

PART NUMBER CODING

S_C02SYAN

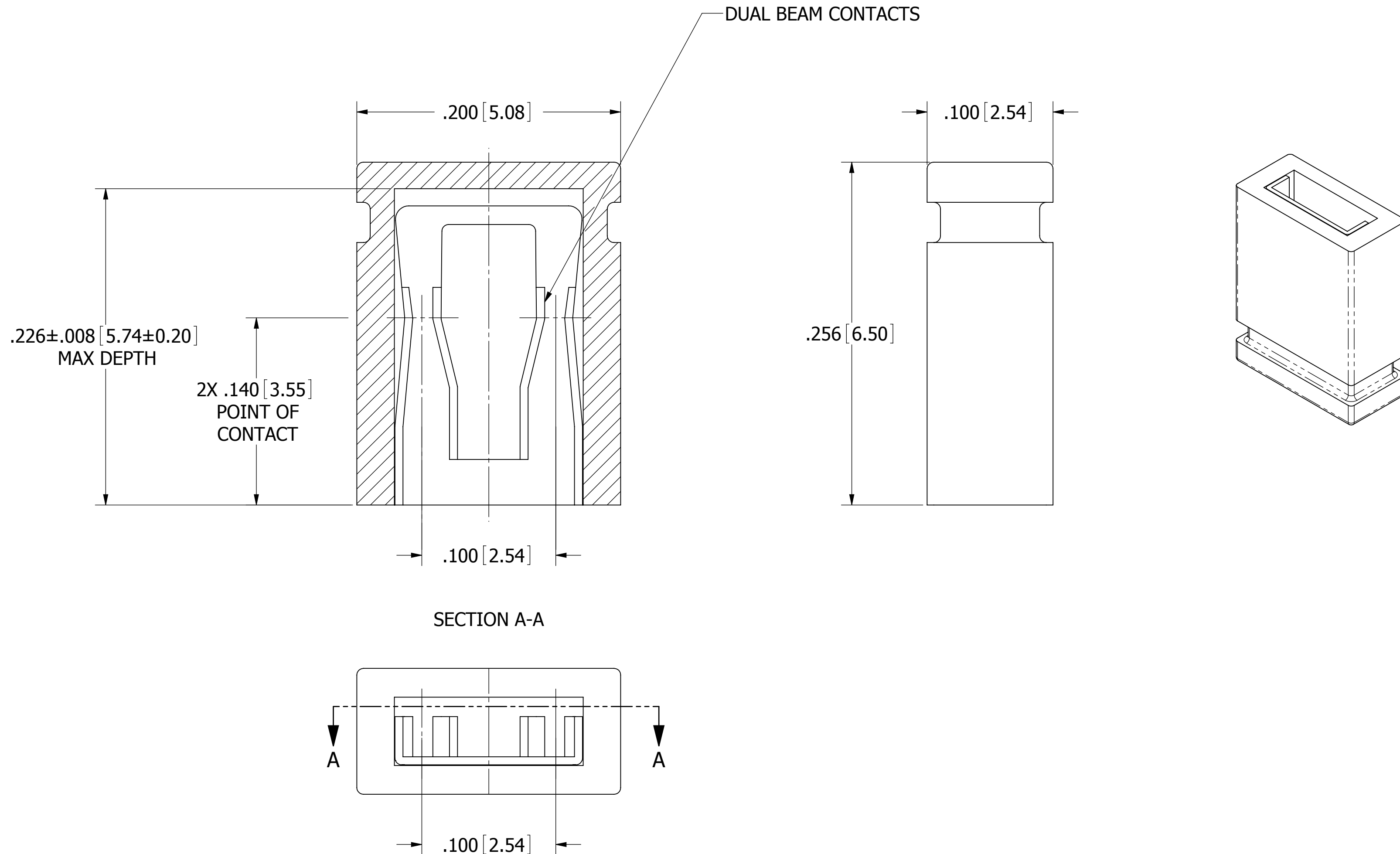
PLATING

T= TIN OVER COPPER UNDERPLATE OVERALL.

P= GOLD FLASH OVER NICKEL UNDERPLATE OVERALL.

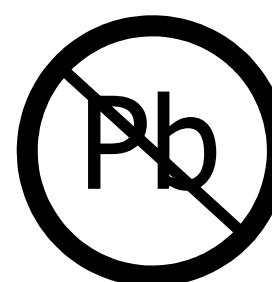
S= 0.000010" GOLD OVER NICKEL UNDERPLATE OVERALL.

REVISIONS				
REV.	ECO. NO	DESCRIPTION	DATE	BY
A	1764	INITIAL RELEASE	07/23/08	ASK
B	1821	UPDATE 'T' & 'P' PLATING, ADD 'S' PLATING, CURRENT RATING 3 AMP WAS 1 AMP, ADD 'DUAL BEAM CONTACTS' TEXT, .226 MAX DEPTH WAS .236, LENGTH .200 WAS .197, WIDTH .100 WAS .094 REMOVE TEXT '-RC' IN P/N CODING	11/4/2008	JH
C	1903	UPDATE TOLERANCE BLOCK, RELOCATE BTM VIEW, SPECIFICATION 20 MILLI OHMS WAS 20 MEGA OHMS	1/23/2009	JH



NOTES:

1. INSULATOR MATERIAL: PBT, BLACK
2. CONTACT MATERIAL: PHOSPHOR BRONZE.
3. PLATING: SEE PART NUMBER CODING.
4. OPERATING TEMPERATURE: -55°C TO +105°C.
5. OPERATING VOLTAGE: 250 VAC MAX.
6. UL FLAMMABILITY RATING: 94V-0.
7. DIELECTRIC WITHSTANDING VOLTAGE: 1000 VAC FOR 1 MINUTE.
8. CURRENT RATING: 3 AMP PER CONTACT.
9. CONTACT RESISTANCE: 20 MILLI OHMS MAX.
10. INSULATION RESISTANCE: 5000 MEGA OHMS.



RoHS COMPLIANT

UNLESS OTHERWISE SPECIFIED:
 DIMENSIONS ARE IN INCHES[MM]
 TOLERANCES:
 ANGULAR: ± 30'
 .XX=± .012 [.30]
 .XXX=± .008 [.20]
 .XXXX=± .004 [.10]
 SURFACE FINISH: 63 R_a
 REMOVE ALL BURRS AND SHARP EDGES .010 MAX

INTERPRET DIMENSIONS AND GEOMETRIC TOLERANCING PER: ANSI Y14.5M-1994

DATE	NAME	
DRAWN 07/23/08	ASK	
THE INFORMATION HEREIN CONTAINS PROPRIETARY INFORMATION OF SULLINS ELECTRONICS AND IS NOT TO BE REPRODUCED, USED OR DISCLOSED TO OTHERS FOR ANY PURPOSE EXCEPT AS SPECIFICALLY AUTHORIZED IN WRITING BY AN OFFICER OF SULLINS ELECTRONICS.		DESCRIPTION MINI SHUNT, CLOSED TOP
PART NUMBER S_C02SYAN		SIZE DWG. NO. C 11134
SCALE: NTS		REV C
SHEET 1 OF 1		