



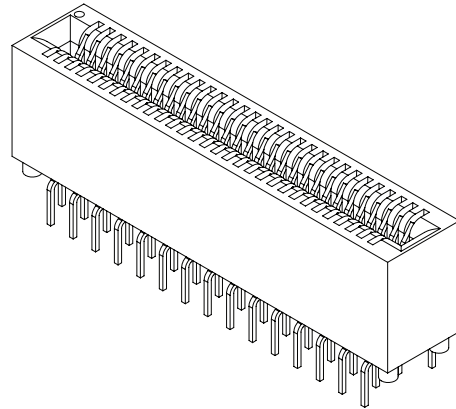
High Density Card Edge

SULLINS

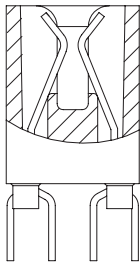
.050" [1.27 mm] Contact Centers, .488" [12.40 mm] Insulator Height, Ultra Thin, Dip Solder/Card Extender/SMT

SPECIFICATIONS

- Accommodates $.062" \pm .008"$ [1.57 mm \pm 0.20 mm] PC board
- PPS or PA9T insulator
- Contact Material: Phosphor Bronze, Beryllium Copper or Spinodal
- Molded-in key available
- 1 Amp current rating per contact for contacts fully energized
- UL Flammability Rating: 94V-0
- Operating Temperature: -65°C up to $+200^{\circ}\text{C}$

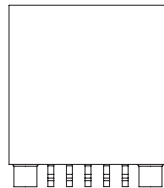


READOUT

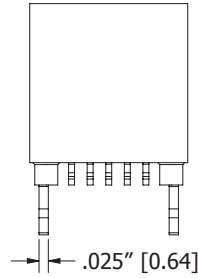


DUAL (D)

MOUNTING STYLE

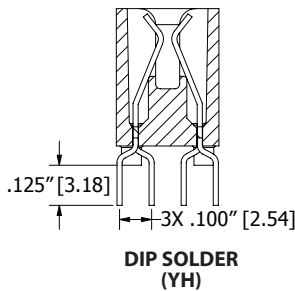


NO MOUNTING EARS (N)

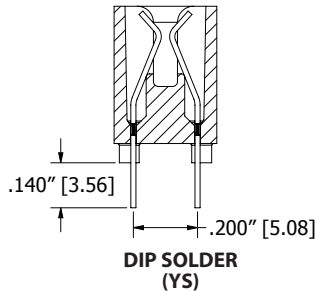


METAL BOARD LOCK (with no mounting ears) (R)

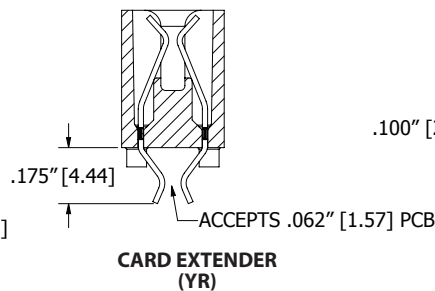
TERMINATION TYPE



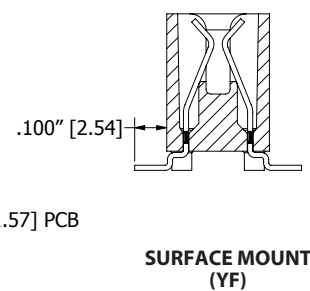
DIP SOLDER (YH)



DIP SOLDER (YS)

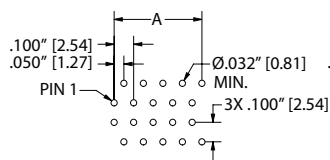


CARD EXTENDER (YR)

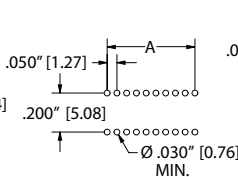


SURFACE MOUNT (YF)

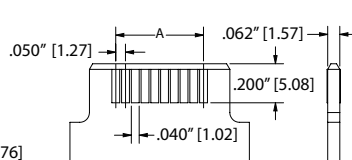
PCB LAYOUT RECOMMENDED



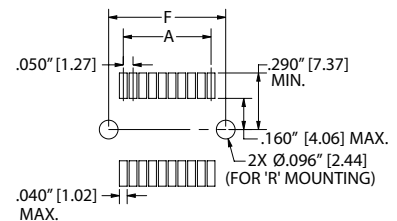
PCB LAYOUT (YH)



PCB LAYOUT (YS)



PCB LAYOUT (YR)



PCB LAYOUT (YF)



PART NUMBER OPTIONS

G C B 20 D YH N - S1355

MATERIALS (INSULATOR/CONTACT)

- R = PPS/Phosphor Bronze
- G = PA9T/Phosphor Bronze
- A = PPS/Beryllium Copper
- J = PA9T/Beryllium Copper
- F = PPS/Spinodal**

Refer to Page 7 for Operating/Processing Temperatures

CONTACT FINISH - RoHS Compliant

All platings are Lead Free and have .000050" Nickel underplate

Contact Surface	Termination
B = .000010" Gold	.000100" Pure Tin, Matte
C = .000030" Gold	.000100" Pure Tin, Matte
M = .000030" Gold	.000010" Gold Overall

CONTACT CENTERS

B = .050" [1.27 mm]

NUMBER OF CONTACT POSITIONS

See Chart Below

MODIFICATION CODE (Consult Factory)

- S1355 = for YH Termination Only
- S1675 = for YS, YR & YF Terminations

MOUNTING STYLE

- N = No Mounting
- R = Metal Board Locks
(for YF Termination Only)

TERMINATION TYPE (See Opposite Page)

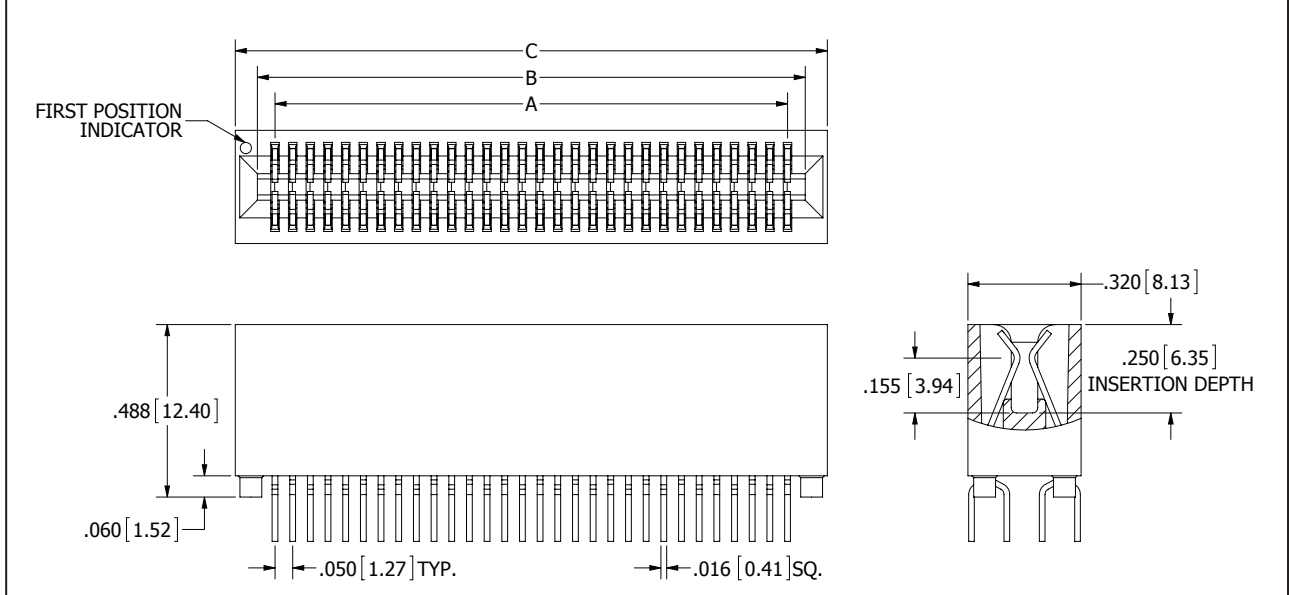
- YH = Dip Solder, Alternate Bent In & Out
- YS = Dip Solder
- YR = Card Extender
- YF = Surface Mount

READOUT

- D = Dual

**Consult factory for special soldering guidelines. 'M' plating only.

DIMENSIONS Dimensions in [] are in millimeters, all others are in inches.



POSITIONS/ CONTACTS	INCHES				MILLIMETERS			
	A±.005	B±.005	C±.015	F±.010	A±0.13	B±0.13	C±0.38	F±0.25
5/10	0.200	0.300	0.425	0.350	5.08	7.62	10.80	8.89
6/12*	0.250	0.350	0.475	0.400	6.35	8.89	12.07	10.16
10/20*	0.450	0.550	0.675	0.600	11.43	13.97	17.15	15.24
15/30	0.700	0.800	0.925	0.850	17.78	20.32	23.50	21.59
20/40	0.950	1.050	1.175	1.100	24.13	26.67	29.85	27.94
25/50*	1.200	1.300	1.425	1.350	30.48	33.02	36.20	34.29
30/60	1.450	1.550	1.675	1.600	36.83	39.37	42.55	40.64
40/80	1.950	2.050	2.175	2.100	49.53	52.07	55.25	53.34
50/100	2.450	2.550	2.675	2.600	62.23	64.77	67.95	66.04
79/158	3.900	4.000	4.125	4.050	99.06	101.60	104.78	102.87

*Consult factory for availability.