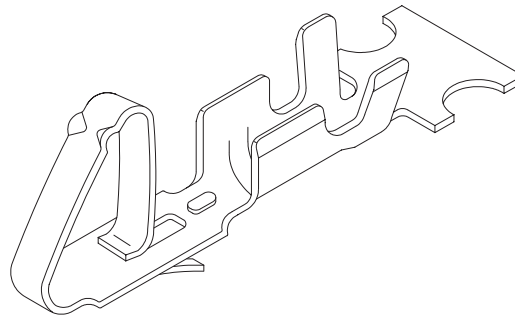




SWT25X Series Crimp Terminal

SPECIFICATIONS

- Material: See Part Number Options
- Plating: See Part Number Options
- Contact Resistance: 20 milli Ohms Max
- Current Rating: 3 Amps
- Wire Range: AWG #20 - #26
- Insulation O.D.: Ø1.35 mm ~ Ø1.90 mm
- Quantity Per Reel = 10,000 Pieces
- Used In SWH25X Series Housing



PART NUMBER OPTIONS

SWT25X-URTC-S01-UU-UU

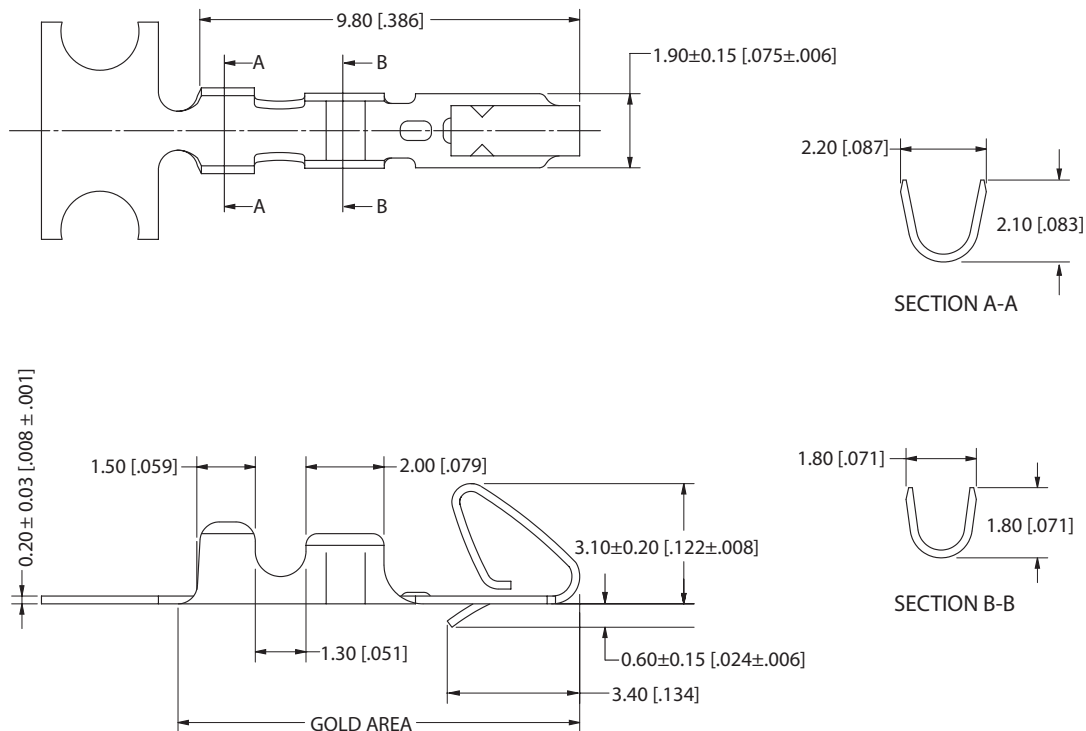
MATERIAL & PLATING

RT = Brass, .000015" Min Nickel Underplate, .000040" Min Pure Tin, Bright Overall

PT = Phosphor Bronze, .000015" Min Nickel Underplate, .000040" Min Pure Tin, Bright Overall

RP = Brass, .000040" Min Nickel Underplate, Gold Flash Overall

DIMENSIONS Dimensions in [] are in inches, all others are in millimeters.

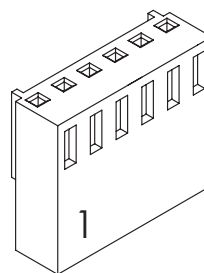




SWH25X Series Housing 2.54 mm [.100"] Contact Centers

SPECIFICATIONS

- Insulator Material: Nylon, UL 94V-2 Color: Beige
- Dielectric Withstanding Voltage: 1000 VAC
- Insulator Resistance: 1000 Megohms Minimum
- Operating Temperature: -25°C to +85°C
- Voltage Rating: 250 VAC/DC
- Suitable for SWH25X Series Terminal
- Mates with SWR25X Series Single Row Wafer



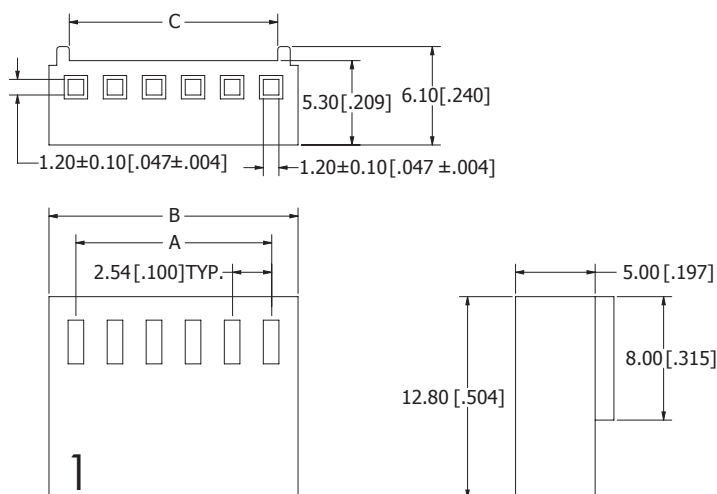
PART NUMBER OPTIONS

SWH25X-NULC-S16-UU-BA

NUMBER OF POSITIONS

02 thru 20

DIMENSIONS Dimensions in [] are in inches, all others are in millimeters.



PART NUMBER	POSITIONS/ CONTACTS	A		B		C	
		mm	in	mm	in	mm	in
SWH25X-NULC-S02-UU-BA	02/02	2.54	0.100	5.79	0.228	3.07	0.121
SWH25X-NULC-S03-UU-BA	03/03	5.08	0.200	8.33	0.328	5.61	0.221
SWH25X-NULC-S04-UU-BA	04/04	7.62	0.300	10.87	0.428	8.15	0.321
SWH25X-NULC-S05-UU-BA	05/05	10.16	0.400	13.41	0.528	10.69	0.421
SWH25X-NULC-S06-UU-BA	06/06	12.70	0.500	15.95	0.628	13.23	0.521
SWH25X-NULC-S07-UU-BA	07/07	15.24	0.600	18.49	0.728	15.77	0.621
SWH25X-NULC-S08-UU-BA	08/08	17.78	0.700	21.03	0.828	18.31	0.721
SWH25X-NULC-S09-UU-BA	09/09	20.32	0.800	23.57	0.928	20.85	0.821
SWH25X-NULC-S10-UU-BA	10/10	22.86	0.900	26.11	1.028	23.39	0.921
SWH25X-NULC-S11-UU-BA	11/11	25.40	1.000	28.65	1.128	25.93	1.021
SWH25X-NULC-S12-UU-BA	12/12	27.94	1.100	31.19	1.228	28.47	1.121
SWH25X-NULC-S13-UU-BA	13/13	30.48	1.200	33.73	1.328	31.01	1.221
SWH25X-NULC-S14-UU-BA	14/14	33.02	1.300	36.27	1.428	33.55	1.321
SWH25X-NULC-S15-UU-BA	15/15	35.56	1.400	38.81	1.528	36.09	1.421
SWH25X-NULC-S16-UU-BA	16/16	38.10	1.500	41.35	1.628	38.63	1.521
SWH25X-NULC-S17-UU-BA	17/17	40.64	1.600	43.89	1.728	41.17	1.621
SWH25X-NULC-S18-UU-BA	18/18	43.18	1.700	46.43	1.828	43.71	1.721
SWH25X-NULC-S19-UU-BA	19/19	45.72	1.800	48.97	1.928	46.25	1.821
SWH25X-NULC-S20-UU-BA	20/20	48.26	1.900	51.51	2.028	48.79	1.921