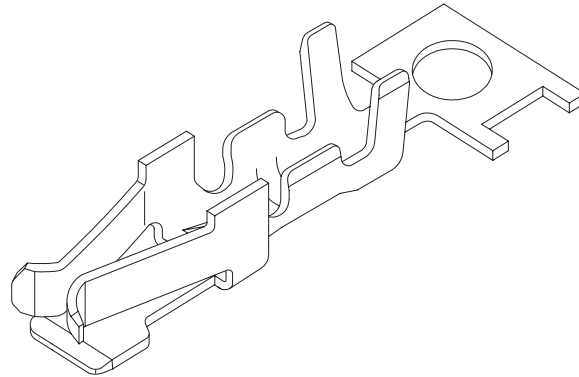




SWT204 Series Crimp Terminal

SPECIFICATIONS

- Material: Phosphor Bronze
- Plating: See Part Number Options
- Contact Resistance: 10 milli Ohms Max
- Current Rating: 3 Amps
- Wire Range: AWG #22 - #26
- Insulation O.D.: Ø1.35mm ~ Ø1.70mm
- Quantity Per Reel = 10,000 Pieces
- Used In SWH204 Series Housing



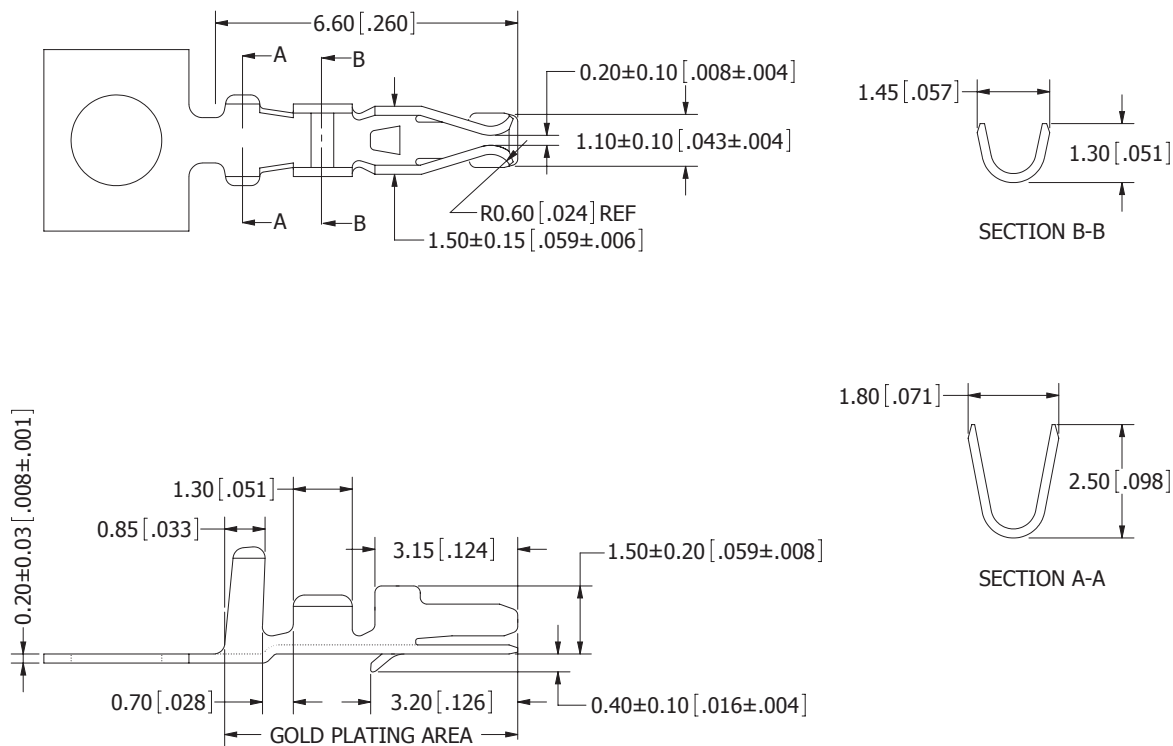
PART NUMBER OPTIONS

SWT204-UPTN-S01-UU-UU

CONTACT FINISH - RoHS Compliant

T = .000015" Min Nickel Underplate, .000040" Min Pure Tin, Bright Overall
 P = .000040" Min Nickel Underplate, Gold Flash Overall

DIMENSIONS Dimensions in [] are in inches, all others are in millimeters.



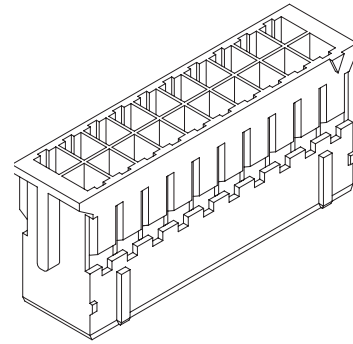
Sullins Wafers



SWH204 Series Housing 2.00 mm [.079"] Contact Centers

SPECIFICATIONS

- Insulator Material: Nylon, UL 94V-0 Color: White
- Dielectric Withstanding Voltage: 800 VAC
- Insulator Resistance: 1000 Megohms Minimum
- Operating Temperature: -25°C to +85°C
- Voltage Rating: 50 VAC/DC
- Suitable for SWT204 Series Terminal
- Mates with SWR204 Series Dual Row Wafer

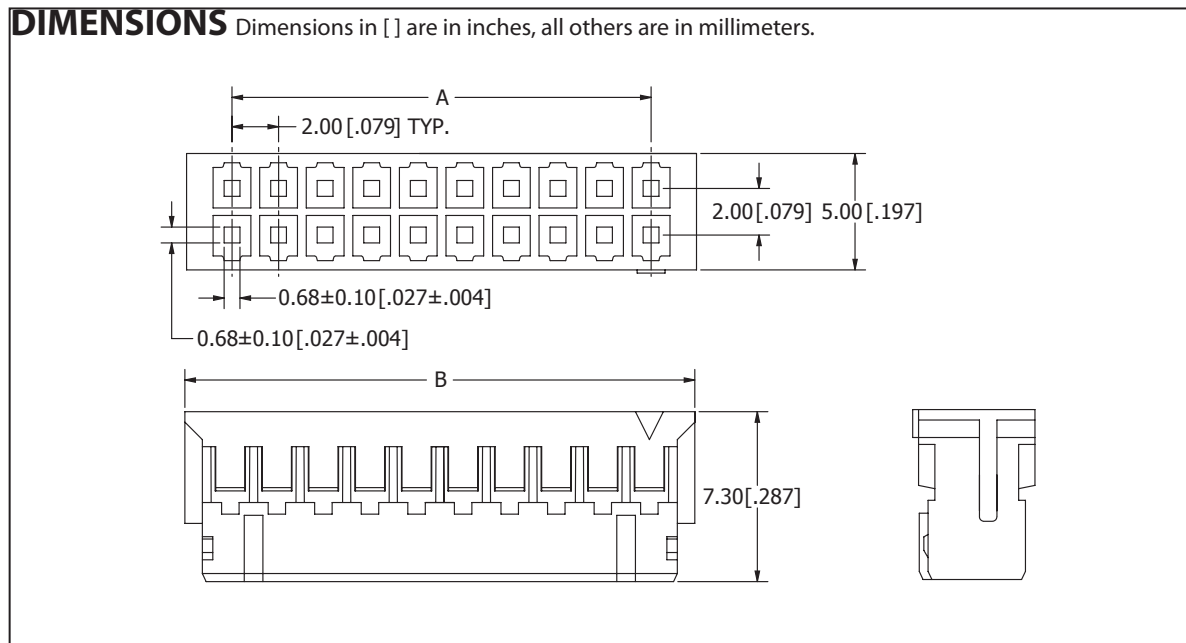


PART NUMBER OPTIONS

SWH204-NULN-D16-UU-WH

NUMBER OF POSITIONS

02 thru 17 & 20
See Chart Below



PART NUMBER	POSITIONS/ CONTACTS	A		B	
		mm	in	mm	in
SWH204-NULN-D02-UU-WH	02/04	2.00	0.079	5.90	0.232
SWH204-NULN-D03-UU-WH	03/06	4.00	0.157	7.90	0.311
SWH204-NULN-D04-UU-WH	04/08	6.00	0.236	9.90	0.390
SWH204-NULN-D05-UU-WH	05/10	8.00	0.315	11.90	0.469
SWH204-NULN-D06-UU-WH	06/12	10.00	0.394	13.90	0.547
SWH204-NULN-D07-UU-WH	07/14	12.00	0.472	15.90	0.626
SWH204-NULN-D08-UU-WH	08/16	14.00	0.551	17.90	0.705
SWH204-NULN-D09-UU-WH	09/18	16.00	0.630	19.90	0.783
SWH204-NULN-D10-UU-WH	10/20	18.00	0.709	21.90	0.862
SWH204-NULN-D11-UU-WH	11/22	20.00	0.787	23.90	0.941
SWH204-NULN-D12-UU-WH	12/24	22.00	0.866	25.90	1.020
SWH204-NULN-D13-UU-WH	13/26	24.00	0.945	27.90	1.098
SWH204-NULN-D14-UU-WH	14/28	26.00	1.024	29.90	1.177
SWH204-NULN-D15-UU-WH	15/30	28.00	1.102	31.90	1.256
SWH204-NULN-D16-UU-WH	16/32	30.00	1.181	33.90	1.335
SWH204-NULN-D17-UU-WH	17/34	32.00	1.260	35.90	1.413
SWH204-NULN-D20-UU-WH	20/40	38.00	1.496	41.90	1.650