



**Sullins Wafer**

SWT201 Series Crimp Terminal ----- 53

SWH201 Series Housing 2.0mm[.079"] CC ----- 54

SWR201 Series Single Row Wafer 2.0mm [.079"] CC ----- 55-56

SWT204 Series Crimp Terminal ----- 57

SWH204 Series Housing 2.0mm[.079"] CC ----- 58

SWR204 Series Dual Row Wafer 2.0mm [.079"] CC, Straight/Right Angle ----- 59-60

SWT25X Series Crimp Terminal ----- 61

SWH25X Series Housing 2.54mm [.100"] CC ----- 62

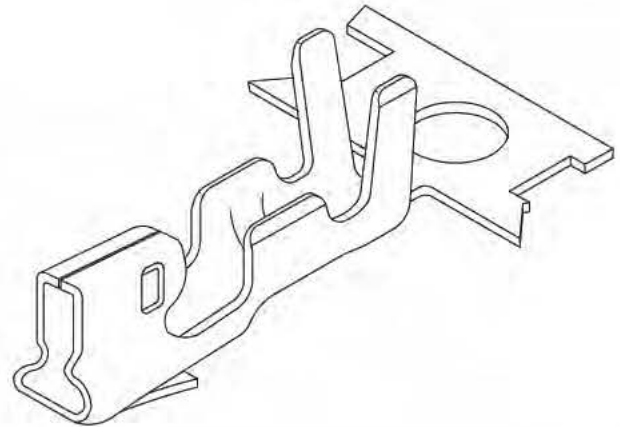
SWR25X Series Single Row Wafer 2.54mm [.100"] CC, Straight/Right Angle ----- 63-64



### SWT 201 Series Crimp Terminal

#### SPECIFICATIONS

- Material: Phosphor Bronze.
- Plating: See Part Number Coding.
- Wire Range: AWG #24 - #28.
- Insulation O.D.:  $\phi 1.20\text{mm} \sim \phi 1.50\text{mm}$ .
- Quantity Per Reel = 10,000 Pieces.
- Used In SWH201 SERIES Housing.
- Plating Before Stamping/Forming.



#### PART NUMBER CODING

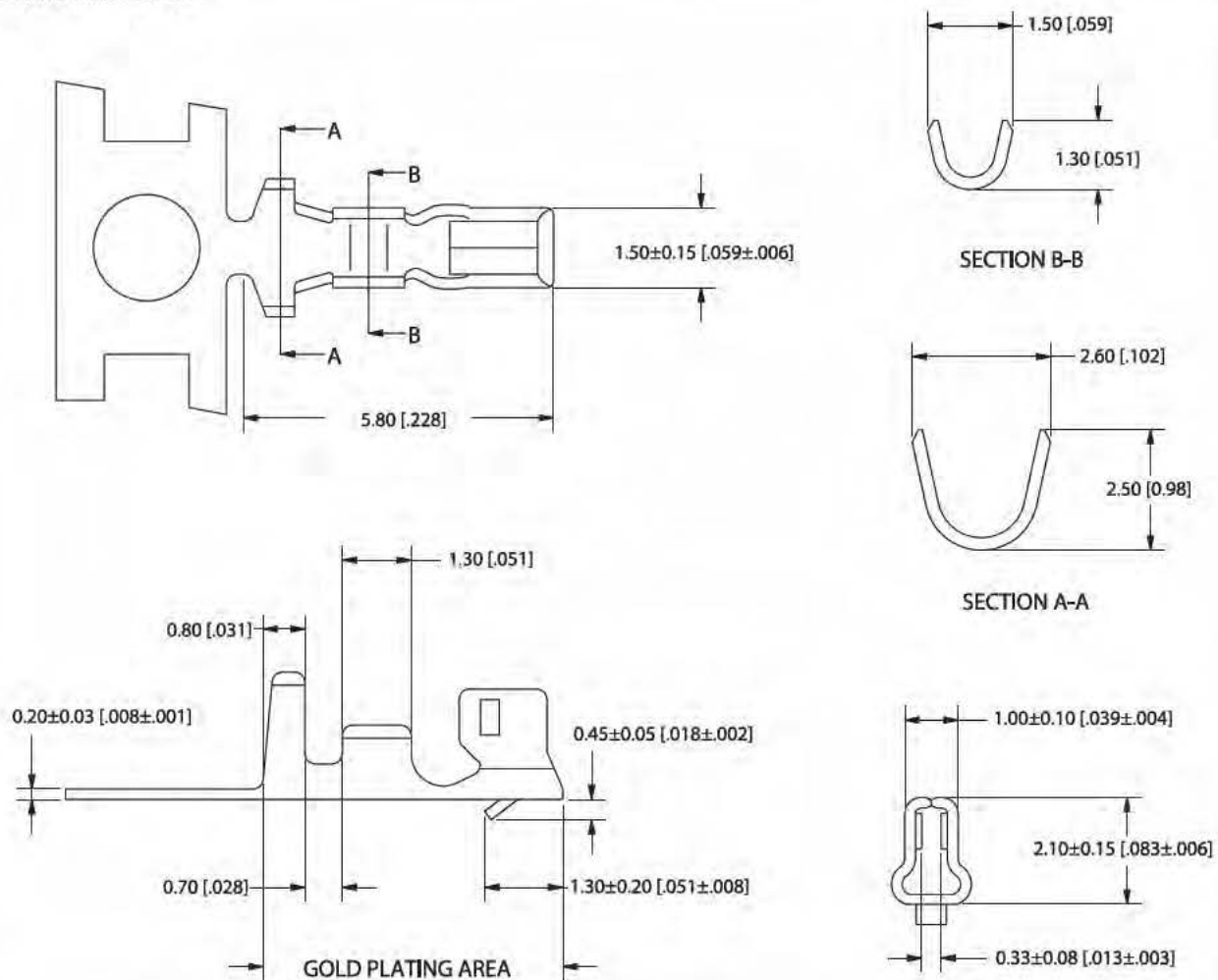
SWT201-UP\_N-S01-UU-UU

Plating

T= .000015" Min Nickel Underplate, .000040" Min Pure Tin, Bright Overall.

P= .000040" Min Nickel Underplate, Gold Flash Overall.

#### DIMENSIONS

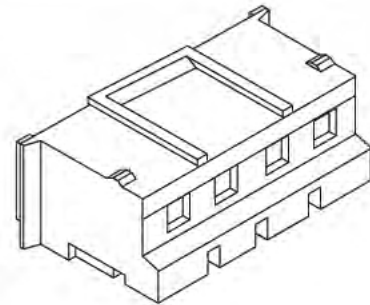




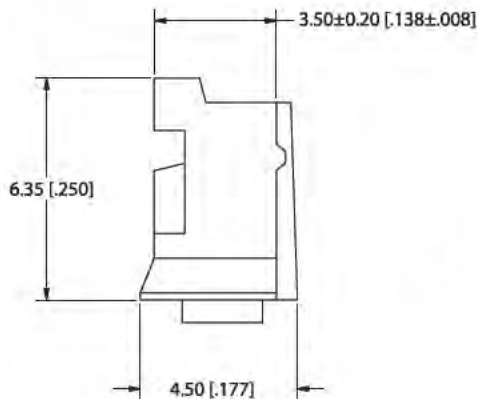
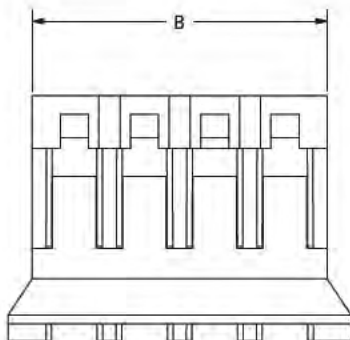
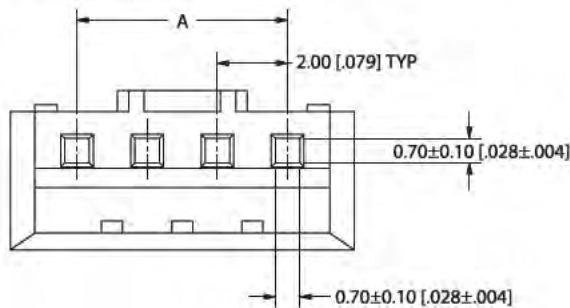
**SWH201 Series Housing 2.0mm[.079"] CC**

**SPECIFICATIONS**

- Insulator Material: Nylon 66, UL 94V-0 Color: White.
- Contact Resistance: 20m OHMs Max.
- Current Rating: 1 AMP per contact
- Dielectric WithStanding: 800 V AC.
- Insulation Resistance: 1000 Mega OHMS
- Operating Temperature: -25° C TO +85° C.
- Voltage Rating: 125V AC/DC.
- SUITABLE FOR SWT201 SERIES TERMINAL.
- MATES WITH SWR201 SERIES SINGLE ROW WAFER.



**DIMENSIONS**



**PART NUMBER CODING**

**SWH201-NULN-S -UU-WH**

Number Of Positions  
(Contact Per row)

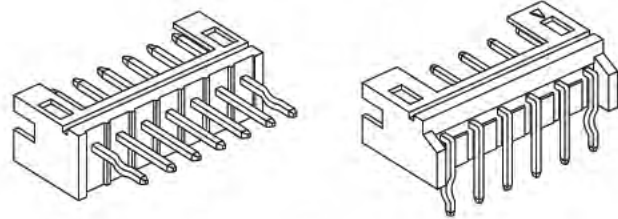
Part Number	Positions/ Contacts	A		B	
		mm	inch	mm	inch
SWH201-NULN-S02-UU-WH	02/02	2.00	0.079	4.40	0.173
SWH201-NULN-S03-UU-WH	03/03	4.00	0.157	6.40	0.252
SWH201-NULN-S04-UU-WH	04/04	6.00	0.236	8.40	0.331
SWH201-NULN-S05-UU-WH	05/05	8.00	0.315	10.40	0.409
SWH201-NULN-S06-UU-WH	06/06	10.00	0.394	12.40	0.488
SWH201-NULN-S07-UU-WH	07/07	12.00	0.472	14.40	0.567
SWH201-NULN-S08-UU-WH	08/08	14.00	0.551	16.40	0.646
SWH201-NULN-S09-UU-WH	09/09	16.00	0.630	18.40	0.724
SWH201-NULN-S10-UU-WH	10/10	18.00	0.709	20.40	0.803
SWH201-NULN-S11-UU-WH	11/11	20.00	0.787	22.40	0.882
SWH201-NULN-S12-UU-WH	12/12	22.00	0.866	24.40	0.961
SWH201-NULN-S13-UU-WH	13/13	24.00	0.945	26.40	1.039
SWH201-NULN-S14-UU-WH	14/14	26.00	1.024	28.40	1.118
SWH201-NULN-S15-UU-WH	15/15	28.00	1.102	30.40	1.197
SWH201-NULN-S16-UU-WH	16/16	30.00	1.181	32.40	1.276



**SWR201 Series Single Row Wafer 2.0mm [.079"] CC, SMT**

**SPECIFICATIONS**

- Insulator Material: Nylon 66, UL 94V-0
- Contact Resistance: 20m OHMs Max.
- Contact Plating: .000020" Min. Nickel Underplate, Pure Tin, Bright Overall.
- Current Rating: 1 AMP per contact
- Dielectric WithStanding: 800 V AC.
- Insulation Resistance: 1000 Mega OHMS
- Operating Temperature: -25° C TO +85° C.
- Voltage Rating: 125V AC/DC.
- MATES WITH SWH201 SERIES SINGLE ROW WAFER.



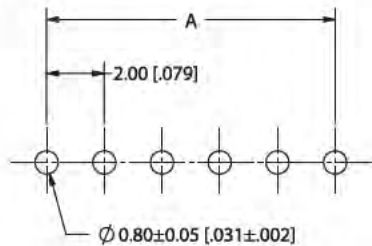
**PART NUMBER CODING**

**SWR201-NRTN-S - -WH**

Number Of Positions  
(Contact Per row)

Termination Type  
SA= End Pins Kink Right  
RL= Right Angle With Kinked End Pins

**RECOMMENDED PCB LAYOUT**

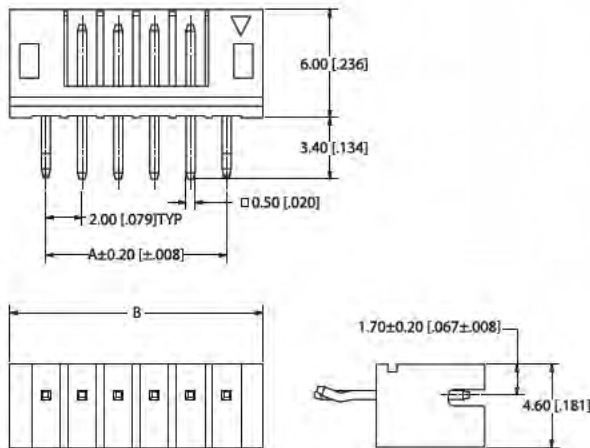


P.C. BOARD THICKNESS: 0.80 ~ 1.60mm [.031" ~ .063"]

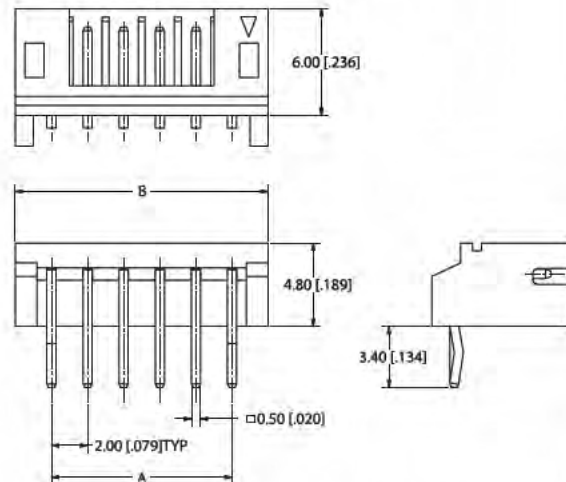
Part Number	Positions/ Contacts	A		B	
		mm	inch	mm	inch
SWR201-NRTN-S02- -WH	02/02	2.00	0.079	5.90	0.232
SWR201-NRTN-S03- -WH	03/03	4.00	0.157	7.90	0.311
SWR201-NRTN-S04- -WH	04/04	6.00	0.236	9.90	0.390
SWR201-NRTN-S05- -WH	05/05	8.00	0.315	11.90	0.469
SWR201-NRTN-S06- -WH	06/06	10.00	0.394	13.90	0.547
SWR201-NRTN-S07- -WH	07/07	12.00	0.472	15.90	0.626
SWR201-NRTN-S08- -WH	08/08	14.00	0.551	17.90	0.705
SWR201-NRTN-S09- -WH	09/09	16.00	0.630	19.90	0.783
SWR201-NRTN-S10- -WH	10/10	18.00	0.709	21.90	0.862
SWR201-NRTN-S11- -WH	11/11	20.00	0.787	23.90	0.941
SWR201-NRTN-S12- -WH	12/12	22.00	0.866	25.90	1.020
SWR201-NRTN-S13- -WH	13/13	24.00	0.945	27.90	1.098
SWR201-NRTN-S14- -WH	14/14	26.00	1.024	29.90	1.177
SWR201-NRTN-S15- -WH	15/15	28.00	1.102	31.90	1.256
SWR201-NRTN-S16- -WH	16/16	30.00	1.181	33.90	1.335

**DIMENSIONS**

SWR201-NRTN-Sxx -SA-WH



SWR201-NRTN-Sxx -RL-WH

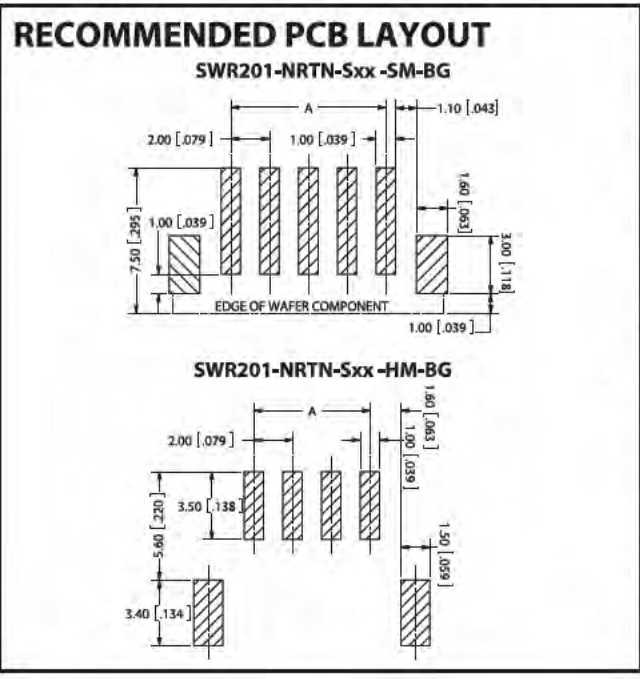
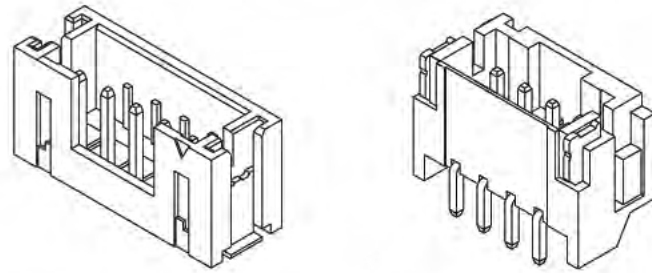




**SWR201 Series Single Row Wafer 2.0mm [.079"] CC, SMT**

**SPECIFICATIONS**

- Insulator Material: Nylon 66, UL 94V-0
- Contact Resistance: 20m OHMs Max.
- Contact Plating: .000020" Min. Nickel Underplate, Pure Tin, Bright Overall.
- Current Rating: 1 AMP per contact
- Dielectric Withstanding: 800 V AC.
- Insulation Resistance: 1000 Mega OHMS
- Operating Temperature: -25° C TO +85° C.
- Voltage Rating: 125V AC/DC.
- MATES WITH SWH201 SERIES SINGLE ROW WAFER.



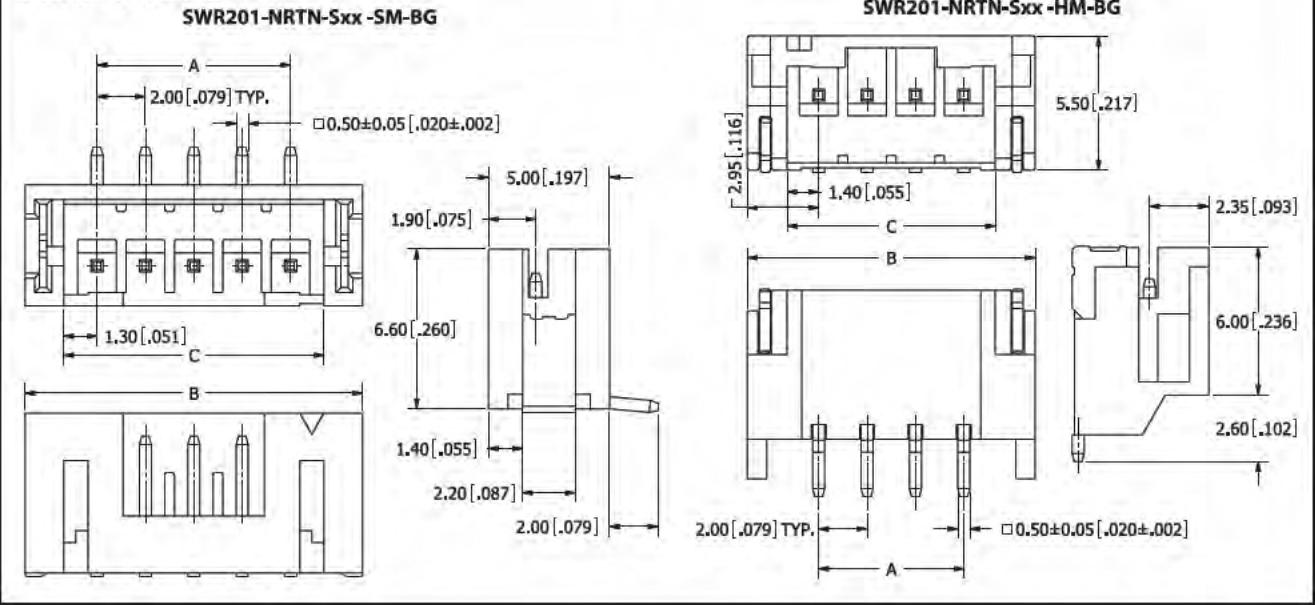
**PART NUMBER CODING**

**SWR201-NRTN-S - -BG**

Number Of Positions \_\_\_\_\_ Termination Type  
(Contact Per row) SM = Surface Mount  
HM = Horizontal Surface Mount

Part Number	Positions/ Contacts	A		B		C	
		mm	inch	mm	inch	mm	inch
SWR201-NRTN-S02-__-BG	02/02	2.00	0.079	8.00	0.315	4.60	0.181
SWR201-NRTN-S03-__-BG	03/03	4.00	0.157	10.00	0.394	4.80	0.189
SWR201-NRTN-S04-__-BG	04/04	6.00	0.236	12.00	0.472	6.60	0.260
SWR201-NRTN-S05-__-BG	05/05	8.00	0.315	14.00	0.551	6.80	0.268
SWR201-NRTN-S06-__-BG	06/06	10.00	0.394	16.00	0.630	8.60	0.339
SWR201-NRTN-S07-__-BG	07/07	12.00	0.472	18.00	0.709	8.80	0.346
SWR201-NRTN-S08-__-BG	08/08	14.00	0.551	20.00	0.787	10.60	0.417
SWR201-NRTN-S09-__-BG	09/09	16.00	0.630	22.00	0.866	10.80	0.425
SWR201-NRTN-S10-__-BG	10/10	18.00	0.709	24.00	0.945	12.60	0.496
SWR201-NRTN-S11-__-BG	11/11	20.00	0.787	26.00	1.024	12.80	0.504
SWR201-NRTN-S12-__-BG	12/12	22.00	0.866	28.00	1.102	14.60	0.575
SWR201-NRTN-S13-__-BG	13/13	24.00	0.945	30.00	1.181	14.80	0.583
SWR201-NRTN-S14-__-BG	14/14	26.00	1.024	32.00	1.260	16.60	0.654
SWR201-NRTN-S15-__-BG	15/15	28.00	1.102	34.00	1.339	16.80	0.661
SWR201-NRTN-S16-__-BG	16/16	30.00	1.181	36.00	1.417	18.60	0.732
						18.80	0.740
						20.60	0.811
						20.80	0.819
						22.60	0.890
						22.80	0.898
						24.60	0.969
						24.80	0.976
						26.60	1.047
						26.80	1.055
						28.60	1.126
						28.80	1.134
						30.60	1.205
						30.80	1.213
						32.60	1.283
						32.80	1.291

**DIMENSIONS**

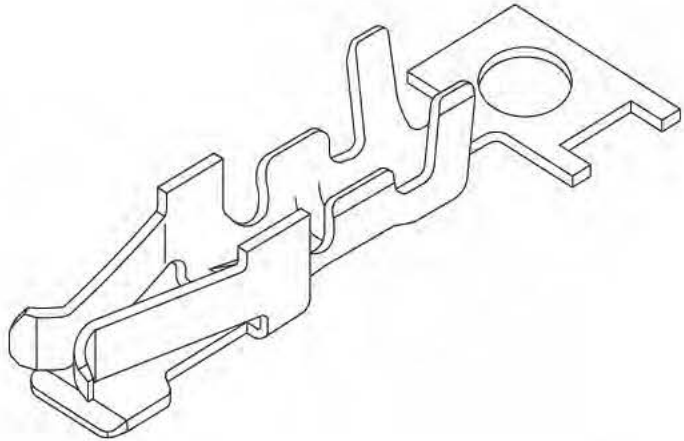




### SWT 204 Series Crimp Terminal

#### SPECIFICATIONS

- Material: Phosphor Bronze.
- Plating: See Part Number Coding.
- Wire Range: AWG #22 - #26.
- Insulation O.D.:  $\phi 1.35\text{mm} \sim \phi 1.70\text{mm}$ .
- Quantity Per Reel = 10,000 Pieces.
- Used In SWH204 SERIES Housing.
- Plating Before Stamping/Forming.



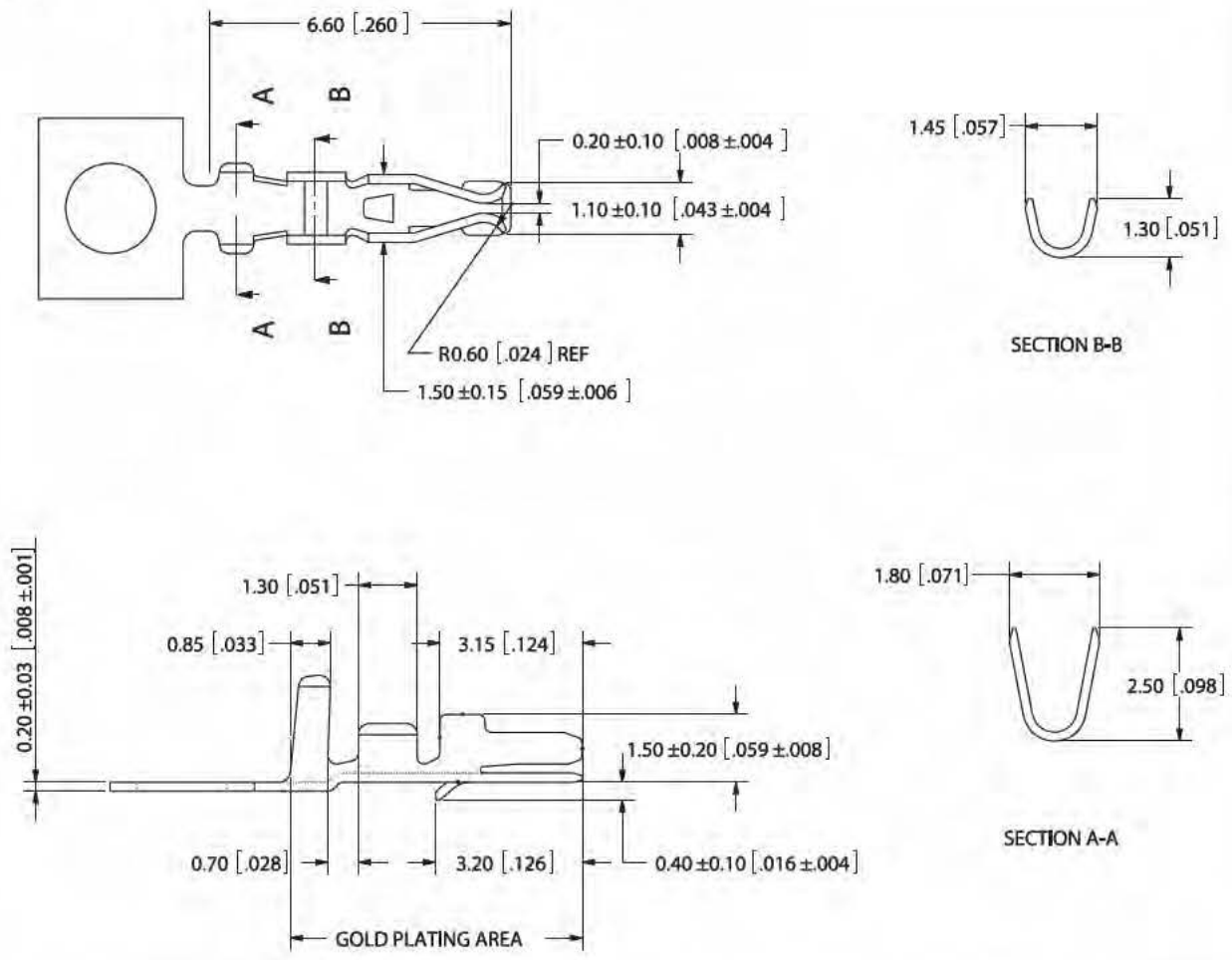
#### PART NUMBER CODING

SWT204-UP N-S01-UU-UU

Plating

T= .000015" Min Nickel Underplate, .000040" Min Pure Tin, Bright Overall.  
P= .000040" Min Nickel Underplate, Gold Flash Overall.

#### DIMENSIONS

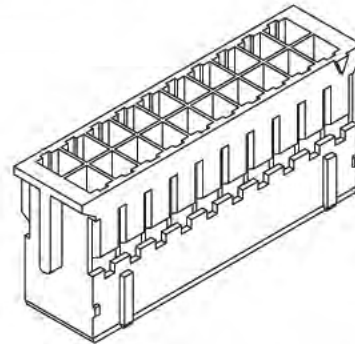




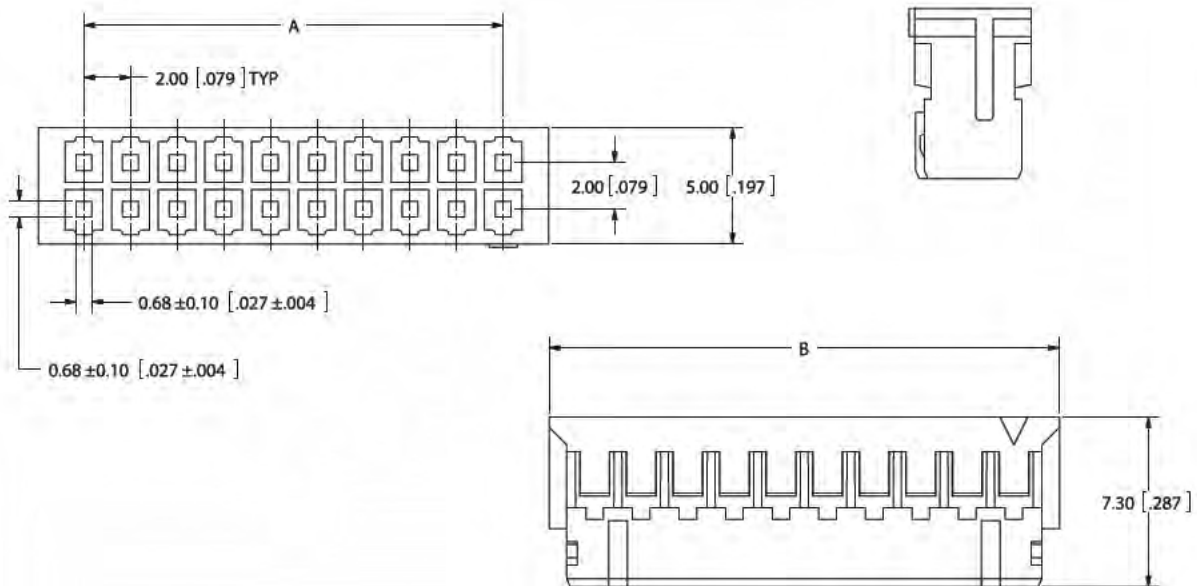
**SWH204 Series Housing 2.0mm[.079"] CC**

**SPECIFICATIONS**

- Insulator Material: Nylon 66, UL 94V-0 Color: White.
- Contact Resistance: 10m OHMs Max.
- Current Rating: 3 AMP per contact
- Dielectric WithStanding: 800 V AC.
- Insulation Resistance: 1000 Mega OHMS
- Operating Temperature: -25° C TO +85° C.
- Voltage Rating: 50V AC/DC.
- Suitable for SWH204 Series Terminal.
- Mates with SWR204 Series Dual Row Wafer.



**DIMENSIONS**



**PART NUMBER CODING**  
SWH204-NULN-S -UU-WH

Number Of Positions  
(Contact Per row)

Part Number	Positions/ Contacts	A		B	
		mm	inch	mm	inch
SWH204-NULN-D02-UU-WH	02/04	2.00	0.079	5.90	0.232
SWH204-NULN-D03-UU-WH	03/06	4.00	0.157	7.90	0.311
SWH204-NULN-D04-UU-WH	04/08	6.00	0.236	9.90	0.390
SWH204-NULN-D05-UU-WH	05/10	8.00	0.315	11.90	0.469
SWH204-NULN-D06-UU-WH	06/12	10.00	0.394	13.90	0.547
SWH204-NULN-D07-UU-WH	07/14	12.00	0.472	15.90	0.626
SWH204-NULN-D08-UU-WH	08/16	14.00	0.551	17.90	0.705
SWH204-NULN-D09-UU-WH	09/18	16.00	0.630	19.90	0.783
SWH204-NULN-D10-UU-WH	10/20	18.00	0.709	21.90	0.862
SWH204-NULN-D11-UU-WH	11/22	20.00	0.787	23.90	0.941
SWH204-NULN-D12-UU-WH	12/24	22.00	0.866	25.90	1.020
SWH204-NULN-D13-UU-WH	13/26	24.00	0.945	27.90	1.098
SWH204-NULN-D14-UU-WH	14/28	26.00	1.024	29.90	1.177
SWH204-NULN-D15-UU-WH	15/30	28.00	1.102	31.90	1.256
SWH204-NULN-D16-UU-WH	16/32	30.00	1.181	33.90	1.335
SWH204-NULN-D17-UU-WH	17/34	32.00	1.260	35.90	1.413
SWH204-NULN-D20-UU-WH	20/40	38.00	1.496	41.90	1.650

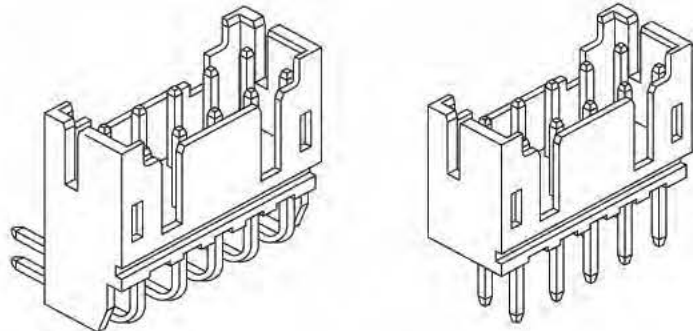
Sullins Wafers



**SWR204 Series Dual Row Wafer 2.0mm [.079"] CC, Straight/Right Angle**

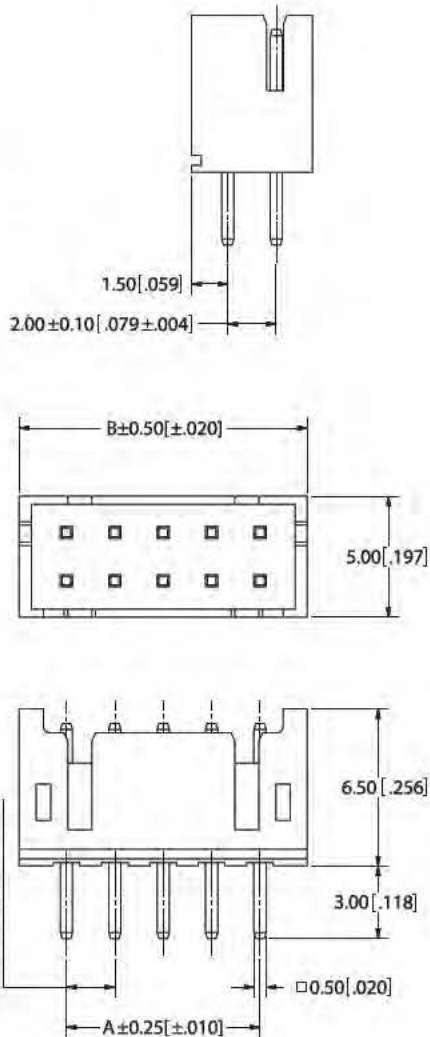
**SPECIFICATIONS**

- Insulator Material: Nylon 66, UL 94V-0
- Contact Resistance: 10m OHMs Max.
- Contact Plating: .000020" Min. Nickel Underplate, Pure Tin, Bright Overall.
- Current Rating: 3 AMP per contact
- Dielectric WithStanding: 800 V AC.
- Insulation Resistance: 1000 Mega OHMS
- Operating Temperature: -25° C TO +85° C.
- Voltage Rating: 50V AC/DC.
- Mates with SWH204 Series Dual Row Housing.

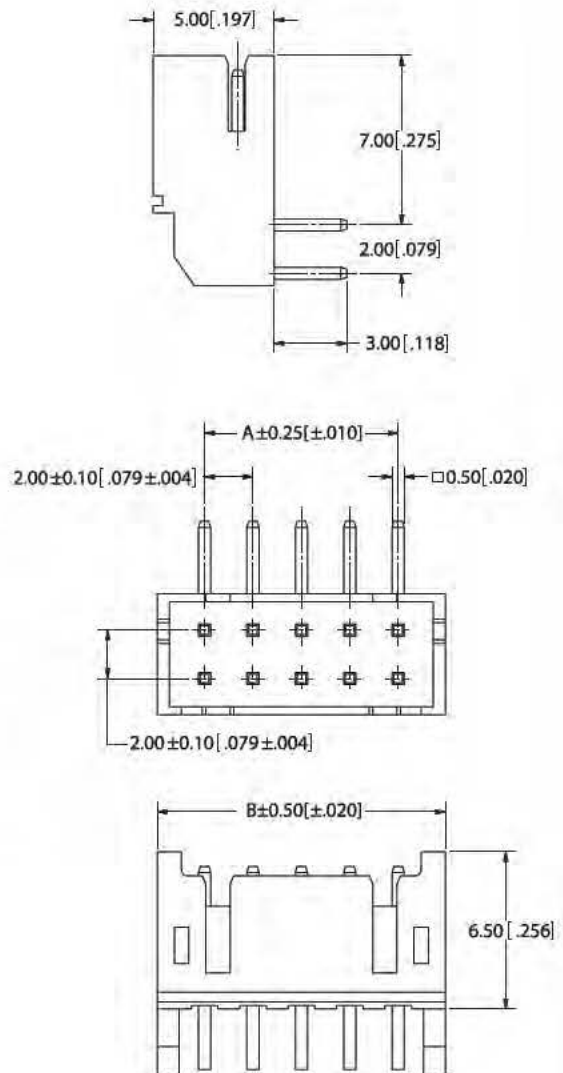


**DIMENSIONS**

SWR204-NRTN-Dxx -ST-GA



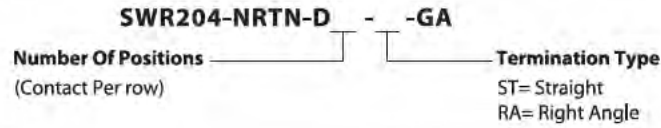
SWR204-NRTN-Dxx -RA-GA



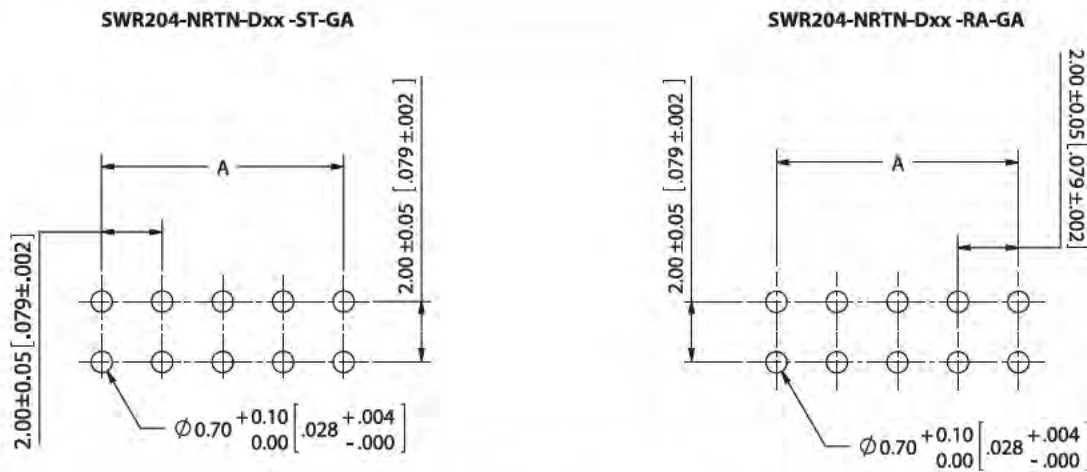


**SWR204 Series Dual Row Wafer 2.0mm [.079"] CC, Straight/Right Angle**

**PART NUMBER CODING**



**RECOMMENDED PCB LAYOUT**



P.C. BOARD THICKNESS: 0.80 ~ 1.60mm [.031" ~ .063"]

Part Number	Positions/Contacts	A		B	
		mm	inch	mm	inch
SWR204-NRTN-D02-__-GA	02/04	2.00	0.079	5.90	0.232
SWR204-NRTN-D03-__-GA	03/06	4.00	0.157	7.90	0.311
SWR204-NRTN-D04-__-GA	04/08	6.00	0.236	9.90	0.390
SWR204-NRTN-D05-__-GA	05/10	8.00	0.315	11.90	0.469
SWR204-NRTN-D06-__-GA	06/12	10.00	0.394	13.90	0.547
SWR204-NRTN-D07-__-GA	07/14	12.00	0.472	15.90	0.626
SWR204-NRTN-D08-__-GA	08/16	14.00	0.551	17.90	0.705
SWR204-NRTN-D09-__-GA	09/18	16.00	0.630	19.90	0.783
SWR204-NRTN-D10-__-GA	10/20	18.00	0.709	21.90	0.862
SWR204-NRTN-D11-__-GA	11/22	20.00	0.787	23.90	0.941
SWR204-NRTN-D12-__-GA	12/24	22.00	0.866	25.90	1.020
SWR204-NRTN-D13-__-GA	13/26	24.00	0.945	27.90	1.098
SWR204-NRTN-D14-__-GA	14/28	26.00	1.024	29.90	1.177
SWR204-NRTN-D15-__-GA	15/30	28.00	1.102	31.90	1.256
SWR204-NRTN-D16-__-GA	16/32	30.00	1.181	33.90	1.335
SWR204-NRTN-D17-__-GA	17/34	32.00	1.260	35.90	1.413
SWR204-NRTN-D20-__-GA	20/40	38.00	1.496	41.90	1.650

Sullins Wafers

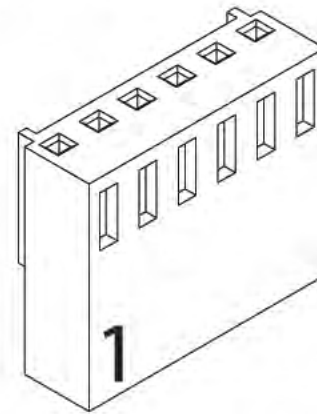




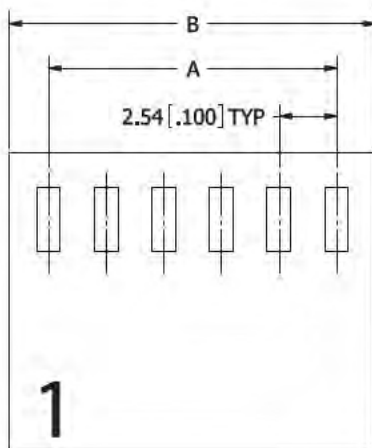
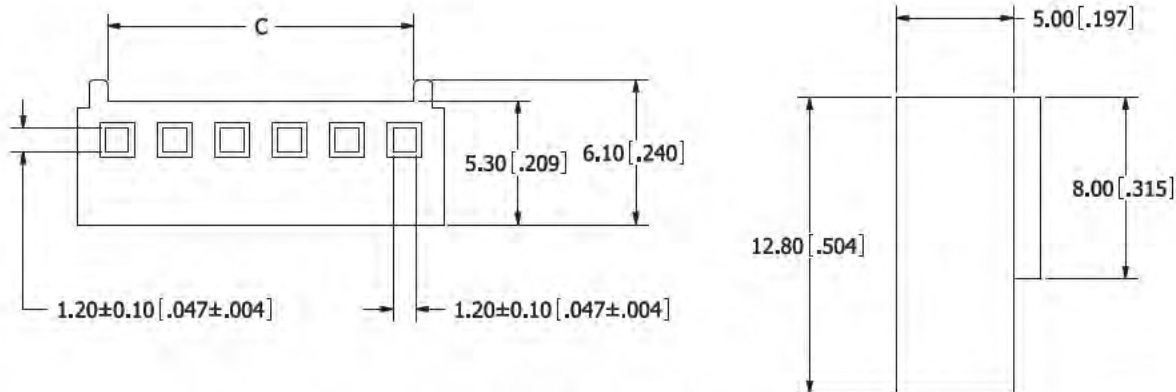
**SWH25X Series Housing 2.54mm [.100"] CC**

**SPECIFICATIONS**

- Insulator Material: Nylon 66, UL 94V-0 Color: White.
- Contact Resistance: 20m OHMs Max.
- Current Rating: 5 AMP per contact
- Dielectric WithStanding: 1000 V AC.
- Insulation Resistance: 1000 Mega OHMS
- Operating Temperature: -25° C TO +85° C.
- Voltage Rating: 250V AC/DC.
- Suitable for SWH25X Series Terminal.
- Mates with SWR25X Series Wafer.



**DIMENSIONS**



**PART NUMBER CODING**

**SWH201-NULN-S -UU-WH**

Number Of Positions  
(Contact Per row)

Part Number	Positions/ Contacts	A		B		C	
		mm	inch	mm	inch	mm	inch
SWH25X-NULC-S02-UU-BA	02/02	2.54	0.100	5.79	0.228	3.07	0.121
SWH25X-NULC-S03-UU-BA	03/03	5.08	0.200	8.33	0.328	5.61	0.221
SWH25X-NULC-S04-UU-BA	04/04	7.62	0.300	10.87	0.428	8.15	0.321
SWH25X-NULC-S05-UU-BA	05/05	10.16	0.400	13.41	0.528	10.69	0.421
SWH25X-NULC-S06-UU-BA	06/06	12.70	0.500	15.95	0.628	13.23	0.521
SWH25X-NULC-S07-UU-BA	07/07	15.24	0.600	18.49	0.728	15.77	0.621
SWH25X-NULC-S08-UU-BA	08/08	17.78	0.700	21.03	0.828	18.31	0.721
SWH25X-NULC-S09-UU-BA	09/09	20.32	0.800	23.57	0.928	20.85	0.821
SWH25X-NULC-S10-UU-BA	10/10	22.86	0.900	26.11	1.028	23.39	0.921
SWH25X-NULC-S11-UU-BA	11/11	25.40	1.000	28.65	1.128	25.93	1.021
SWH25X-NULC-S12-UU-BA	12/12	27.94	1.100	31.19	1.228	28.47	1.121
SWH25X-NULC-S13-UU-BA	13/13	30.48	1.200	33.73	1.328	31.01	1.221
SWH25X-NULC-S14-UU-BA	14/14	33.02	1.300	36.27	1.428	33.55	1.321
SWH25X-NULC-S15-UU-BA	15/15	35.56	1.400	38.81	1.528	36.09	1.421
SWH25X-NULC-S16-UU-BA	16/16	38.10	1.500	41.35	1.628	38.63	1.521
SWH25X-NULC-S17-UU-BA	17/17	40.64	1.600	43.89	1.728	41.17	1.621
SWH25X-NULC-S18-UU-BA	18/18	43.18	1.700	46.43	1.828	43.71	1.721
SWH25X-NULC-S19-UU-BA	19/19	45.72	1.800	48.97	1.928	46.25	1.821
SWH25X-NULC-S20-UU-BA	20/20	48.26	1.900	51.51	2.028	48.79	1.921

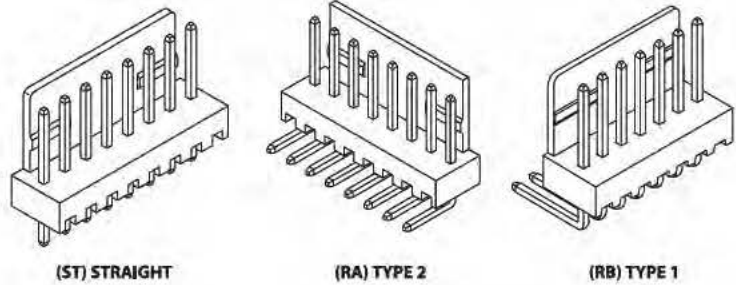
Sullins Wafers



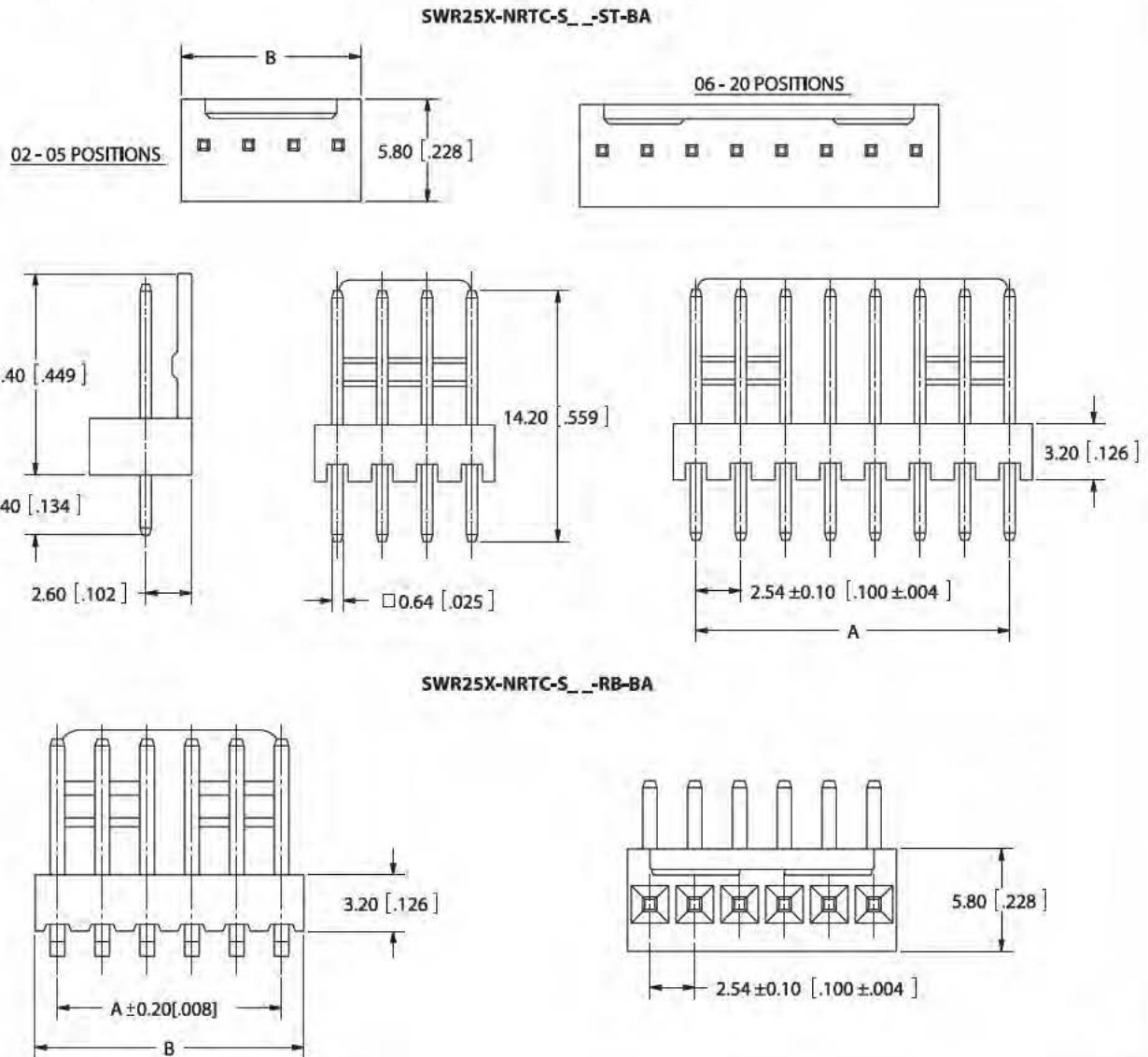
**SWR25X Series Single Row Wafer 2.54mm [.100"] CC, Straight/Right Angle**

**SPECIFICATIONS**

- Insulator Material: Nylon 66, UL 94V-0
- Contact Material: Brass.
- Contact Resistance: 20m OHMs Max.
- Contact Plating: .000020" Min. Nickel Underplate, Pure Tin, Bright Overall.
- Current Rating: 5 AMP per contact
- Dielectric Withstanding: 1000 V AC.
- Insulation Resistance: 1000 Mega OHMS
- Operating Temperature: -25° C TO +85° C.
- Voltage Rating: 250V AC/DC.
- Mates with SWH25X Series Single Row Housing.



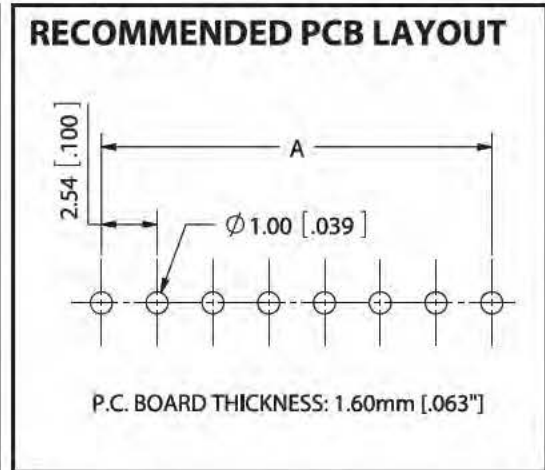
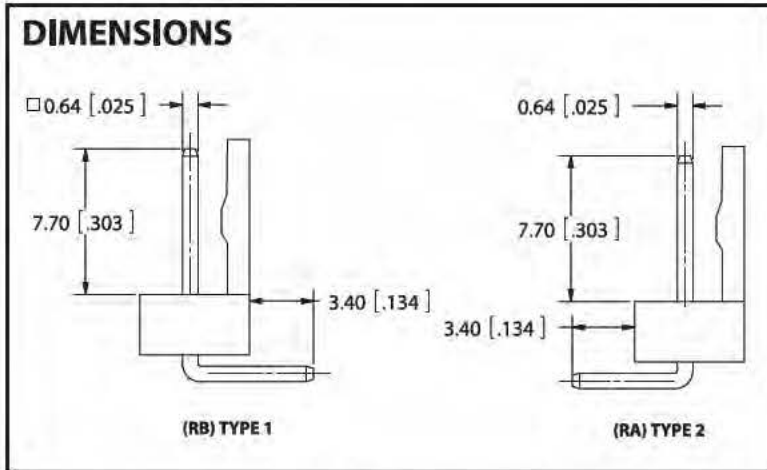
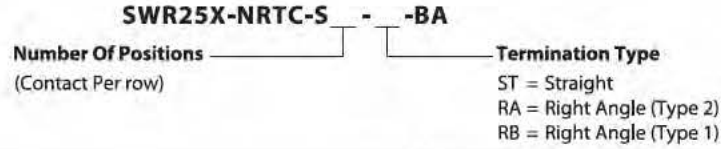
**DIMENSIONS**





**SWR25X Series Single Row Wafer 2.54mm [.100"] CC, Straight/Right Angle**

**PART NUMBER CODING**



Part Number	Positions/ Contacts	A		B		B			
						TYPE2 (RA)		TYPE1 (RB)	
		mm	inch	mm	inch	mm	inch	mm	inch
SWR25X-NRTC-S02-__-BA	02/04	2.54	0.100	5.12	0.202	5.12	0.202	5.08	0.200
SWR25X-NRTC-S03-__-BA	03/06	5.08	0.200	7.66	0.302	7.66	0.302	7.62	0.300
SWR25X-NRTC-S04-__-BA	04/08	7.62	0.300	10.20	0.402	10.20	0.402	10.16	0.400
SWR25X-NRTC-S05-__-BA	05/10	10.16	0.400	12.74	0.502	12.74	0.502	12.70	0.500
SWR25X-NRTC-S06-__-BA	06/12	12.70	0.500	15.30	0.602	15.30	0.602	15.24	0.600
SWR25X-NRTC-S07-__-BA	07/14	15.24	0.600	17.94	0.706	17.94	0.706	17.78	0.700
SWR25X-NRTC-S08-__-BA	08/16	17.78	0.700	20.48	0.806	20.48	0.806	20.32	0.800
SWR25X-NRTC-S09-__-BA	09/18	20.32	0.800	23.02	0.906	23.02	0.906	22.86	0.900
SWR25X-NRTC-S10-__-BA	10/20	22.86	0.900	25.58	1.007	25.58	1.007	25.40	1.000
SWR25X-NRTC-S11-__-BA	11/22	25.40	1.000	28.12	1.107	28.12	1.107	27.94	1.100
SWR25X-NRTC-S12-__-BA	12/24	27.94	1.100	30.68	1.208	30.68	1.208	30.48	1.200
SWR25X-NRTC-S13-__-BA	13/26	30.48	1.200	33.10	1.303	33.10	1.303	33.02	1.300
SWR25X-NRTC-S14-__-BA	14/28	33.02	1.300	35.80	1.409	35.80	1.409	35.56	1.400
SWR25X-NRTC-S15-__-BA	15/30	35.56	1.400	38.34	1.509	38.34	1.509	38.10	1.500
SWR25X-NRTC-S16-__-BA	16/32	38.10	1.500	40.94	1.612	40.94	1.612	40.64	1.600
SWR25X-NRTC-S17-__-BA	17/34	40.64	1.600	43.30	1.705	43.30	1.705	43.18	1.700
SWR25X-NRTC-S18-__-BA	18/36	43.18	1.700	45.90	1.807	45.90	1.807	45.72	1.800
SWR25X-NRTC-S19-__-BA	19/38	45.72	1.800	48.56	1.912			48.26	1.900
SWR25X-NRTC-S20-__-BA	20/40	48.26	1.900	50.80	2.000	50.80	2.000	50.80	2.000

Sullins Wafers