



## Micro Plastics Card Edge

GENERAL SPECIFICATIONS .....	114
PART NUMBER OPTIONS .....	115

### Female Card Edge, .100" [2.54 mm] Contact Centers

.431" [10.95 mm] Profile, Dip Solder .....	116
.431" [10.95 mm] Profile, Card Extender .....	118
.431" [10.95 mm] Profile, Eyelet .....	120
.610" [15.49 mm] Profile, Wire Wrap & Dip Solder .....	122
.550" [13.90 mm] Profile, .025" [.64 mm] Square Card Extender .....	124
.610" [15.49 mm] Profile, Right Angle .....	126
.610" [15.49 mm] Profile, Special 18/31 with Barrier, Dip Solder/ Wire Wrap [ISA] .....	128

### Female Card Edge, .125" [3.18 mm] Contact Centers

.431" [10.95 mm] Profile, Dip Solder .....	130
.431" [10.95 mm] Profile, Card Extender .....	132
.431" [10.95 mm] Profile, Eyelet .....	134
.610" [15.49 mm] Profile, Wire Wrap & Dip Solder .....	136
.550" [13.90 mm] Profile, .025" [.64 mm] Square Card Extender .....	138
.610" [15.49 mm] Profile, Right Angle .....	140

### Female Card Edge, .150" [3.81 mm] Contact Centers

.550" [13.90 mm] Profile, .025" [.64 mm] Square & Round Dip Solder .....	142
--	-----

### Female Card Edge, .156" [3.96 mm] Contact Centers

.431" [10.95 mm] Profile, Dip Solder .....	144
.431" [10.95 mm] Profile, Card Extender .....	146
.431" [10.95 mm] Profile, Eyelet .....	148
.610" [15.49 mm] Profile, Wire Wrap & Dip Solder .....	150
.550" [13.97 mm] Profile, .025" [.64 mm] Square Card Extender .....	152
.610" [15.49 mm] Profile, Right Angle .....	154
.720" [18.29 mm] Profile, .045" [1.14 mm] Square Wire Wrap .....	156

### Polarizing Keys

Polarizing Keys, In Between Contact & In Contact .....	158
--	-----

<b>Part Number Index</b> .....	159
--------------------------------	-----



## GENERAL SPECIFICATIONS

### RoHS COMPLIANT



RoHS  
COMPLIANT

All parts are currently manufactured with recommended materials to meet RoHS standards. All contacts have 50u" of nickel underplating, and a large selection of plating options: Pure tin matte, overall gold, or selective gold plating. For complete part number information or operating/processing temperature parameters, visit the RoHS section of our website, or refer to page 129 of this catalog.

### MATERIALS

To determine Assembly Operating Temperature, take the lower of two temperatures

Insulator:			Operating Temperature	Processing Temperature
Standard	PBT, Valox*	Glass filled Thermoplastic Polyester	-65°C to +130°C	260°C / 10 Seconds
Special	PPS, Ryton*	Glass/Mineral filled Polyphenylene Sulfide, Green	-650C to +220°C	260°C / 120 Seconds
Special	PPS, Ryton*	Glass filled Polyphenylene Sulfide, Brown	-650C to +200°C	260°C / 120 Seconds
Special	PA9T	High Temperature Polyamide	-650C to +150°C	260°C / 20 Seconds
Special	Peek	Glass filled Polyetheretherketone	-650C to +250°C	

#### Contacts:

Standard	Phosphor Bronze (Available in All Contact Styles)	-65°C to +125°C
Special	Beryllium Copper (Consult Factory)	-65°C to +150°C
Special	Spinodal** (Consult Factory)	-65°C to +200°C
Special	Beryllium Nickel (Consult Factory)	-65°C to +300°C

#### Plating:

Gold and/or Tin over .000050" Nickel Underplate, Lead Free

UL/CUL File Number: E64287 Section 2

Cage Code: 31223

\* Or equivalent.

\*\* Consult factory for special soldering guidelines.

### MECHANICAL

Board Insertion Force 16 oz Maximum per contact pair using .062"[1.58mm] thick steel test blade

Board Withdrawal Force 1 oz Minimum per contact pair using .062"[1.58mm] thick steel test blade

Special Insertion/Withdrawal forces available upon request

### ELECTRICAL PERFORMANCE (Per Mil-C-21097C)

Insulation Resistance: 5,000 Mega Ohm

<b>Contact Centers:</b>	.039[1mm]	.050[1.27mm]	.100[2.54mm]	.125[3.18mm]	.150[3.81mm]	.156[3.96mm]
<b>Operating Voltage:</b>	225 VAC	300 VAC	700 VAC	750 VAC	850 VAC	950 VAC
<b>DWV:</b>	675 VAC	900 VAC	2100 VAC	2250 VAC	2550 VAC	2550 VAC

**Current Rating:** 1 to 5 amp per contact

**Contact Resistance:** 30 milli ohm maximum at rated current

#### Registered Trademarks

Sabic Innovative Plastics: Valox	Phillips 66: Ryton	RTP Compounder: PEEK	Sullins Electronics: Sullins
Gardner-Denver Co.: Wire Wrap	Ametek: Spinodal	Underwriters Labs: UL	Sullins Electronics: Zero Lead Time



**MP - 0 100 - 22 - D W - 5 XXX**

**PLATING - RoHS Compliant**

**ALL PLATINGS ARE LEAD FREE AND HAVE  
.000050" NICKEL UNDERPLATE**

	Contact Surface	Termination
*MPSL =	.000010" Gold	.000100" Pure Tin Matte
*EMPSL =	.000010" Gold	.000100" Pure Tin Matte
*MPL =	.000100" Overall Pure Tin, Matte	
*EMPL =	.000100" Overall Pure Tin, Matte	
MP =	.000010" Overall Gold	
EMP =	.000010" Overall Gold	
MPP =	Spinodal Contact Material (Overall Gold Only)	
EMPP =	Spinodal Contact Material (Overall Gold Only)	

**\*Tin Requires 'K' Modification Code**

Use 'E' code for Economy Eyelet Only  
See Modification codes for alternate plating

**INSULATOR MATERIAL**

All Materials are U.L. Approved 94V-0

- 0 = PBT, Blue
- 1 = PPS, Brown
- 2 = PBT, Green
- 3 = PBT, Black
- 4 = PA9T, Black
- 5 = PPS, Black
- 6 = PPS, Green
- 7 = PPS, Brown
- 8 = Peek, Natural

**CONTACT CENTERS**

- 100 = .100" [2.54mm]
- 125 = .125" [3.18mm]
- 150 = .150" [3.84mm]
- 156 = .156" [3.96mm]

**NUMBER OF POSITIONS**

02 - 70 Contacts Per Row

**READOUT**

D = Dual Row

**TERMINATION TYPE**

- FS = .045" Square Tails  
.720" Insulator Height
- P = Solder Eyelet  
.431" Insulator Height
- PE = Economy Eyelet, .156" Pitch only  
.431" Insulator Height, Card Extender
- R = .025" Round Tails  
.610" Insulator Height
- S = Dip Solder - .431" Insulator Height
- SE = Card Extender - .431" Insulator Height
- W = .025" Square Wire Wrap  
.610" Insulator Height
- WE = .025" Square Card Extender  
.610" Insulator Height

**MOUNTING STYLE**

- 1 = **.125" Clearance Holes**  
.245" Ears, .431" Insulator  
.250" Flush Ears, .610" Insulator
- 2 = **#4-40 Threaded Insert**  
.245" Ears, .431" Insulator  
.250" Flush Ears, .610" Insulator
- 3 = **Floating Bobbin**  
.220" Ears not Including Bobbin  
(Flush Ears on .610 Insulator)
- 4 = **No Mounting Ears**  
All Connectors
- 5 = **Raised with .125" Clearance Holes**  
Wire Wrap/Thru Hole,  
Only available in .610" Insulator
- 6 = **Raised with #4-40 Threaded Insert**  
Wire Wrap/Thru Hole,  
Only available in .610" Insulator
- 8 = **.125" Side Holes (Cross Drilled)**
- 9 = **One Ear, .125" Clearance Hole**  
.431" Insulator, Dip Solder & Eyelet
- 10 = **One Ear, #4-40 Threaded Insert**  
.431" Insulator, Dip Solder & Eyelet
- 11 = **.142" Mounting Holes**  
.431" Insulator, Dip Solder, Eyelet  
.610" Insulator, .025" Sq & Round
- 12 = **.128" Clearance Holes**  
.431" Insulator, Dip Solder & Eyelet  
.610" Insulator, .025" Sq & Round
- 13 = **Flush Ears, .128" Clearance Holes**  
.430" Ears with Pad on .610" Insulator  
Height, Wire Wrap Only
- 14 = **.142" Side Holes (Cross Drilled)**  
.431" Insulator, Dip Solder & Eyelet  
.610" Insulator, .025" Sq & Round
- 15 = **Flush Ears, .125" Clearance Holes**  
.190" Ears, No Pad  
.610" Insulator, .025" Sq & Round
- 16 = **Flush .250" Ears to top of the  
Card Entry Side of the Connector,**  
.610" Insulator, .025" Sq & Round
- 18 = **Flush Ears, .125" Side Holes**  
(Cross Drilled)
- 19 = **.152" Clearance Holes**  
.610" Insulator, .025" Sq & Round
- 58 = **Raised Ears, .125" Side Holes**  
(Cross Drilled)
- 81 = **Flush Ears, .125" Side Holes**  
.250" Ears with Pad,  
.610" Insulator, .025" Sq & Round
- 86 = **Side Holes with #4-40 Threaded Insert**  
.250" Ears with Pad,  
.610" Insulator, .025" Sq & Round

**MODIFICATION CODE**

**CONSULT FACTORY FOR OTHER OPTIONS**

- A = **Contacts Loaded one side only**
- B = **Center Barrier for 28/56 -  
.156" Dip Solder & Eyelet**
- C = **.030" Longer Cardslot and  
Mounting Hole Centers for 22/44,  
All .156" (Consult Factory)**
- D = **.000050" Gold Plating -  
(Consult Factory)**
- E9 = **.200" Row Spacing on .156"  
Contact Centers**
- F = **6.802" Cardslot for 43/86  
.156" Eyelet & Wire Wrap Only**
- F9 = **6.802" Cardslot and .200" Row  
Spacing for 43/86 Dip Solder  
Only**
- G = **.000030" Gold Plating on Contact  
Surface; .000010" Gold Overall**
- H = **.190" Contact Length for .025"  
Square & .026" Round Contacts  
.250" Contact Length without  
Standoffs**
- J = **Low Insertion Force**
- K = **MPSL - Selective Gold with Pure  
Tin, Matte Plating on Tails  
MPL - Overall Pure Tin, Matte**
- L = **.140" Contact Length for  
.156" Dip Solder Only**
- M = **Pad on Bottom of Mounting Ears  
for .156", .431" Insulator Height,  
Dip Solder & Eyelet Only**
- N = **Hi-light Contact ID on Bottom  
(Consult Factory)**
- P = **Engraving Reversed  
(Consult Factory)**
- Q = **Right Angle Connector Contacts  
Untrimmed  
(Requires 'R' Modification  
Code)**
- R = **Right Angle Connectors**
- S = **Shorter Overall Length**
- T = **Center Standoffs Removed  
.100" & .125" Wire Wrap Only**
- TT = **No Standoffs**
- U = **.000020" Gold Plating**
- X9 = **.200" Row Spacing for  
.100" & .156" Dip Solder Only  
.250" Row Spacing for  
.125" Dip Solder Only**
- Y = **Beryllium Copper Contacts**
- Z = **Standoffs on .156" Wire Wrap**

Micro Plastics Card Edge

**See applicable specification pages for more information.**

Specifications are subject to change without notice.

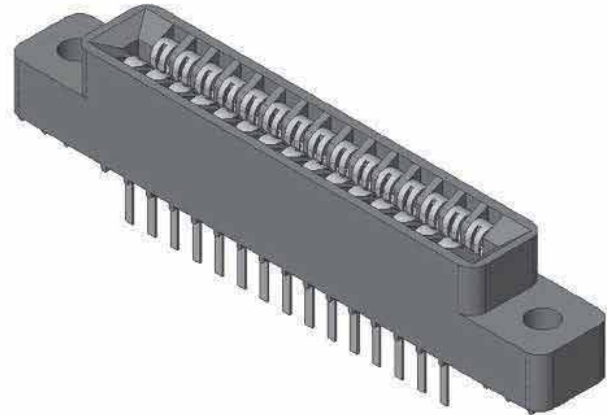


# Micro Plastics Card Edge

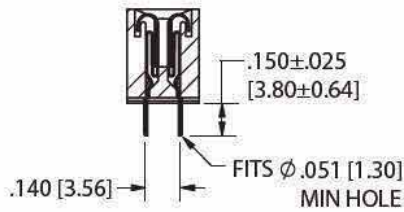
**.100" [2.54 mm] Contact Centers, .431" [10.95 mm] Insulator Height,  
Dip Solder**

## SPECIFICATIONS

- Accommodates .062" ± .008" [1.57 ± 0.20] PC Board
- Insulator Material available in PBT, PPS or PA9T
- 3 Amp Current Rating per contact
- Insulator / Contact Specifications and Part Number Options See Page 115
- Row Spacing Available in .140" or .200" (Use Modification Code 'X9' for .200")
- P/N 04-0003-000 for In Between Contact Polarizing Key See Page 158 (Sold Separately)
- Molded-in Key Available - Consult Factory

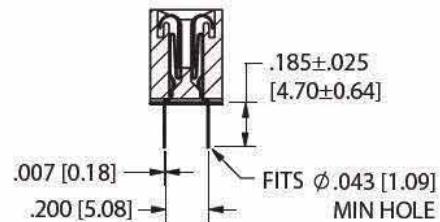


## TERMINATION TYPE



**DIP SOLDER (S)  
.140" ROW SPACING**

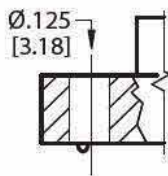
*Example P/N: MPSL-0100-10-DS-1K*



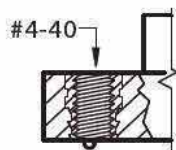
**DIP SOLDER (S)  
.200" ROW SPACING  
USE 'X9' MODIFICATION CODE**

*Example P/N: MPSL-0100-10-DS-1X9K*

## MOUNTING STYLE



(STYLE 1)



(STYLE 2)



(STYLE 3)



(STYLE 4)



**PART NUMBER OPTIONS**

**MPSL - 0 100 - 10 - D S - 1 K**

**PLATING - RoHS Compliant**

All Platings are Lead Free and have .000050" Nickel Underplate

**Contact Surface Termination**

\*MPSL = .000010" Gold .000100" Pure Tin, Matte

\*MPL = .000100" Overall Pure Tin, Matte

MP = .000010" Overall Gold

\*Requires 'K' Modification Code

**INSULATOR MATERIAL\*\***

0 = PBT

**CONTACT CENTERS**

100 = .100" [2.54mm]

**NUMBER OF POSITIONS**

Contacts Per Row (See Position Chart Below)

**MODIFICATION CODE\*\***

K = Required on MPSL or MPL Plating

Omit for MP Plating (Overall Gold)

X9 = .200" Row Spacing

**MOUNTING STYLE (See Opposite Page)**

1 = .125" Clearance Hole

2 = #4-40 Threaded Insert

3 = Floating Bobbin

4 = No Mounting

**TERMINATION TYPE (See Opposite Page)**

S = Dip Solder

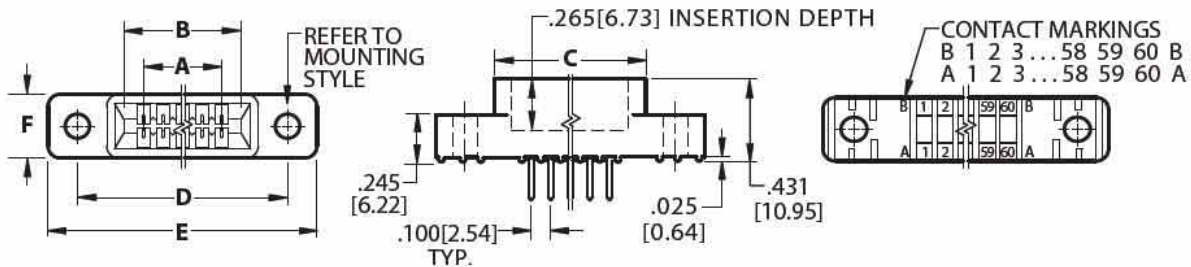
**READOUT**

D = Dual

\*\* See Pages 114-115 for Specifications and other Variations

**DIMENSIONS**

Dimensions in [ ] are in millimeters, all others are in inches.



POSITIONS/ CONTACTS	INCHES					[MILLIMETERS]						
	A±.008	B±.008	C±.015	D±.010	E±.020	F±.005	A±0.20	B±0.20	C±0.38	D±0.25	E±0.51	F±0.13
05/10	0.400	0.600	0.775	1.075	1.375	0.330	10.16	15.24	19.69	27.31	34.93	8.38
06/12	0.500	0.700	0.875	1.175	1.475		12.70	17.78	22.23	29.85	37.47	
07/14	0.600	0.800	0.975	1.275	1.575		15.24	20.32	24.77	32.39	40.01	
08/16	0.700	0.900	1.075	1.375	1.675		17.78	22.86	27.31	34.93	42.55	
10/20	0.900	1.100	1.275	1.575	1.875		22.86	27.94	32.39	40.01	47.63	
12/24	1.100	1.300	1.475	1.775	2.075		27.94	33.02	37.47	45.09	52.71	
13/26	1.200	1.400	1.575	1.875	2.175		30.48	35.56	40.01	47.63	55.25	
15/30	1.400	1.600	1.775	2.075	2.375		35.56	40.64	45.09	52.71	60.33	
17/34	1.600	1.800	1.975	2.275	2.575		40.64	45.72	50.17	57.79	65.41	
18/36	1.700	1.900	2.075	2.375	2.675		43.18	48.26	52.71	60.33	67.95	
19/38	1.800	2.000	2.175	2.475	2.775		45.72	50.80	55.25	62.87	70.49	
20/40	1.900	2.100	2.275	2.575	2.875		48.26	53.34	57.79	65.41	73.03	
22/44	2.100	2.300	2.475	2.775	3.075		53.34	58.42	62.87	70.49	78.11	
25/50	2.400	2.600	2.775	3.075	3.375		60.96	66.04	70.49	78.11	85.73	
26/52	2.500	2.700	2.875	3.175	3.475		63.50	68.58	73.03	80.65	88.27	
28/56	2.700	2.900	3.075	3.375	3.675		68.58	73.66	78.11	85.73	93.35	
30/60	2.900	3.100	3.275	3.575	3.875		73.66	78.74	83.19	90.81	98.43	
31/62	3.000	3.200	3.375	3.675	3.975	76.20	81.28	85.73	93.35	100.97		
35/70	3.400	3.600	3.775	4.075	4.375	86.36	91.44	95.89	103.51	111.13		
36/72	3.500	3.700	3.875	4.175	4.475	88.90	93.98	98.43	106.05	113.67		
40/80	3.900	4.100	4.275	4.575	4.875	99.06	104.14	108.59	116.21	123.83		
43/86	4.200	4.400	4.575	4.875	5.175	106.68	111.76	116.21	123.83	131.45		
44/88	4.300	4.500	4.675	4.975	5.275	109.22	114.30	118.75	126.37	133.99		
49/98	4.800	5.000	5.175	5.475	5.775	121.92	127.00	131.45	139.07	146.69		
50/100	4.900	5.100	5.275	5.575	5.875	124.46	129.54	133.99	141.61	149.23		
60/120	5.900	6.100	6.275	6.575	6.875	149.86	154.94	159.39	167.01	174.63		
65/130	6.400	6.600	6.775	7.075	7.375	162.56	167.64	172.09	179.71	187.33		

Micro Plastics Card Edge

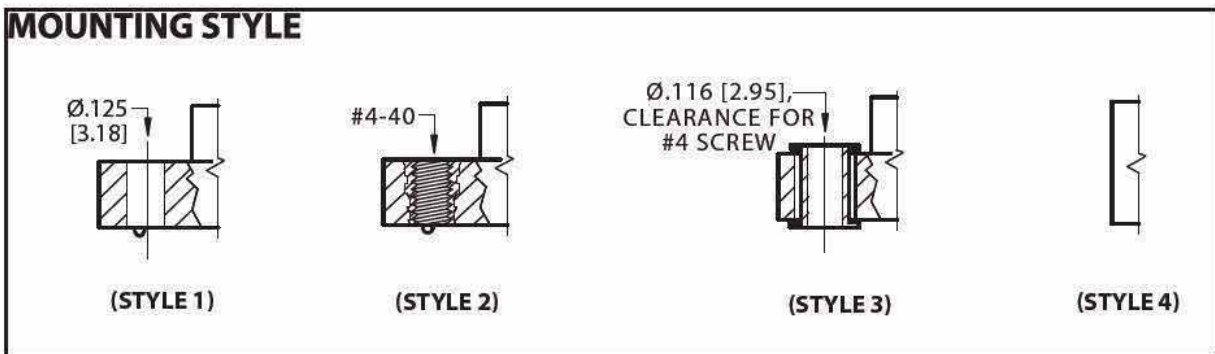
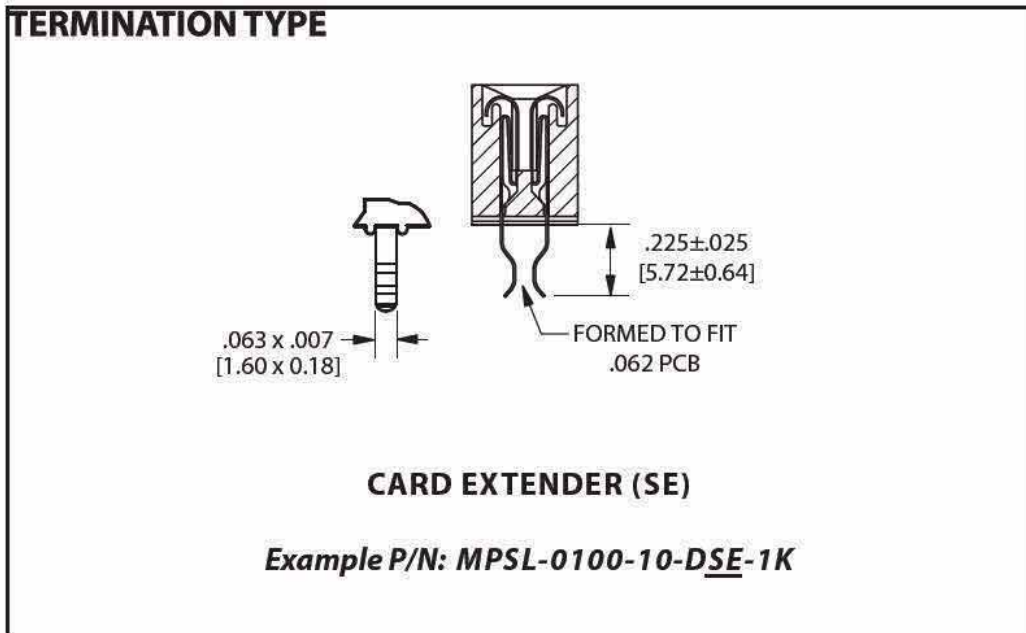
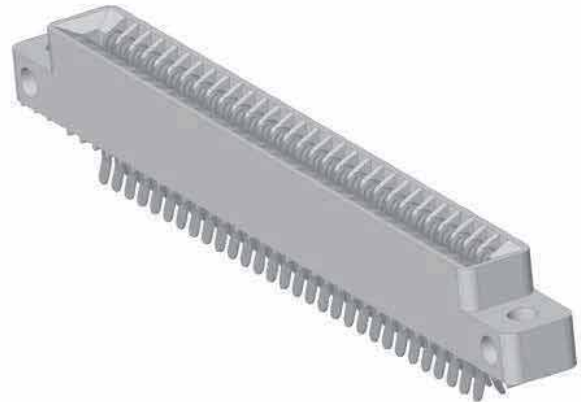


# Micro Plastics Card Edge

**.100" [2.54 mm] Contact Centers, .431" [10.95 mm] Insulator Height,  
Card Extender**

### SPECIFICATIONS

- Accommodates .062" ± .008" [1.57 ± 0.20] PCB Board
- Insulator Material available in PBT, PPS or PA9T
- 3 Amp Current Rating per contact
- Insulator / Contact Specifications and Part Number Options See Pages 114-115
- P/N 04-0003-000 for In Between Contact Polarizing Key See Page 158 (Sold Separately)
- Molded-in Key Available - Consult Factory





**PART NUMBER OPTIONS**

**MPSL - 0 100 - 10 - D SE - 1 K**

**PLATING - RoHS Compliant**

All Platings are Lead Free and have .000050" Nickel Underplate

**Contact Surface Termination**

\*MPSL = .000010" Gold .000100" Pure Tin Matte

\*MPL = .000100" Overall Pure Tin, Matte

MP = .000010" Overall Gold

**\* Requires 'K' Modification Code**

Other Plating and thicknesses available upon request

**INSULATOR MATERIAL\*\***

0 = PBT

**CONTACT CENTERS**

100 = .100" [2.54mm]

**NUMBER OF POSITIONS**

Contacts Per Row (See Position Chart Below)

**PLATING MODIFICATION CODE\*\***

K = Required on Tin Plating  
Omit for MP Plating (Overall Gold)

**MOUNTING STYLE (See Opposite Page)**

- 1 = .125" Clearance Hole
- 2 = #4-40 Threaded Insert
- 3 = Floating Bobbin
- 4 = No Mounting

**TERMINATION TYPE (See Opposite Page)**

SE = Card Extender

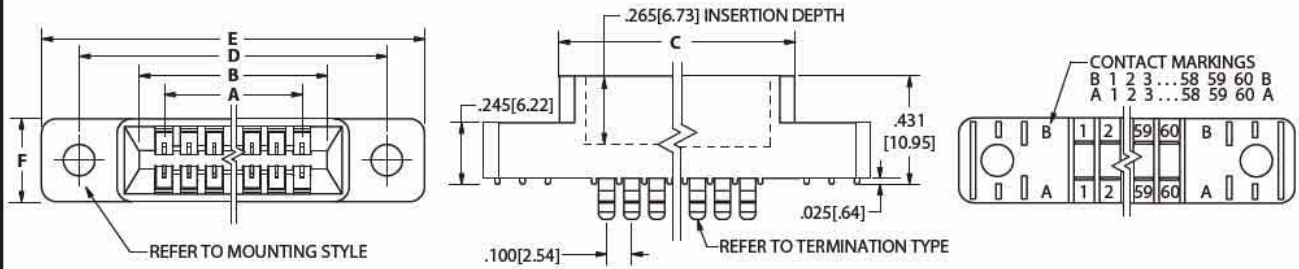
**READOUT**

D = Dual

**\*\* See Pages 114-115 for Specifications and other Variations**

**DIMENSIONS**

Dimensions in [ ] are in millimeters, all others are in inches.



POSITIONS/ CONTACTS	INCHES						[MILLIMETERS]						
	A±.008	B±.008	C±.015	D±.010	E±.020	F±.005	A±0.20	B±0.20	C±0.38	D±0.25	E±0.51	F±0.13	
05/10	0.400	0.600	0.775	1.075	1.375	0.330	10.16	15.24	19.69	27.31	34.93	8.38	
06/12	0.500	0.700	0.875	1.175	1.475		12.70	17.78	22.23	29.85	37.47		
07/14	0.600	0.800	0.975	1.275	1.575		15.24	20.32	24.77	32.39	40.01		
08/16	0.700	0.900	1.075	1.375	1.675		17.78	22.86	27.31	34.93	42.55		
10/20	0.900	1.100	1.275	1.575	1.875		22.86	27.94	32.39	40.01	47.63		
12/24	1.100	1.300	1.475	1.775	2.075		27.94	33.02	37.47	45.09	52.71		
13/26	1.200	1.400	1.575	1.875	2.175		30.48	35.56	40.01	47.63	55.25		
15/30	1.400	1.600	1.775	2.075	2.375		35.56	40.64	45.09	52.71	60.33		
17/34	1.600	1.800	1.975	2.275	2.575		40.64	45.72	50.17	57.79	65.41		
18/36	1.700	1.900	2.075	2.375	2.675		43.18	48.26	52.71	60.33	67.95		
19/38	1.800	2.000	2.175	2.475	2.775		45.72	50.80	55.25	62.87	70.49		
20/40	1.900	2.100	2.275	2.575	2.875		48.26	53.34	57.79	65.41	73.03		
22/44	2.100	2.300	2.475	2.775	3.075		53.34	58.42	62.87	70.49	78.11		
25/50	2.400	2.600	2.775	3.075	3.375		60.96	66.04	70.49	78.11	85.73		
26/52	2.500	2.700	2.875	3.175	3.475		63.50	68.58	73.03	80.65	88.27		
28/56	2.700	2.900	3.075	3.375	3.675	68.58	73.66	78.11	85.73	93.35			
30/60	2.900	3.100	3.275	3.575	3.875	73.66	78.74	83.19	90.81	98.43			
31/62	3.000	3.200	3.375	3.675	3.975	76.20	81.28	85.73	93.35	100.97			
35/70	3.400	3.600	3.775	4.075	4.375	86.36	91.44	95.89	103.51	111.13			
36/72	3.500	3.700	3.875	4.175	4.475	88.90	93.98	98.43	106.05	113.67			
40/80	3.900	4.100	4.275	4.575	4.875	99.06	104.14	108.59	116.21	123.83			
43/86	4.200	4.400	4.575	4.875	5.175	106.68	111.76	116.21	123.83	131.45			
44/88	4.300	4.500	4.675	4.975	5.275	109.22	114.30	118.75	126.37	133.99			
49/98	4.800	5.000	5.175	5.475	5.775	121.92	127.00	131.45	139.07	146.69			
50/100	4.900	5.100	5.275	5.575	5.875	124.46	129.54	133.99	141.61	149.23			
60/120	5.900	6.100	6.275	6.575	6.875	149.86	154.94	159.39	167.01	174.63			
65/130	6.400	6.600	6.775	7.075	7.375	162.56	167.64	172.09	179.71	187.33			

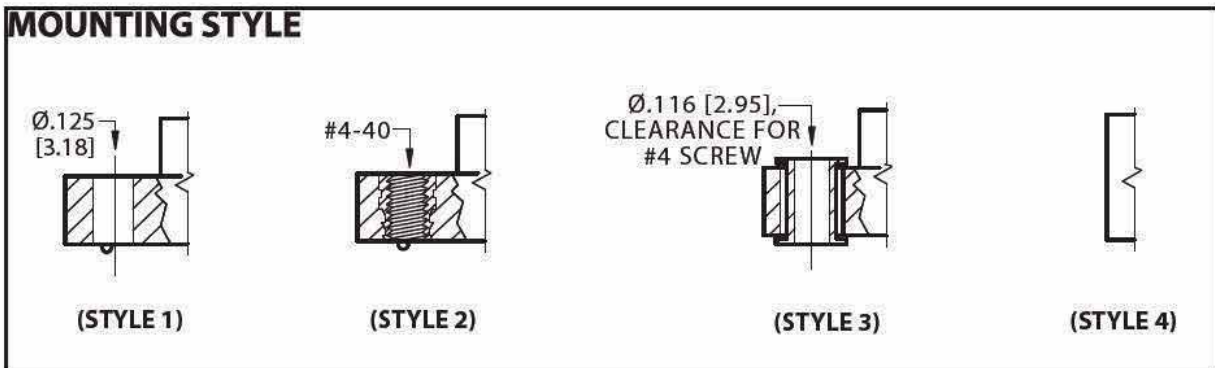
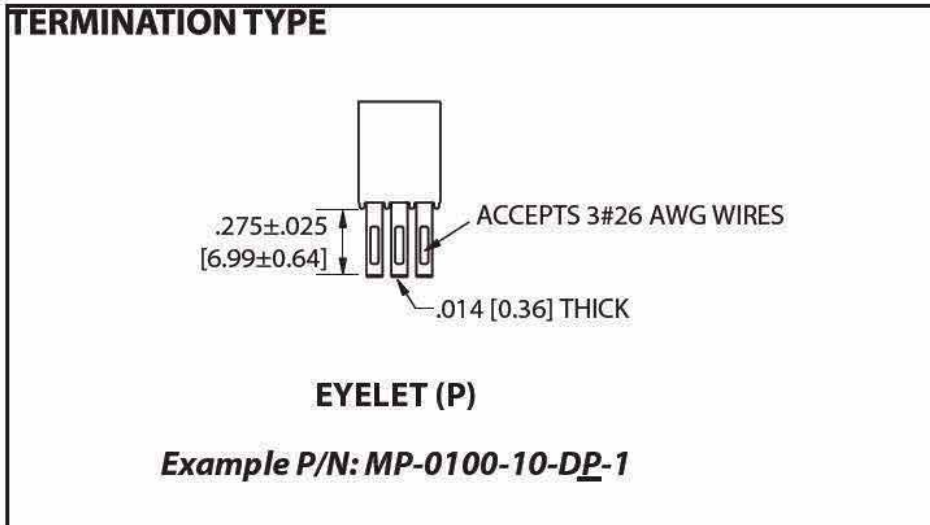
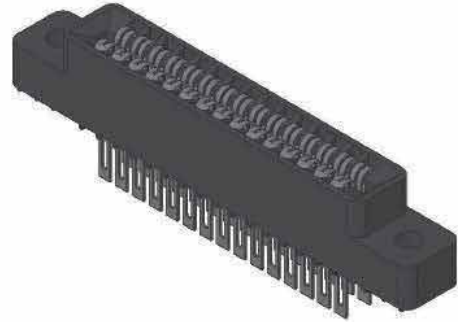
Micro Plastics Card Edge



**.100" [2.54 mm] Contact Centers, .431" [10.95 mm] Insulator Height,  
Eyelet**

**SPECIFICATIONS**

- Accommodates .062" ± .008" [1.57 ± 0.20] PC Board
- Insulator Material available in PBT, PPS or PA9T
- 3 Amp Current Rating per contact
- Insulator / Contact Specifications and Part Number Coding See Pages 114-115
- P/N 04-0003-000 for In Between Contact Polarizing Key See Page 158 (Sold Separately)
- Molded-in Key Available - Consult Factory





**PART NUMBER OPTIONS**

**MPL - 0 100 - 10 - D P - 1 K**

**PLATING - RoHS Compliant**

All Platings are Lead Free and have .000050" Nickel Underplate

\*MPL = .000100" Overall Pure Tin, Matte

MP = .000010" Overall Gold

\* Requires 'K' Modification Code

Other Plating and thicknesses available upon request

**INSULATOR MATERIAL\*\***

0 = PBT

**CONTACT CENTERS**

100 = .100" [2.54mm]

**NUMBER OF POSITIONS**

Contacts Per Row (See Position Chart Below)

**PLATING MODIFICATION CODE\*\***

K = Required on Tin Plating  
Omit for MP Plating (Overall Gold)

**MOUNTING STYLE** (See Opposite Page)

- 1 = .125" Clearance Hole
- 2 = #4-40 Threaded Insert
- 3 = Floating Bobbin
- 4 = No Mounting

**TERMINATION TYPE** (See Opposite Page)

P = Pierced Eyelet, .014" Thick

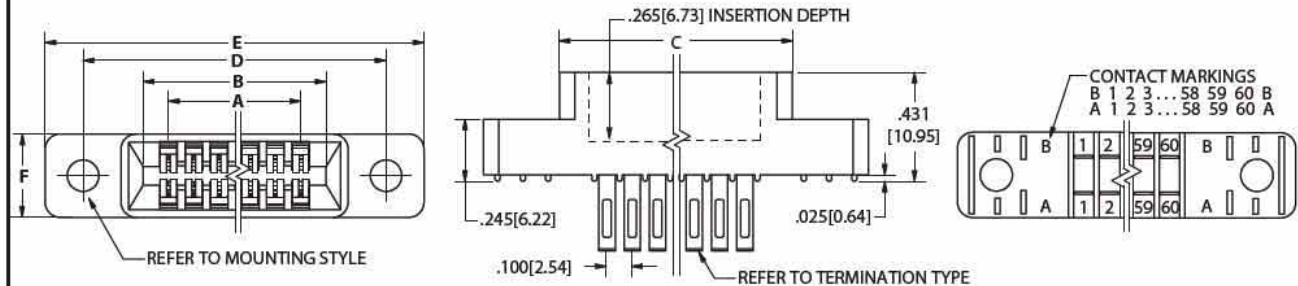
**READOUT**

D = Dual

\*\* See Pages 114-115 for Specifications and other Variations

**DIMENSIONS**

Dimensions in [ ] are in millimeters, all others are in inches.



POSITIONS/ CONTACTS	INCHES						[MILLIMETERS]					
	A±.008	B±.008	C±.015	D±.010	E±.020	F±.005	A±0.20	B±0.20	C±0.38	D±0.25	E±0.51	F±0.13
05/10	0.400	0.600	0.775	1.075	1.375	0.330	10.16	15.24	19.69	27.31	34.93	8.38
06/12	0.500	0.700	0.875	1.175	1.475		12.70	17.78	22.23	29.85	37.47	
07/14	0.600	0.800	0.975	1.275	1.575		15.24	20.32	24.77	32.39	40.01	
08/16	0.700	0.900	1.075	1.375	1.675		17.78	22.86	27.31	34.93	42.55	
10/20	0.900	1.100	1.275	1.575	1.875		22.86	27.94	32.39	40.01	47.63	
12/24	1.100	1.300	1.475	1.775	2.075		27.94	33.02	37.47	45.09	52.71	
13/26	1.200	1.400	1.575	1.875	2.175		30.48	35.56	40.01	47.63	55.25	
15/30	1.400	1.600	1.775	2.075	2.375		35.56	40.64	45.09	52.71	60.33	
17/34	1.600	1.800	1.975	2.275	2.575		40.64	45.72	50.17	57.79	65.41	
18/36	1.700	1.900	2.075	2.375	2.675		43.18	48.26	52.71	60.33	67.95	
19/38	1.800	2.000	2.175	2.475	2.775		45.72	50.80	55.25	62.87	70.49	
20/40	1.900	2.100	2.275	2.575	2.875		48.26	53.34	57.79	65.41	73.03	
22/44	2.100	2.300	2.475	2.775	3.075		53.34	58.42	62.87	70.49	78.11	
25/50	2.400	2.600	2.775	3.075	3.375		60.96	66.04	70.49	78.11	85.73	
26/52	2.500	2.700	2.875	3.175	3.475		63.50	68.58	73.03	80.65	88.27	
28/56	2.700	2.900	3.075	3.375	3.675		68.58	73.66	78.11	85.73	93.35	
30/60	2.900	3.100	3.275	3.575	3.875	73.66	78.74	83.19	90.81	98.43		
31/62	3.000	3.200	3.375	3.675	3.975	76.20	81.28	85.73	93.35	100.97		
35/70	3.400	3.600	3.775	4.075	4.375	86.36	91.44	95.89	103.51	111.13		
36/72	3.500	3.700	3.875	4.175	4.475	88.90	93.98	98.43	106.05	113.67		
40/80	3.900	4.100	4.275	4.575	4.875	99.06	104.14	108.59	116.21	123.83		
43/86	4.200	4.400	4.575	4.875	5.175	106.68	111.76	116.21	123.83	131.45		
44/88	4.300	4.500	4.675	4.975	5.275	109.22	114.30	118.75	126.37	133.99		
49/98	4.800	5.000	5.175	5.475	5.775	121.92	127.00	131.45	139.07	146.69		
50/100	4.900	5.100	5.275	5.575	5.875	124.46	129.54	133.99	141.61	149.23		
60/120	5.900	6.100	6.275	6.575	6.875	149.86	154.94	159.39	167.01	174.63		
65/130	6.400	6.600	6.775	7.075	7.375	162.56	167.64	172.09	179.71	187.33		

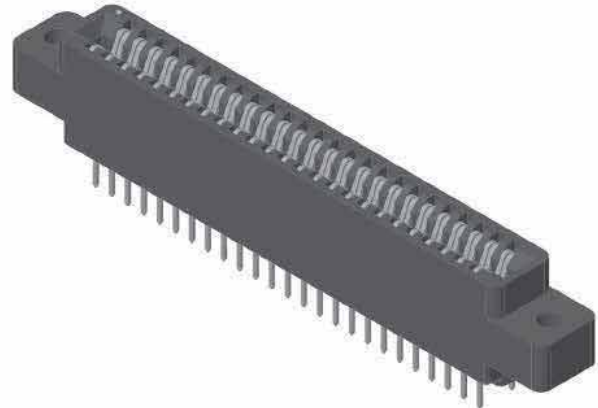
Micro Plastics Card Edge



**.100" [2.54 mm] Contact Centers, .610" [15.49 mm] Insulator Height,  
Wire Wrap & Dip Solder**

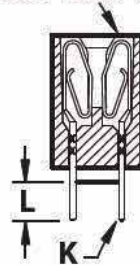
**SPECIFICATIONS**

- Accommodates .062" ± .008" [1.57 ± 0.20] PC Board
- Insulator Material available in PBT, PPS or PA9T
- 3 Amp Current Rating per contact
- Insulator / Contact Specifications and Part Number Coding See Pages 114-115
- P/N 04-0004-000 for In Between Contact Polarizing Key See Page 158 (Sold Separately)
- Molded-in Key Available - Consult Factory



**TERMINATION TYPE**

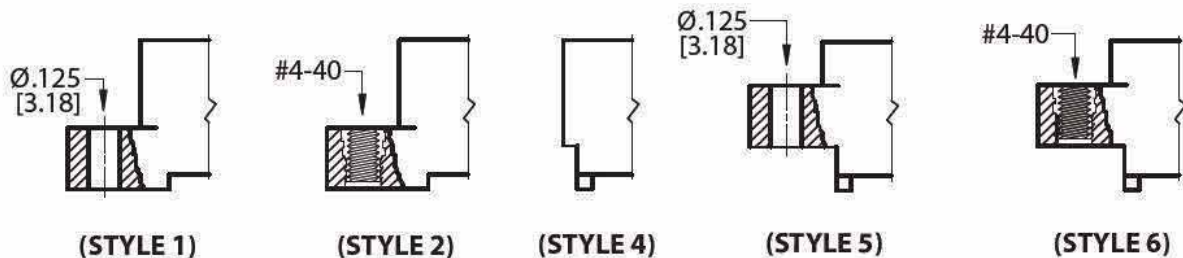
**LOOP BELLOWS**



**LOOP BELLOWS**

TERMINATION CODE	MODIFICATION CODE	TYPE	POST CROSS SECTION K	POST LENGTH L	FITS MIN. HOLE SIZE	EXAMPLE PART NUMBER
R	H	Dip Solder	.025 [0.64] Round	.190 [4.83]	.033 [0.84]	<b><i>MPSL-0100-10-DR-1HK</i></b>
R	H(.165)	Dip Solder	.025 [0.64] Round	.165 [4.19]	.033 [0.84]	<b><i>MPSL-0100-10-DR-1HK(.165)</i></b>
W	H	Dip Solder	.025 [0.64] Square	.190 [4.83]	.040 [1.02]	<b><i>MPSL-0100-10-DW-1HK</i></b>
W	OMIT	Wire Wrap	.025 [0.64] Square	.560 [14.20]	.040 [1.02]	<b><i>MPSL-0100-10-DW-1K</i></b>

**MOUNTING STYLE**



Micro Plastics Card Edge

**.100" [2.54 mm] Contact Centers, .610" [15.49 mm] Insulator Height,  
Wire Wrap & Dip Solder**



**PART NUMBER OPTIONS**

**MPSL - 0 100 - 10 - D W - 1 H K**

**PLATING - RoHS Compliant**

All Platings are Lead Free and have .000050" Nickel Underplate

- |   |                          |
|---|--------------------------|
| <b>Contact Surface</b>                  | <b>Termination</b>       |
| *MPSL = .000010" Gold                   | .000100" Pure Tin, Matte |
| *MPL = .000100" Overall Pure Tin, Matte |                          |
| MP = .000010" Overall Gold              |                          |

\*Requires 'K' Modification Code

**INSULATOR MATERIAL\*\***

0 = PBT

**CONTACT CENTERS**

100 = .100" [2.54mm]

**NUMBER OF POSITIONS**

Contacts Per Row (See Position Chart Below)

**READOUT**

D = Dual

**PLATING MODIFICATION CODE\*\***

K = Required on MPSL or MPL Plating  
Omit for MP Plating (Overall Gold)

**MODIFICATION CODE\*\***

(See Opposite Page)

- H = Dip Solder .190[4.83] Tail Length  
(.025 Round or .025 Square)
- H(.165) = Dip Solder .165[4.19] Tail Length  
(.025 Round Only)

**MOUNTING STYLE** (See Opposite Page)

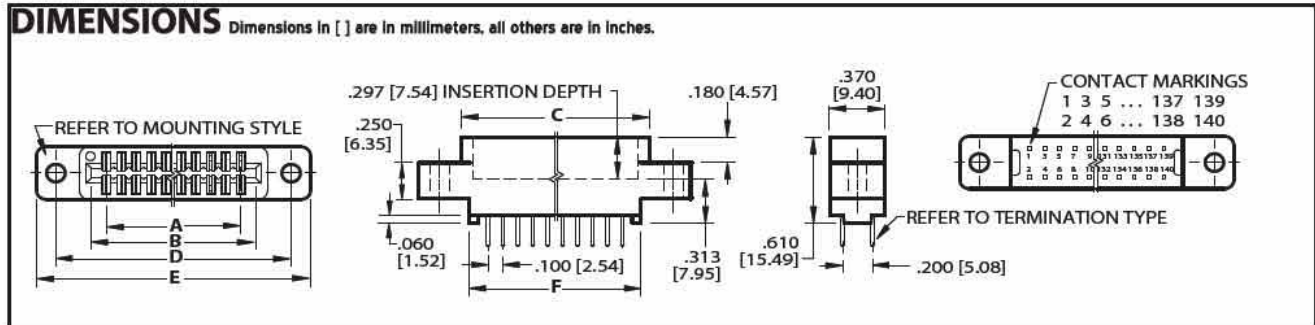
- 1 = .125" Clearance Hole
- 2 = #4-40 Threaded Insert
- 4 = No Mounting
- 5 = Raised, .125" Clearance Hole
- 6 = Raised, #4-40 Threaded Insert

**TERMINATION TYPE** (See Opposite Page)

**LOOP BELLOWS**

- R = .025[.64mm] Round
- W = .025[.64mm] Square

\*\* See Pages 114-115 for Specifications and other Variations



POSITIONS/ CONTACTS	INCHES						[MILLIMETERS]					
	A±.008	B±.008	C±.015	D±.010	E±.020	F±.015	A±0.20	B±0.20	C±0.38	D±0.25	E±0.51	F±0.38
06/12	0.500	0.700	0.860	1.175	1.435	0.750	12.70	17.78	21.84	29.85	36.45	19.05
08/16	0.700	0.900	1.060	1.375	1.635	0.950	17.78	22.86	26.92	34.93	41.53	24.13
10/20	0.900	1.100	1.260	1.575	1.835	1.150	22.86	27.94	32.00	40.01	46.61	29.21
12/24	1.100	1.300	1.460	1.775	2.035	1.350	27.94	33.02	37.08	45.09	51.69	34.29
13/26	1.200	1.400	1.560	1.875	2.135	1.450	30.48	35.56	39.62	47.63	54.23	36.83
15/30	1.400	1.600	1.760	2.075	2.335	1.650	35.56	40.64	44.70	52.71	59.31	41.91
17/34	1.600	1.800	1.960	2.275	2.535	1.850	40.64	45.72	49.78	57.79	64.39	46.99
18/36	1.700	1.900	2.060	2.375	2.635	1.950	43.18	48.26	52.32	60.33	66.93	49.53
20/40	1.900	2.100	2.260	2.575	2.835	2.150	48.26	53.34	57.40	65.41	72.01	54.61
22/44	2.100	2.300	2.460	2.775	3.035	2.350	53.34	58.42	62.48	70.49	77.09	59.69
24/48	2.300	2.500	2.660	2.975	3.235	2.550	58.42	63.50	67.56	75.57	82.17	64.77
25/50	2.400	2.600	2.760	3.075	3.335	2.650	60.96	66.04	70.10	78.11	84.71	67.31
28/56	2.700	2.900	3.060	3.375	3.635	2.950	68.58	73.66	77.72	85.73	92.33	74.93
30/60	2.900	3.100	3.260	3.575	3.835	3.150	73.66	78.74	82.80	90.81	97.41	80.01
31/62	3.000	3.200	3.360	3.675	3.935	3.250	76.20	81.28	85.34	93.35	99.95	82.55
35/70	3.400	3.600	3.760	4.075	4.335	3.650	86.36	91.44	95.50	103.51	110.11	92.71
36/72	3.500	3.700	3.860	4.175	4.435	3.750	88.90	93.98	98.04	106.05	112.65	95.25
40/80	3.900	4.100	4.260	4.575	4.835	4.150	99.06	104.14	108.20	116.21	122.81	105.41
43/86	4.200	4.400	4.560	4.875	5.135	4.450	106.68	111.76	115.82	123.83	130.43	113.03
44/88	4.300	4.500	4.660	4.975	5.235	4.550	109.22	114.30	118.36	126.37	132.97	115.57
50/100	4.900	5.100	5.260	5.575	5.835	5.150	124.46	129.54	133.60	141.61	148.21	130.81
55/110	5.400	5.600	5.760	6.075	6.335	5.650	137.16	142.24	146.30	154.31	160.91	143.51
60/120	5.900	6.100	6.260	6.575	6.835	6.150	149.86	154.94	159.00	167.01	173.61	156.21
61/122	6.000	6.200	6.360	6.675	6.935	6.250	152.40	157.48	161.54	169.55	176.15	158.75
65/130	6.400	6.600	6.760	7.075	7.335	6.650	162.56	167.64	171.70	179.71	186.31	168.91
70/140	6.900	7.100	7.260	7.575	7.835	7.150	175.26	180.34	184.40	192.41	199.01	181.61

Micro Plastics Card Edge

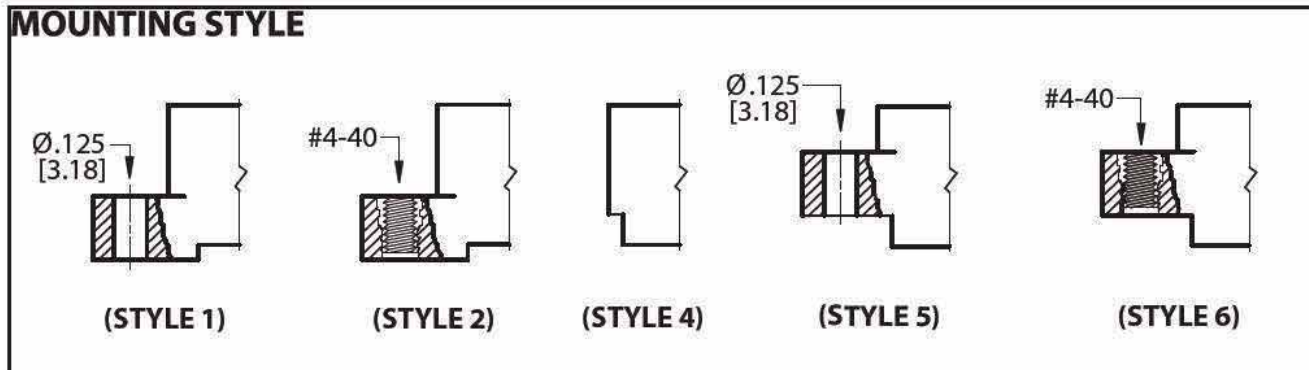
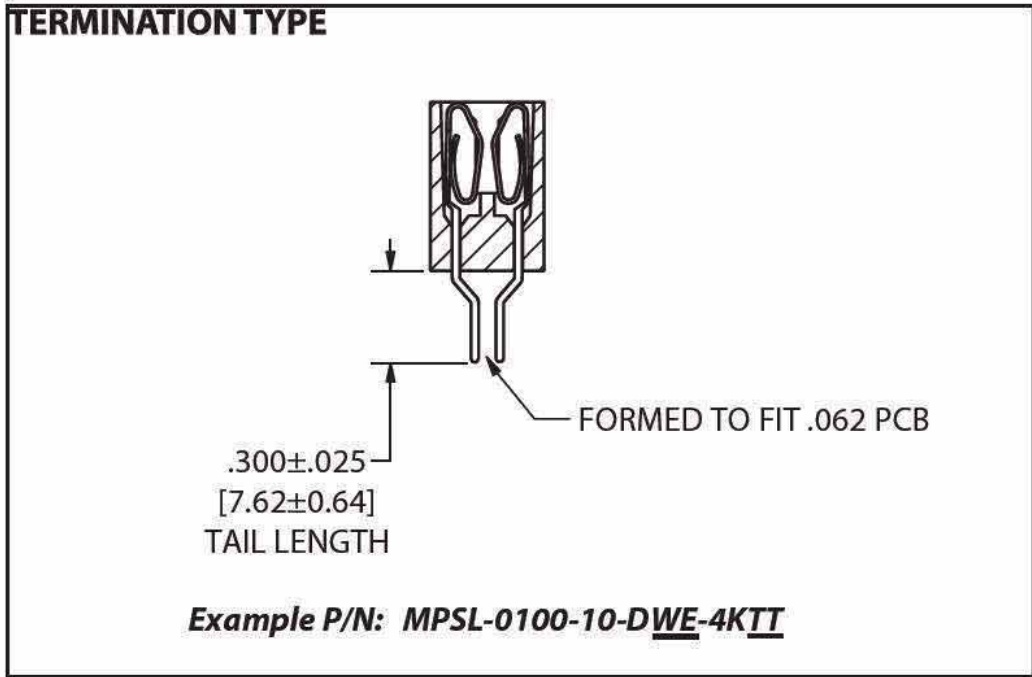
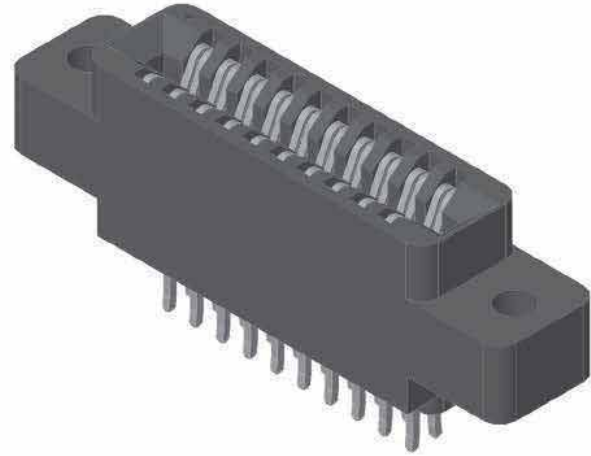


# Micro Plastics Card Edge

**.100" [2.54 mm] Contact Centers, .550" [13.90 mm] Insulator Height,  
.025" [.64 mm] Square Card Extender**

### SPECIFICATIONS

- Accommodates .062" ± .008" [1.57 ± 0.20] PC Board
- Insulator Material available in PBT, PPS or PA9T
- 3 Amp Current Rating per contact
- Insulator / Contact Specifications and Part Number Coding See Pages 114-115
- P/N 04-0004-000 for In Between Contact Polarizing Key See Page 158 (Sold Separately)
- Molded-in Key Available - Consult Factory



Micro Plastics Card Edge

**.100" [2.54 mm] Contact Centers, .550" [13.90 mm] Insulator Height, .025" [.64 mm] Square Card Extender**



**PART NUMBER OPTIONS**

**MPSL - 0 100 - 10 - D WE - 4 K TT**

**PLATING - RoHS Compliant**

All Platings are Lead Free and have .000050" Nickel Underplate

- |   |                          |
|---|--------------------------|
| <b>Contact Surface</b>                  | <b>Termination</b>       |
| *MPSL = .000010" Gold                   | .000100" Pure Tin, Matte |
| *MPL = .000100" Overall Pure Tin, Matte |                          |
| MP = .000010" Overall Gold              |                          |
- \*Requires 'K' Modification Code

**MODIFICATION CODE\*\***

TT = No Standoffs

**PLATING MODIFICATION CODE\*\***

K = Required on MPSL or MPL Plating  
Omit for MP Plating (Overall Gold)

**MOUNTING STYLE (See Opposite Page)**

- 1 = .125" Clearance Hole
- 2 = #4-40 Threaded Insert
- 4 = No Mounting
- 5 = Raised, .125" Clearance Hole
- 6 = Raised, #4-40 Threaded Insert

**TERMINATION TYPE (See Opposite Page)**

WE = Card Extender

**INSULATOR MATERIAL\*\***

0 = PBT

**CONTACT CENTERS**

100 = .100" [2.54mm]

**NUMBER OF POSITIONS**

Contacts Per Row (See Position Chart Below)

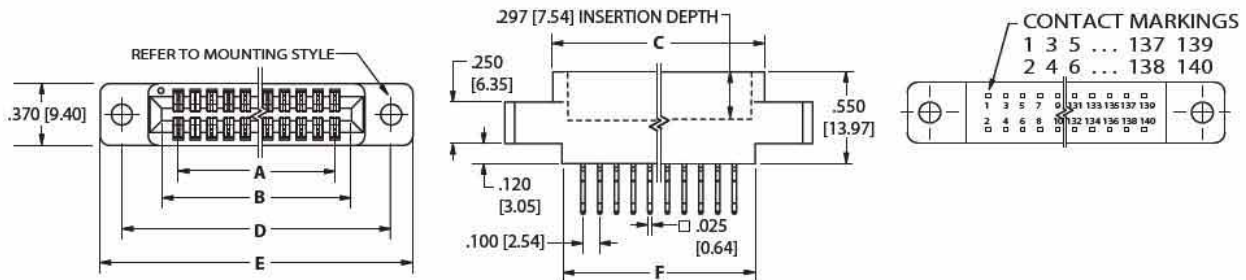
**READOUT**

D = Dual

\*\* See Pages 114-115 for Specifications and other Variations

**DIMENSIONS**

Dimensions in [ ] are in millimeters, all others are in inches.



POSITIONS/ CONTACTS	INCHES						[MILLIMETERS]					
	A±.008	B±.008	C±.015	D±.010	E±.020	F±.015	A±0.20	B±0.20	C±0.38	D±0.25	E±0.51	F±0.38
06/12	0.500	0.700	0.860	1.175	1.435	0.750	12.70	17.78	21.84	29.85	36.45	19.05
08/16	0.700	0.900	1.060	1.375	1.635	0.950	17.78	22.86	26.92	34.93	41.53	24.13
10/20	0.900	1.100	1.260	1.575	1.835	1.150	22.86	27.94	32.00	40.01	46.61	29.21
12/24	1.100	1.300	1.460	1.775	2.035	1.350	27.94	33.02	37.08	45.09	51.69	34.29
13/26	1.200	1.400	1.560	1.875	2.135	1.450	30.48	35.56	39.62	47.63	54.23	36.83
15/30	1.400	1.600	1.760	2.075	2.335	1.650	35.56	40.64	44.70	52.71	59.31	41.91
17/34	1.600	1.800	1.960	2.275	2.535	1.850	40.64	45.72	49.78	57.79	64.39	46.99
18/36	1.700	1.900	2.060	2.375	2.635	1.950	43.18	48.26	52.32	60.33	66.93	49.53
20/40	1.900	2.100	2.260	2.575	2.835	2.150	48.26	53.34	57.40	65.41	72.01	54.61
22/44	2.100	2.300	2.460	2.775	3.035	2.350	53.34	58.42	62.48	70.49	77.09	59.69
24/48	2.300	2.500	2.660	2.975	3.235	2.550	58.42	63.50	67.56	75.57	82.17	64.77
25/50	2.400	2.600	2.760	3.075	3.335	2.650	60.96	66.04	70.10	78.11	84.71	67.31
28/56	2.700	2.900	3.060	3.375	3.635	2.950	68.58	73.66	77.72	85.73	92.33	74.93
30/60	2.900	3.100	3.260	3.575	3.835	3.150	73.66	78.74	82.80	90.81	97.41	80.01
31/62	3.000	3.200	3.360	3.675	3.935	3.250	76.20	81.28	85.34	93.35	99.95	82.55
35/70	3.400	3.600	3.760	4.075	4.335	3.650	86.36	91.44	95.50	103.51	110.11	92.71
36/72	3.500	3.700	3.860	4.175	4.435	3.750	88.90	93.98	98.04	106.05	112.65	95.25
40/80	3.900	4.100	4.260	4.575	4.835	4.150	99.06	104.14	108.20	116.21	122.81	105.41
43/86	4.200	4.400	4.560	4.875	5.135	4.450	106.68	111.76	115.82	123.83	130.43	113.03
44/88	4.300	4.500	4.660	4.975	5.235	4.550	109.22	114.30	118.36	126.37	132.97	115.57
50/100	4.900	5.100	5.260	5.575	5.835	5.150	124.46	129.54	133.60	141.61	148.21	130.81
55/110	5.400	5.600	5.760	6.075	6.335	5.650	137.16	142.24	146.30	154.31	160.91	143.51
60/120	5.900	6.100	6.260	6.575	6.835	6.150	149.86	154.94	159.00	167.01	173.61	156.21
61/122	6.000	6.200	6.360	6.675	6.935	6.250	152.40	157.48	161.54	169.55	176.15	158.75
65/130	6.400	6.600	6.760	7.075	7.335	6.650	162.56	167.64	171.70	179.71	186.31	168.91
70/140	6.900	7.100	7.260	7.575	7.835	7.150	175.26	180.34	184.40	192.41	199.01	181.61

Micro Plastics Card Edge

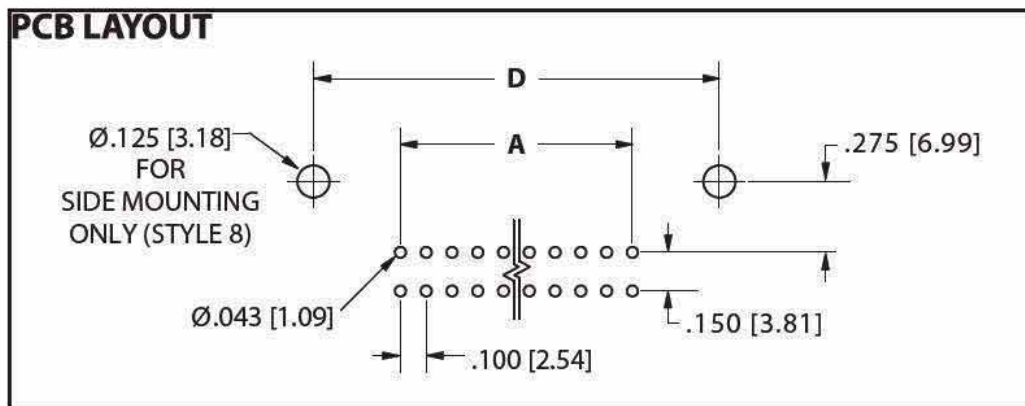
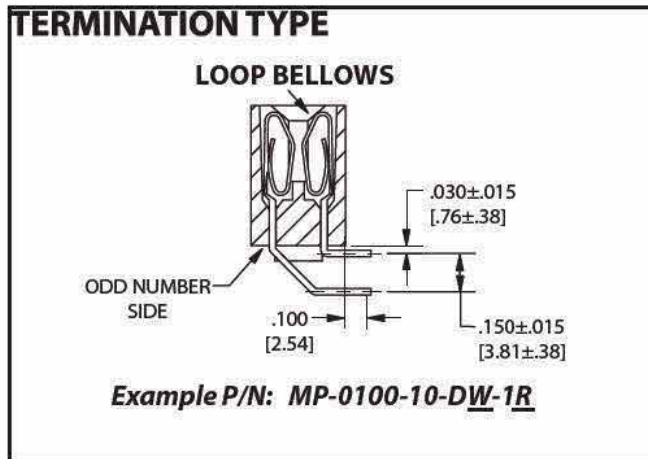
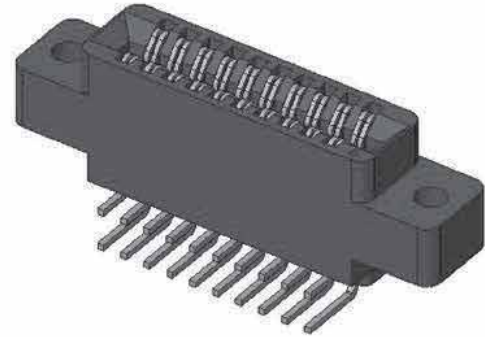


# Micro Plastics Card Edge

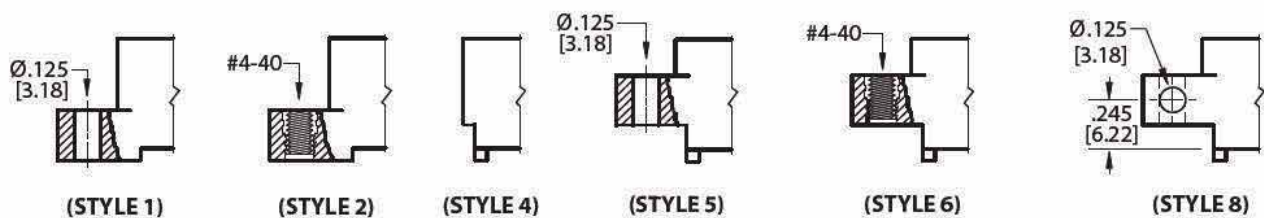
**.100" [2.54 mm] Contact Centers, .610" [15.49 mm] Insulator Height, Right Angle**

### SPECIFICATIONS

- Accommodates .062" ± .008" [1.57 ± 0.20] PC Board
- Insulator Material available in PBT, PPS or PA9T
- 3 Amp Current Rating per contact
- Insulator / Contact Specifications and Part Number Coding See Pages 114-115
- P/N 04-0004-000 for In Between Contact Polarizing Key See Page 158 (Sold Separately)
- Molded-in Key Available - Consult Factory



### MOUNTING STYLE





**PART NUMBER OPTIONS**

**MPSL - 0 100 - 10 - D W - 1 K R**

**PLATING - RoHS Compliant**

All Platings are Lead Free and have .000050" Nickel Underplate  
Contact Surface Termination  
\*MPSL = .000010" Gold .000100" Pure Tin, Matte  
\*MPL = .000100" Overall Pure Tin, Matte  
MP = .000010" Overall Gold  
\*Requires 'K' Modification Code

**INSULATOR MATERIAL\*\***

0 = PBT

**CONTACT CENTERS**

100 = .100" [2.54mm]

**NUMBER OF POSITIONS**

Contacts Per Row (See Position Chart Below)

**READOUT**

D = Dual

**MODIFICATION CODE\*\***

R = Right Angle

**PLATING MODIFICATION CODE\*\***

K = Required on MPSL or MPL Plating  
Omit for MP Plating (Overall Gold)

**MOUNTING STYLE (See Opposite Page)**

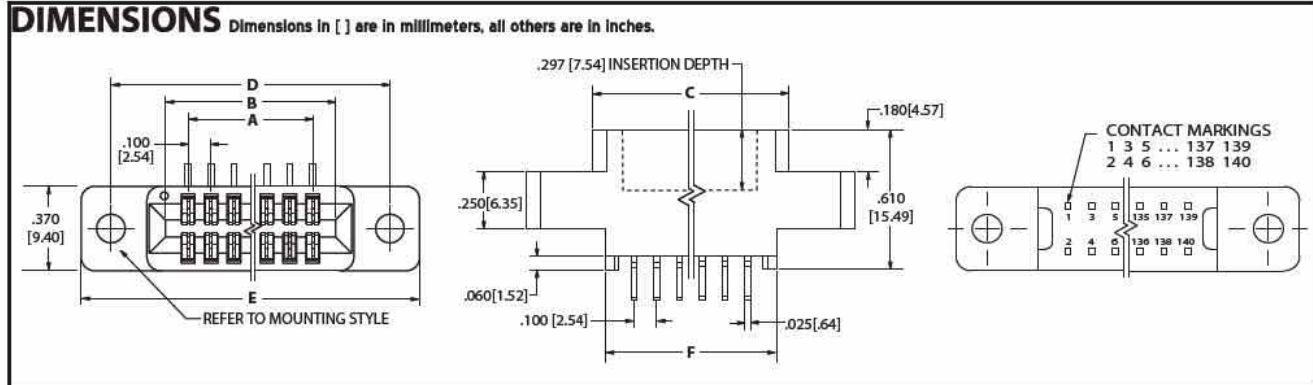
- 1 = .125" Clearance Hole
- 2 = #4-40 Threaded Insert
- 4 = No Mounting
- 5 = Raised, .125" Clearance Hole
- 6 = Raised, #4-40 Threaded Insert
- 8 = Raised, Side Mounting, .125" Clearance Hole

**TERMINATION TYPE (See Opposite Page)**

**LOOP BELLOWS**

W = .025 [.64] Square

\*\* See Pages 114-115 for Specifications and other Variations



POSITIONS/ CONTACTS	INCHES						[MILLIMETERS]					
	A±.008	B±.008	C±.015	D±.010	E±.020	F±.015	A±0.20	B±0.20	C±0.38	D±0.25	E±0.51	F±0.38
06/12	0.500	0.700	0.860	1.175	1.435	0.750	12.70	17.78	21.84	29.85	36.45	19.05
08/16	0.700	0.900	1.060	1.375	1.635	0.950	17.78	22.86	26.92	34.93	41.53	24.13
10/20	0.900	1.100	1.260	1.575	1.835	1.150	22.86	27.94	32.00	40.01	46.61	29.21
12/24	1.100	1.300	1.460	1.775	2.035	1.350	27.94	33.02	37.08	45.09	51.69	34.29
13/26	1.200	1.400	1.560	1.875	2.135	1.450	30.48	35.56	39.62	47.63	54.23	36.83
15/30	1.400	1.600	1.760	2.075	2.335	1.650	35.56	40.64	44.70	52.71	59.31	41.91
17/34	1.600	1.800	1.960	2.275	2.535	1.850	40.64	45.72	49.78	57.79	64.39	46.99
18/36	1.700	1.900	2.060	2.375	2.635	1.950	43.18	48.26	52.32	60.33	66.93	49.53
20/40	1.900	2.100	2.260	2.575	2.835	2.150	48.26	53.34	57.40	65.41	72.01	54.61
22/44	2.100	2.300	2.460	2.775	3.035	2.350	53.34	58.42	62.48	70.49	77.09	59.69
24/48	2.300	2.500	2.660	2.975	3.235	2.550	58.42	63.50	67.56	75.57	82.17	64.77
25/50	2.400	2.600	2.760	3.075	3.335	2.650	60.96	66.04	70.10	78.11	84.71	67.31
28/56	2.700	2.900	3.060	3.375	3.635	2.950	68.58	73.66	77.72	85.73	92.33	74.93
30/60	2.900	3.100	3.260	3.575	3.835	3.150	73.66	78.74	82.80	90.81	97.41	80.01
31/62	3.000	3.200	3.360	3.675	3.935	3.250	76.20	81.28	85.34	93.35	99.95	82.55
35/70	3.400	3.600	3.760	4.075	4.335	3.650	86.36	91.44	95.50	103.51	110.11	92.71
36/72	3.500	3.700	3.860	4.175	4.435	3.750	88.90	93.98	98.04	106.05	112.65	95.25
40/80	3.900	4.100	4.260	4.575	4.835	4.150	99.06	104.14	108.20	116.21	122.81	105.41
43/86	4.200	4.400	4.560	4.875	5.135	4.450	106.68	111.76	115.82	123.83	130.43	113.03
44/88	4.300	4.500	4.660	4.975	5.235	4.550	109.22	114.30	118.36	126.37	132.97	115.57
50/100	4.900	5.100	5.260	5.575	5.835	5.150	124.46	129.54	133.60	141.61	148.21	130.81
55/110	5.400	5.600	5.760	6.075	6.335	5.650	137.16	142.24	146.30	154.31	160.91	143.51
60/120	5.900	6.100	6.260	6.575	6.835	6.150	149.86	154.94	159.00	167.01	173.61	156.21
61/122	6.000	6.200	6.360	6.675	6.935	6.250	152.40	157.48	161.54	169.55	176.15	158.75
65/130	6.400	6.600	6.760	7.075	7.335	6.650	162.56	167.64	171.70	179.71	186.31	168.91
70/140	6.900	7.100	7.260	7.575	7.835	7.150	175.26	180.34	184.40	192.41	199.01	181.61

Micro Plastics Card Edge



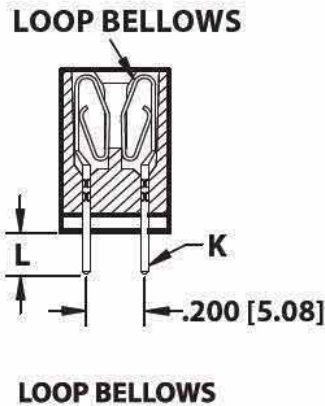
**.100" [2.54 mm] Contact Centers, .610" [15.49 mm] Insulator Height,  
Special 18/31 with Barrier, Dip Solder/Wire Wrap, [ISA]**

**SPECIFICATIONS**

- ISA Connector
- Accommodates .062" ± .008" [1.57 ± 0.20] PC Board
- Insulator Material available in PBT, PPS or PA9T
- 3 Amp Current Rating per contact
- Insulator / Contact Specifications and Part Number Options See Pages 114-115
- P/N 04-0004-000 for In Between Contact Polarizing Key See Page 158 (Sold Separately)
- Molded-in Key Available - Consult Factory

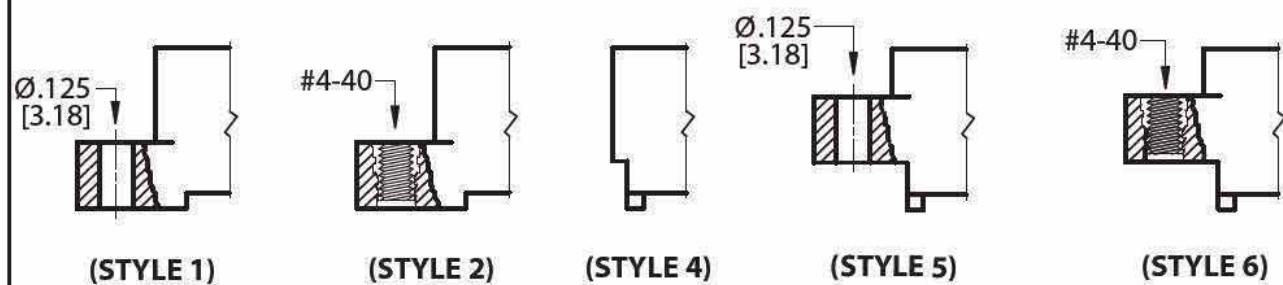


**TERMINATION TYPE**



TERMINATION CODE	MODIFICATION CODE	TYPE	POST CROSS SECTION K	POST LENGTH L	FITS MIN. HOLE SIZE	EXAMPLE PART NUMBER
R	H	Dip Solder	.025 [0.64] Round	.190 [4.83]	.033 [0.84]	<i>MPSL-0100-18/31-DR-1HK</i>
R	H(.165)	Dip Solder	.025 [0.64] Round	.165 [4.19]	.033 [0.84]	<i>MPSL-0100-18/31-DR-1HK(.165)</i>
W	H	Dip Solder	.025 [0.64] Square	.190 [4.83]	.040 [1.02]	<i>MPSL-0100-18/31-DW-1HK</i>
W	OMIT	Wire Wrap	.025 [0.64] Square	.560 [14.20]	.040 [1.02]	<i>MPSL-0100-18/31-DW-1K</i>

**MOUNTING STYLE**



Micro Plastics Card Edge

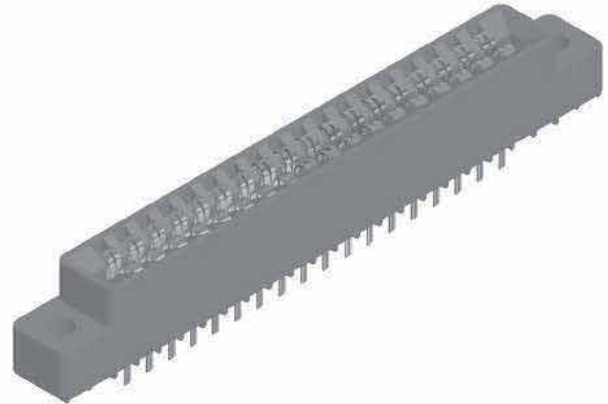




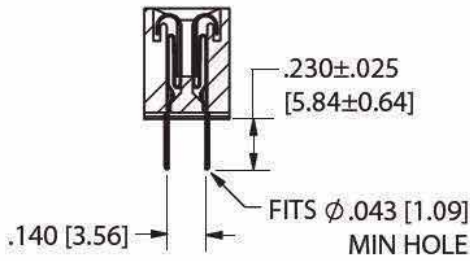
**.125" [3.18 mm] Contact Centers, .431" [10.95 mm] Insulator Height,  
Dip Solder**

**SPECIFICATIONS**

- Accommodates .062" ± .008" [1.57 ± 0.20] PC Board
- Insulator Material available in PBT, PPS or PA9T
- 3 Amp Current Rating per contact
- Insulator / Contact Specifications and Part Number Options See Pages 114-115
- Row Spacing Available in .140" or .200" (Use Modification Code 'X9' for .200")
- P/N 04-0003-000 for In Between Contact Polarizing Key See Page 158 (Sold Separately)
- Molded-in Key Available - Consult Factory

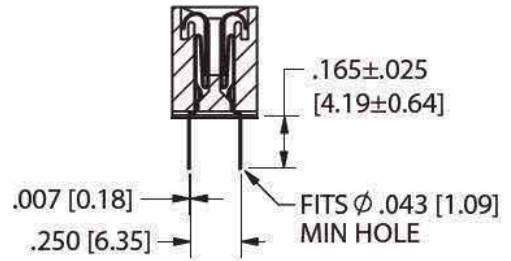


**TERMINATION TYPE**



**DIP SOLDER (S)  
.140" ROW SPACING**

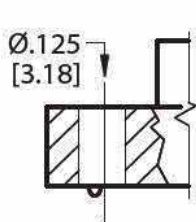
*Example P/N: MPSL-0125-10-DS-1K*



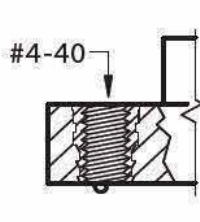
**DIP SOLDER (S)  
.250" ROW SPACING  
REQUIRES 'X9' MODIFICATION CODE**

*Example P/N: MPSL-0125-10-DS-1KX9*

**MOUNTING STYLE**



(STYLE 1)



(STYLE 2)



(STYLE 3)



(STYLE 4)



**PART NUMBER OPTIONS**

**MPL - 0 125 - 10 - D S - 1 K**

**PLATING - RoHS Compliant**

All Platings are Lead Free and have .000050" Nickel Underplate

Contact Surface	Termination
*MPSL = .000010" Gold	.000100" Pure Tin, Matte
*MPL = .000100" Overall Pure Tin, Matte	
MP = .000010" Overall Gold	

\*Requires 'K' Modification Code

**INSULATOR MATERIAL\*\***

0 = PBT

**CONTACT CENTERS**

125 = .125" [3.18mm]

**NUMBER OF POSITIONS**

Contacts Per Row (See Position Chart Below)

**MODIFICATION CODE\*\***

K = Required on MPSL or MPL Plating  
Omit for MP Plating (Overall Gold)  
X9 = .250" Row Spacing

**MOUNTING STYLE** (See Opposite Page)

- 1 = .125" Clearance Hole
- 2 = #4-40 Threaded Insert
- 3 = Floating Bobbin
- 4 = No Mounting

**TERMINATION TYPE** (See Opposite Page)

S = Dip Solder

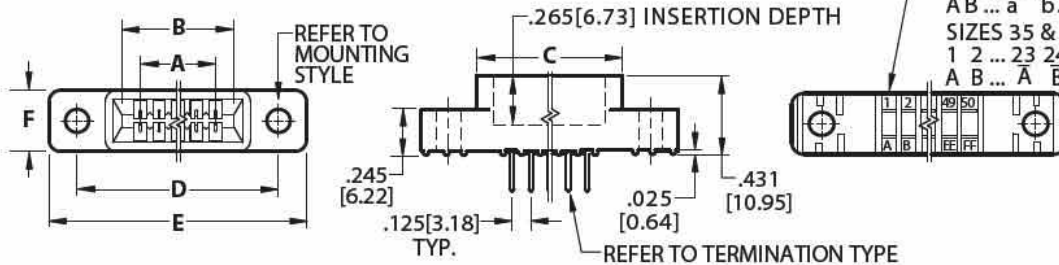
**READOUT**

D = Dual

\*\* See Pages 114-115 for Specifications and other Variatio

**DIMENSIONS**

Dimensions in [ ] are in millimeters, all others are in inches.



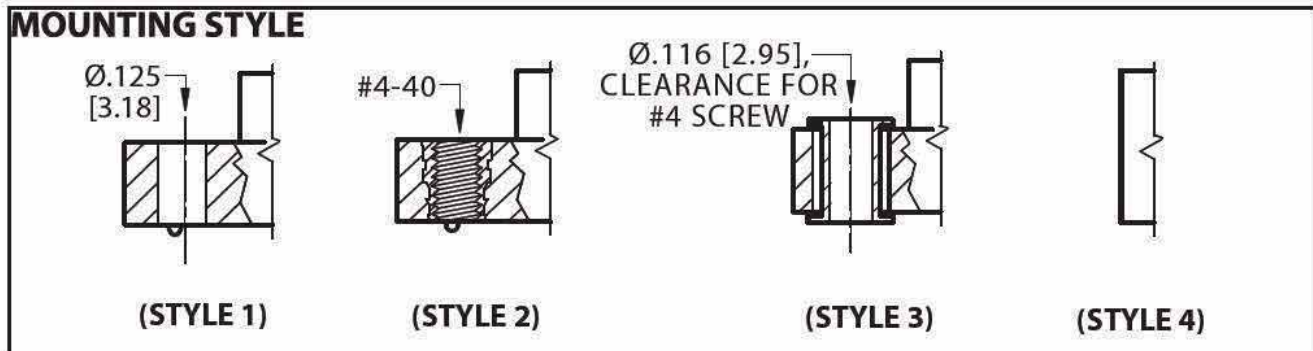
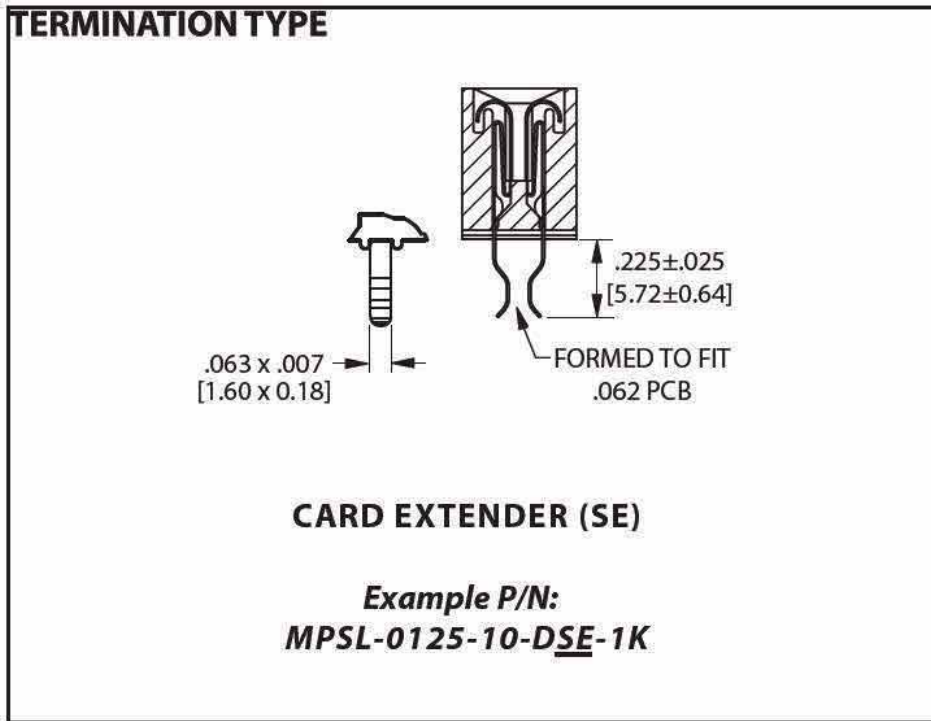
**CONTACT MARKINGS**  
(Letters G, I, O & Q Not Used)  
Sizes 06 Thru 50, Except 35 & 36  
1 2 ...23 24... 45 46 ...  
A B ... a b...AA BB...  
SIZES 35 & 36  
1 2 ... 23 24 ...  
A B ... A B ...

POSITIONS/ CONTACTS	INCHES						MILLIMETERS					
	A±.008	B±.008	C±.015	D±.010	E±.020	F±.005	A±0.20	B±0.20	C±0.38	D±0.25	E±0.51	F±0.13
06/12	0.625	0.875	1.035	1.295	1.575	0.330	15.88	22.23	26.29	32.89	40.01	8.38
10/20	1.125	1.375	1.535	1.795	2.075		28.58	34.93	38.99	45.59	52.71	
14/28	1.625	1.875	2.035	2.295	2.575		41.28	47.63	51.69	58.29	65.41	
15/30	1.750	2.000	2.160	2.420	2.700		44.45	50.80	54.86	61.47	68.58	
18/36	2.125	2.375	2.535	2.795	3.075		53.98	60.33	64.39	70.99	78.11	
22/44	2.625	2.875	3.035	3.295	3.575		66.68	73.03	77.09	83.69	90.81	
28/56	3.375	3.625	3.785	4.045	4.325		85.73	92.08	96.14	102.74	109.86	
30/60	3.625	3.875	4.035	4.295	4.575		92.08	98.43	102.49	109.09	116.21	
31/62	3.750	4.000	4.160	4.420	4.700		95.25	101.60	105.66	112.27	119.38	
35/70	4.250	4.500	4.660	4.920	5.200		107.95	114.30	118.36	124.97	132.08	
36/72	4.375	4.625	4.785	5.045	5.325		111.13	117.48	121.54	128.14	135.26	
37/74	4.500	4.750	4.910	5.170	5.450		114.30	120.65	124.71	131.32	138.43	
40/80	4.875	5.125	5.285	5.545	5.825		123.83	130.18	134.24	140.84	147.96	
43/86	5.250	5.500	5.660	5.920	6.200		133.35	139.70	143.76	150.37	157.48	
44/88	5.375	5.625	5.785	6.045	6.325	136.53	142.88	146.94	153.54	160.66		
49/98	6.000	6.250	6.410	6.670	6.950	152.40	158.75	162.81	169.42	176.53		
50/100	6.125	6.375	6.535	6.795	7.075	155.58	161.93	165.99	172.59	179.71		
						0.370						9.40



**SPECIFICATIONS**

- Accommodates  $.062" \pm .008"$  [1.57 ± 0.20] PC Board
- Insulator Material available in PBT, PPS or PA9T
- 3 Amp Current Rating per contact
- Insulator / Contact Specifications and Part Number Options See Pages 114-115
- P/N 04-0003-000 for In Between Contact Polarizing Key See Page 158 (Sold Separately)
- Molded-in Key Available - Consult Factory





**PART NUMBER OPTIONS**

**MPSL - 0 125 - 10 - D SE - 1 K**

**PLATING - RoHS Compliant**

All Platings are Lead Free and have .000050" Nickel Underplate

**Contact Surface Termination**

- \*MPSL = .000010" Gold .000100" Pure Tin Matte
- \*MPL = .000100" Overall Pure Tin, Matte
- MP = .000010" Overall Gold

\* Requires 'K' Modification Code

Other Plating and thicknesses available upon request

**INSULATOR MATERIAL\*\***

0 = PBT

**CONTACT CENTERS**

125 = .125" [3.18mm]

**NUMBER OF POSITIONS**

Contacts Per Row (See Position Chart Below)

**PLATING MODIFICATION CODE\*\***

K = Required on MPSL or MPL Plating  
Omit for MP Plating (Overall Gold)

**MOUNTING STYLE (See Opposite Page)**

- 1 = .125" Clearance Hole
- 2 = #4-40 Threaded Insert
- 3 = Floating Bobbin
- 4 = No Mounting

**TERMINATION TYPE (See Opposite Page)**

SE = Card Extender

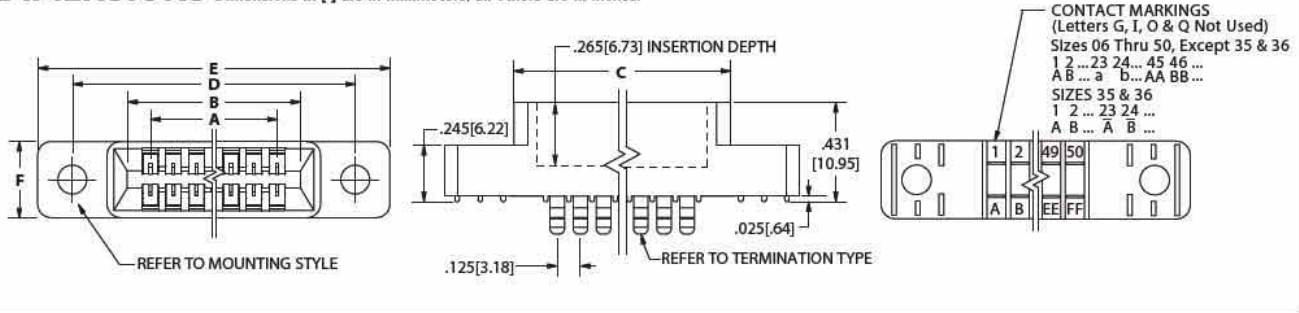
**READOUT**

D = Dual

\*\* See Pages 114-115 for Specifications and other Variations

**DIMENSIONS**

Dimensions in [ ] are in millimeters, all others are in inches.



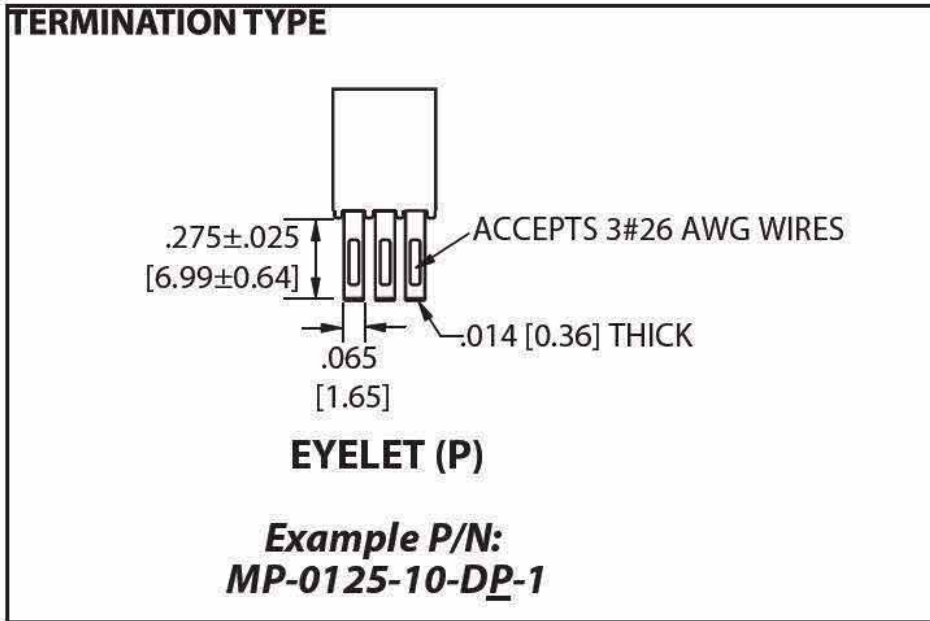
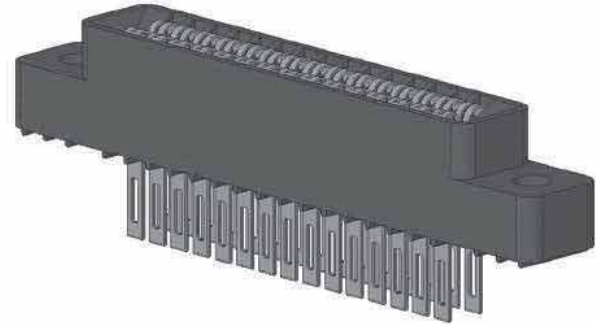
POSITIONS/ CONTACTS	INCHES						MILLIMETERS						
	A±.008	B±.008	C±.015	D±.010	E±.020	F±.005	A±0.20	B±0.20	C±0.38	D±0.25	E±0.51	F±0.13	
06/12	0.625	0.875	1.035	1.295	1.575	0.330	15.88	22.23	26.29	32.89	40.01	8.38	
10/20	1.125	1.375	1.535	1.795	2.075		28.58	34.93	38.99	45.59	52.71		
14/28	1.625	1.875	2.035	2.295	2.575		41.28	47.63	51.69	58.29	65.41		
15/30	1.750	2.000	2.160	2.420	2.700		44.45	50.80	54.86	61.47	68.58		
18/36	2.125	2.375	2.535	2.795	3.075		53.98	60.33	64.39	70.99	78.11		
22/44	2.625	2.875	3.035	3.295	3.575		66.68	73.03	77.09	83.69	90.81		
28/56	3.375	3.625	3.785	4.045	4.325		85.73	92.08	96.14	102.74	109.86		
30/60	3.625	3.875	4.035	4.295	4.575		92.08	98.43	102.49	109.09	116.21		
31/62	3.750	4.000	4.160	4.420	4.700		95.25	101.60	105.66	112.27	119.38		
35/70	4.250	4.500	4.660	4.920	5.200		107.95	114.30	118.36	124.97	132.08		
36/72	4.375	4.625	4.785	5.045	5.325		111.13	117.48	121.54	128.14	135.26		
37/74	4.500	4.750	4.910	5.170	5.450		114.30	120.65	124.71	131.32	138.43		
40/80	4.875	5.125	5.285	5.545	5.825		123.83	130.18	134.24	140.84	147.96		9.40
43/86	5.250	5.500	5.660	5.920	6.200		133.35	139.70	143.76	150.37	157.48		
44/88	5.375	5.625	5.785	6.045	6.325	136.53	142.88	146.94	153.54	160.66			
49/98	6.000	6.250	6.410	6.670	6.950	152.40	158.75	162.81	169.42	176.53			
50/100	6.125	6.375	6.535	6.795	7.075	155.58	161.93	165.99	172.59	179.71			



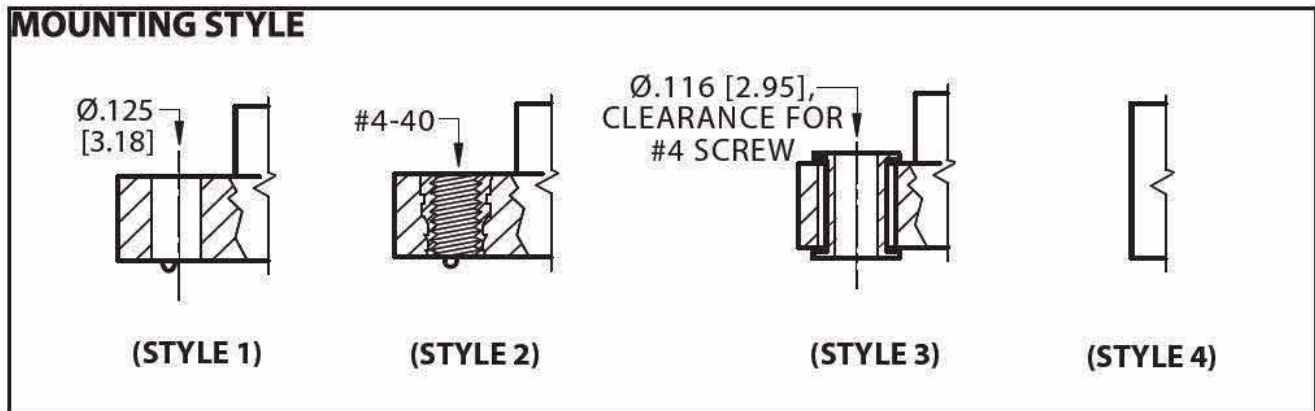
**.125" [3.18 mm] Contact Centers, .431" [10.95 mm] Insulator Height, Eyelet**

**SPECIFICATIONS**

- Accommodates .062" ± .008" [1.57 ± 0.20] PC Board
- Insulator Material available in PBT, PPS or PA9T
- 3 Amp Current Rating per contact
- Insulator / Contact Specifications and Part Number Options See Pages 114-115
- P/N 04-0004-000 for In Between Contact Polarizing Key See Page 158 (Sold Separately)
- Molded-in Key Available - Consult Factory

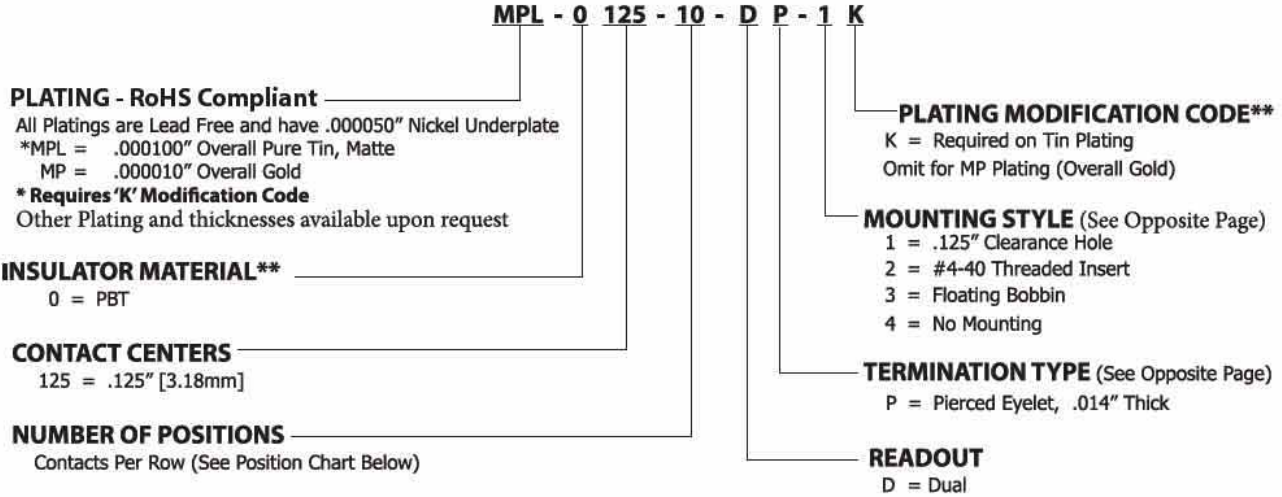


Micro Plastics Card Edge

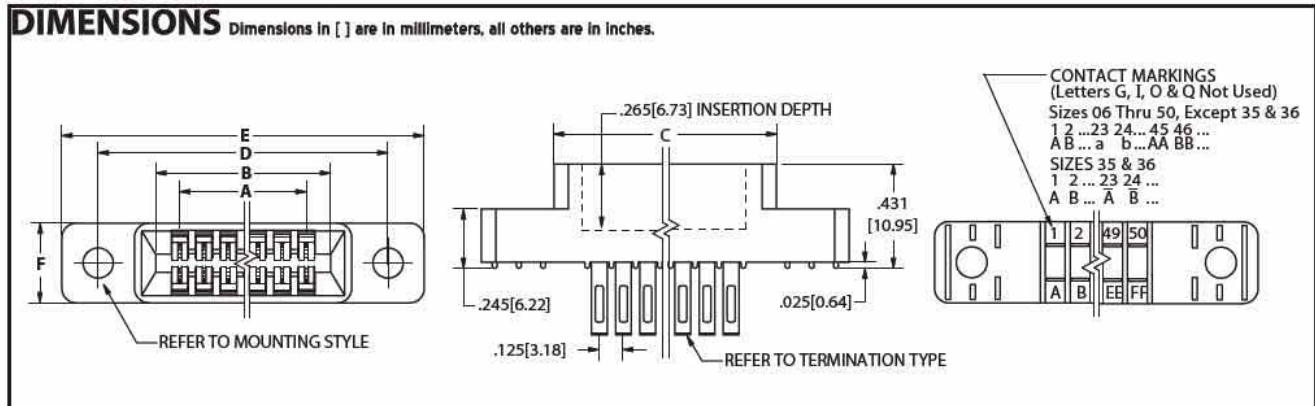




**PART NUMBER OPTIONS**



**\*\* See Pages 114-115 for Specifications and other Variations**



POSITIONS/ CONTACTS	INCHES						MILLIMETERS						
	A±.008	B±.008	C±.015	D±.010	E±.020	F±.005	A±0.20	B±0.20	C±0.38	D±0.25	E±0.51	F±0.13	
06/12	0.625	0.875	1.035	1.295	1.575	0.330	15.88	22.23	26.29	32.89	40.01	8.38	
10/20	1.125	1.375	1.535	1.795	2.075		28.58	34.93	38.99	45.59	52.71		
14/28	1.625	1.875	2.035	2.295	2.575		41.28	47.63	51.69	58.29	65.41		
15/30	1.750	2.000	2.160	2.420	2.700		44.45	50.80	54.86	61.47	68.58		
18/36	2.125	2.375	2.535	2.795	3.075		53.98	60.33	64.39	70.99	78.11		
22/44	2.625	2.875	3.035	3.295	3.575		66.68	73.03	77.09	83.69	90.81		
28/56	3.375	3.625	3.785	4.045	4.325		85.73	92.08	96.14	102.74	109.86		
30/60	3.625	3.875	4.035	4.295	4.575		92.08	98.43	102.49	109.09	116.21		
31/62	3.750	4.000	4.160	4.420	4.700		95.25	101.60	105.66	112.27	119.38		
35/70	4.250	4.500	4.660	4.920	5.200		107.95	114.30	118.36	124.97	132.08		
36/72	4.375	4.625	4.785	5.045	5.325		111.13	117.48	121.54	128.14	135.26		
37/74	4.500	4.750	4.910	5.170	5.450		114.30	120.65	124.71	131.32	138.43		
40/80	4.875	5.125	5.285	5.545	5.825		123.83	130.18	134.24	140.84	147.96		9.40
43/86	5.250	5.500	5.660	5.920	6.200		133.35	139.70	143.76	150.37	157.48		
44/88	5.375	5.625	5.785	6.045	6.325	136.53	142.88	146.94	153.54	160.66			
49/98	6.000	6.250	6.410	6.670	6.950	152.40	158.75	162.81	169.42	176.53			
50/100	6.125	6.375	6.535	6.795	7.075	155.58	161.93	165.99	172.59	179.71			

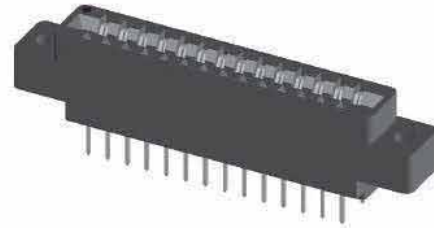
Micro Plastics Card Edge



**.125" [3.18 mm] Contact Centers, .610" [15.49 mm] Insulator Height,  
Wire Wrap & Dip Solder**

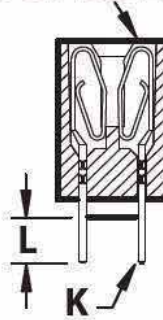
**SPECIFICATIONS**

- Accommodates .062" ± .008" [1.57 ± 0.20] PC Board
- Insulator Material available in PBT, PPS or PA9T
- 3 Amp Current Rating per contact
- Insulator / Contact Specifications and Part Number Options See Pages 114-115
- P/N 04-0004-000 for In Between Contact Polarizing Key See Page 158 (Sold Separately)
- Molded-in Key Available - Consult Factory



**TERMINATION TYPE**

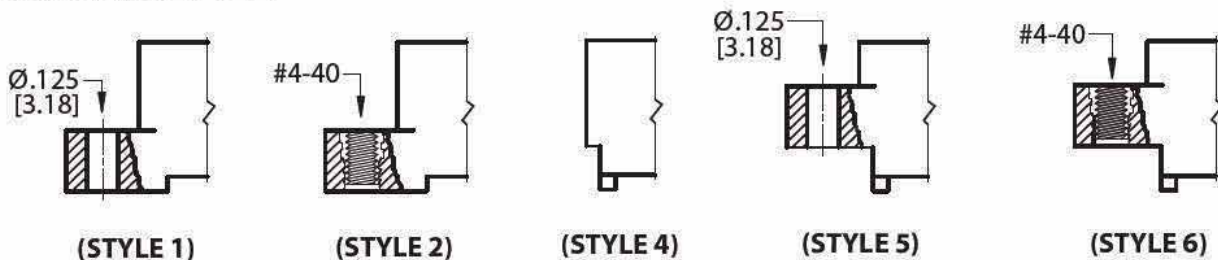
**LOOP BELLOWS**



**LOOP BELLOWS**

TERMINATION CODE	MODIFICATION CODE	TYPE	POST CROSS SECTION K	POST LENGTH L	FITS MIN. HOLE SIZE	EXAMPLE PART NUMBER
R	H	Dip Solder	.025 [0.64] Round	.190 [4.83]	.033 [0.84]	<i>MPSL-0125-10-DR-1HK</i>
R	H(.165)	Dip Solder	.025 [0.64] Round	.165 [4.19]	.033 [0.84]	<i>MPSL-0125-10-DR-1HK(.165)</i>
W	H	Dip Solder	.025 [0.64] Square	.190 [4.83]	.040 [1.02]	<i>MPSL-0125-10-DW-1HK</i>
W	OMIT	Wire Wrap	.025 [0.64] Square	.560 [14.20]	.040 [1.02]	<i>MPSL-0125-10-DW-1K</i>

**MOUNTING STYLE**



Micro Plastics Card Edge



**PART NUMBER OPTIONS**

**MPSL - 0 125 - 10 - D W - 1 H K**

**PLATING - RoHS Compliant**

All Platings are Lead Free and have .000050" Nickel Underplate

**Contact Surface Termination**

\*MPSL = .000010" Gold .000100" Pure Tin, Matte

\*MPL = .000100" Overall Pure Tin, Matte

MP = .000010" Overall Gold

\*Requires 'K' Modification Code

**INSULATOR MATERIAL\*\***

0 = PBT

**CONTACT CENTERS**

125 = .125" [3.18mm]

**NUMBER OF POSITIONS**

Contacts Per Row (See Position Chart Below)

**READOUT**

D = Dual

**PLATING MODIFICATION CODE\*\***

K = Required on MPSL or MPL Plating  
Omit for MP Plating (Overall Gold)

**MODIFICATION CODE\*\***

(See Opposite Page)

H = Dip Solder .190[4.83] Tail Length  
(.025 Round or .025 Square)

H(.165) = Dip Solder .165[4.19] Tail Length  
(.025 Round Only)

**MOUNTING STYLE** (See Opposite Page)

1 = .125" Clearance Hole

2 = #4-40 Threaded Insert

4 = No Mounting

5 = Raised, .125" Clearance Hole

6 = Raised, #4-40 Threaded Insert

**TERMINATION TYPE** (See Opposite Page)

**LOOP BELLOWS**

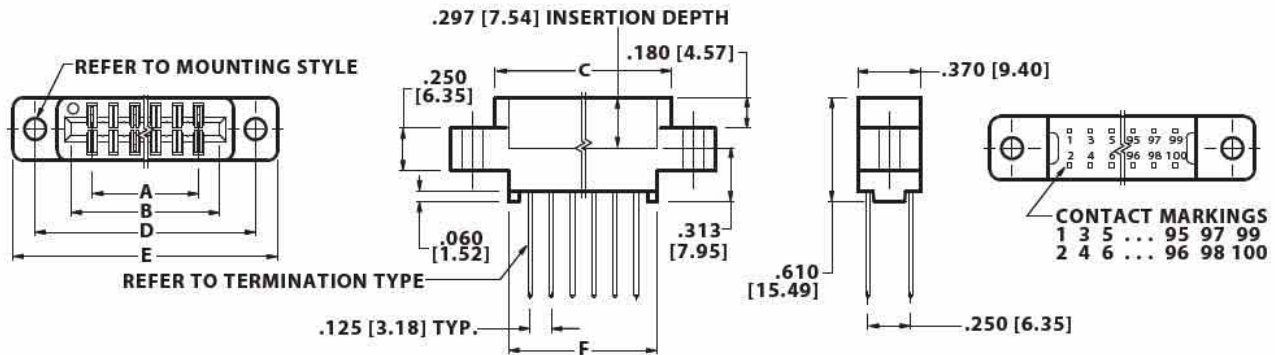
R = .025[.64mm] Round

W = .025[.64mm] Square

\*\* See Pages 114-115 for Specifications and other Variations

**DIMENSIONS**

Dimensions in [ ] are in millimeters, all others are in inches.



POSITIONS/ CONTACTS	INCHES						MILLIMETERS					
	A±.008	B±.008	C±.015	D±.010	E±.020	F±.015	A±0.20	B±0.20	C±0.38	D±0.25	E±0.51	F±0.38
06/12	0.625	0.875	1.035	1.295	1.555	0.875	15.88	22.23	26.29	32.89	39.50	22.23
10/20	1.125	1.375	1.535	1.795	2.055	1.375	28.58	34.93	38.99	45.59	52.20	34.93
14/28	1.625	1.875	2.035	2.295	2.555	1.875	41.28	47.63	51.69	58.29	64.90	47.63
15/30	1.750	2.000	2.160	2.420	2.680	2.000	44.45	50.80	54.86	61.47	68.07	50.80
18/36	2.125	2.375	2.535	2.795	3.055	2.375	53.98	60.33	64.39	70.99	77.60	60.33
22/44	2.625	2.875	3.035	3.295	3.555	2.875	66.68	73.03	77.09	83.69	90.30	73.03
24/48	2.875	3.125	3.285	3.545	3.805	3.125	73.03	79.38	83.44	90.04	96.65	79.38
28/56	3.375	3.625	3.785	4.045	4.305	3.625	85.73	92.08	96.14	102.74	109.35	92.08
30/60	3.625	3.875	4.035	4.295	4.555	3.875	92.08	98.43	102.49	109.09	115.70	98.43
31/62	3.750	4.000	4.160	4.420	4.680	4.000	95.25	101.60	105.66	112.27	118.87	101.60
32/64	3.875	4.125	4.285	4.545	4.805	4.125	98.43	104.78	108.84	115.44	122.05	104.78
35/70	4.250	4.500	4.660	4.920	5.180	4.500	107.95	114.30	118.36	124.97	131.57	114.30
36/72	4.375	4.625	4.785	5.045	5.305	4.625	111.13	117.48	121.54	128.14	134.75	117.48
40/80	4.875	5.125	5.285	5.545	5.805	5.125	123.83	130.18	134.24	140.84	147.45	130.18
43/86	5.250	5.500	5.660	5.920	6.180	5.500	133.35	139.70	143.76	150.37	156.97	139.70
44/88	5.375	5.625	5.785	6.045	6.305	5.625	136.53	142.88	146.94	153.54	160.15	142.88
49/98	6.000	6.250	6.410	6.670	6.930	6.250	152.40	158.75	162.81	169.42	176.02	158.75
50/100	6.125	6.375	6.535	6.795	7.055	6.375	155.58	161.93	165.99	172.59	179.20	161.93

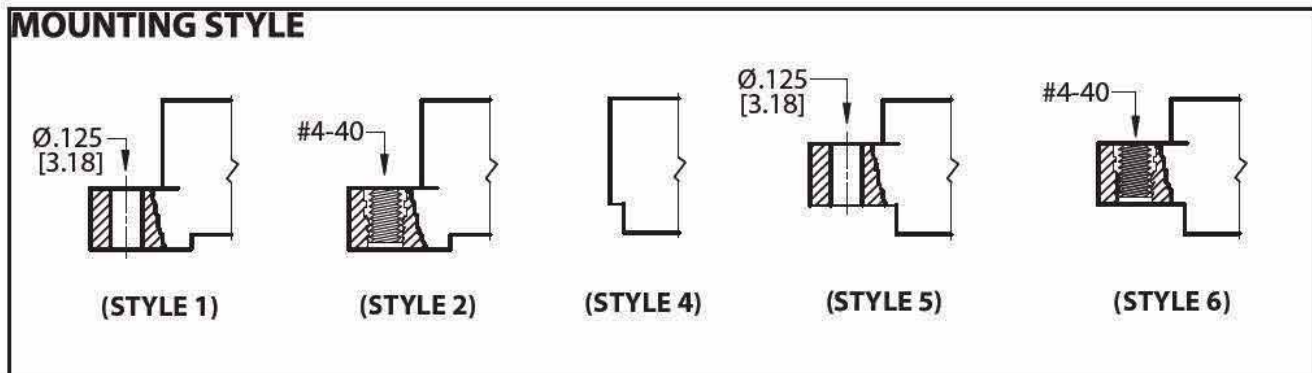
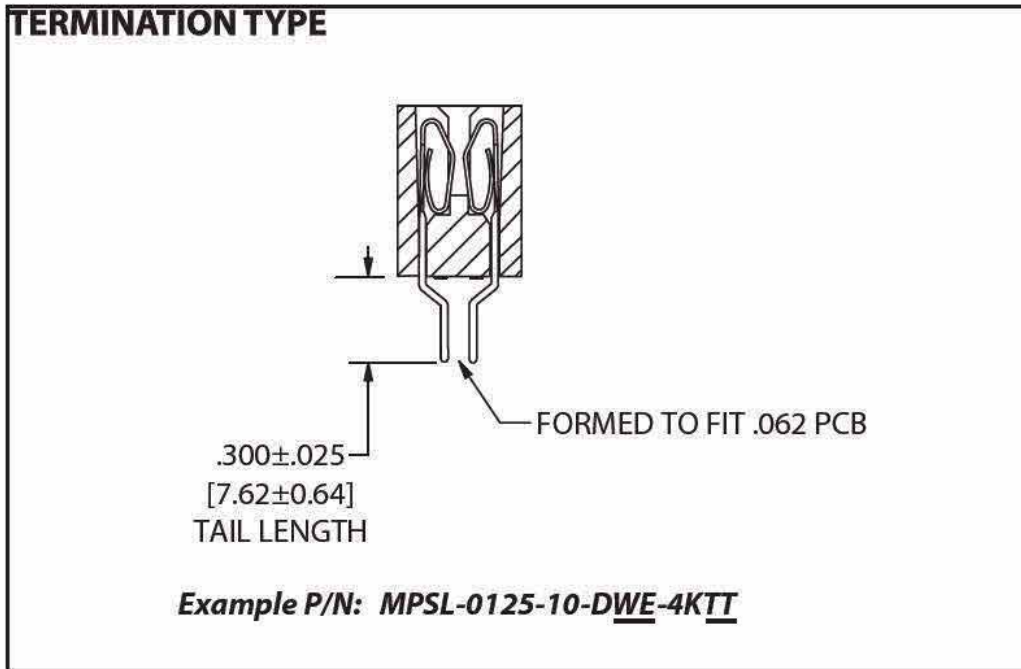
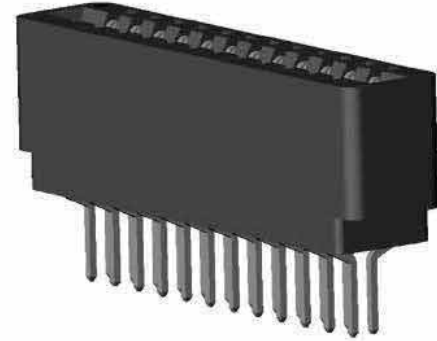


# Micro Plastics Card Edge

**.125" [3.18 mm] Contact Centers, .550" [13.90 mm] Insulator Height,  
.025" [.64 mm] Square Card Extender**

### SPECIFICATIONS

- Accommodates .062" ± .008" [1.57 ± 0.20] PC Board
- Insulator Material available in PBT, PPS or PA9T
- 3 Amp Current Rating per contact
- Insulator / Contact Specifications and Part Number Options See Pages 114-115
- P/N 04-0004-000 for In Between Contact Polarizing Key See Page 158 (Sold Separately)
- Molded-in Key Available - Consult Factory





**.125" [3.18 mm] Contact Centers, .550" [13.90 mm] Insulator Height, .025" [0.64 mm] Square Card Extender**

**PART NUMBER OPTIONS**

**MPSL - 0 125 - 10 - D WE - 4 K TT**

**PLATING - RoHS Compliant**

All Platings are Lead Free and have .000050" Nickel Underplate

**Contact Surface Termination**

- \*MPSL = .000010" Gold .000100" Pure Tin, Matte
- \*MPL = .000100" Overall Pure Tin, Matte
- MP = .000010" Overall Gold

\*Requires 'K' Modification Code

**INSULATOR MATERIAL\*\***

0 = PBT

**CONTACT CENTERS**

125 = .125" [3.18mm]

**NUMBER OF POSITIONS**

Contacts Per Row (See Position Chart Below)

**READOUT**

D = Dual

**MODIFICATION CODE\*\***  
TT = No Standoffs

**PLATING MODIFICATION CODE\*\***  
K = Required on MPSL or MPL Plating  
Omit for MP Plating (Overall Gold)

**MOUNTING STYLE** (See Opposite Page)

- 1 = .125" Clearance Hole
- 2 = #4-40 Threaded Insert
- 4 = No Mounting
- 5 = Raised, .125" Clearance Hole
- 6 = Raised, #4-40 Threaded Insert

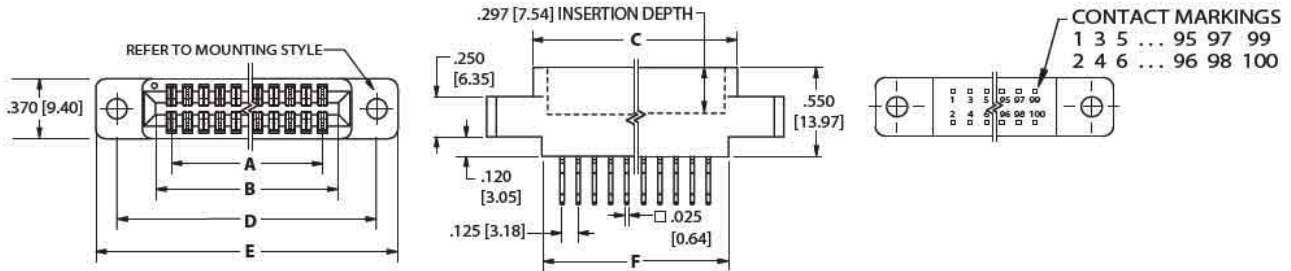
**TERMINATION TYPE** (See Opposite Page)

WE = Card Extender

\*\* See Pages 114-115 for Specifications and other Variations

**DIMENSIONS**

Dimensions in [ ] are in millimeters, all others are in inches.



POSITIONS/ CONTACTS	INCHES						MILLIMETERS					
	A±.008	B±.008	C±.015	D±.010	E±.020	F±.015	A±0.20	B±0.20	C±0.38	D±0.25	E±0.51	F±0.38
06/12	0.625	0.875	1.035	1.295	1.555	0.875	15.88	22.23	26.29	32.89	39.50	22.23
10/20	1.125	1.375	1.535	1.795	2.055	1.375	28.58	34.93	38.99	45.59	52.20	34.93
14/28	1.625	1.875	2.035	2.295	2.555	1.875	41.28	47.63	51.69	58.29	64.90	47.63
15/30	1.750	2.000	2.160	2.420	2.680	2.000	44.45	50.80	54.86	61.47	68.07	50.80
18/36	2.125	2.375	2.535	2.795	3.055	2.375	53.98	60.33	64.39	70.99	77.60	60.33
22/44	2.625	2.875	3.035	3.295	3.555	2.875	66.68	73.03	77.09	83.69	90.30	73.03
24/48	2.875	3.125	3.285	3.545	3.805	3.125	73.03	79.38	83.44	90.04	96.65	79.38
28/56	3.375	3.625	3.785	4.045	4.305	3.625	85.73	92.08	96.14	102.74	109.35	92.08
30/60	3.625	3.875	4.035	4.295	4.555	3.875	92.08	98.43	102.49	109.09	115.70	98.43
31/62	3.750	4.000	4.160	4.420	4.680	4.000	95.25	101.60	105.66	112.27	118.87	101.60
32/64	3.875	4.125	4.285	4.545	4.805	4.125	98.43	104.78	108.84	115.44	122.05	104.78
35/70	4.250	4.500	4.660	4.920	5.180	4.500	107.95	114.30	118.36	124.97	131.57	114.30
36/72	4.375	4.625	4.785	5.045	5.305	4.625	111.13	117.48	121.54	128.14	134.75	117.48
40/80	4.875	5.125	5.285	5.545	5.805	5.125	123.83	130.18	134.24	140.84	147.45	130.18
43/86	5.250	5.500	5.660	5.920	6.180	5.500	133.35	139.70	143.76	150.37	156.97	139.70
44/88	5.375	5.625	5.785	6.045	6.305	5.625	136.53	142.88	146.94	153.54	160.15	142.88
49/98	6.000	6.250	6.410	6.670	6.930	6.250	152.40	158.75	162.81	169.42	176.02	158.75
50/100	6.125	6.375	6.535	6.795	7.055	6.375	155.58	161.93	165.99	172.59	179.20	161.93

Micro Plastics Card Edge

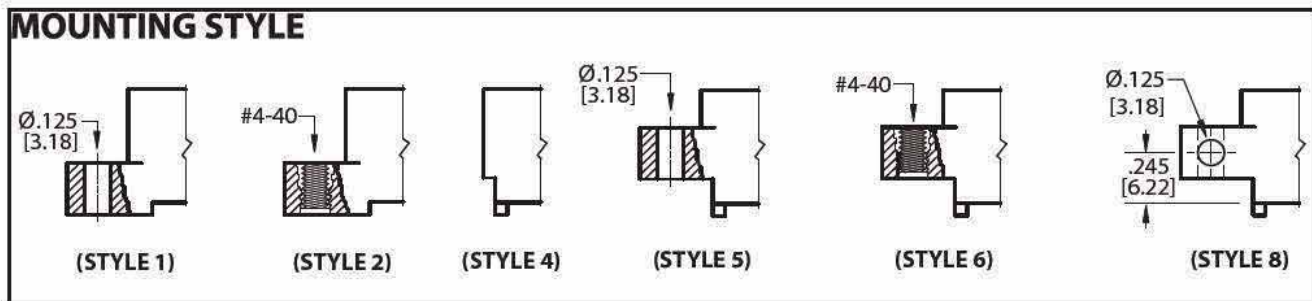
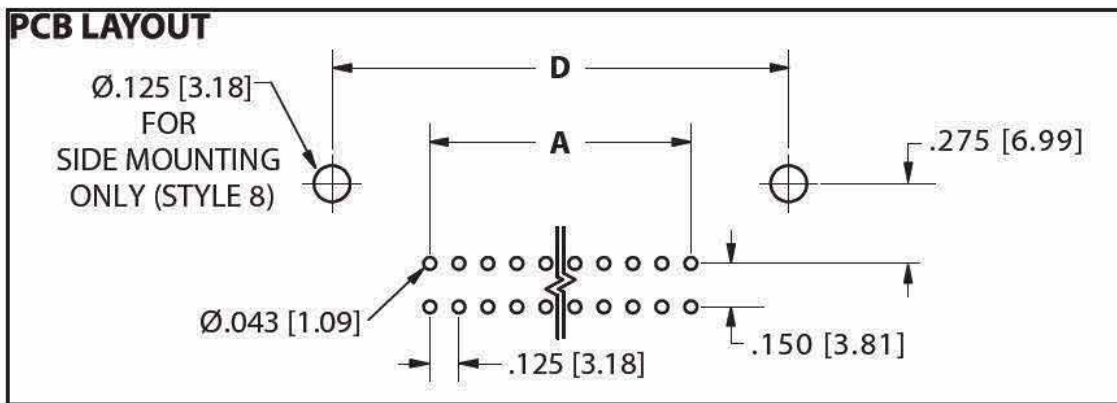
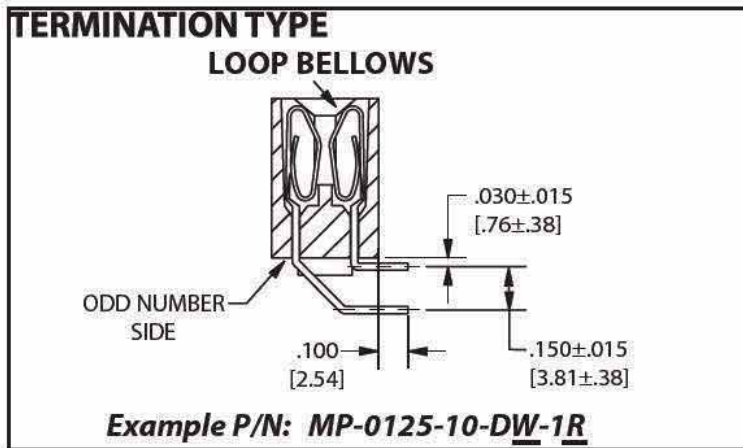
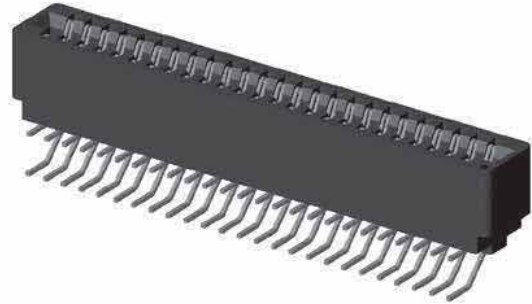


# Micro Plastics Card Edge

**.125" [3.18 mm] Contact Centers, .610" [15.49 mm] Insulator Height, Right Angle**

## SPECIFICATIONS

- Accommodates .062" ± .008" [1.57 ± 0.20] PC Board
- Insulator Material available in PBT, PPS or PA9T
- 3 Amp Current Rating per contact
- Insulator / Contact Specifications and Part Number Options See Pages 114-115
- P/N 04-0004-000 for In Between Contact Polarizing Key See Page 158 (Sold Separately)
- Molded-in Key Available - Consult Factory





**PART NUMBER OPTIONS**

**MPSL - 0 125 - 10 - D W - 1 K R**

**PLATING - RoHS Compliant**

All Platings are Lead Free and have .000050" Nickel Underplate

**Contact Surface                      Termination**

\*MPSL = .000010" Gold                      .000100" Pure Tin, Matte

\*MPL = .000100" Overall Pure Tin, Matte

MP = .000010" Overall Gold

\*Requires 'K' Modification Code

**MODIFICATION CODE\*\***  
R = Right Angle

**PLATING MODIFICATION CODE\*\***  
K = Required on MPSL or MPL Plating  
Omit for MP Plating (Overall Gold)

**MOUNTING STYLE** (See Opposite Page)

- 1 = .125" Clearance Hole
- 2 = #4-40 Threaded Insert
- 4 = No Mounting
- 5 = Raised, .125" Clearance Hole
- 6 = Raised, #4-40 Threaded Insert
- 8 = Raised, Side Mounting, .125" Clearance Hole

**TERMINATION TYPE** (See Opposite Page)

**LOOP BELLOWS**  
W = .025 [.64] Square

**INSULATOR MATERIAL\*\***

0 = PBT

**CONTACT CENTERS**

125 = .125" [3.18mm]

**NUMBER OF POSITIONS**

Contacts Per Row (See Position Chart Below)

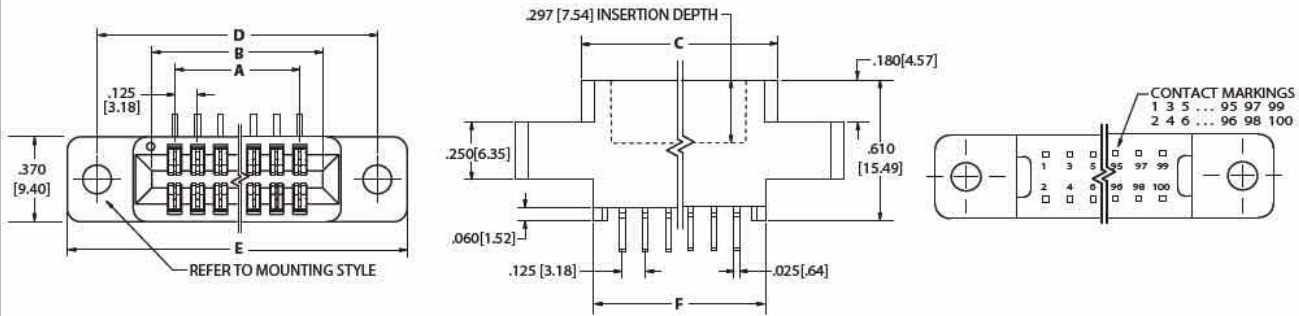
**READOUT**

D = Dual

\*\* See Pages 114-115 for Specifications and other Variations

**DIMENSIONS**

Dimensions in [ ] are in millimeters, all others are in inches.



POSITIONS/ CONTACTS	INCHES						MILLIMETERS					
	A±.008	B±.008	C±.015	D±.010	E±.020	F±.015	A±0.20	B±0.20	C±0.38	D±0.25	E±0.51	F±0.38
06/12	0.625	0.875	1.035	1.295	1.555	0.875	15.88	22.23	26.29	32.89	39.50	22.23
10/20	1.125	1.375	1.535	1.795	2.055	1.375	28.58	34.93	38.99	45.59	52.20	34.93
14/28	1.625	1.875	2.035	2.295	2.555	1.875	41.28	47.63	51.69	58.29	64.90	47.63
15/30	1.750	2.000	2.160	2.420	2.680	2.000	44.45	50.80	54.86	61.47	68.07	50.80
18/36	2.125	2.375	2.535	2.795	3.055	2.375	53.98	60.33	64.39	70.99	77.60	60.33
22/44	2.625	2.875	3.035	3.295	3.555	2.875	66.68	73.03	77.09	83.69	90.30	73.03
24/48	2.875	3.125	3.285	3.545	3.805	3.125	73.03	79.38	83.44	90.04	96.65	79.38
28/56	3.375	3.625	3.785	4.045	4.305	3.625	85.73	92.08	96.14	102.74	109.35	92.08
30/60	3.625	3.875	4.035	4.295	4.555	3.875	92.08	98.43	102.49	109.09	115.70	98.43
31/62	3.750	4.000	4.160	4.420	4.680	4.000	95.25	101.60	105.66	112.27	118.87	101.60
32/64	3.875	4.125	4.285	4.545	4.805	4.125	98.43	104.78	108.84	115.44	122.05	104.78
35/70	4.250	4.500	4.660	4.920	5.180	4.500	107.95	114.30	118.36	124.97	131.57	114.30
36/72	4.375	4.625	4.785	5.045	5.305	4.625	111.13	117.48	121.54	128.14	134.75	117.48
40/80	4.875	5.125	5.285	5.545	5.805	5.125	123.83	130.18	134.24	140.84	147.45	130.18
43/86	5.250	5.500	5.660	5.920	6.180	5.500	133.35	139.70	143.76	150.37	156.97	139.70
44/88	5.375	5.625	5.785	6.045	6.305	5.625	136.53	142.88	146.94	153.54	160.15	142.88
49/98	6.000	6.250	6.410	6.670	6.930	6.250	152.40	158.75	162.81	169.42	176.02	158.75
50/100	6.125	6.375	6.535	6.795	7.055	6.375	155.58	161.93	165.99	172.59	179.20	161.93

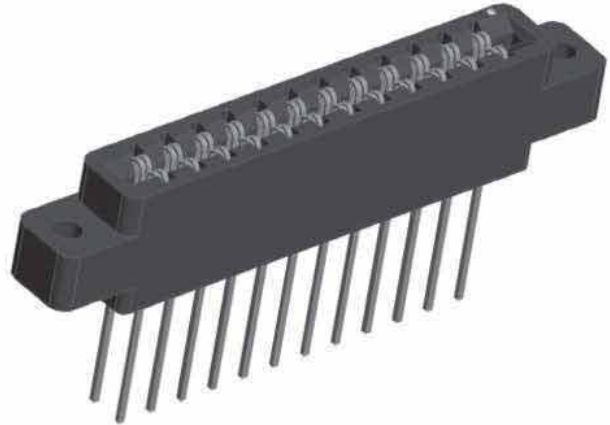
Micro Plastics Card Edge



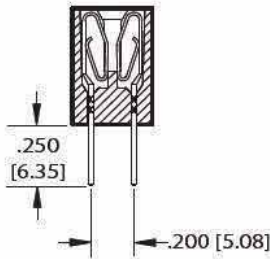
**.150" [3.81 mm] Contact Centers, .550" [13.90 mm] Insulator Height,  
.025" [.64 mm] Square & .026" [.66 mm] Round Dip Solder**

**SPECIFICATIONS**

- Accommodates .062" ± .008" [1.57 ± 0.20] PC Board
- Insulator Material available in PBT, PPS or PA9T
- 3 Amp Current Rating per contact
- Insulator / Contact Specifications and Part Number Options See Pages 114-115
- P/N 04-0004-000 for In Between Contact Polarizing Key See Page 158 (Sold Separately)
- Molded-in Key Available - Consult Factory

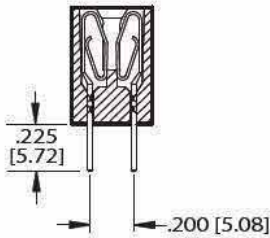


**TERMINATION TYPE**



**.250 [6.35] TAIL LENGTH**

Termination Code	Modification Code	Termination Type	Fits Min. Hole Size	Example Part Number
W	H	.025[.64] Sq	.040[1.02]	<b><i>MPSL-0150-18-DW-1HK</i></b>
R	H	.025[.64] Round	.033[0.84]	<b><i>MPSL-0150-18-DR-1HK</i></b>

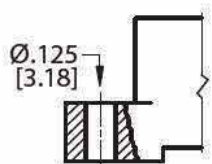


**.225 [5.72] TAIL LENGTH**

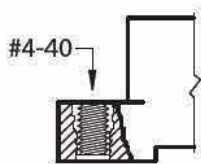
Termination Code	Modification Code	Termination Type	Fits Min. Hole Size	Example Part Number
R	H(.225)	.025[.64] Round	.033[0.84]	<b><i>MPSL-0150-18-DR-1HK(.225)</i></b>

Micro Plastics Card Edge

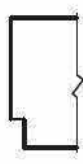
**MOUNTING STYLE**



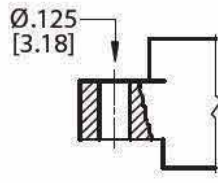
(STYLE 1)



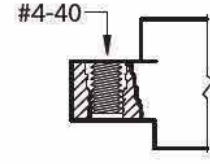
(STYLE 2)



(STYLE 4)



(STYLE 5)



(STYLE 6)



**.150" [3.81 mm] Contact Centers, .550" [13.90 mm] Insulator Height,  
.025" [.64 mm] Square & .025" [.66 mm] Round Dip Solder**

**PART NUMBER OPTIONS**

**MPSL - 0 150 - 18 - D W - 1 H K**

**PLATING - RoHS Compliant**

All Platings are Lead Free and have .000050" Nickle Underplate

**Contact Surface**                      **Termination**  
 \*MPSL = .000010" Gold                      .000100" Pure Tin Matte  
 \*MPL = .000100" Overall Pure Tin, Matte  
 MP = .000010" Overall Gold

\* Requires 'K' Modification Code

**INSULATOR MATERIAL\*\***

0 = PBT

**CONTACT CENTERS**

150 = .150" [3.81mm]

**NUMBER OF POSITIONS**

Contacts Per Row (See Position Chart Below)

**READOUT**

D = Dual

**PLATING MODIFICATION CODE\*\***

K = Required on MPSL or MPL Plating  
 Omit for MP Plating (Overall Gold)

**MODIFICATION CODE\*\***

(See Opposite Page)

H = Dip Solder .250[6.35] Tail Length  
 (.025 Round or .025 Square)  
 H(.225) = Dip Solder .225[5.72] Tail Length  
 (.025 Round Only)

**MOUNTING STYLE** (See Opposite Page)

- 1 = .125" Clearance Hole
- 2 = #4-40 Threaded Insert
- 4 = No Mounting
- 5 = Raised, .125" Clearance Hole
- 6 = Raised, #4-40 Threaded Insert

**TERMINATION TYPE** (See Opposite Page)

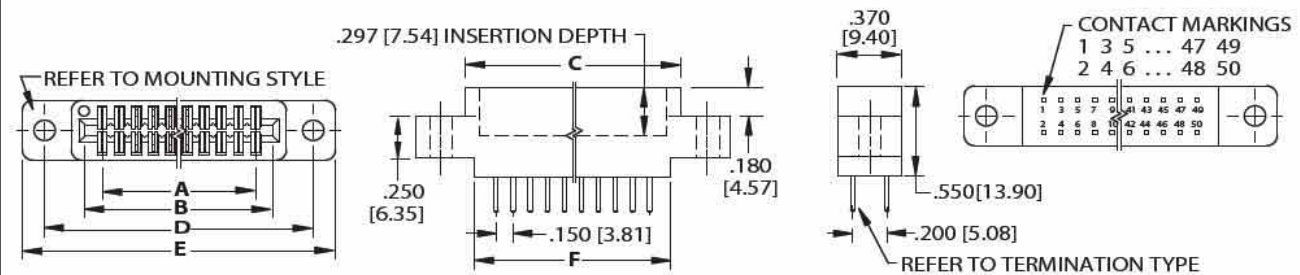
**LOOP BELLOWS**

- W = .025[.64mm] Square
- R = .025[.64mm] Round

\*\* See Pages 114-115 for Specifications and other Variations

**DIMENSIONS**

Dimensions in [ ] are in millimeters, all others are in inches.



POSITIONS/ CONTACTS	INCHES						[MILLIMETERS]					
	A±.010	B±.010	C±.015	D±.015	E±.020	F±.015	A±0.25	B±0.25	C±0.38	D±0.38	E±0.51	F±0.20
18/36	2.550	2.850	2.990	3.300	3.550	2.800	64.77	72.39	75.95	83.82	90.17	71.12
25/50	3.600	3.900	4.040	-----	-----	3.850	91.44	99.06	102.62	-----	-----	97.79
26/52	3.750	4.050	4.190	4.500	4.750	4.000	95.25	102.87	106.43	114.30	120.65	101.60
28/56	4.050	4.350	4.490	4.800	5.050	4.300	102.87	110.49	114.05	121.92	128.27	109.22
32/64	4.650	4.950	5.090	-----	-----	4.900	118.11	125.73	129.29	-----	-----	124.46
50/100	7.350	7.650	7.800	-----	-----	7.600	186.69	194.31	198.12	-----	-----	193.04



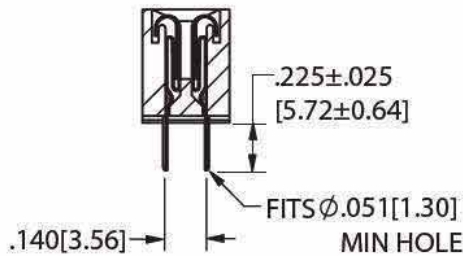
**.156" [3.96 mm] Contact Centers, .431" [10.95 mm] Insulator Height,  
Dip Solder**

## SPECIFICATIONS

- Accommodates  $.062" \pm .008"$  [1.57 ± 0.20] PC Board
- Insulator Material available in PBT, PPS or PA9T
- 3 Amp Current Rating per contact
- Insulator / Contact Specifications and Part Number Options See Pages 114-115
- Row Spacing Available in  $.140"$  or  $.200"$  (Use Modification Code 'E9' or 'X9' for  $.200"$ )
- P/N 04-0003-000 for In Between Contact Polarizing Key  
P/N 04-0002-000 for In Contact Polarizing Key  
See Page 158 (Sold Separately)
- Molded-in Key Available - Consult Factory

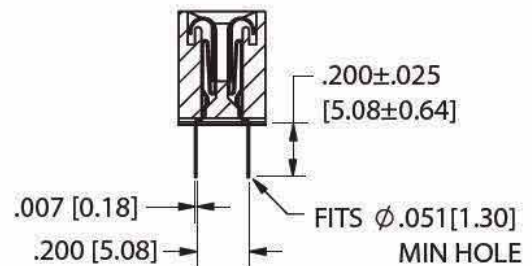


## TERMINATION TYPE



**DIP SOLDER (S)  
.140" ROW SPACING**

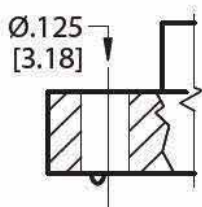
*Example P/N: MPSL-0156-10-DS-1K*



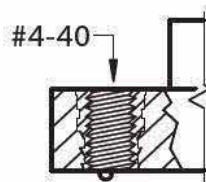
**DIP SOLDER (S)  
.200" ROW SPACING  
REQUIRES 'X9' MODIFICATION CODE**

*Example P/N: MPSL-0156-10-DS-1X9K*

## MOUNTING STYLE



(STYLE 1)



(STYLE 2)



(STYLE 3)



(STYLE 4)



**PART NUMBER OPTIONS**

**MPSL - 0 156 - 10 - D S - 1 K**

**PLATING - RoHS Compliant**

All Platings are Lead Free and have .000050" Nickel Underplate

**Contact Surface Termination**

\*MPSL = .000010" Gold .000100" Pure Tin, Matte

\*MPL = .000100" Overall Pure Tin, Matte

MP = .000010" Overall Gold

\*Requires 'K' Modification Code

**INSULATOR MATERIAL\*\***

0 = PBT

**CONTACT CENTERS**

156 = .156" [3.96mm]

**NUMBER OF POSITIONS**

Contacts Per Row (See Position Chart Below)

**MODIFICATION CODE\*\***

K = Required on MPSL or MPL Plating

Omit for MP Plating (Overall Gold)

E9, X9 = .200" Row Spacing

**MOUNTING STYLE** (See Opposite Page)

1 = .125" Clearance Hole

2 = #4-40 Threaded Insert

3 = Floating Bobbin

4 = No Mounting

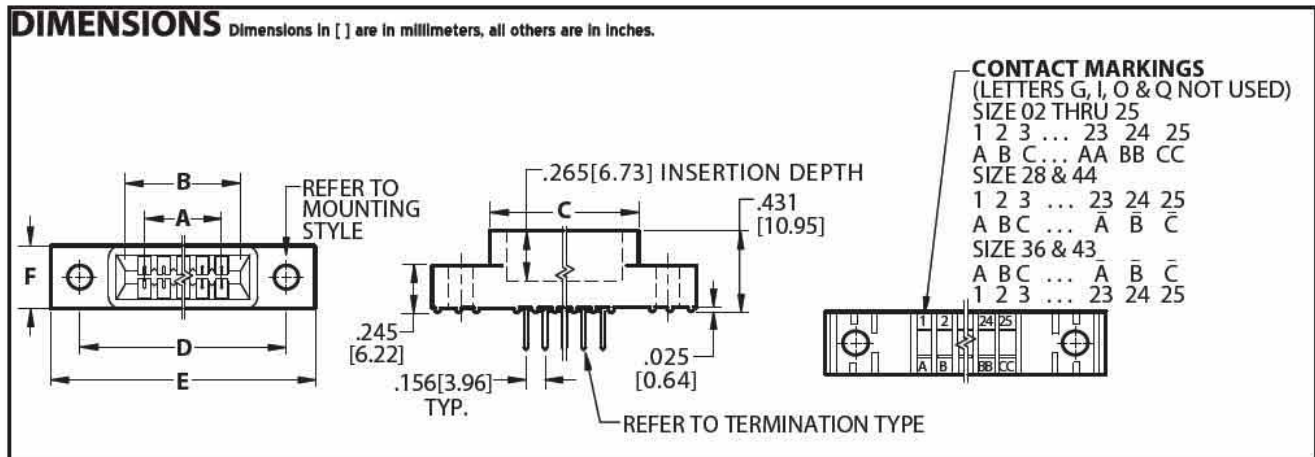
**TERMINATION TYPE** (See Opposite Page)

S = Dip Solder

**READOUT**

D = Dual

\*\* See Pages 114-115 for Specifications and other Variations



POSITIONS/ CONTACTS	INCHES					[MILLIMETERS]						
	A±.008	B±.008	C±.015	D±.010	E MAX	F±.005	A±0.20	B±0.20	C±0.38	D±0.25	E MAX	F±0.13
02/04	0.156	0.476	0.596	'N' MOUNTING		0.325	3.96	12.09	15.14	'N' MOUNTING		
03/06	0.312	0.632	0.752	'N' MOUNTING			7.92	16.05	19.10	'N' MOUNTING		
06/12	0.780	1.100	1.220	1.533	1.902		19.81	27.94	30.99	38.94	48.31	8.26
08/16	1.092	1.412	1.532	1.845	2.214		27.74	35.86	38.91	46.86	56.24	
10/20	1.404	1.724	1.844	2.157	2.526		35.66	43.79	46.84	54.79	64.16	
11/22	1.560	1.880	2.000	2.313	2.682		39.62	47.75	50.80	58.75	68.12	
12/24	1.716	2.036	2.156	2.469	2.838		43.59	51.71	54.76	62.71	72.09	
15/30	2.184	2.504	2.624	2.937	3.306		55.47	63.60	66.65	74.60	83.97	
18/36	2.652	2.972	3.092	3.405	3.774		67.36	75.49	78.54	86.49	95.86	
22/44	3.276	3.596	3.716	4.029	4.398		83.21	91.34	94.39	102.34	111.71	
24/48	3.588	3.908	4.028	4.341	4.710	91.14	99.26	102.31	110.26	119.63		
25/50	3.744	4.064	4.184	4.497	4.866	95.10	103.23	106.27	114.22	123.60		
28/56	4.212	4.532	4.652	4.965	5.334	0.438	106.98	115.11	118.16	126.11	135.48	11.13
36/72	5.460	5.780	5.900	6.213	6.582		138.68	146.81	149.86	157.81	167.18	
43/86	6.552	6.872	6.992	7.305	7.674	0.500	166.42	174.55	177.60	185.55	194.92	12.70
44/88	6.708	7.028	7.148	7.461	7.830		170.38	178.51	181.56	189.51	198.88	

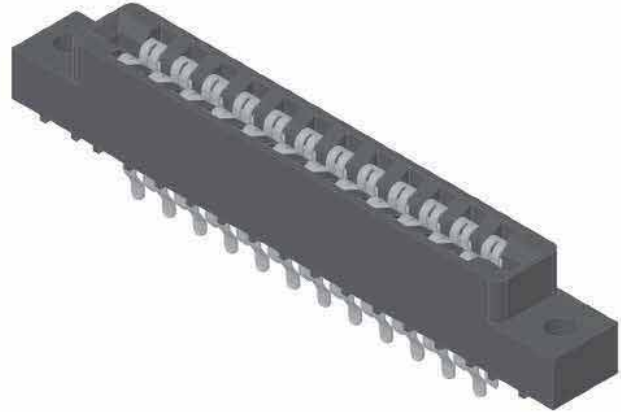
Micro Plastics Card Edge



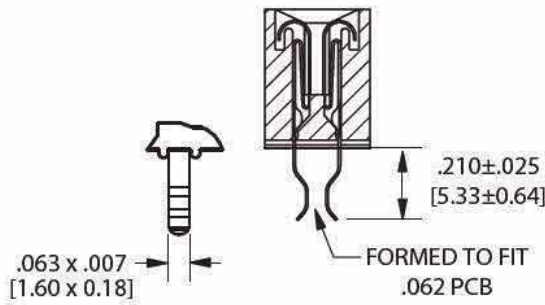
**.156" [3.96 mm] Contact Centers, .431" [10.95 mm] Insulator Height,  
Card Extender**

**SPECIFICATIONS**

- Accommodates .062" ± .008" [1.57 ± 0.20] PC Board
- Insulator Material available in PBT, PPS or PA9T
- 3 Amp Current Rating per contact
- Insulator / Contact Specifications and Part Number Options See Pages 114-115
- P/N 04-0003-000 for In Between Contact Polarizing Key  
P/N 04-0002-000 for In Contact Polarizing Key  
See Page 158 (Sold Separately)
- Molded-in Key Available - Consult Factory

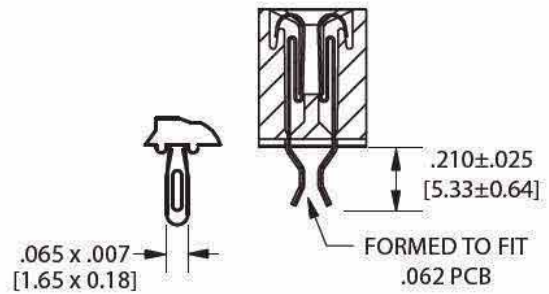


**TERMINATION TYPE**



**CARD EXTENDER (SE)**

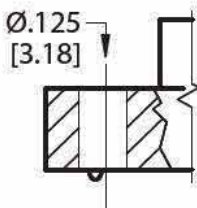
*Example P/N: M<sup>P</sup>SL-0156-10-DSE-1K*



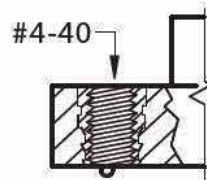
**ECONOMY EYELET  
CARD EXTENDER (PE)**

*Example P/N: EM<sup>P</sup>L-0156-10-DPE-1K*

**MOUNTING STYLE**



**(STYLE 1)**



**(STYLE 2)**



**(STYLE 3)**



**(STYLE 4)**



**PART NUMBER OPTIONS**

**MPSL - 0 156 - 10 - D SE - 1 K**

**PLATING - RoHS Compliant**

All Platings are Lead Free and have .000050" Nickel Underplate

**Contact Surface Termination**

- \*MPSL = .000010" Gold      .000100" Pure Tin Matte
- \*MPL = .000100" Overall Pure Tin, Matte
- MP = .000010" Overall Gold

**Platings that start with 'E' are for Economy Eyelet Only**

- \*EMPSL = .000010" Gold      .000100" Pure Tin Matte
- \*EMPL = .000100" Overall Pure Tin, Matte
- EMP = .000010" Overall Gold

**\* Requires 'K' Modification Code**

Other Plating and thicknesses available upon request

**PLATING MODIFICATION CODE\*\***

K = Required on MPSL or MPL Plating  
Omit for MP Plating (Overall Gold)

**MOUNTING STYLE (See Opposite Page)**

- 1 = .125" Clearance Hole
- 2 = #4-40 Threaded Insert
- 3 = Floating Bobbin
- 4 = No Mounting

**TERMINATION TYPE (See Opposite Page)**

- SE = Card Extender  
**Requires Part Number to start with 'M'**
- PE = Economy Eyelet Card Extender  
**Requires Part Number to start with 'E'**

**INSULATOR MATERIAL\*\***

- 0 = PBT

**CONTACT CENTERS**

- 156 = .156" [3.96mm]

**NUMBER OF POSITIONS**

Contacts Per Row (See Position Chart Below)

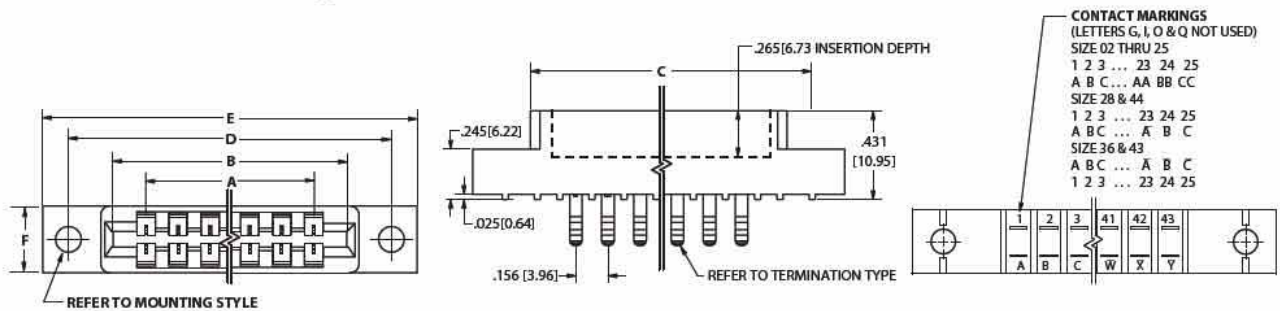
**READOUT**

- D = Dual

**\*\* See Pages 114-115 for Specifications and other Variations**

**DIMENSIONS**

Dimensions in [ ] are in millimeters, all others are in inches.



POSITIONS/ CONTACTS	INCHES						[MILLIMETERS]					
	A±.008	B±.008	C±.015	D±.010	E MAX	F±.005	A±0.20	B±0.20	C±0.38	D±0.25	E MAX	F±0.13
02/04	0.156	0.476	0.596	'N' MOUNTING			3.96	12.09	15.14	'N' MOUNTING		
03/06	0.312	0.632	0.752	'N' MOUNTING			7.92	16.05	19.10	'N' MOUNTING		
06/12	0.780	1.100	1.220	1.533	1.902		19.81	27.94	30.99	38.94	48.31	
08/16	1.092	1.412	1.532	1.845	2.214		27.74	35.86	38.91	46.86	56.24	
10/20	1.404	1.724	1.844	2.157	2.526		35.66	43.79	46.84	54.79	64.16	
11/22	1.560	1.880	2.000	2.313	2.682	0.325	39.62	47.75	50.80	58.75	68.12	8.26
12/24	1.716	2.036	2.156	2.469	2.838		43.59	51.71	54.76	62.71	72.09	
15/30	2.184	2.504	2.624	2.937	3.306		55.47	63.60	66.65	74.60	83.97	
18/36	2.652	2.972	3.092	3.405	3.774		67.36	75.49	78.54	86.49	95.86	
22/44	3.276	3.596	3.716	4.029	4.398		83.21	91.34	94.39	102.34	111.71	
24/48	3.588	3.908	4.028	4.341	4.710		91.14	99.26	102.31	110.26	119.63	
25/50	3.744	4.064	4.184	4.497	4.866	95.10	103.23	106.27	114.22	123.60		
28/56	4.212	4.532	4.652	4.965	5.334	0.438	106.98	115.11	118.16	126.11	135.48	11.13
36/72	5.460	5.780	5.900	6.213	6.582		138.68	146.81	149.86	157.81	167.18	
43/86	6.552	6.872	6.992	7.305	7.674		166.42	174.55	177.60	185.55	194.92	
44/88	6.708	7.028	7.148	7.461	7.830	0.500	170.38	178.51	181.56	189.51	198.88	12.70

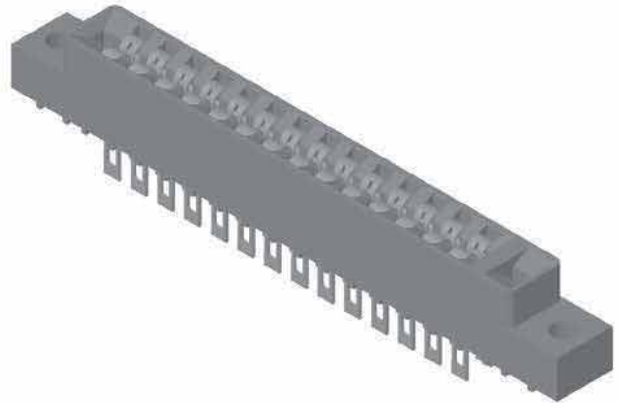
Micro Plastics Card Edge



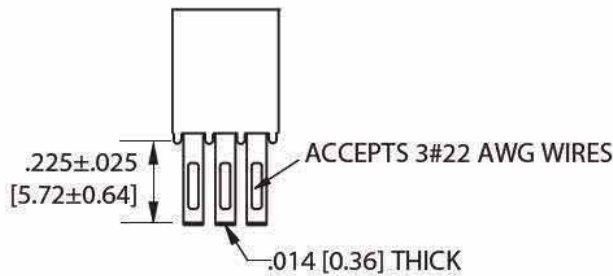
**.156" [3.96 mm] Contact Centers, .431" [10.95 mm] Insulator Height, Eyelet**

**SPECIFICATIONS**

- Accommodates .062" ± .008" [1.57 ± 0.20] PC Board
- Insulator Material available in PBT, PPS or PA9T
- 3 Amp Current Rating per contact
- Insulator / Contact Specifications and Part Number Options See Pages 114-115
- P/N 04-0003-000 for In Between Contact Polarizing Key  
P/N 04-0002-000 for In Contact Polarizing Key  
See Page 158 (Sold Separately)
- Molded-in Key Available - Consult Factory

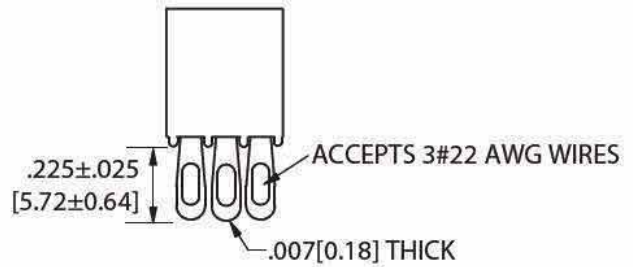


**TERMINATION TYPE**



**EYELET (P)**

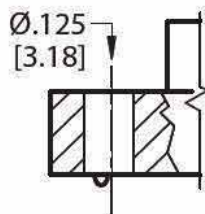
*Example P/N: MP-0156-10-DP-1*



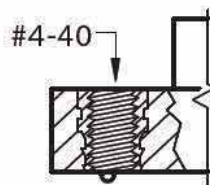
**ECONOMY EYELET (P)**

*Example P/N: EMPSL-0156-10-DP-1K*

**MOUNTING STYLE**



**(STYLE 1)**



**(STYLE 2)**



**(STYLE 3)**



**(STYLE 4)**



**PART NUMBER OPTIONS**

**MPL - 0 156 - 10 - D P - 1 K**

**PLATING - RoHS Compliant**

All Platings are Lead Free and have .000050" Nickel Underplate

**Contact Surface Termination**

- \*MPL = .000100" Overall Pure Tin, Matte
- MP = .000010" Overall Gold

**Platings that start with 'E' are for Economy Eyelet Only**

- \*EMPSL = .000010" Gold .000100" Pure Tin Matte
- \*EMPL = .000100" Overall Pure Tin, Matte
- EMP = .000010" Overall Gold

\*Requires 'K' Modification Code  
Other Plating and thicknesses available upon request

**INSULATOR MATERIAL\*\***

- 0 = PBT

**CONTACT CENTERS**

- 156 = .156" [3.96mm]

**NUMBER OF POSITIONS**

Contacts Per Row (See Position Chart Below)

**PLATING MODIFICATION CODE\*\***

K = Required on Tin Plating Terminations  
Omit for MP and EMP Plating (Overall Gold)

**MOUNTING STYLE** (See Opposite Page)

- 1 = .125" Clearance Hole
- 2 = #4-40 Threaded Insert
- 3 = Floating Bobbin
- 4 = No Mounting

**TERMINATION TYPE** (See Opposite Page)

P = Pierced Eyelet, .014" Thick

**MPL and MP Plating Only**

P = Economy Eyelet, .007" Thick

Requires Part Number to start with 'E'

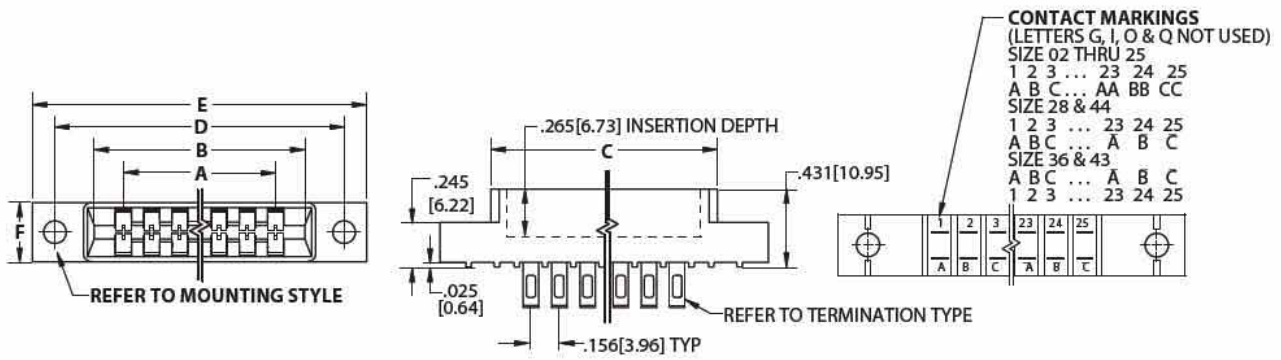
**READOUT**

D = Dual

\*\* See Pages 114-115 for Specifications and other Variations

**DIMENSIONS**

Dimensions in [ ] are in millimeters, all others are in inches.



POSITIONS/ CONTACTS	INCHES						[MILLIMETERS]					
	A±.008	B±.008	C±.015	D±.010	E MAX	F±.005	A±0.20	B±0.20	C±0.38	D±0.25	E MAX	F±0.13
02/04	0.156	0.476	0.596	'N' MOUNTING			3.96	12.09	15.14	'N' MOUNTING		
03/06	0.312	0.632	0.752	'N' MOUNTING			7.92	16.05	19.10	'N' MOUNTING		
06/12	0.780	1.100	1.220	1.533	1.902		19.81	27.94	30.99	38.94	48.31	
08/16	1.092	1.412	1.532	1.845	2.214		27.74	35.86	38.91	46.86	56.24	
10/20	1.404	1.724	1.844	2.157	2.526		35.66	43.79	46.84	54.79	64.16	
11/22	1.560	1.880	2.000	2.313	2.682	0.325	39.62	47.75	50.80	58.75	68.12	8.26
12/24	1.716	2.036	2.156	2.469	2.838		43.59	51.71	54.76	62.71	72.09	
15/30	2.184	2.504	2.624	2.937	3.306		55.47	63.60	66.65	74.60	83.97	
18/36	2.652	2.972	3.092	3.405	3.774		67.36	75.49	78.54	86.49	95.86	
22/44	3.276	3.596	3.716	4.029	4.398		83.21	91.34	94.39	102.34	111.71	
24/48	3.588	3.908	4.028	4.341	4.710		91.14	99.26	102.31	110.26	119.63	
25/50	3.744	4.064	4.184	4.497	4.866		95.10	103.23	106.27	114.22	123.60	
28/56	4.212	4.532	4.652	4.965	5.334	0.438	106.98	115.11	118.16	126.11	135.48	11.13
36/72	5.460	5.780	5.900	6.213	6.582		138.68	146.81	149.86	157.81	167.18	
43/86	6.552	6.872	6.992	7.305	7.674	0.500	166.42	174.55	177.60	185.55	194.92	12.70
44/88	6.708	7.028	7.148	7.461	7.830		170.38	178.51	181.56	189.51	198.88	

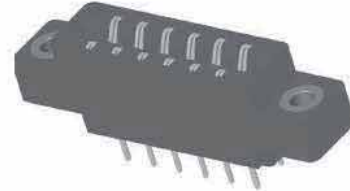
Micro Plastics Card Edge



**.156" [3.96 mm] Contact Centers, .610" [15.49 mm] Insulator Height,  
Wire Wrap & Dip Solder**

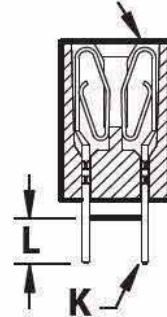
**SPECIFICATIONS**

- Accommodates .062" ± .008" [1.57 ± 0.20] PC Board
- Insulator Material available in PBT, PPS or PA9T
- 3 Amp Current Rating per contact
- Insulator / Contact Specifications and Part Number Options See Pages 114-115
- P/N 04-0004-000 for In Between Contact Polarizing Key See Page 158 (Sold Separately)
- Molded-in Key Available - Consult Factory



**TERMINATION TYPE**

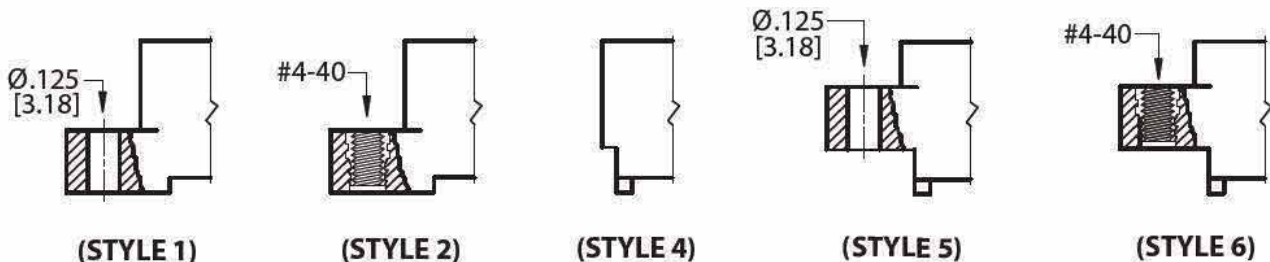
**LOOP BELLOWS**



**LOOP BELLOWS**

TERMINATION CODE	MODIFICATION CODE	TYPE	POST CROSS SECTION K	POST LENGTH L	FITS MIN. HOLE SIZE	EXAMPLE PART NUMBER
R	H	Dip Solder	.025 [0.64] Round	.190 [4.83]	.033 [0.84]	<i>MPSL-0156-10-DR-1HK</i>
R	H(.165)	Dip Solder	.025 [0.64] Round	.165 [4.19]	.033 [0.84]	<i>MPSL-0156-10-DR-1HK(.165)</i>
W	H	Dip Solder	.025 [0.64] Square	.190 [4.83]	.040 [1.02]	<i>MPSL-0156-10-DW-1HK</i>
W	OMIT	Wire Wrap	.025 [0.64] Square	.560 [14.20]	.040 [1.02]	<i>MPSL-0156-10-DW-1K</i>

**MOUNTING STYLE**



Micro Plastics Card Edge



**PART NUMBER OPTIONS**

**MPSL - 0 156 - 10 - D W - 1 H K**

**PLATING - RoHS Compliant**  
All Platings are Lead Free and have .000050" Nickel Underplate

<b>Contact Surface</b>	<b>Termination</b>
*MPSL = .000010" Gold	.000100" Pure Tin, Matte
*MPL = .000100" Overall Pure Tin, Matte	
MP = .000010" Overall Gold	

\*Requires 'K' Modification Code

**INSULATOR MATERIAL\*\***  
0 = PBT

**CONTACT CENTERS**  
156 = .156" [3.96mm]

**NUMBER OF POSITIONS**  
Contacts Per Row (See Position Chart Below)

**READOUT**  
D = Dual

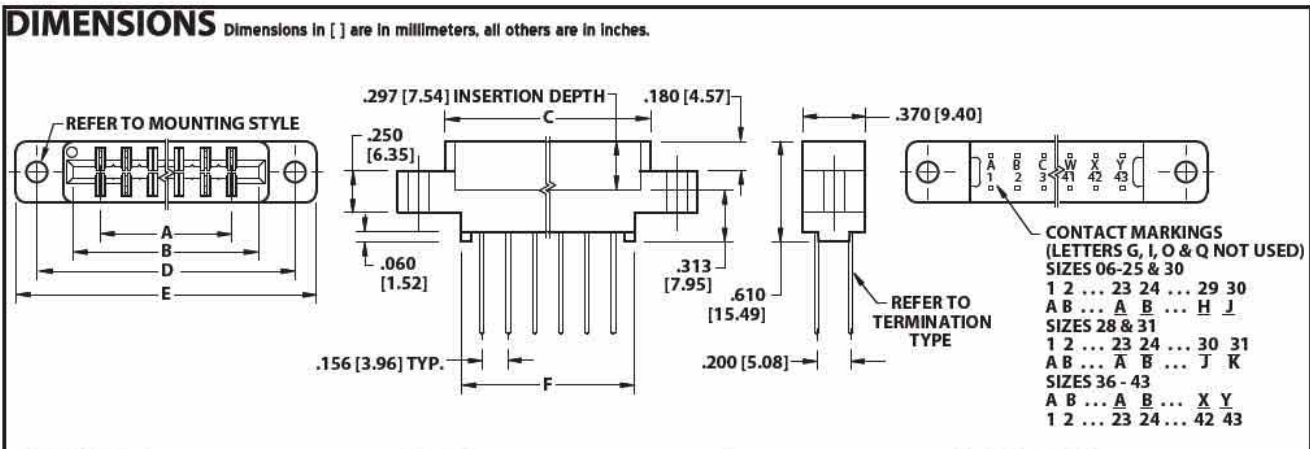
**PLATING MODIFICATION CODE\*\***  
K = Required on MPSL or MPL Plating  
Omit for MP Plating (Overall Gold)

**MODIFICATION CODE\*\***  
(See Opposite Page)  
H = Dip Solder .190[4.83] Tail Length  
(.025 Round or .025 Square)  
H(.165) = Dip Solder .165[4.19] Tail Length  
(.025 Round Only)

**MOUNTING STYLE** (See Opposite Page)  
1 = .125" Clearance Hole  
2 = #4-40 Threaded Insert  
4 = No Mounting  
5 = Raised, .125" Clearance Hole  
6 = Raised, #4-40 Threaded Insert

**TERMINATION TYPE** (See Opposite Page)  
**LOOP BELLOWS**  
R = .025[.64mm] Round  
W = .025[.64mm] Square

\*\* See Pages 114-115 for Specifications and other Variations



POSITIONS/ CONTACTS	INCHES						[MILLIMETERS]					
	A±.008	B±.008	C±.015	D±.010	E±.020	F±.015	A±0.20	B±0.20	C±0.38	D±0.25	E±0.51	F±0.38
06/12	0.780	1.102	1.221	1.534	1.784	1.030	19.81	27.99	31.01	38.96	45.31	26.16
08/16	1.092	1.414	1.533	1.846	2.096	1.342	27.74	35.92	38.94	46.89	53.24	34.09
10/20	1.404	1.726	1.845	2.158	2.408	1.654	35.66	43.84	46.86	54.81	61.16	42.01
12/24	1.716	2.038	2.157	2.470	2.720	1.966	43.59	51.77	54.79	62.74	69.09	49.94
15/30	2.184	2.506	2.625	2.938	3.188	2.434	55.47	63.65	66.68	74.63	80.98	61.82
18/36	2.652	2.974	3.093	3.406	3.656	2.902	67.36	75.54	78.56	86.51	92.86	73.71
20/40*	2.964	3.286	3.405	3.718	3.968	3.214	75.29	83.46	86.49	94.44	100.79	81.64
22/44	3.276	3.598	3.717	4.030	4.280	3.526	83.21	91.39	94.41	102.36	108.71	89.56
24/48	3.588	3.910	4.029	4.342	4.592	3.838	91.14	99.31	102.34	110.29	116.64	97.49
25/50	3.744	4.066	4.185	4.498	4.748	3.994	95.10	103.28	106.30	114.25	120.60	101.45
28/56	4.212	4.534	4.653	4.966	5.216	4.462	106.98	115.16	118.19	126.14	132.49	113.33
30/60	4.524	4.846	4.965	5.278	5.528	4.774	114.91	123.09	126.11	134.06	140.41	121.26
31/62	4.680	5.002	5.121	5.434	5.684	4.930	118.87	127.05	130.07	138.02	144.37	125.22
36/72	5.460	5.782	5.901	6.214	6.464	5.710	138.68	146.86	149.89	157.84	164.19	145.03
40/80	6.084	6.406	6.525	6.838	7.088	6.334	154.53	162.71	165.74	173.69	180.04	160.88
43/86	6.552	6.874	6.993	7.306	7.556	6.802	166.42	174.60	177.62	185.57	191.92	172.77

\* Consult Factory for availability.

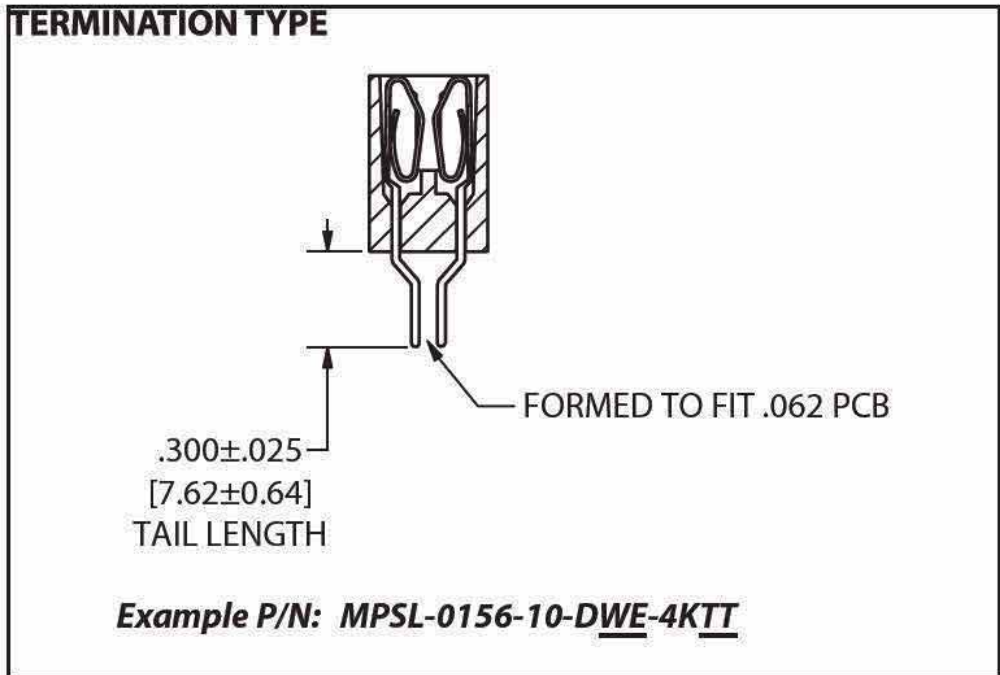


# Micro Plastics Card Edge

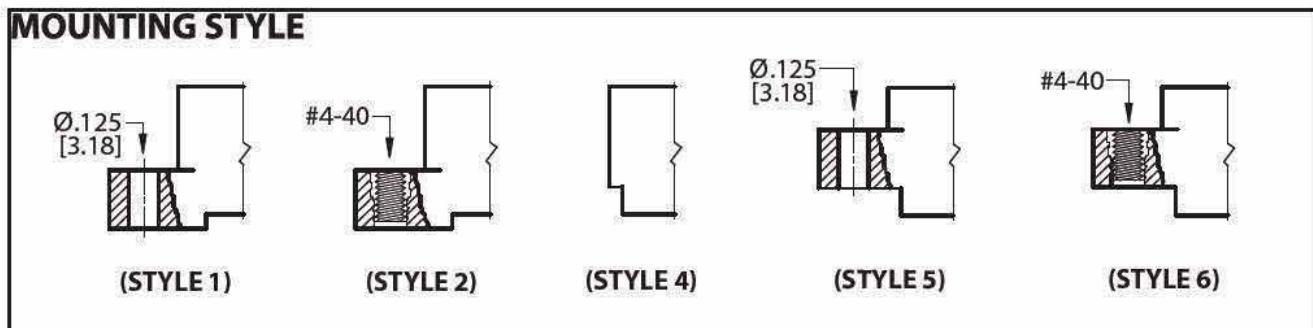
**.156" [3.96 mm] Contact Centers, .550" [13.97 mm] Insulator Height,  
.025" [.64 mm] Square Card Extender**

## SPECIFICATIONS

- Accommodates .062" ± .008" [1.57 ± 0.20] PC Board
- Insulator Material available in PBT, PPS or PA9T
- 3 Amp Current Rating per contact
- Insulator / Contact Specifications and Part Number Options See Pages 114-115
- P/N 04-0004-000 for In Between Contact Polarizing Key See Page 158 (Sold Separately)
- Molded-in Key Available - Consult Factory



Micro Plastics Card Edge



**.156" [3.96 mm] Contact Centers, .550" [13.97 mm] Insulator Height, .025" [.64 mm] Square Card Extender**



**PART NUMBER OPTIONS**

**MPSL - 0 156 - 10 - D WE - 4 K TT**

**PLATING - RoHS Compliant**  
All Platings are Lead Free and have .000050" Nickel Underplate

<b>Contact Surface</b>	<b>Termination</b>
*MPSL = .000010" Gold	.000100" Pure Tin, Matte
*MPL = .000100" Overall Pure Tin, Matte	
MP = .000010" Overall Gold	

**\*Requires 'K' Modification Code**

**INSULATOR MATERIAL\*\***  
0 = PBT

**CONTACT CENTERS**  
156 = .156" [3.96mm]

**NUMBER OF POSITIONS**  
Contacts Per Row (See Position Chart Below)

**MODIFICATION CODE\*\***  
TT = No Standoffs

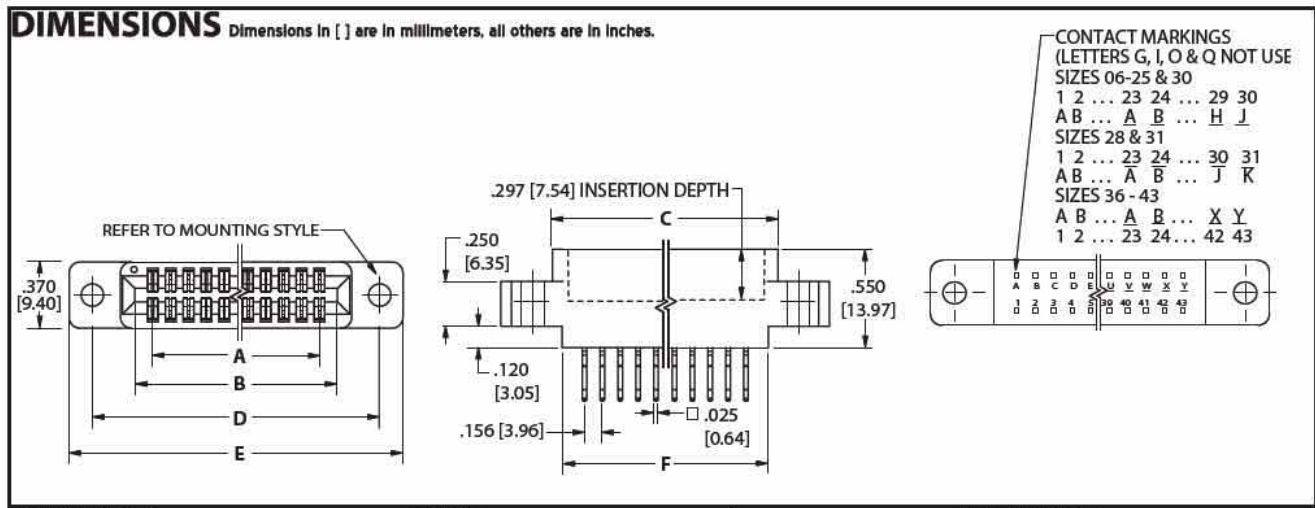
**PLATING MODIFICATION CODE\*\***  
K = Required on MPSL or MPL Plating  
Omit for MP Plating (Overall Gold)

**MOUNTING STYLE** (See Opposite Page)  
1 = .125" Clearance Hole  
2 = #4-40 Threaded Insert  
4 = No Mounting  
5 = Raised, .125" Clearance Hole  
6 = Raised, #4-40 Threaded Insert

**TERMINATION TYPE** (See Opposite Page)  
WE = Card Extender

**READOUT**  
D = Dual

**\*\* See Pages 114-115 for Specifications and other Variations**



POSITIONS/ CONTACTS	INCHES						[MILLIMETERS]					
	A±.008	B±.008	C±.015	D±.010	E±.020	F±.015	A±0.20	B±0.20	C±0.38	D±0.25	E±0.51	F±0.38
06/12	0.780	1.102	1.221	1.534	1.784	1.030	19.81	27.99	31.01	38.96	45.31	26.16
08/16	1.092	1.414	1.533	1.846	2.096	1.342	27.74	35.92	38.94	46.89	53.24	34.09
10/20	1.404	1.726	1.845	2.158	2.408	1.654	35.66	43.84	46.86	54.81	61.16	42.01
12/24	1.716	2.038	2.157	2.470	2.720	1.966	43.59	51.77	54.79	62.74	69.09	49.94
15/30	2.184	2.506	2.625	2.938	3.188	2.434	55.47	63.65	66.68	74.63	80.98	61.82
18/36	2.652	2.974	3.093	3.406	3.656	2.902	67.36	75.54	78.56	86.51	92.86	73.71
20/40*	2.964	3.286	3.405	3.718	3.968	3.214	75.29	83.46	86.49	94.44	100.79	81.64
22/44	3.276	3.598	3.717	4.030	4.280	3.526	83.21	91.39	94.41	102.36	108.71	89.56
24/48	3.588	3.910	4.029	4.342	4.592	3.838	91.14	99.31	102.34	110.29	116.64	97.49
25/50	3.744	4.066	4.185	4.498	4.748	3.994	95.10	103.28	106.30	114.25	120.60	101.45
28/56	4.212	4.534	4.653	4.966	5.216	4.462	106.98	115.16	118.19	126.14	132.49	113.33
30/60	4.524	4.846	4.965	5.278	5.528	4.774	114.91	123.09	126.11	134.06	140.41	121.26
31/62	4.680	5.002	5.121	5.434	5.684	4.930	118.87	127.05	130.07	138.02	144.37	125.22
36/72	5.460	5.782	5.901	6.214	6.464	5.710	138.68	146.86	149.89	157.84	164.19	145.03
40/80	6.084	6.406	6.525	6.838	7.088	6.334	154.53	162.71	165.74	173.69	180.04	160.88
43/86	6.552	6.874	6.993	7.306	7.556	6.802	166.42	174.60	177.62	185.57	191.92	172.77

\* Consult Factory for availability.

Micro Plastics Card Edge

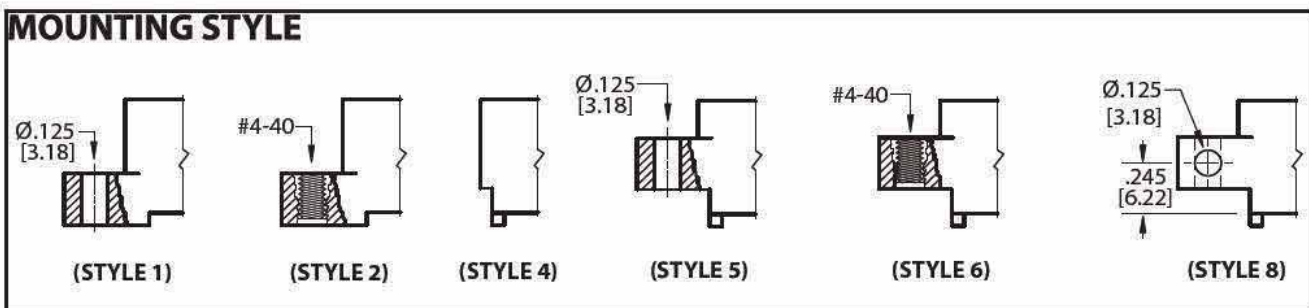
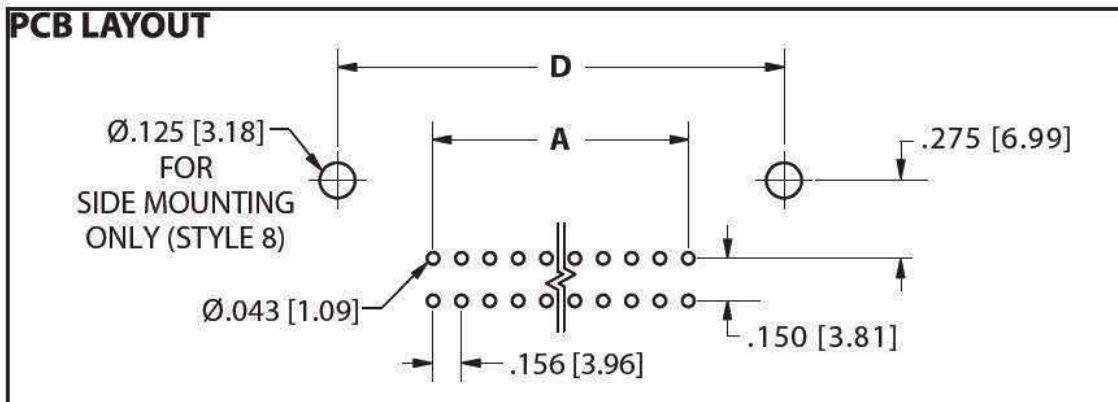
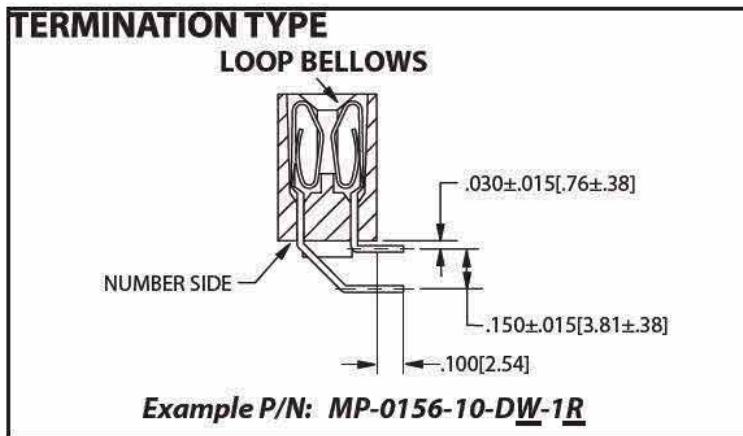
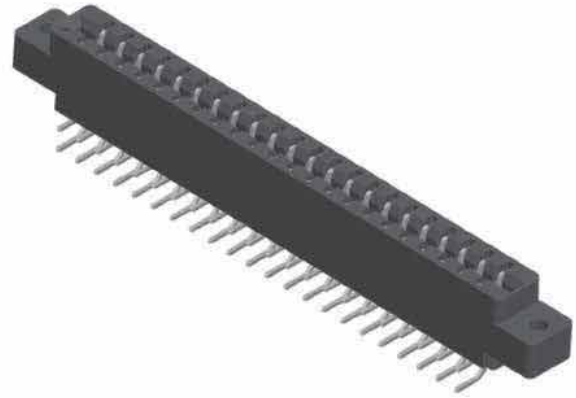


# Micro Plastics Card Edge

**.156" [3.96 mm] Contact Centers, .610" [15.49 mm] Insulator Height, Right Angle**

## SPECIFICATIONS

- Accommodates  $.062" \pm .008" [1.57 \pm 0.20]$  PC Board
- Insulator Material available in PBT, PPS or PA9T
- 3 Amp Current Rating per contact
- Insulator / Contact Specifications and Part Number Options See Pages 114-115
- P/N 04-0004-000 for In Between Contact Polarizing Key See Page 158 (Sold Separately)
- Molded-in Key Available - Consult Factory





**PART NUMBER OPTIONS**

**MPSL - 0 156 - 10 - D W - 1 K R**

**PLATING - RoHS Compliant**

All Platings are Lead Free and have .000050" Nickel Underplate

**Contact Surface Termination**

\*MPSL = .000010" Gold .000100" Pure Tin, Matte

\*MPL = .000100" Overall Pure Tin, Matte

MP = .000010" Overall Gold

\*Requires 'K' Modification Code

**INSULATOR MATERIAL\*\***

0 = PBT

**CONTACT CENTERS**

156 = .156" [3.96mm]

**NUMBER OF POSITIONS**

Contacts Per Row (See Position Chart Below)

**READOUT**

D = Dual

**MODIFICATION CODE\*\***

R = Right Angle

**PLATING MODIFICATION CODE\*\***

K = Required on MPSL or MPL Plating  
Omit for MP Plating (Overall Gold)

**MOUNTING STYLE (See Opposite Page)**

- 1 = .125" Clearance Hole
- 2 = #4-40 Threaded Insert
- 4 = No Mounting
- 5 = Raised, .125" Clearance Hole
- 6 = Raised, #4-40 Threaded Insert
- 8 = Raised, Side Mounting, .125" Clearance Hole

**TERMINATION TYPE**

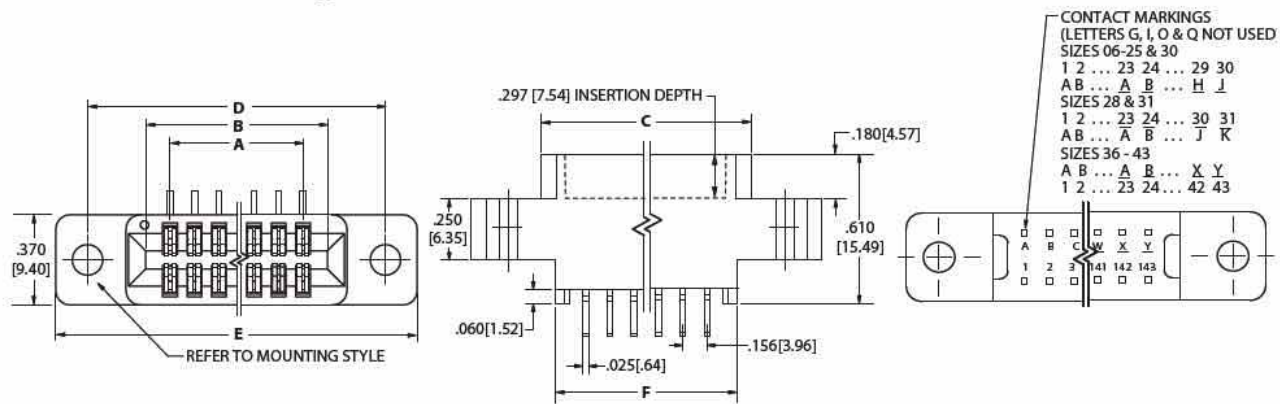
**LOOP BELLOWS**

W = .025 [.64] Square

**\*\* See Pages 114-115 for Specifications and other Variations**

**DIMENSIONS**

Dimensions in [ ] are in millimeters, all others are in inches.



POSITIONS/ CONTACTS	INCHES						[MILLIMETERS]						
	A±.008	B±.008	C±.015	D±.010	E±.020	F±.015	A±0.20	B±0.20	C±0.38	D±0.25	E±0.51	F±0.38	
06/12	0.780	1.102	1.221	1.534	1.784	1.030	19.81	27.99	31.01	38.96	45.31	26.16	
08/16	1.092	1.414	1.533	1.846	2.096	1.342	27.74	35.92	38.94	46.89	53.24	34.09	
10/20	1.404	1.726	1.845	2.158	2.408	1.654	35.66	43.84	46.86	54.81	61.16	42.01	
12/24	1.716	2.038	2.157	2.470	2.720	1.966	43.59	51.77	54.79	62.74	69.09	49.94	
15/30	2.184	2.506	2.625	2.938	3.188	2.434	55.47	63.65	66.68	74.63	80.98	61.82	
18/36	2.652	2.974	3.093	3.406	3.656	2.902	67.36	75.54	78.56	86.51	92.86	73.71	
20/40*	2.964	3.286	3.405	3.718	3.968	3.214	75.29	83.46	86.49	94.44	100.79	81.64	
22/44	3.276	3.598	3.717	4.030	4.280	3.526	83.21	91.39	94.41	102.36	108.71	89.56	
24/48	3.588	3.910	4.029	4.342	4.592	3.838	91.14	99.31	102.34	110.29	116.64	97.49	
25/50	3.744	4.066	4.185	4.498	4.748	3.994	95.10	103.28	106.30	114.25	120.60	101.45	
28/56	4.212	4.534	4.653	4.966	5.216	4.462	106.98	115.16	118.19	126.14	132.49	113.33	
30/60	4.524	4.846	4.965	5.278	5.528	4.774	114.91	123.09	126.11	134.06	140.41	121.26	
31/62	4.680	5.002	5.121	5.434	5.684	4.930	118.87	127.05	130.07	138.02	144.37	125.22	
36/72	5.460	5.782	5.901	6.214	6.464	5.710	138.68	146.86	149.89	157.84	164.19	145.03	
40/80	6.084	6.406	6.525	6.838	7.088	6.334	154.53	162.71	165.74	173.69	180.04	160.88	
43/86	6.552	6.874	6.993	7.306	7.556	6.802	166.42	174.60	177.62	185.57	191.92	172.77	

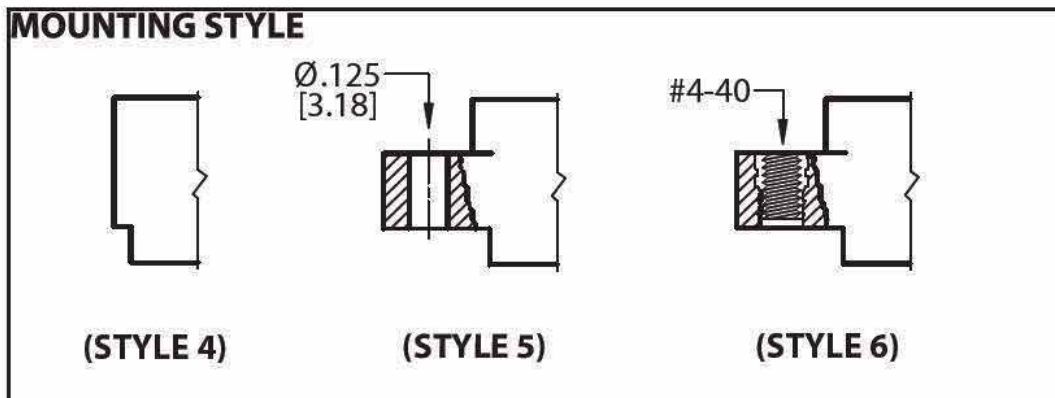
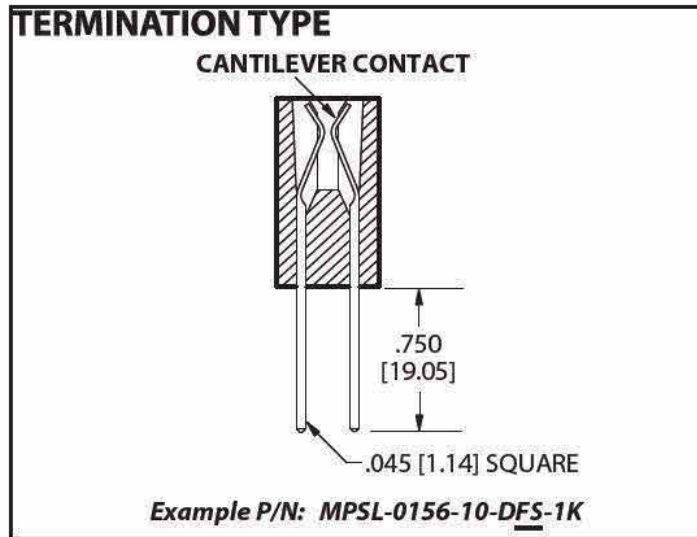
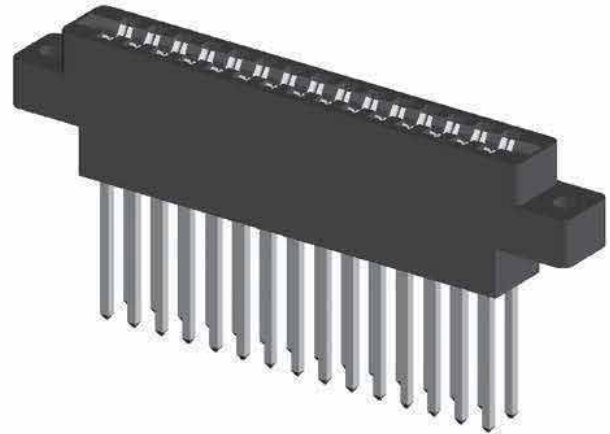
\* Consult Factory for availability.



**.156" [3.96 mm] Contact Centers, .720" [18.29 mm] Insulator Height,  
.045" [1.14 mm] Square Wire Wrap**

**SPECIFICATIONS**

- Accommodates .062" ± .008" [1.57 ± 0.20] PC Board
- Insulator Material available in PBT
- 5 Amp Current Rating per contact
- Insulator / Contact Specifications and Part Number Options See Pages 114-115
- Molded-in Key Available - Consult Factory





**.156" [3.96 mm] Contact Centers, .720" [18.29 mm] Insulator Height, .045" [1.14 mm] Square Wire Wrap**

**PART NUMBER OPTIONS**

**MPSL - 0 156 - 10 - D FS - 4 K**

**PLATING - RoHS Compliant**  
All Platings are Lead Free and have .000050" Nickel Underplate

<b>Contact Surface</b>	<b>Termination</b>
*MPSL = .000010" Gold	.000100" Pure Tin, Matte
*MPL = .000100" Overall Pure Tin, Matte	
MP = .000010" Overall Gold	

\*Requires 'K' Modification Code

**INSULATOR MATERIAL\*\***  
0 = PBT

**CONTACT CENTERS**  
156 = .156" [3.96mm]

**NUMBER OF POSITIONS**  
Contacts Per Row (See Position Chart Below)

**MODIFICATION CODE\*\***

**PLATING MODIFICATION CODE\*\***  
K = Required on MPSL or MPL Plating\*  
Omit for MP Plating (Overall Gold)

**MOUNTING STYLE** (See Opposite Page)  
4 = No Mounting  
5 = Raised, .125" Clearance Hole  
6 = Raised, #4-40 Threaded Insert

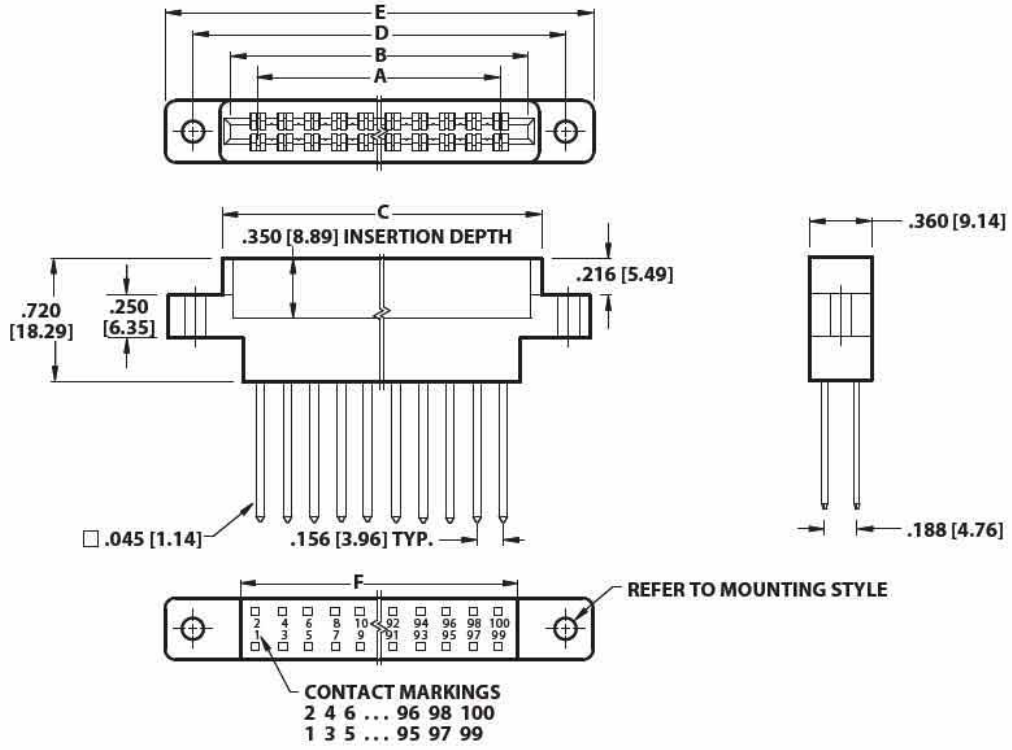
**TERMINATION TYPE** (See Opposite Page)  
FS = .045 Square Contacts

**READOUT**  
D = Dual

\*\* See Pages 114-115 for Specifications and other Variations

**DIMENSIONS**

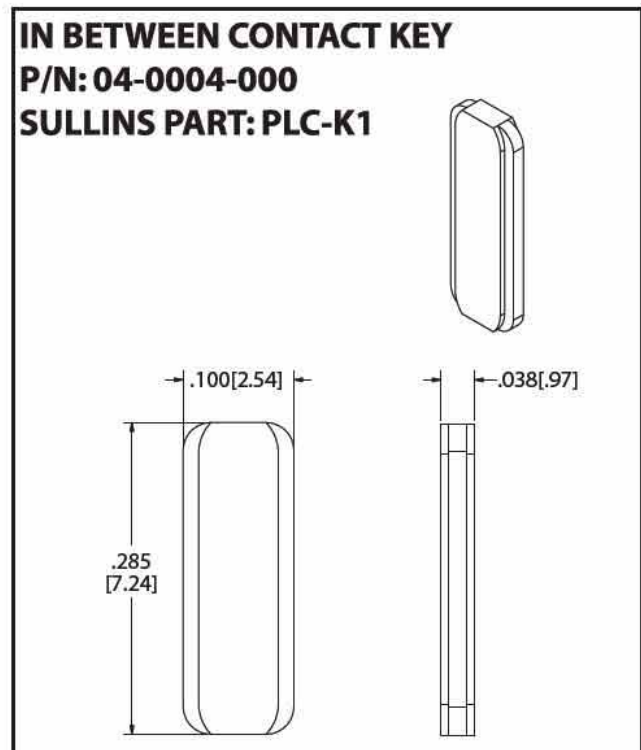
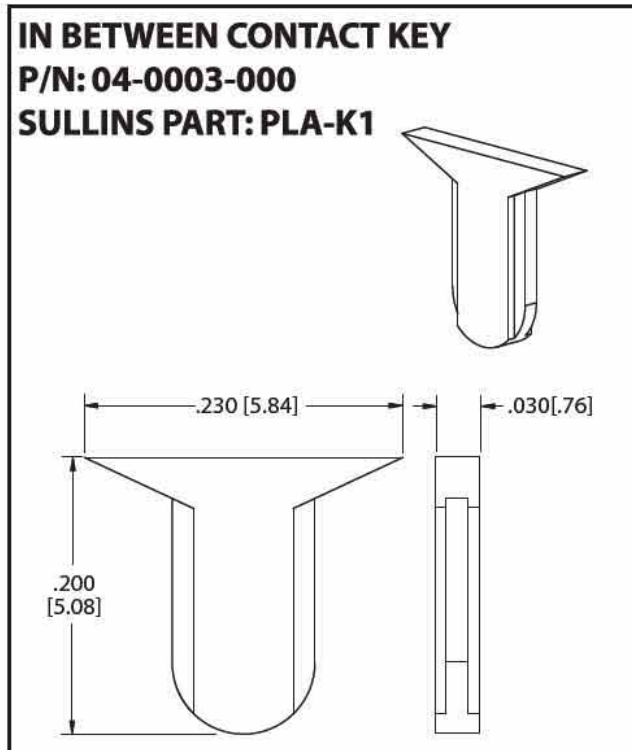
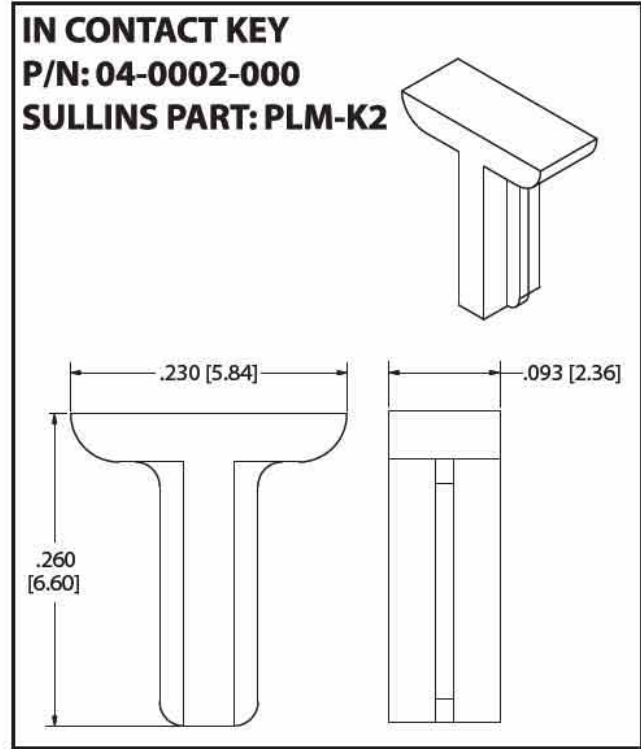
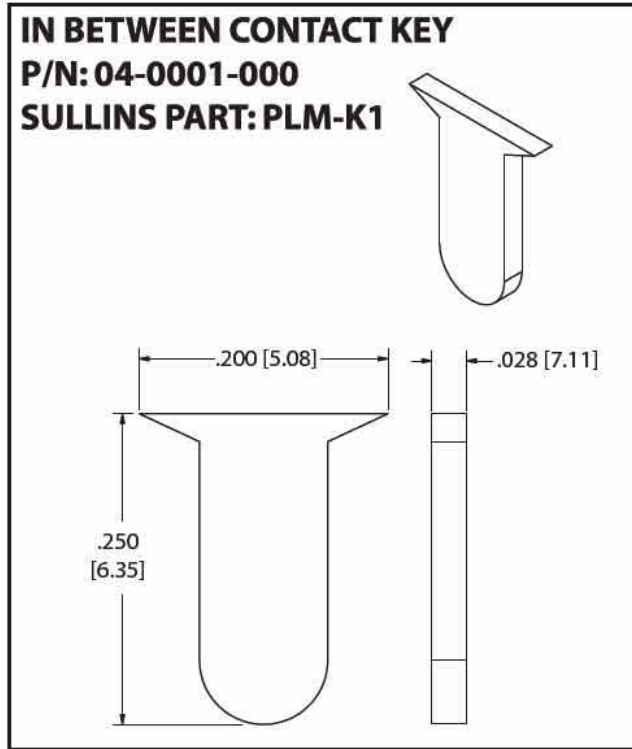
Dimensions in [ ] are in millimeters, all others are in inches.



POSITIONS/ CONTACTS	INCHES						[MILLIMETERS]					
	A±.008	B±.008	C±.015	D±.010	E±.020	F±.015	A±0.20	B±0.20	C±0.38	D±0.25	E±0.51	F±0.38
10/20	1.404	1.724	1.848	2.158	2.408	1.604	35.66	43.79	46.94	54.81	61.16	40.74
12/24	1.716	2.036	2.160	2.470	2.720	1.916	43.59	51.71	54.86	62.74	69.09	48.67
15/30	2.184	2.504	2.628	2.938	3.188	2.384	55.47	63.60	66.75	74.63	80.98	60.55
18/36	2.652	2.972	3.096	3.406	3.656	2.852	67.36	75.49	78.64	86.51	92.86	72.44
22/44	3.276	3.596	3.720	4.030	4.280	3.476	83.21	91.34	94.49	102.36	108.71	88.29
25/50	3.744	4.064	4.188	4.498	4.748	3.944	95.10	103.23	106.38	114.25	120.60	100.18
28/56	4.212	4.532	4.656	4.966	5.216	4.412	106.98	115.11	118.26	126.14	132.49	112.06
30/60	4.524	4.844	4.968	5.278	5.528	4.724	114.91	123.04	126.19	134.06	140.41	119.99
36/72	5.460	5.780	5.904	6.214	6.464	5.660	138.68	146.81	149.96	157.84	164.19	143.76
43/86	6.552	6.872	6.996	7.306	7.556	6.752	166.42	174.55	177.70	185.57	191.92	171.50



**ALL KEYS ORDERED SEPARATELY**





Micro Plastics Part Number	Page
04-0001-000	158
04-0002-000	158
04-0003-000	158
04-0004-000	158
EMP- 156- -DP- _ _	148-149
EMP- 156- -DPE- _ _	146-147
EMPL- 156- -DP- _ K _	148-149
EMPL- 156- -DPE- _ K _	146-147
EMPSL- 156- -DP- _ K _	148-149
EMPSL- 156- -DPE- _ K _	146-147
MP- 100- -DP- _ _	120-121
MP- 100- -DR- _ _	122-123
MP- 100- -DS- _ _	116-117
MP- 100- -DS- _ X9 _	116-117
MP- 100- -DSE- _ _	118-119
MP- 100- -DW- _ _	122-123
MP- 100- -DW- _ R _	126-127
MP- 100- -DWE- _ _	124-125
MP- 100-18/31-DR- _ _	128-129
MP- 100-18/31-DW- _ _	128.129
MP- 125- -DP- _ _	134-135
MP- 125- -DR- _ _	136-137
MP- 125- -DS- _ _	130-131
MP- 125- -DS- _ X9 _	130-131
MP- 125- -DSE- _ _	132-133
MP- 125- -DW- _ _	136-137
MP- 125- -DW- _ R _	140-141
MP- 125- -DWE- _ _	138-139
MP- 150- -DR- _ _	142-143
MP- 150- -DW- _ _	142-143
MP- 156- -DFS- _ _	156-157
MP- 156- -DP- _ _	148-149
MP- 156- -DR- _ _	150-151
MP- 156- -DS- _ _	144-145
MP- 156- -DS- _ X9 _	144-145
MP- 156- -DSE- _ _	146-147
MP- 156- -DW- _ _	150-151
MP- 156- -DW- _ R _	154-155
MP- 156- -DWE- _ _	152-153
MPL- 100- -DP- _ K _	120-121
MPL- 100- -DR- _ K _	122-123
MPL- 100- -DS- _ K _	116-117
MPL- 100- -DS- _ X9K _	116-117
MPL- 100- -DSE- _ K _	118-119
MPL- 100- -DW- _ K _	122-123
MPL- 100- -DW- _ KR _	126-127
MPL- 100- -DWE- _ K _	124-125
MPL- 100-18/31-DR- _ K _	128-129
MPL- 100-18/31-DW- _ K _	128.129

Micro Plastics Part Number	Page
MPL- 125- -DP- _ K _	134-135
MPL- 125- -DR- _ K _	136-137
MPL- 125- -DS- _ K _	130-131
MPL- 125- -DS- _ X9K _	130-131
MPL- 125- -DSE- _ K _	132-133
MPL- 125- -DW- _ K _	136-137
MPL- 125- -DW- _ KR _	140-141
MPL- 125- -DWE- _ K _	138-139
MPL- 150- -DR- _ K _	142-143
MPL- 150- -DW- _ K _	142-143
MPL- 156- -DFS- _ K _	156-157
MPL- 156- -DP- _ K _	148-149
MPL- 156- -DR- _ K _	150-151
MPL- 156- -DS- _ K _	144-145
MPL- 156- -DS- _ X9K _	144-145
MPL- 156- -DSE- _ K _	146-147
MPL- 156- -DW- _ K _	150-151
MPL- 156- -DW- _ KR _	154-155
MPL- 156- -DWE- _ K _	152-153
MPSL- 100- -DR- _ K _	122-123
MPSL- 100- -DS- _ K _	116-117
MPSL- 100- -DS- _ X9K _	116-117
MPSL- 100- -DSE- _ K _	118-119
MPSL- 100- -DW- _ K _	122-123
MPSL- 100- -DW- _ KR _	126-127
MPSL- 100- -DWE- _ K _	124-125
MPSL- 100-18/31-DR- _ K _	128-129
MPSL- 100-18/31-DW- _ K _	128.129
MPSL- 125- -DR- _ K _	136-137
MPSL- 125- -DS- _ K _	130-131
MPSL- 125- -DS- _ X9K _	130-131
MPSL- 125- -DSE- _ K _	132-133
MPSL- 125- -DW- _ K _	136-137
MPSL- 125- -DW- _ KR _	140-141
MPSL- 125- -DWE- _ K _	138-139
MPSL- 150- -DR- _ K _	142-143
MPSL- 150- -DW- _ K _	142-143
MPSL- 156- -DFS- _ K _	156-157
MPSL- 156- -DR- _ K _	150-151
MPSL- 156- -DS- _ X9K _	144-145
MPSL- 156- -DS- _ K _	144-145
MPSL- 156- -DSE- _ K _	146-147
MPSL- 156- -DW- _ K _	150-151
MPSL- 156- -DW- _ KR _	154-155
MPSL- 156- -DWE- _ K _	152-153