

Applications for Sullins Connectors:

- Burn-in and Test Systems
- Electronic Component Testing
- Burn-in Boards
- High Power Device Testers
- Highly Accelerated Life Test
- Semiconductor Testing
- Communications Equipment
- Medical Equipment Instrumentation
- Power Converters and Power Supplies
- Aerospace
- Automotive
- And more...

The Sullins Advantage

- Five-day Lead Time*
- Free Samples – Fast!
- High Quality and Reliable Connectors
- Engineering Design and Technical Support
- Connector Experts at Your Service Assist with Specific Project Requirements
- Design and Build Custom Parts to Suit Your Needs
- RoHS Compliance



Order Samples and Products:

www.sullinscorp.com
 info@sullinscorp.com
 760.744.0125
 888.774.3100 toll-free

Hi-Temp Connectors

Features:

Hi-Temp Male Headers **NEW!**

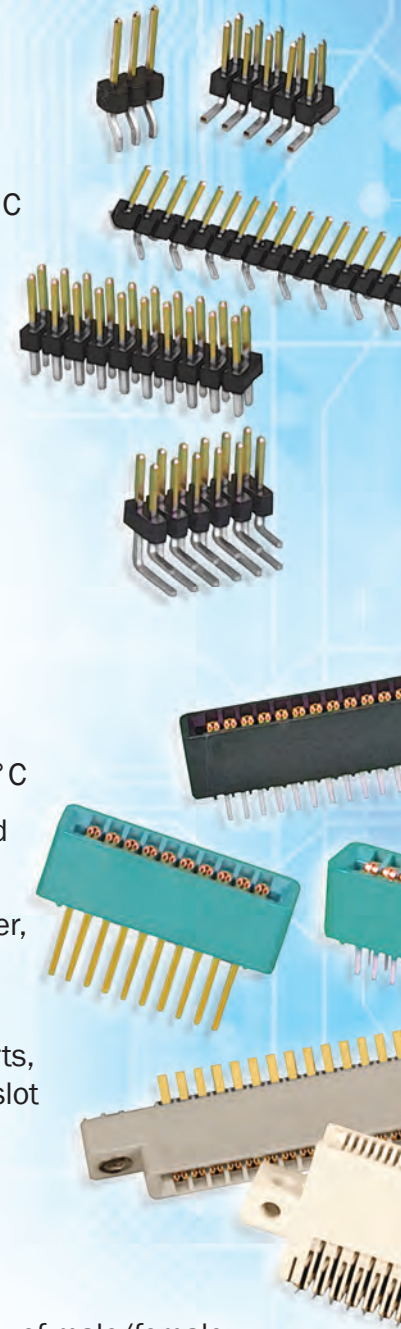
- Operating temperature range of -65°C to +150°C
- Support solder reflow process up to 260°C peak for 120 seconds max
- Comes in single and dual row configuration with 1 to 36 pins per row
- Available in straight and right angle through-hole, as well as vertical and horizontal surface mount terminations
- Comes in various plating options, including full gold, selective gold, and pure tin

Hi-Temp Card Edge Connectors

- Operating temperature range of -65°C to +250°C
- Available in 1.0mm, 0.050", 0.100", 0.125", and 0.156" contact centers with 2-120 pins per row
- Choices of termination types, including dip solder, wire wrap, right angle, and card extender
- Large selection of mounting styles, including clearance holes, flush mounting, threaded inserts, straddle mount, floating bobbin and open card slot
- Comes in various plating options, including full gold, selective gold and pure tin

Benefits:

- Available in temperatures up to 250°C for demanding thermal applications
- Features high mating cycle for all our connectors for long-lasting usage
- Large variety of male/female gender, contact centers and termination styles allow maximum design flexibility for various board-to-board applications
- RoHS-compliant and UL94V-0 rated



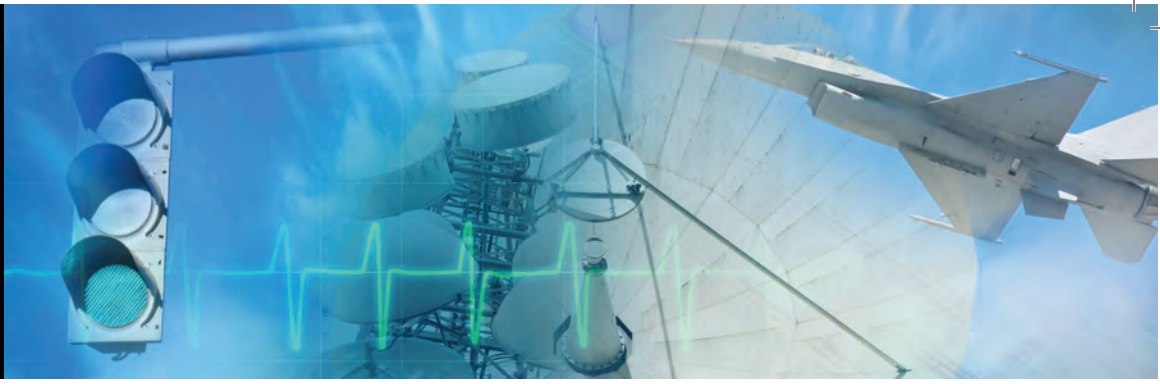
www.sullinscorp.com

USA HQ | 801 E. Mission Rd., San Marcos, CA 92069, USA | +1-760-744-0125 | fax +1-760-744-6081
 Taiwan | 10F, No. 268, Fuxing S. Rd., Sec. 2, Taipei, Taiwan | +886-2-2738-7377 | fax +886-2-2738-3586

*More customized specifications may require additional time to complete.

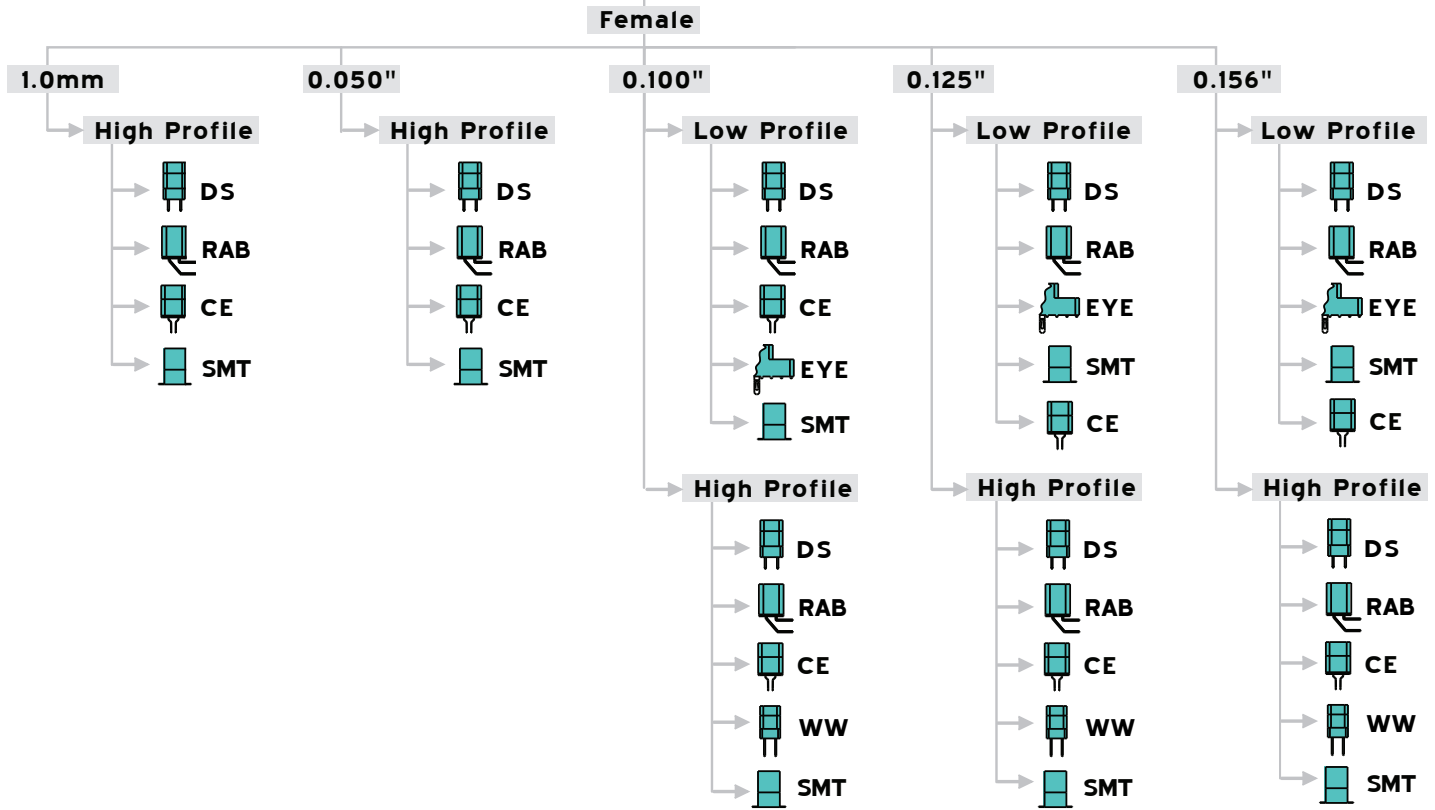
©2010 Sullins Connector Solutions

Product Configuration Chart

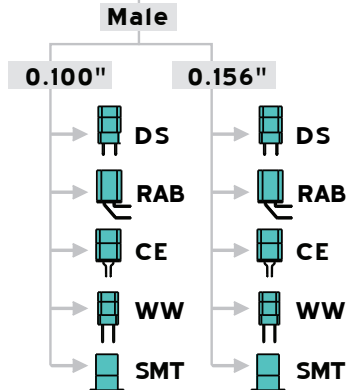


Hi-Temp Connectors

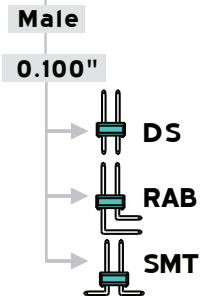
High Temperature Card Edge Connectors



High Temperature Card Edge Connectors



High Temperature Headers



CE Card Extender	DS Dip Solder	EYE Eyelet	PF Press Fit	RAB Right Angle Bend	SMT Surface Mount	WW Wire Wrap	Low Profile 0.431" Insulator Height	High Profile over 0.431" Insulator Height	Header DS Dip Solder	Header RAB Right Angle Bend	Header SMT Surface Mount
----------------------------	-------------------------	----------------------	------------------------	--------------------------------	-----------------------------	------------------------	---	---	--------------------------------	---------------------------------------	------------------------------------