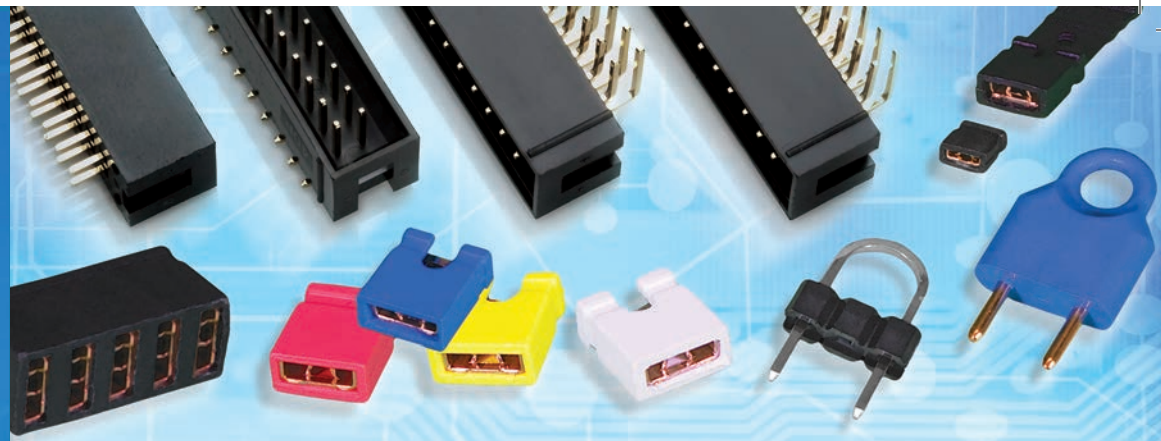


Applications for Sullins Connectors:

- Aircraft Electronic Controls and Radio Communications
- Computing Equipment and Peripherals
- Consumer Electronics and Household Appliances
- Office Equipment
- Automotive Electronics and Accessories
- Casino Gaming Devices
- Medical Devices
- Industry Machinery and Process Control Equipment
- Telecommunication
- Vending Machines
- Burn-in Ovens and Test Equipment
- And more...

The Sullins Advantage

- Five-day Lead Time*
- Free Samples – Fast!
- High Quality and Reliable Connectors
- Engineering Design and Technical Support
- Connector Experts at Your Service Assist with Specific Project Requirements
- Design and Build Custom Parts to Suit Your Needs
- RoHS Compliance



Headers and Shunts/Jumpers

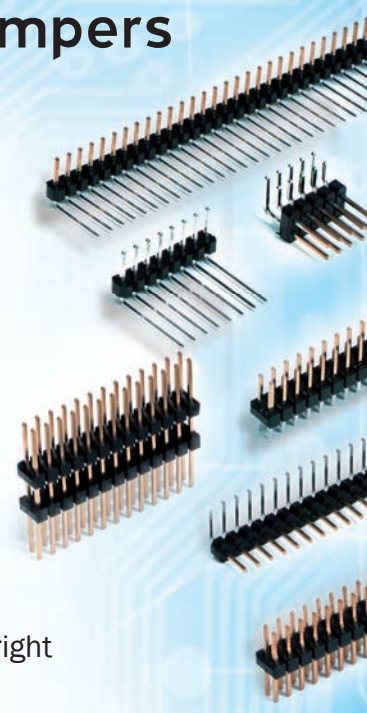
Features and Benefits:

Headers

- Available in a large variety of male and female header types for all kinds of applications
- Available in 1.0mm, 0.050", 2.0mm, and 0.100" contact centers
- Various insulator heights to accommodate different application needs
- Available in board stacking configurations
- Choices of termination types include straight and right angle thru hole, as well as surface mount
- Various plating options, including full gold, selective gold and pure tin
- .100" male headers now available in 150°C high temperature configuration!

Shunts/Jumpers

- Available in 0.050", 2.0mm, 0.100", and 0.200" contact centers
- Various insulator heights to accommodate different application needs
- Various plating options, including full gold and pure tin, to support different mating cycle needs



www.sullinscorp.com

USA HQ | 801 E. Mission Rd., San Marcos, CA 92069, USA | +1-760-744-0125 | fax +1-760-744-6081
 Taiwan | 10F No. 268, Fuxing S. Rd., Sec. 2, Taipei, Taiwan | +886-2-2738-7377 | fax +886-2-2738-3586

*More customized specifications may require additional time to complete.

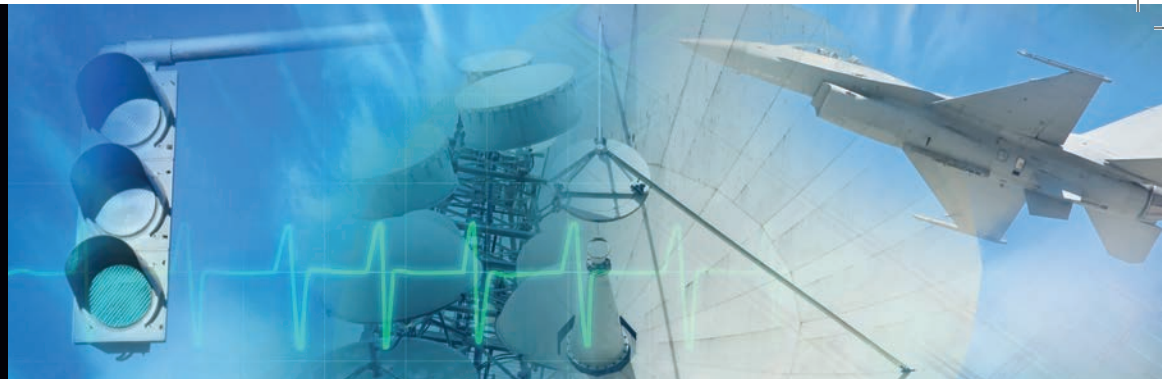
©2010 Sullins Connector Solutions



Order Samples and Products:

www.sullinscorp.com
info@sullinscorp.com
 760.744.0125
 888.774.3100 toll-free

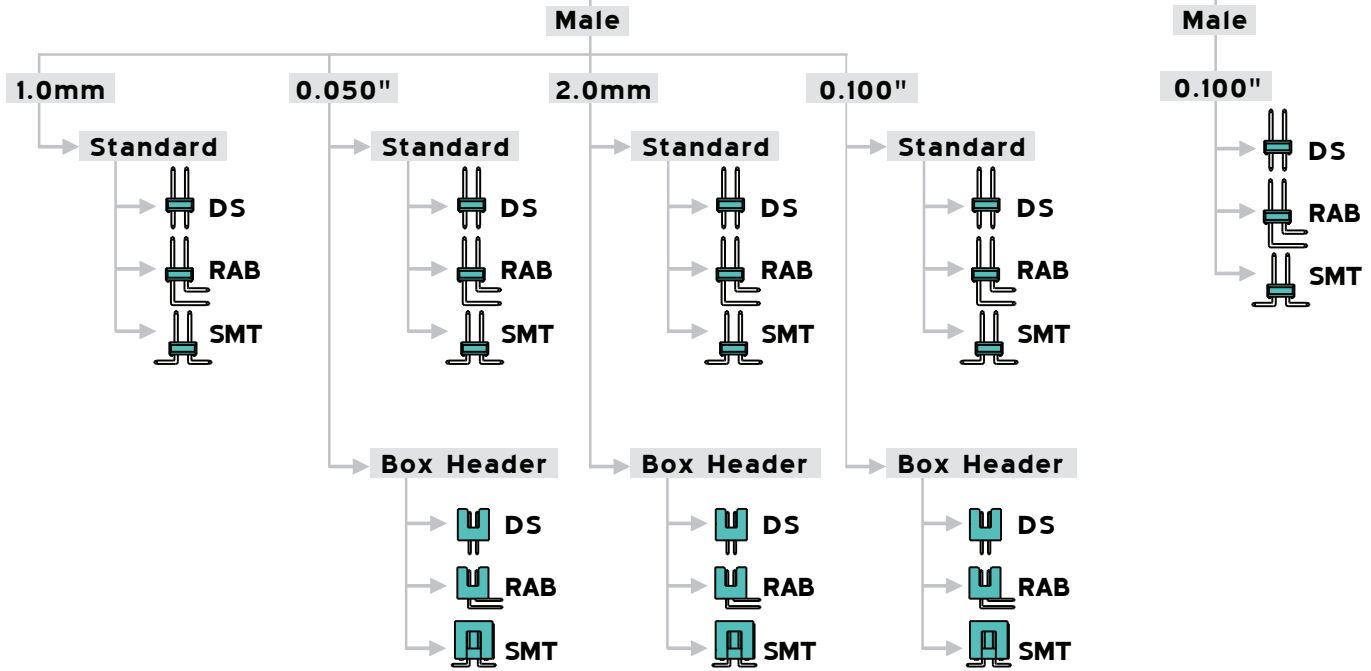
Product Configuration Chart



Headers

Standard Temperature

High Temperature



Standard Temperature

Shunts/Jumpers

