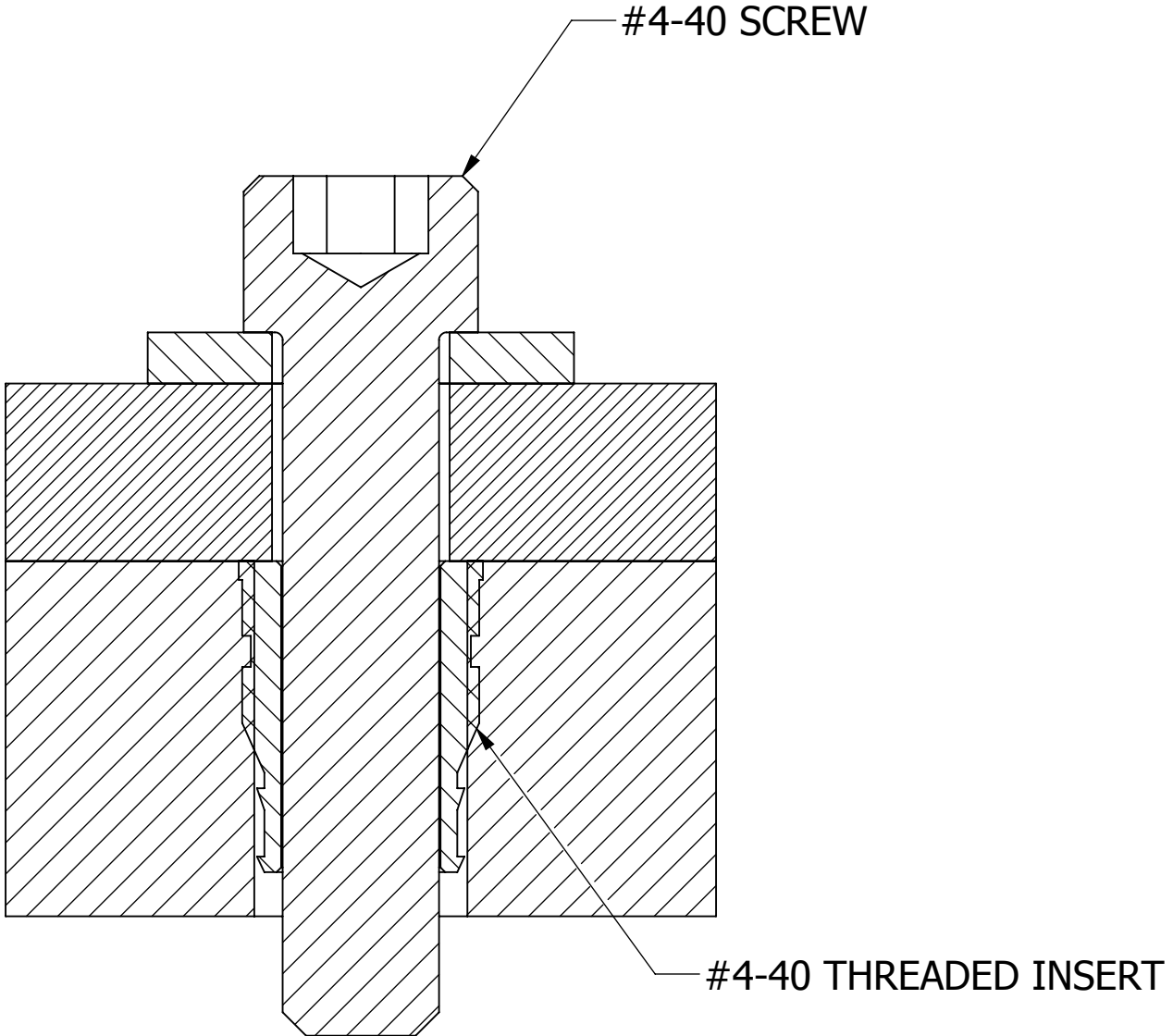
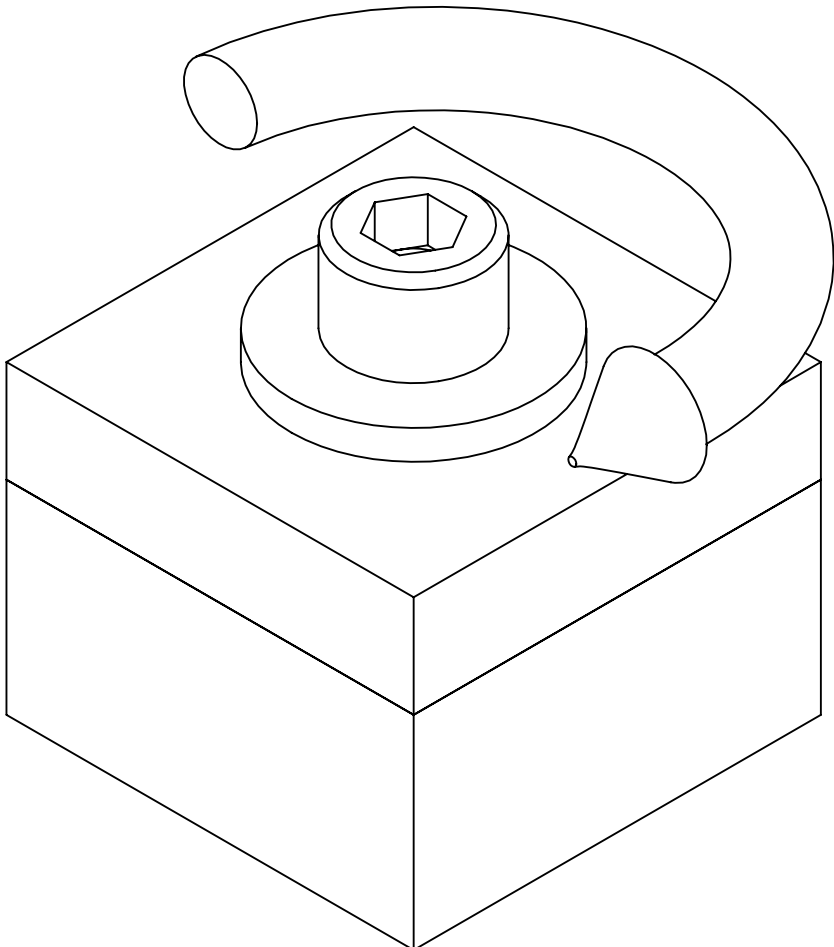
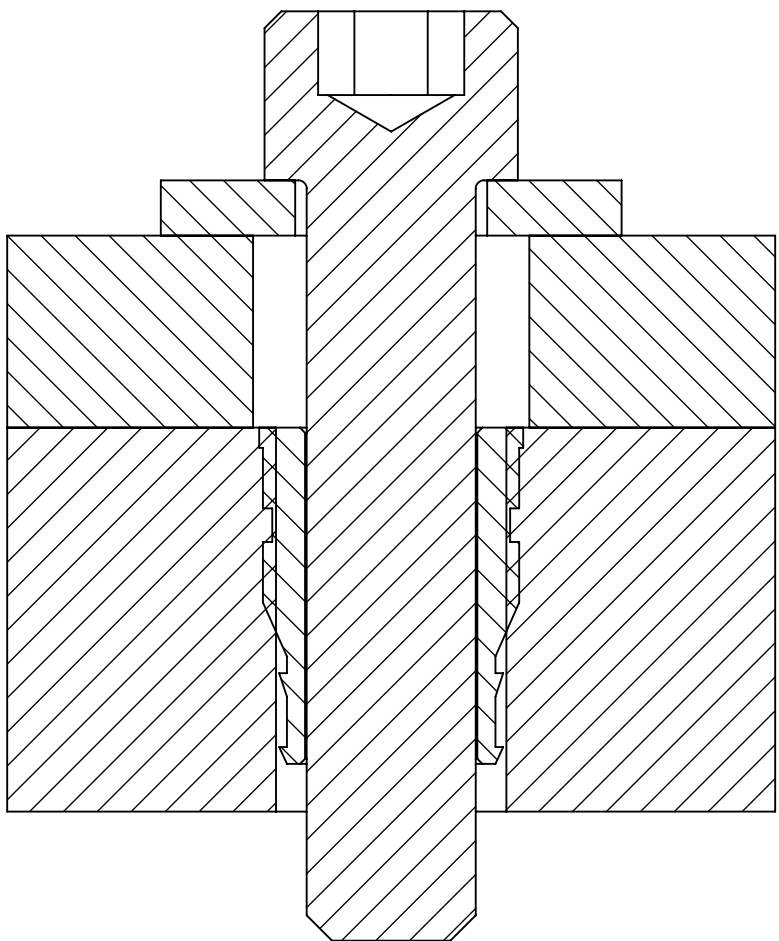


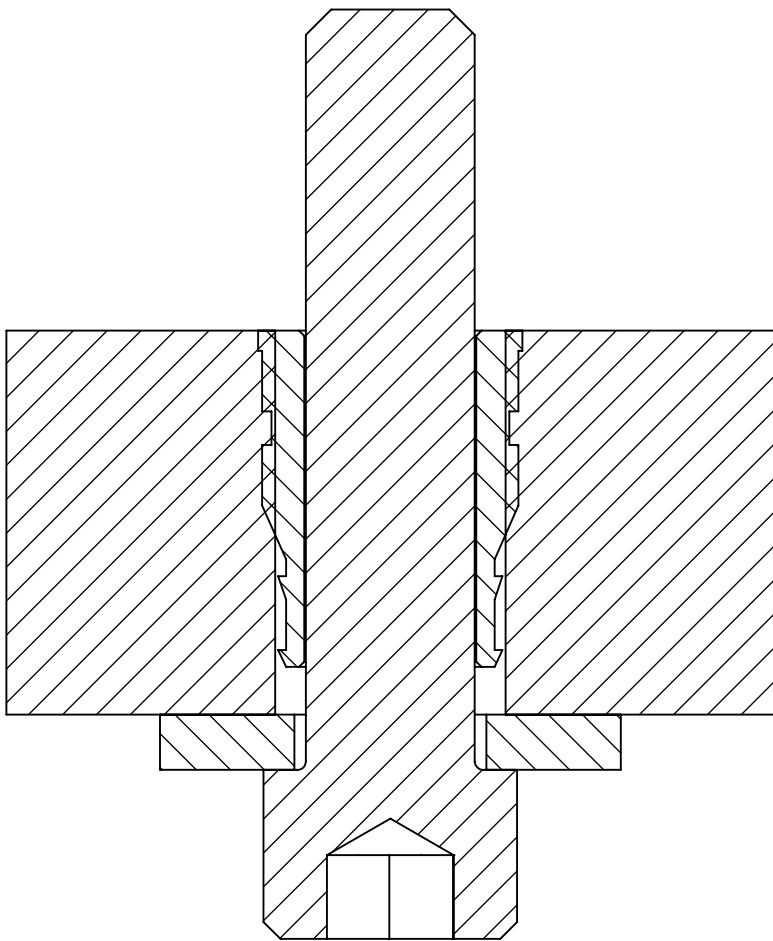
| REVISIONS |         |                 |           |    |
|-----------|---------|-----------------|-----------|----|
| REV.      | ECO. NO | DESCRIPTION     | DATE      | BY |
| A         | 2476    | INITIAL RELEASE | 9/22/2010 | TT |



**CORRECT  
ROTATIONAL TORQUE  
RECOMMENDED 4 IN-LBS**



**INCORRECT  
NOT RECOMMENDED**



**INCORRECT  
NOT RECOMMENDED**

**CUSTOMER COPY**

|   |  |                  |                           |                           |  |
|---|--|------------------|---------------------------|---------------------------|--|
| UNLESS OTHERWISE SPECIFIED:<br>DIMENSIONS ARE IN INCHES [MM]  |  | DRAWN            | DATE                      | NAME                      |  |
| TOLERANCES:<br>ANGULAR: $\pm 1^\circ$<br>DECIMALS<br>.XX = $\pm .02$ [.5]<br>.XXX = $\pm .005$ [.13]<br>.XXXX = $\pm .0005$ [.013]  |  | 9/22/2010        | TT                        | TT                        |  |
| <small>THE INFORMATION HEREIN CONTAINS PROPRIETARY INFORMATION OF SULLINS ELECTRONICS AND IS NOT TO BE REPRODUCED, USED OR DISCLOSED TO OTHERS FOR ANY PURPOSE EXCEPT AS SPECIFICALLY AUTHORIZED IN WRITING BY AN OFFICER OF SULLINS ELECTRONICS.</small> |  |                  |                           |                           | <b>TITLE</b><br><b>THREADED INSERT GUIDELINE #4-40</b> |
| <small>THE INFORMATION HEREIN CONTAINS PROPRIETARY INFORMATION OF SULLINS ELECTRONICS AND IS NOT TO BE REPRODUCED, USED OR DISCLOSED TO OTHERS FOR ANY PURPOSE EXCEPT AS SPECIFICALLY AUTHORIZED IN WRITING BY AN OFFICER OF SULLINS ELECTRONICS.</small> |  |                  |                           |                           | <b>PART NUMBER</b><br>N/A                              |
|   |  | <b>SIZE</b><br>C | <b>CAGE CODE</b><br>54453 | <b>DWG. NO.</b><br>C11545 | <b>REV</b><br>A  |
| SCALE: 8:1  |  | SHEET 1 OF 1     |                           |                           |  |