



FREE SAMPLES — FAST!

We'll be happy to provide you with free samples for your next project. Our samples usually ship the same day so you can evaluate our products for your next design. It's as simple as calling your sales rep today or using our convenient web sample request.

QUICK QUOTES

Our customer-driven sales team will provide quotes quickly, usually within hours of being contacted. Our aim is to provide you with pricing information fast, so you can place your order and receive it on time.

CUSTOM CONNECTORS

Whether your next design requires a unique connector or just something simple like a molded-in key, Sullins is ready to provide you with a solution to your particular design challenge. We can design a custom connector for your project with little or no additional cost. Call our sales team today and experience the Sullins Advantage. And, since we manufacture most of our connectors in California, we can usually have a custom product ready in just days.

FREE CONSULTATION

Our engineering and technical teams are experts in edgcard connector and header design. We can help with engineering consultation for a variety of connector applications and a broad range of products. Call us and utilize our technical resources on your next design.

QUICK TURNAROUND

Your project is important to us, so fast delivery is our primary goal. Our average lead times are less than five days, and many orders ship the same day. We strive to provide you with the best quality products in record time. Great products, delivered fast! Our goal is to keep your project on track.

EASY PRODUCT SEARCH

Quickly find a product by part number by using our index on pages 143-148

CONTACT US

E-mail info@sullinscorp.com	Online www.sullinscorp.com	USA Phone toll-free 888.774.3100 international 760.744.0125	USA Fax 760.744.6081	USA Mail 801 E. Mission Road San Marcos, CA 92069 USA
		Taiwan Phone 886-2-2738-7377	Taiwan Fax 886-2-2738-3586	Taiwan Mail 8F-1, No 268 Fuxing S Rd, Sec 2, Taipei, Taiwan



Sullins Edgecards

GENERAL SPECIFICATIONS 2
PART NUMBER OPTIONS 3

1.00 mm [.039"] Contact Centers

15.49 mm [.610"] Profile, Dip Solder/Card Extender/SMT 4
21.84 mm [.860"] Profile, Right Angle 6
15.49 mm PCI Express Dip Solder 8
15.49 mm PCI Express Card Extender for Straddle Mount 10

.050" [1.27 mm] Contact Centers

.610" [15.49 mm] Profile, Dip Solder/Card Extender/SMT 12
.915" [23.23 mm] Profile, Right Angle 14
.610" [15.49 mm] Profile, [MCA] Dip Solder/Card Extender/SMT 16
.915" [23.23 mm] Profile, [MCA] Right Angle 18
.610" [15.49 mm] Profile, [PCI] Dip Solder/Card Extender/SMT 20
.915" [23.23 mm] Profile, [PCI] Right Angle 22

Bi-Level, .050" [1.27 mm] / .100" [2.54 mm] Contact Centers

High Density, Card Extender, Dip Solder for .062" [1.57] or .093" [2.36] Mating PCB 24
Bi-Level, High Density, Right Angle for .062" [1.57] or .093" [2.36] Mating PCB 26

Male Edgecards, .100" [2.54 mm] Contact Centers

.540" [13.72 mm] Profile, Male Edgecard, Dip Solder/Right Angle/Card Extender 28

.100" [2.54 mm] Contact Centers

.431" [10.95 mm] Profile, Dip Solder/Eyelet/Right Angle for .062" [1.57] or .031" [0.79] Mating PCB 30
.431" [10.95 mm] Profile, Dip Solder/Eyelet/Right Angle for .093" [2.36] Mating PCB 32
.550" or .610" [15.49 mm] Profile, Press Fit 34
.560" [14.22 mm] Profile, .400" Wide Body, Double Point Contact, Dip Solder/Wire Wrap/Right Angle/Card Extender 36
.610" [15.49 mm] Profile, Dip Solder/Wire Wrap/Right Angle/Card Extender 38
.610" [15.49 mm] Profile, Dip Solder/Wire Wrap/Right Angle for .093" [2.36] or .125" [3.18] Mating PCB 40
.610" [15.49 mm] Profile, .400" Wide Body for .093" [2.36] Mating PCB, Dip Solder/Wire Wrap/Right Angle/Card Extender .. 42
.610" [15.49 mm] Profile, Dip Solder/ Wire Wrap/Right Angle [ISA] 44
.690" [17.52 mm] Profile, Make Before Break Dip Solder/Card Extender/Right Angle 46

.125" [3.18 mm] Contact Centers

.431" [10.95 mm] Profile, Dip Solder/Eyelet/Right Angle for .062" [1.57] or .031" [0.79] Mating PCB 48
.610" [15.49 mm] Profile, Dip Solder/Wire Wrap/Right Angle 50
.610" [15.49 mm] Profile, Dip Solder/Wire Wrap/Right Angle for .093" [2.36] or .125" [3.18] Mating PCB 52

.150" [3.81 mm] Contact Centers

.550" [13.97 mm] Profile, Dip Solder/Wire Wrap 54

Bi-Level, .078" [1.98 mm] / .156" [3.96 mm] Contact Centers

Bi-Level, High Density, Right Angle 56

Male Edgecards, .156" [3.96 mm] Contact Centers

.540" Profile, Male Edgecard, Dip Solder, Right Angle/ Card Extender 58

.156" [3.96mm] Contact Centers

.431" [10.95 mm] Profile, Dip Solder/Eyelet/Right Angle 60
.431" [10.95 mm] Profile, Special Body Configuration, Dip Solder/Eyelet/Right Angle 62
.550" or .610" [15.49 mm] Profile, Press Fit 64
.610" [15.49 mm] Profile, Dip Solder/Wire Wrap/Right Angle 66
.610" [15.49 mm] Profile, Dip Solder/Wire Wrap/Right Angle for .093" [2.36] or .125" [3.18] Mating PCB 68
.720" [18.29 mm] Profile, .045" [1.14 mm] sq./ .031" [.79 mm] x .062" [1.57 mm] Wire Wrap 70



Sullins Headers

1.00 mm [.039"] Contact Centers

1.00 mm [.039"] Contact Centers, Male Header..... 72
 1.00 mm [.039"] Contact Centers, Female Header..... 74

.050" [1.27 mm] Contact Centers

.050" [1.27mm] Contact Centers, Male Header 76
 .050" [1.27mm] Contact Centers, Female Header 78
 .050" [1.27 mm] Contact Center, Male Shrouded Box Header, Straight, Right Angle, SMT..... 80
 .050" [1.27 mm] Contact Center, Female Header, SMT with Posts 81
 .050" [1.27 mm] Contact Center, .100" [2.54mm] Row Spacing, Male Shrouded Box Header, Straight, Right Angle, SMT..... 82
 .050" [1.27 mm] Contact Center, .100" [2.54mm] Row Spacing, IDC Socket 83

.079" [2.00 mm] Contact Centers

.079" [2mm] Contact Centers, Male Header 84
 .079" [2mm] Contact Centers, Female Header 86
 .079" [2mm] Contact Centers, Male Shrouded Box Header 88
 .079" [2mm] Contact Centers, IDC Socket 89

.100" [2.54 mm] Contact Centers

.100" [2.54mm] Contact Centers, Male Breakaway Header 90
 .100" [2.54 mm] Contact Centers, Female Header 92
 .100" [2.54 mm] Contact Centers, Male Shrouded Box Header 94
 .100" [2.54 mm] Contact Centers, Female Header, Straight and Right Angle 95
 .100" [2.54 mm] Contact Centers, IDC Socket, Insulation Displacement With or Without Strain Relief..... 96
 .100" [2.54 mm] Contact Centers, IDC Dip Plug, Straight..... 97



Micro Plastics Edgecards

GENERAL SPECIFICATIONS 98
PART NUMBER OPTIONS 99

.100" [2.54 mm] Contact Centers

.431" [10.95 mm] Profile, Dip Solder 100
.431" [10.95 mm] Profile, Card Extender 102
.431" [10.95 mm] Profile, Eyelet 104
.610" [15.49 mm] Profile, Wire Wrap & Dip Solder 106
.550" [13.90 mm] Profile, .025" [.64 mm] Square Card Extender 108
.610" [15.49 mm] Profile, Right Angle 110
.610" [15.49 mm] Profile, Special 18/31 with Barrier, Dip Solder/ Wire Wrap [ISA] 112

.125" [3.18 mm] Contact Centers

.431" [10.95 mm] Profile, Dip Solder 114
.431" [10.95 mm] Profile, Card Extender 116
.431" [10.95 mm] Profile, Eyelet 118
.610" [15.49 mm] Profile, Wire Wrap & Dip Solder 120
.550" [13.90 mm] Profile, .025" [.64 mm] Square Card Extender 122
.610" [15.49 mm] Profile, Right Angle 124

.150" [3.81 mm] Contact Centers

.550" [13.90 mm] Profile, .025" [.64 mm] Square & .026" [.66 mm] Round Dip Solder 126

.156" [3.96 mm] Contact Centers

.431" [10.95 mm] Profile, Dip Solder 128
.431" [10.95 mm] Profile, Card Extender 130
.431" [10.95 mm] Profile, Eyelet 132
.610" [15.49 mm] Profile, Wire Wrap & Dip Solder 134
.550" [13.97 mm] Profile, .025" [.64 mm] Square Card Extender 136
.610" [15.49 mm] Profile, Right Angle 138
.720" [18.29 mm] Profile, .045" [1.14 mm] Square Wire Wrap 140

Polarizing Keys

Polarizing Keys, In Between Contact & In Contact 142

Part Number Index

..... 143



A BRAND NEW SULLINS

2008 is an exciting year for Sullins as we strive to become a more customer-driven and competitive company offering a wider spectrum of products and services than ever before. To achieve this goal, we are rebranding our company from the inside out. In the coming months, you'll be experiencing some new and revitalized results of our rebranding efforts in your interactions with Sullins. Below are just a few highlights we'd like to share with you:

New Logo

Sullins' fresh new logo symbolizes our transformation into a more modern and streamlined company in order to serve customers like you more effectively. Our new tagline, "Connector Solutions" brings more focus and clarity in communicating our business to all audiences.

New Catalog

Our 2008 catalog is the largest ever, combining products from Sullins and Micro Plastics into one convenient reference. We hope our newly designed, comprehensive catalog is easy to use and provides all the information you need for your connector solutions.

New Web Site — Coming Summer 2008

Sullins is developing a brand new Web site to communicate and conduct business more effectively with online customers. The new, invigorated design will help online customers navigate the site easily, learn about new products better, find products quickly, understand our connector design process more thoroughly, purchase standard connectors from our online store, and much, much more!

GO THE DISTANCE

At Sullins, we go the distance to meet our customers' needs. But don't take our word for it. Here are what some customers have to say about our products and services.

*"You are awesome. I can always count on you to have the quotes in an hour or two.
You are timely and efficient, a pleasure to do business with."
-Jackie Feight, Heilind Electronics*

*"Sullins' response turnaround, accuracy and attention to detail is beyond impressive.
Simply amazing!"
-Paul Alexandrescu, Product Cost Engineering*

*"Man that was fast! Like how you work, girl. THANKS!!!!!!"
-Johnny Q. Guerrero, Ital Electronics*

*"You're the best."
-Erik Wisesa, Bisco Industries*

WE VALUE YOUR FEEDBACK

Your input is important to us as we continue to grow and become a better company. Please feel free to share any notable feedback or suggestions with us by e-mailing feedback@sullinscorp.com.



GENERAL SPECIFICATIONS

RoHS COMPLIANT



All parts are currently manufactured with recommended materials to meet RoHS standards. All contacts have 50u" of nickel underplating, and a large selection of plating options: Pure tin matte, overall gold, or selective gold plating. For complete part number information or operating/processing temperature parameters, visit the RoHS section of our website, or refer to page 5 of this catalog.

RoHS
COMPLIANT

MATERIALS

Insulator

- PBT, Valox*, Thermoplastic Polyester
- PPS, Ryton*, Polyphenylene Sulfide
- PEEK, Polyetheretherketone
- PA9T, High Temperature Polyamide
- Other materials available. Consult Factory

Contacts

Phosphor Bronze (Standard), Beryllium Copper, Beryllium Nickel, Spinodal**, Brass

Plating

Gold and/or Tin over .000050" Nickel Underplate, Lead Free

UL/CUL File Number: E64287

Cage Code: 54453

MECHANICAL

Board Insertion Force 16 oz Maximum per contact pair using .062"[1.58mm] thick steel test blade

Board Withdrawal Force 1 oz Minimum per contact pair using .062"[1.58mm] thick steel test blade

Special Insertion/Withdrawal forces available upon request

ELECTRICAL

Insulation Resistance: 5,000 Mega Ohm

Dielectric Withstanding Voltage

Contact Centers:	.039"[1mm]	.050"[1.27mm]	.100"[2.54mm]	.125"[3.18mm]	.150"[3.81mm]	.156"[3.96mm]
Voltage:	125 VDC	250 VDC	600 VDC	800 VDC	1500 VDC	1800 VDC
	225 VAC	300 VAC	750 VAC	750 VAC	900 VAC	950 VAC

Current Rating: 1 to 5 amp per contact

Contact Resistance: 30 milli ohm maximum at rated current

ENVIRONMENTAL

Solvent resistance: Perchloroethylene, Freon 113, Freon 11, Trichloroethylene

Operating Temperature:	PBT	-65° to +130°C	Phosphor Bronze	-65° to +125°C
	PPS	-65° to +200/220°C***	Beryllium Copper	-65° to +150°C
	PEEK	-65° to +250°C***	Spinodal**	-65° to +200°C
	PA9T	-65° to +150°C	Beryllium Nickel***	-65° to +300°C

(Continuous temperatures, higher for short duration. Contact Factory for details.)

* Or equivalent.

** Consult factory for special soldering guidelines.

*** Consult factory.



PART NUMBER OPTIONS

Sullins Edgecards

E B M 43 D RT H - Sxxx

MATERIALS (Insulator/Contact)

- E = PBT & Phosphor Bronze
OPERATING TEMPERATURE: -65°C to +125°C
PROCESSING TEMP: 260°C FOR 10 sec. MAX.
(230°C, 30 sec.)
- R = PPS & Phosphor Bronze
OPERATING TEMPERATURE: -65°C to +125°C
PROCESSING TEMPERATURE: 260°C FOR 120 sec. MAX.
- G = PA9T & PHOSPHOR BRONZE
OPERATING TEMPERATURE: -65°C to +125°C
PROCESSING TEMPERATURE: 260° FOR 120 sec. MAX.
- H = PBT & Beryllium Copper
OPERATING TEMPERATURE: -65°C to +125°C
PROCESSING TEMP: 260°C FOR 10 sec. MAX.
(230°C, 30 sec.)
- A = PPS & Beryllium Copper
OPERATING TEMPERATURE: -65°C to +150°C
PROCESSING TEMPERATURE: 260°C FOR 120 sec. MAX.
- J = PA9T & Beryllium Copper
OPERATING TEMPERATURE: -65°C to +150°C
PROCESSING TEMPERATURE: 260°C FOR 120 sec. MAX.
- M = White PA9T/Beryllium Copper
OPERATING TEMPERATURE: -65°C to +150°C
- F = PPS & Spinodal (Consult Factory)
OPERATING TEMPERATURE: -65°C to +200°C
- C = PPS & Beryllium Nickel (Consult Factory)
OPERATING TEMPERATURE: -65°C to +200°C
PROCESSING TEMPERATURE: 260°C FOR 120 sec. MAX.
- W = PEEK & Beryllium Nickel (Consult Factory)
OPERATING TEMPERATURE: -65°C to +250°C
- N = Nylon 6T & Phosphor Bronze
OPERATING TEMPERATURE: -10°C to +85°C
PROCESSING TEMPERATURE: 260°C for 10 sec. MAX.

CONTACT FINISH - RoHS Compliant

All platings are Lead Free and have .000050" Nickel underplate

	Contact Surface	Termination
B =	.000010" Gold	.000100" Pure Tin, Matte
C =	.000030" Gold	.000100" Pure Tin, Matte
G =	.000010" Gold	.000005" Gold
Y =	.000030" Gold	.000005" Gold
	Contact Surface	Overall Plating
S =	.000010" Gold	.000010" Gold
M =	.000030" Gold	.000010" Gold
E =	.000100" Pure Tin, Matte	.000100" Pure Tin, Matte

CONTACT CENTERS

- E = 1.00mm [.039"]
- B = .050" [1.27 mm]
- K = .078" [1.98 mm]
- C = .100" [2.54 mm]
- A = .125" [3.18 mm]
- J = .150" [3.84 mm]
- M = .156" [3.96 mm]

NUMBER OF CONTACT POSITIONS

See applicable specification page

READOUT

- D = Dual
- D = Dual Row/ Crimp to Center for Single Readout
- H = Half Loaded
- M = Male Edgecard

Registered Trademarks

- Sabic Innovative Plastics: Valox
- Phillips 66: Ryton
- Gardner-Denver Co.: Wire Wrap
- RTP Compounder: PEEK
- Sullins Electronics: Zero Lead Time
- Sullins Electronics: Sullins
- Underwriters Labs: UL
- Ametek: Spinodal

Specifications are subject to change without notice.

MODIFICATION CODE (Consult Factory)
OMIT FOR STANDARD

MOUNTING STYLE

- H = Clearance Holes, .125" [3.18mm] Dia
- N = No Mounting
- S = Side Mounting, .125" [3.18mm] Dia
- I = #4-40 Threaded Insert
- F = Floating Bobbin
- W = .430" Ears, Flush Mounting, .125" [3.18mm] Dia
- D = .250" Ears, Flush Mounting, .125" [3.18mm] Dia
- P = Clearance Holes, .142" [3.61mm] Dia.
- B = Open Card Slot
- X = .430" Ears, Flush Mounting, #4-40 Threaded Insert
- T = .250" Ears, Flush Mounting, #4-40 Threaded Insert
- Q = Straddle Mount
- Z = .250" Ears, Flush, Side Mounting

TERMINATION TYPE

- Card Extender**
- HR = .050" & 1mm Contact Centers
- KR, KN, PN, PR = .025" [.64mm] Square Post
- Dip Solder - High Profile**
- RS = .025 [.64mm] Square Tail, Loop Bellows
- CS, PD, PF, PS, SC = .025" [.64mm] Square Tail, Hairpin Bellows
- TK = .026" [.66mm] Round Tail, Loop Bellows
- CT, CW = .015" x .025" Tail, Hairpin Bellows
- CK = .026" [.66mm] Round Tail, Loop Bellows
- HH = 1mm [.039"] Contact Centers
- HH, HL, HN = .050" Contact Centers
- KS, KD = .025" [.64mm] Square Post, Cantilever
- Dip Solder - Low Profile**
- SX, SU = Crimp to Center for Single Readout
- RT, RK, RY = .140" [3.56mm] Row Spacing
- RX, RF, RU, RP = .200" [5.08mm] Row Spacing
- RJ = .250" [6.35mm] Row Spacing
- Eyelet**
- RE, TE, SE = Eyelet Tail
- Press Fit**
- .200" [5.08mm] Row Spacing
- .100" [2.54mm] Row Spacing
- JB = .025" [.64mm] Sq. Post
- JF = .025" [.64mm] Sq. Post
- JC = .025" [.64mm] Sq. Post
- JG = .025" [.64mm] Sq. Post
- JW = .025" [.64mm] Sq. Post
- JY = .025" [.64mm] Sq. Post
- JX = .025" [.64mm] Sq. Post
- JZ = .025" [.64mm] Sq. Post
- Right Angle**
- TA, TB, TM = Loop Bellows
- CA, CB, CC, PU = Hairpin Bellows
- PB, PG, PE, PJ, PP = Hairpin Bellows
- KA, KE, KU, KJ = Cantilever
- HA = .050" & 1mm Contact Centers
- HB = .050" & 1mm Contact Centers
- RA, SA = Full Bellows
- Surface Mount**
- HF = Surface Mount, .050" & 1mm Contact Centers
- Wire Wrap**
- RM = .025" [.64mm] Square Post, Loop Bellows
- CM, MC, PM = .025" [.64mm] Square Post, Hairpin Bellows
- KK = .031" [.79mm] x .062" [1.58mm] Post
- KL = .031" [.79mm] x .062" [1.58mm] Post Twisted 90°
- KM = .025" [.64mm] Square Post, Cantilever
- WW = .045" [1.14mm] Square Post
- Bi-Level Terminations**
- LR = Card Extender
- LT = Dip Solder
- KB = Right Angle
- Male Edgecards**
- MW, MS = Dip Solder
- MA, MV, MB = Right Angle
- MR, MN = Card Extender
- MD, MJ, MK = Right Angle
- MM = Wire Wrap

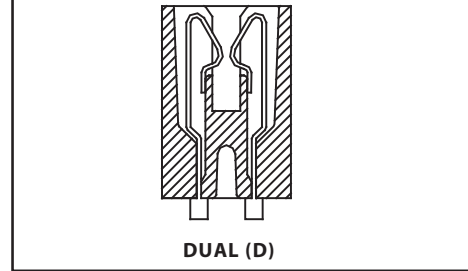


1.00 mm [.039"] Contact Centers, 15.49 mm [.610"] Insulator Height
Dip Solder/Card Extender/SMT

SPECIFICATIONS

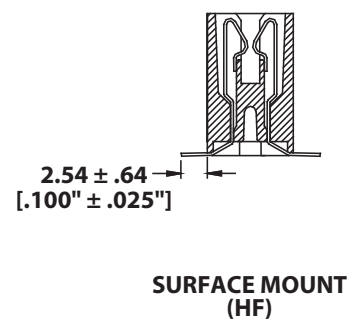
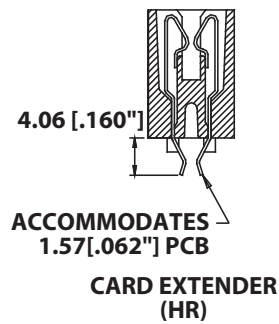
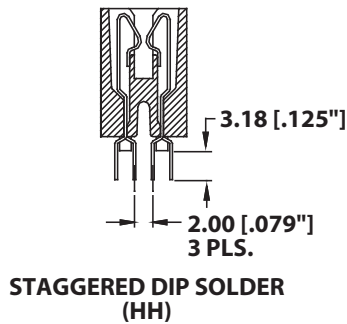
- Accommodates 1.57 mm \pm .20 [.062" \pm .008"] PC board
- PPS or PA9T insulator
- Molded-in key available
- 1 amp current rating per contact
- Highly reliable high cycle hairpin bellow contacts
- 150 grams normal force minimum

READOUT

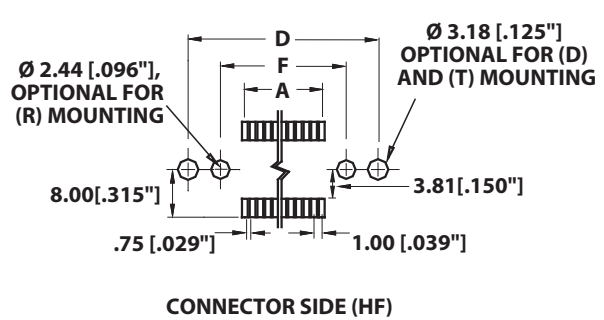
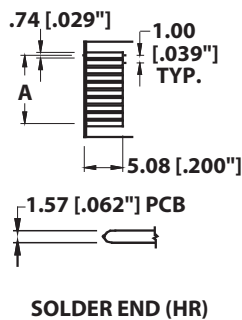
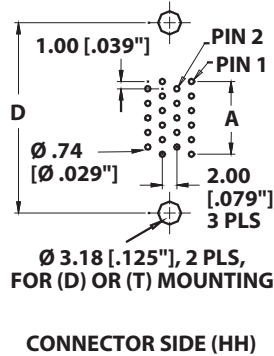


Sullins Edgecards

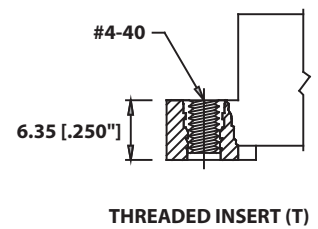
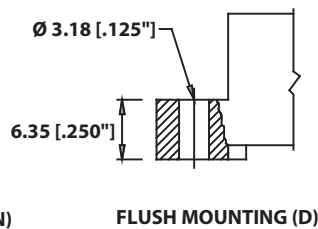
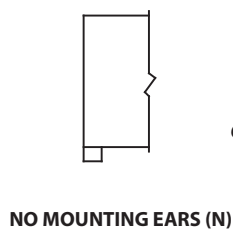
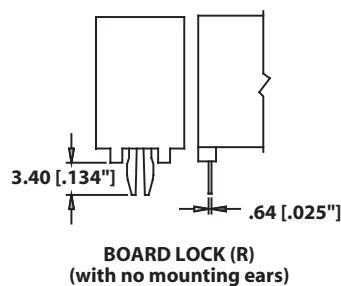
TERMINATION TYPE



PCB LAYOUT



MOUNTING STYLE





1.00 mm [.039"] Contact Centers, 15.49 mm [.610"] Insulator Height Dip Solder/Card Extender/SMT

Sullins Edgecards

PART NUMBER CODING

MATERIALS (INSULATOR/CONTACT)

- E = PBT/Phosphor Bronze
- H = PBT/Beryllium Copper
- G = PA9T/Phosphor Bronze
- R = PPS/Phosphor Bronze
- J = PA9T/Beryllium Copper
- A = PPS/Beryllium Copper

CONTACT FINISH - RoHS Compliant

All platings are Lead Free and have .000050" Nickel underplate

Contact Surface Termination

- B = .000010" Gold .000100" Pure Tin, Matte
- C = .000030" Gold .000100" Pure Tin, Matte

CONTACT CENTERS

- E = 1.00mm [.039"]

G B E 50 D HH D - Sxxx

MODIFICATION CODE (Consult Factory)
OMIT FOR STANDARD

MOUNTING STYLE (Opposite Page)

- D = Flush Mounting
- N = No Mounting
- R = Metal Board Lock
- T = Flush Mounting, #4-40 Threaded Insert

TERMINATION TYPE (Opposite Page)

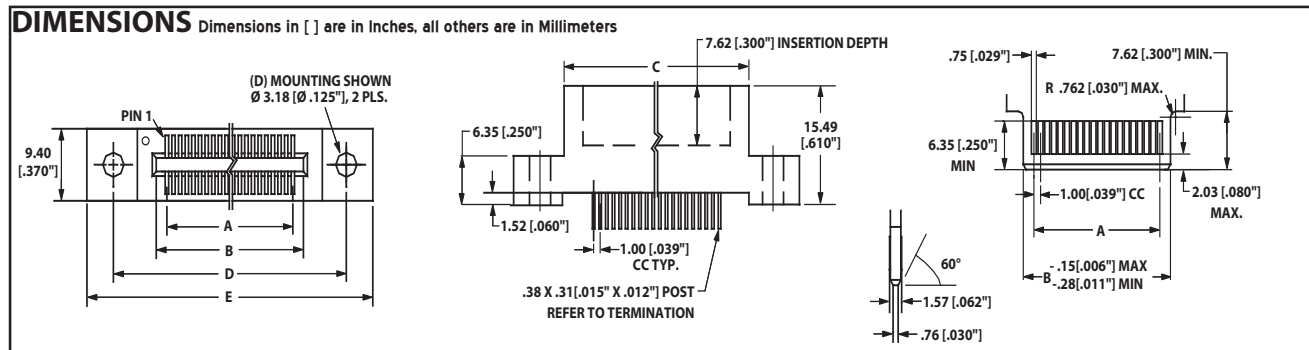
- HH = Staggered Dip Solder
- HR = Card Extender
- HF = Surface Mount

READOUT (Opposite Page)

- D = Dual

NUMBER OF CONTACT POSITIONS

See Chart Below



POSITIONS/ CONTACTS	MILLIMETERS						[INCHES]					
	A ±.13	B ±.13	C ±.38	D ±.25	E ±.51	F ±.25	A ±.005	B ±.005	C ±.015	D ±.010	E ±.020	F ±.010
02/04*	1.00	4.32	9.89	17.15	25.13	4.66	0.039	0.170	0.389	0.675	0.989	0.183
03/06*	2.00	5.32	10.89	18.15	26.13	5.66	0.079	0.210	0.429	0.715	1.029	0.223
04/08*	3.00	6.32	11.89	19.15	27.13	6.66	0.118	0.249	0.468	0.754	1.068	0.262
05/10	4.00	7.32	12.89	20.15	28.13	7.66	0.157	0.288	0.507	0.793	1.107	0.301
06/12*	5.00	8.32	13.89	21.15	29.13	8.66	0.197	0.328	0.547	0.833	1.147	0.341
07/14*	6.00	9.32	14.89	22.15	30.13	9.66	0.236	0.367	0.586	0.872	1.186	0.380
08/16*	7.00	10.32	15.89	23.15	31.13	10.66	0.276	0.407	0.626	0.912	1.226	0.420
09/18*	8.00	11.32	16.89	24.15	32.13	11.66	0.315	0.446	0.665	0.951	1.265	0.459
10/20	9.00	12.32	17.89	25.15	33.13	12.66	0.354	0.485	0.704	0.990	1.304	0.498
11/22*	10.00	13.32	18.89	26.15	34.13	13.66	0.394	0.525	0.744	1.030	1.344	0.538
12/24*	11.00	14.32	19.89	27.15	35.13	14.66	0.433	0.564	0.783	1.069	1.383	0.577
13/26*	12.00	15.32	20.89	28.15	36.13	15.66	0.472	0.603	0.822	1.108	1.422	0.616
14/28*	13.00	16.32	21.89	29.15	37.13	16.66	0.512	0.643	0.862	1.148	1.462	0.656
15/30	14.00	17.32	22.89	30.15	38.13	17.66	0.551	0.682	0.901	1.187	1.501	0.695
16/32*	15.00	18.32	23.89	31.15	39.13	18.66	0.591	0.722	0.941	1.227	1.541	0.735
17/34*	16.00	19.32	24.89	32.15	40.13	19.66	0.630	0.761	0.980	1.266	1.580	0.774
18/36*	17.00	20.32	25.89	33.15	41.13	20.66	0.669	0.800	1.019	1.305	1.619	0.813
19/38*	18.00	21.32	26.89	34.15	42.13	21.66	0.709	0.840	1.059	1.345	1.659	0.853
20/40	19.00	22.32	27.89	35.15	43.13	22.66	0.748	0.879	1.098	1.384	1.698	0.892
21/42*	20.00	23.32	28.89	36.15	44.13	23.66	0.787	0.918	1.137	1.423	1.737	0.931
22/44*	21.00	24.32	29.89	37.15	45.13	24.66	0.827	0.958	1.177	1.463	1.777	0.971
23/46*	22.00	25.32	30.89	38.15	46.13	25.66	0.866	0.997	1.216	1.502	1.816	1.010
24/48*	23.00	26.32	31.89	39.15	47.13	26.66	0.906	1.037	1.256	1.542	1.856	1.050
25/50	24.00	27.32	32.89	40.15	48.13	27.66	0.945	1.076	1.295	1.581	1.895	1.089
26/52*	25.00	28.32	33.89	41.15	49.13	28.66	0.984	1.115	1.334	1.620	1.934	1.128
27/54*	26.00	29.32	34.89	42.15	50.13	29.66	1.024	1.155	1.374	1.660	1.974	1.168
28/56*	27.00	30.32	35.89	43.15	51.13	30.66	1.063	1.194	1.413	1.699	2.013	1.207
29/58*	28.00	31.32	36.89	44.15	52.13	31.66	1.102	1.233	1.452	1.738	2.052	1.246
30/60	29.00	32.32	37.89	45.15	53.13	32.66	1.142	1.273	1.492	1.778	2.092	1.286
31/62*	30.00	33.32	38.89	46.15	54.13	33.66	1.181	1.312	1.531	1.817	2.131	1.325
32/64*	31.00	34.32	39.89	47.15	55.13	34.66	1.220	1.351	1.570	1.856	2.170	1.364
33/66*	32.00	35.32	40.89	48.15	56.13	35.66	1.260	1.391	1.610	1.896	2.210	1.404
34/68*	33.00	36.32	41.89	49.15	57.13	36.66	1.299	1.430	1.649	1.935	2.249	1.443
35/70	34.00	37.32	42.89	50.15	58.13	37.66	1.339	1.470	1.689	1.975	2.289	1.483
36/72*	35.00	38.32	43.89	51.15	59.13	38.66	1.378	1.509	1.728	2.014	2.328	1.522
37/74*	36.00	39.32	44.89	52.15	60.13	39.66	1.417	1.548	1.767	2.053	2.367	1.561
38/76*	37.00	40.32	45.89	53.15	61.13	40.66	1.457	1.588	1.807	2.093	2.407	1.601
39/78*	38.00	41.32	46.89	54.15	62.13	41.66	1.496	1.627	1.846	2.132	2.446	1.640
40/80	39.00	42.32	47.89	55.15	63.13	42.66	1.535	1.666	1.885	2.171	2.485	1.679
41/82*	40.00	43.32	48.89	56.15	64.13	43.66	1.575	1.706	1.925	2.211	2.525	1.719
42/84*	41.00	44.32	49.89	57.15	65.13	44.66	1.614	1.745	1.964	2.250	2.564	1.758
43/86*	42.00	45.32	50.89	58.15	66.13	45.66	1.654	1.785	2.004	2.290	2.604	1.798
44/88*	43.00	46.32	51.89	59.15	67.13	46.66	1.693	1.824	2.043	2.329	2.643	1.837
45/90	44.00	47.32	52.89	60.15	68.13	47.66	1.732	1.863	2.082	2.368	2.682	1.876
46/92*	45.00	48.32	53.89	61.15	69.13	48.66	1.772	1.903	2.122	2.408	2.722	1.916
47/94*	46.00	49.32	54.89	62.15	70.13	49.66	1.811	1.942	2.161	2.447	2.761	1.955
48/96*	47.00	50.32	55.89	63.15	71.13	50.66	1.850	1.981	2.200	2.486	2.800	1.994
49/98*	48.00	51.32	56.89	64.15	72.13	51.66	1.890	2.021	2.240	2.526	2.840	2.034
50/100	49.00	52.32	57.89	65.15	73.13	52.66	1.929	2.060	2.279	2.565	2.879	2.073

* Consult Factory For Availability

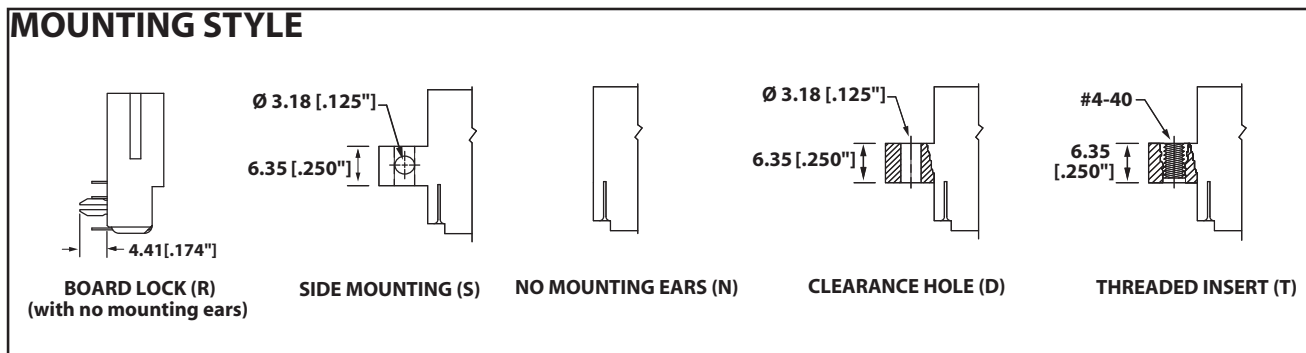
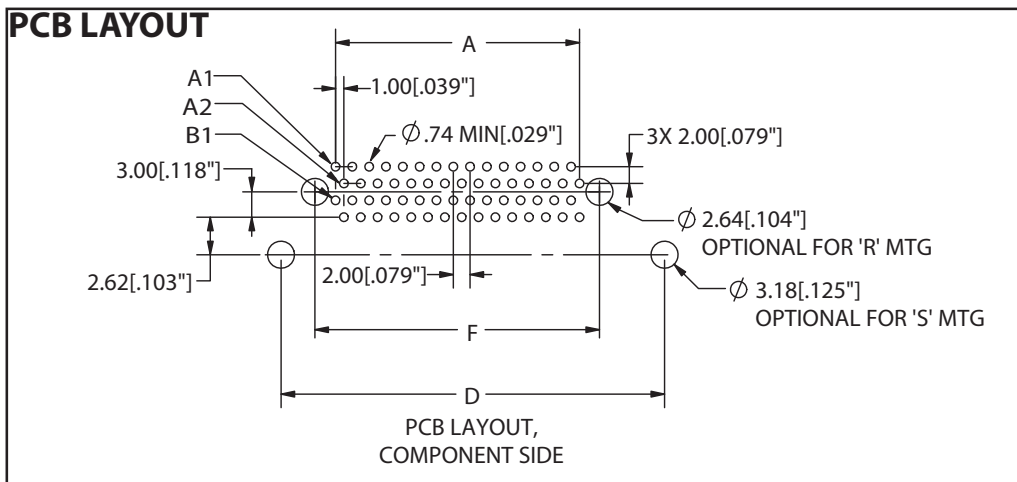
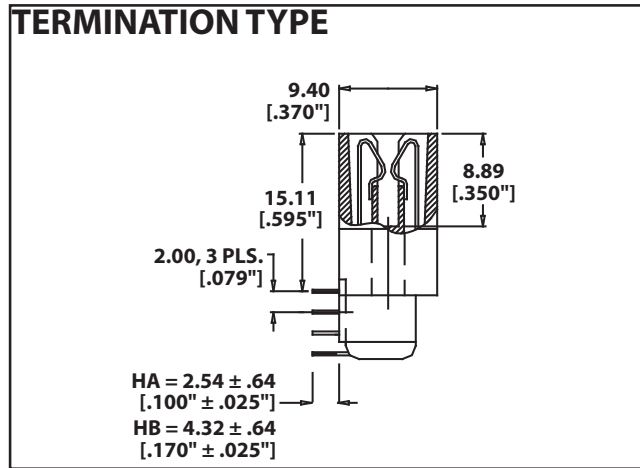
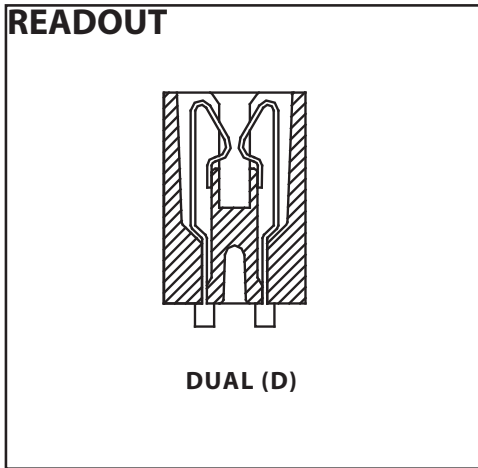
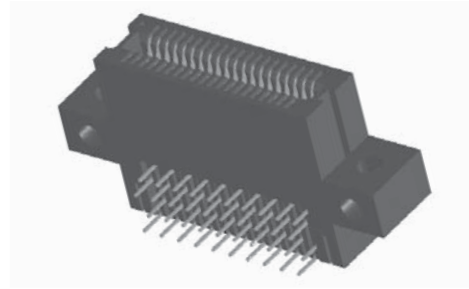


**1.00 mm [.039"] Contact Centers, 21.84 mm [.860"] Insulator Height
Right Angle**

Sullins Edgecards

SPECIFICATIONS

- Accommodates 1.57 mm ± .20 [.062" ± .008"] PC board
- PA9T or PPS insulator
- Molded-in key available
- High reliability/high cycle hairpin bellows contact
- 1 amp current rating per contact
- 150 grams normal force minimum





1.00 mm [.039"] Contact Centers, 21.84 mm [.860"] Insulator Height Right Angle

PART NUMBER CODING

G B E 50 D HA D - Sxxx

MATERIALS (INSULATOR/CONTACT)
 E = PBT/Phosphor Bronze
 H = PBT/Beryllium Copper
 G = PA9T/Phosphor Bronze
 R = PPS/Phosphor Bronze
 J = PA9T/Beryllium Copper
 A = PPS/Beryllium Copper

CONTACT FINISH - RoHS Compliant
 All platings are Lead Free and have .000050" Nickel underplate

Contact Surface	Termination
B = .000010" Gold	.000100" Pure Tin, Matte
C = .000030" Gold	.000100" Pure Tin, Matte

CONTACT CENTERS
 E = 1mm [.039"]

MODIFICATION CODE (Consult Factory)
 OMIT FOR STANDARD

MOUNTING STYLE (Opposite Page)
 D = Flush Mounting
 N = No Mounting
 R = Metal Board Lock
 S = Side Mounting
 T = Flush Mounting with Threaded Insert

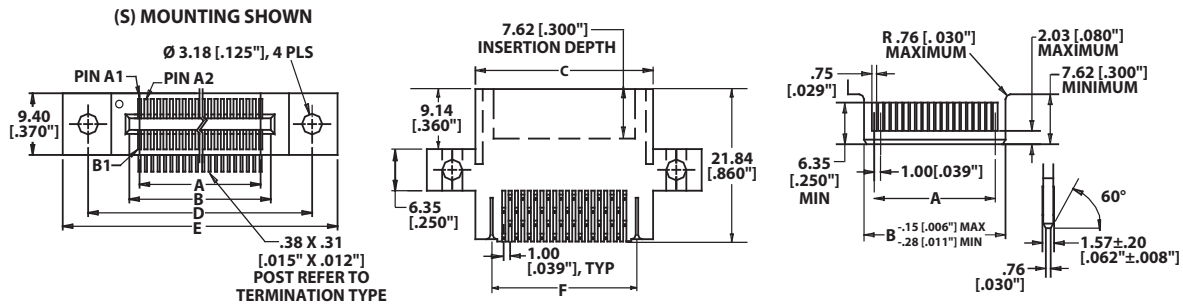
TERMINATION TYPE (Opposite Page)
 HA = .100" [2.54] Tail Length
 HB = .170" [4.32] Tail Length

READOUT (Opposite Page)
 D = Dual

NUMBER OF CONTACT POSITIONS
 See Chart Below

Sullins Edgecards

DIMENSIONS Dimensions in [] are in Inches, all others are in Millimeters



POSITIONS/ CONTACTS	MILLIMETERS						[INCHES]					
	A ±.13	B ±.13	C ±.38	D ±.25	E ±.51	F ±.25	A ±.005	B ±.005	C ±.015	D ±.010	E ±.020	F ±.010
02/04*	1.00	4.32	10.89	17.15	25.13	5.25	0.039	0.170	0.389	0.675	0.989	0.207
03/06*	2.00	5.32	10.89	18.15	26.13	6.25	0.079	0.210	0.429	0.715	1.029	0.246
04/08*	3.00	6.32	11.89	19.15	27.13	7.25	0.118	0.249	0.468	0.754	1.068	0.285
05/10	4.00	7.32	12.89	20.15	28.13	8.25	0.157	0.288	0.507	0.793	1.107	0.325
06/12*	5.00	8.32	13.89	21.15	29.13	9.25	0.197	0.328	0.547	0.833	1.147	0.364
07/14*	6.00	9.32	14.89	22.15	30.13	10.25	0.236	0.367	0.586	0.872	1.186	0.404
08/16	7.00	10.32	15.89	23.15	31.13	11.25	0.276	0.407	0.626	0.912	1.226	0.443
09/18*	8.00	11.32	16.89	24.15	32.13	12.25	0.315	0.446	0.665	0.951	1.265	0.482
10/20	9.00	12.32	17.89	25.15	33.13	13.25	0.354	0.485	0.704	0.990	1.304	0.522
11/22*	10.00	13.32	18.89	26.15	34.13	14.25	0.394	0.525	0.744	1.030	1.344	0.561
12/24*	11.00	14.32	19.89	27.15	35.13	15.25	0.433	0.564	0.783	1.069	1.383	0.600
13/26*	12.00	15.32	20.89	28.15	36.13	16.25	0.472	0.603	0.822	1.108	1.422	0.640
14/28*	13.00	16.32	21.89	29.15	37.13	17.25	0.512	0.643	0.862	1.148	1.462	0.679
15/30	14.00	17.32	22.89	30.15	38.13	18.25	0.551	0.682	0.901	1.187	1.501	0.719
16/32*	15.00	18.32	23.89	31.15	39.13	19.25	0.591	0.722	0.941	1.227	1.541	0.758
17/34*	16.00	19.32	24.89	32.15	40.13	20.25	0.630	0.761	0.980	1.266	1.580	0.797
18/36*	17.00	20.32	25.89	33.15	41.13	21.25	0.669	0.800	1.019	1.305	1.619	0.837
19/38*	18.00	21.32	26.89	34.15	42.13	22.25	0.709	0.840	1.059	1.345	1.659	0.876
20/40	19.00	22.32	27.89	35.15	43.13	23.25	0.748	0.879	1.098	1.384	1.698	0.915
21/42*	20.00	23.32	28.89	36.15	44.13	24.25	0.787	0.918	1.137	1.423	1.737	0.955
22/44*	21.00	24.32	29.89	37.15	45.13	25.25	0.827	0.958	1.177	1.463	1.777	0.994
23/46*	22.00	25.32	30.89	38.15	46.13	26.25	0.866	0.997	1.216	1.502	1.816	1.033
24/48*	23.00	26.32	31.89	39.15	47.13	27.25	0.906	1.037	1.256	1.542	1.856	1.073
25/50	24.00	27.32	32.89	40.15	48.13	28.25	0.945	1.076	1.295	1.581	1.895	1.112
26/52*	25.00	28.32	33.89	41.15	49.13	29.25	0.984	1.115	1.334	1.620	1.934	1.152
27/54*	26.00	29.32	34.89	42.15	50.13	30.25	1.024	1.155	1.374	1.660	1.974	1.191
28/56*	27.00	30.32	35.89	43.15	51.13	31.25	1.063	1.194	1.413	1.699	2.013	1.230
29/58*	28.00	31.32	36.89	44.15	52.13	32.25	1.102	1.233	1.452	1.738	2.052	1.270
30/60	29.00	32.32	37.89	45.15	53.13	33.25	1.142	1.273	1.492	1.778	2.092	1.309
31/62*	30.00	33.32	38.89	46.15	54.13	34.25	1.181	1.312	1.531	1.817	2.131	1.348
32/64*	31.00	34.32	39.89	47.15	55.13	35.25	1.220	1.351	1.570	1.856	2.170	1.388
33/66	32.00	35.32	40.89	48.15	56.13	36.25	1.260	1.391	1.610	1.896	2.210	1.427
34/68*	33.00	36.32	41.89	49.15	57.13	37.25	1.299	1.430	1.649	1.935	2.249	1.467
35/70	34.00	37.32	42.89	50.15	58.13	38.25	1.339	1.470	1.689	1.975	2.289	1.506
36/72*	35.00	38.32	43.89	51.15	59.13	39.25	1.378	1.509	1.728	2.014	2.328	1.545
37/74*	36.00	39.32	44.89	52.15	60.13	40.25	1.417	1.548	1.767	2.053	2.367	1.585
38/76*	37.00	40.32	45.89	53.15	61.13	41.25	1.457	1.588	1.807	2.093	2.407	1.624
39/78*	38.00	41.32	46.89	54.15	62.13	42.25	1.496	1.627	1.846	2.132	2.446	1.663
40/80	39.00	42.32	47.89	55.15	63.13	43.25	1.535	1.666	1.885	2.171	2.485	1.703
41/82*	40.00	43.32	48.89	56.15	64.13	44.25	1.575	1.706	1.925	2.211	2.525	1.742
42/84*	41.00	44.32	49.89	57.15	65.13	45.25	1.614	1.745	1.964	2.250	2.564	1.781
43/86*	42.00	45.32	50.89	58.15	66.13	46.25	1.654	1.785	2.004	2.290	2.604	1.821
44/88*	43.00	46.32	51.89	59.15	67.13	47.25	1.693	1.824	2.043	2.329	2.643	1.860
45/90	44.00	47.32	52.89	60.15	68.13	48.25	1.732	1.863	2.082	2.368	2.682	1.900
46/92*	45.00	48.32	53.89	61.15	69.13	49.25	1.772	1.903	2.122	2.408	2.722	1.939
47/94*	46.00	49.32	54.89	62.15	70.13	50.25	1.811	1.942	2.161	2.447	2.761	1.978
48/96*	47.00	50.32	55.89	63.15	71.13	51.25	1.850	1.981	2.200	2.486	2.800	2.018
49/98*	48.00	51.32	56.89	64.15	72.13	52.25	1.890	2.021	2.240	2.526	2.840	2.057
50/100	49.00	52.32	57.89	65.15	73.13	53.25	1.929	2.060	2.279	2.565	2.879	2.096

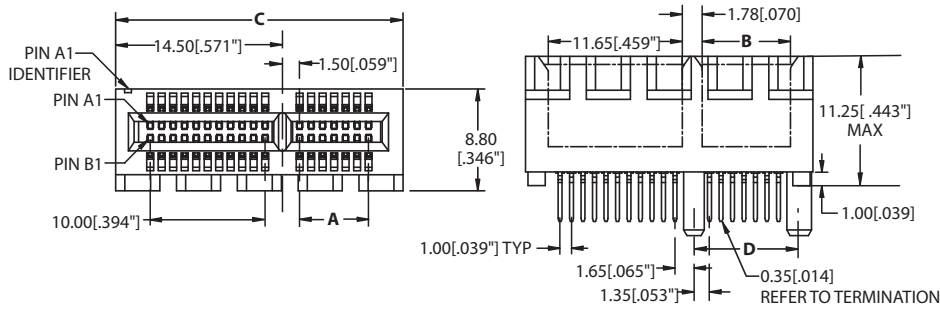
* Consult Factory For Availability



**1.00 mm [.039"] Contact Centers, PCI Express,
Dip Solder**

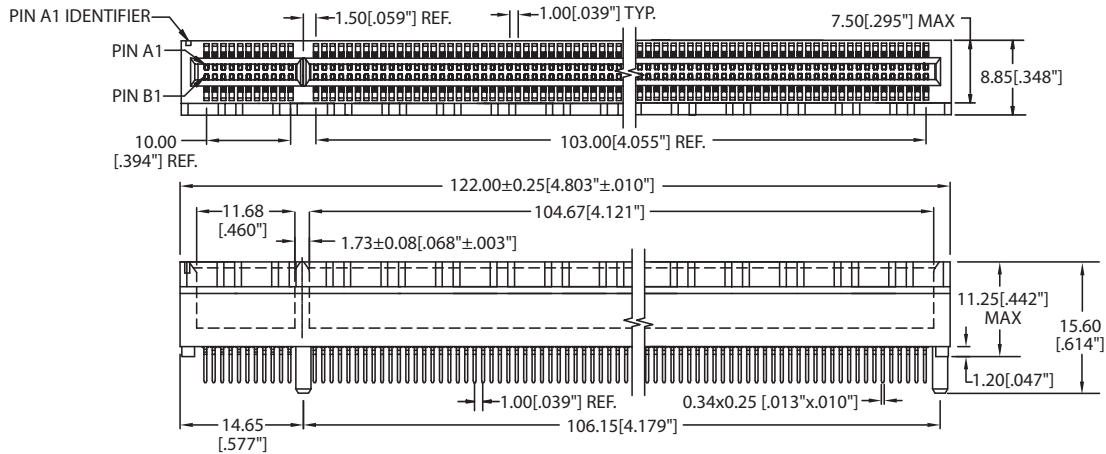
Sullins Edgcards

DIMENSIONS Dimensions in [] are in Inches, all others are in Millimeters

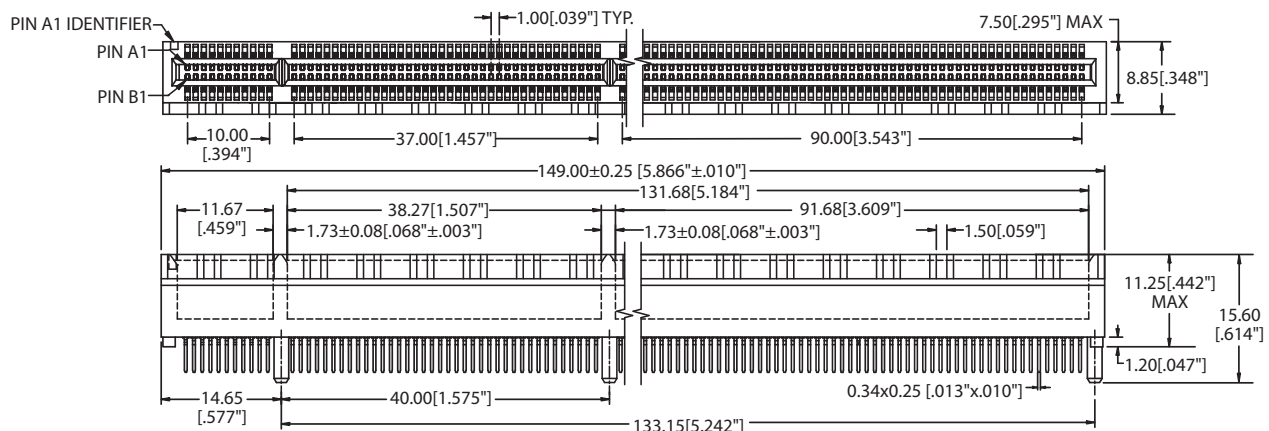


18/36, 32/64, 49/98, 82/164 POSITION, STAGGERED DIP SOLDER (HH)

POSITIONS/ CONTACTS	MILLIMETERS				[INCHES]			
	A ± 0.10	B ± 0.15	C ± 0.23	D ± 0.20	A ± 0.004"	B ± 0.006"	C ± 0.009"	D ± 0.008"
18/36	6.00	7.65	25.00	9.15	0.236	0.301	0.984	0.360
32/64	20.00	21.65	39.00	23.15	0.787	0.852	1.535	0.911
49/98	37.00	38.65	56.00	40.15	1.457	1.522	2.205	1.581
82/164	70.00	71.65	89.00	73.15	2.756	2.821	3.504	2.880



115/230 POSITION, STAGGERED DIP SOLDER (HH)



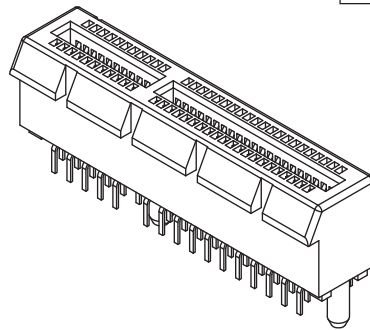
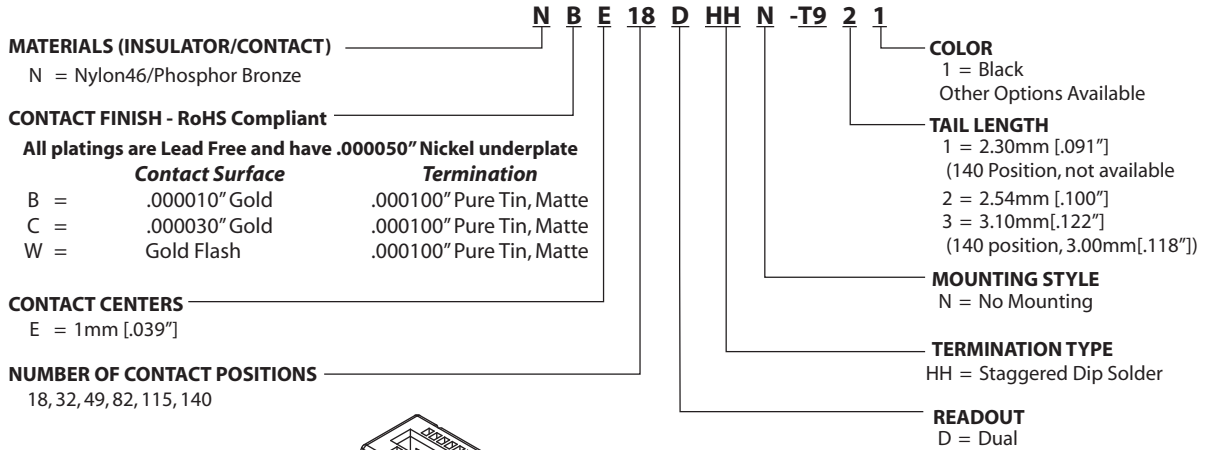
140/280 POSITION, STAGGERED DIP SOLDER (HH)



1.00 mm [.039"] Contact Centers, PCI Express, Dip Solder

Sullins Edgecards

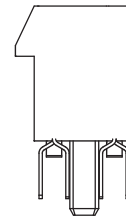
PART NUMBER CODING



SPECIFICATIONS

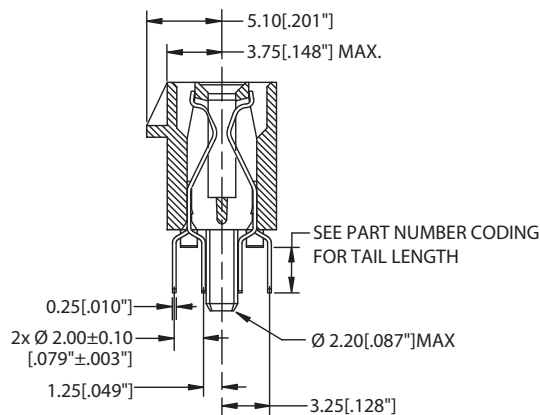
- All PCI Express parts meet the latest PCI Express specifications
- Supports 2.5 Gb/s Data Transfer Rate (per pair data bandwidth)
- Accommodates 1.57mm ± 0.20mm [.062" ± .008"] PC board
- Nylon46 insulator
- 1.1 amp current rating per contact

READOUT



DUAL (D)

TERMINATION TYPE



Staggered Dip Solder (HH)

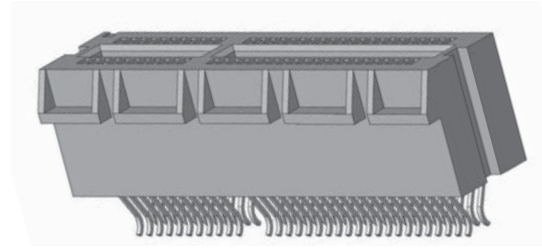
MOUNTING STYLE



No Mounting Ears (N)

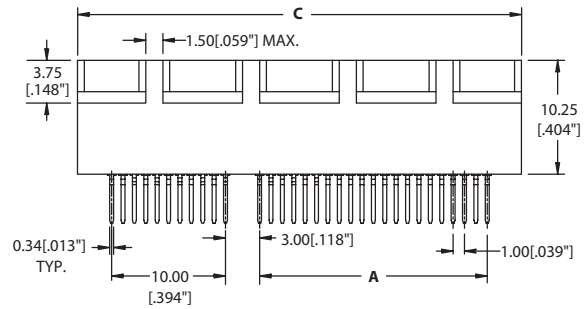
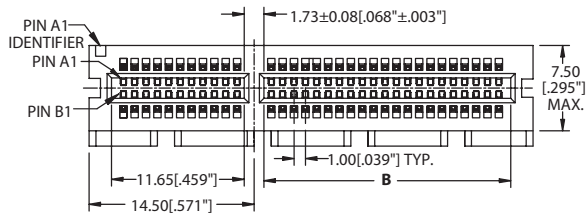


**1.00 mm [.039"] Contact Centers, PCI Express,
Card Extender for Surface Mount**



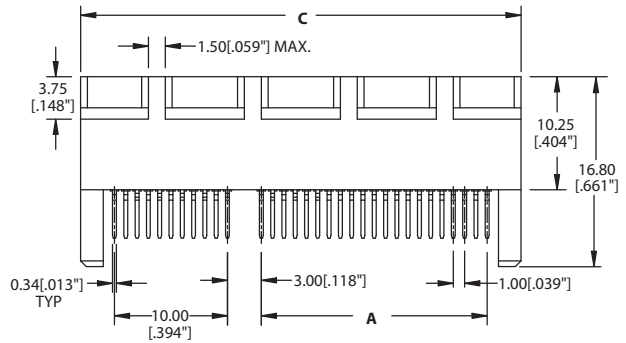
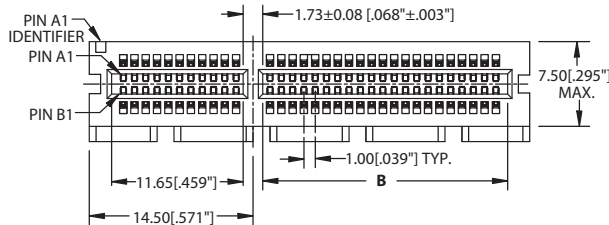
Sullins Edgcards

DIMENSIONS Dimensions in [] are in Inches, all others are in Millimeters



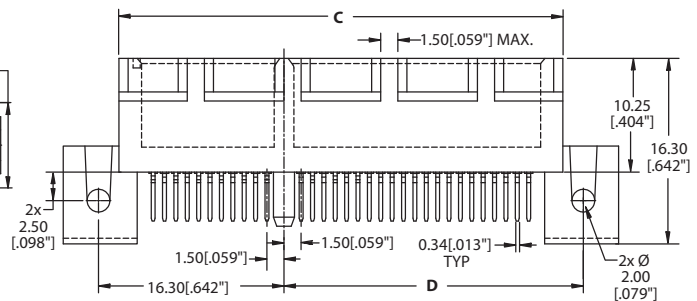
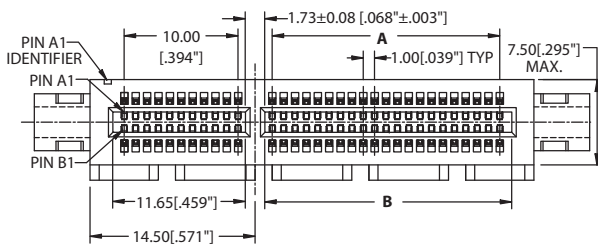
STRADDLE MOUNT

Example Part Number: NBE18DHRN-T941



STRADDLE MOUNT with PEGS

Example Part Number: NBE18DHRN-T9410



STRADDLE MOUNT with CLIPS

Example Part Number: NBE18DHRQ-T941

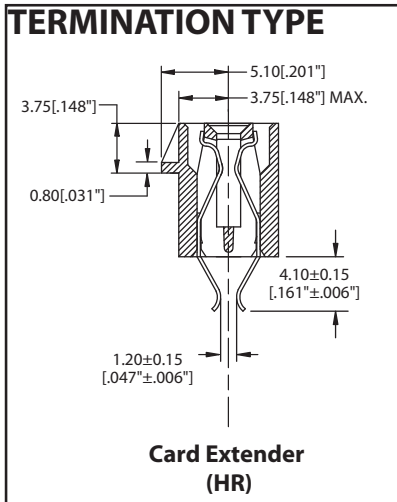
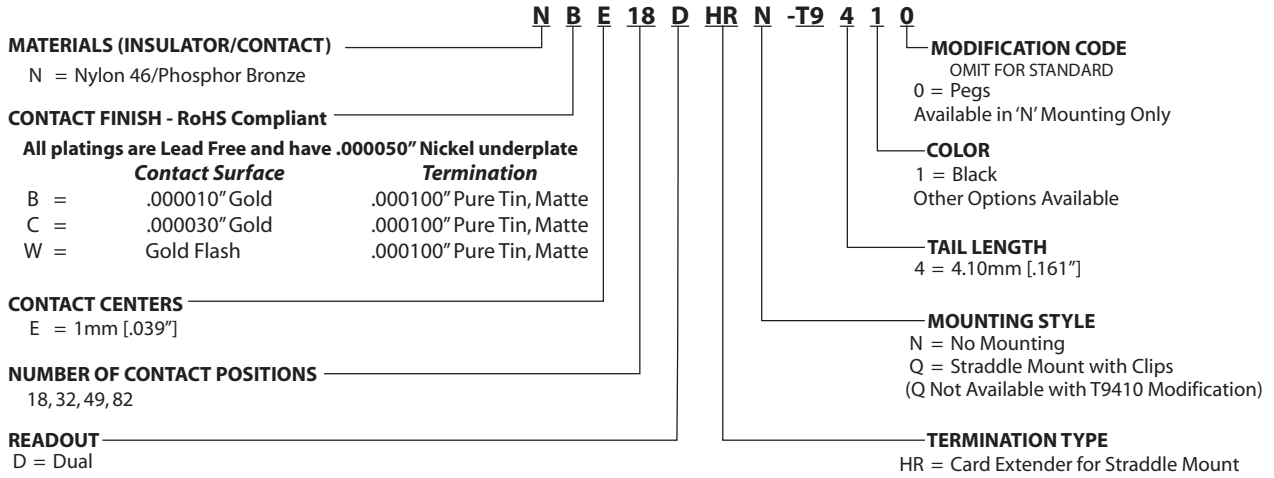
POSITIONS/ CONTACTS	MILLIMETERS				[INCHES]			
	A ± 0.15	B ± 0.15	C ± 0.15	D ± 0.15	A ± 0.006"	B ± 0.006"	C ± 0.006"	D ± 0.006"
18/36	6.00	7.65	25.00	12.30	0.236	0.301	0.984	0.484
32/64	20.00	21.65	39.00	26.30	0.787	0.852	1.535	1.035
49/98	37.00	38.65	56.00	43.30	1.457	1.522	2.205	1.705
82/164	70.00	71.65	89.00	76.30	2.756	2.821	3.504	3.004



1.00 mm [.039"] Contact Centers, PCI Express, Card Extender for Surface Mount

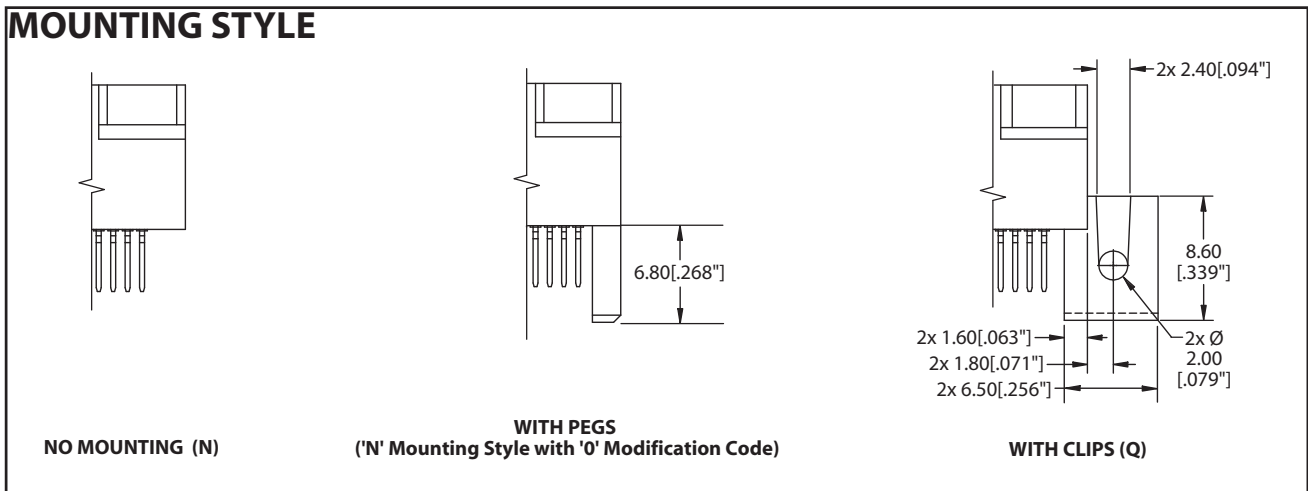
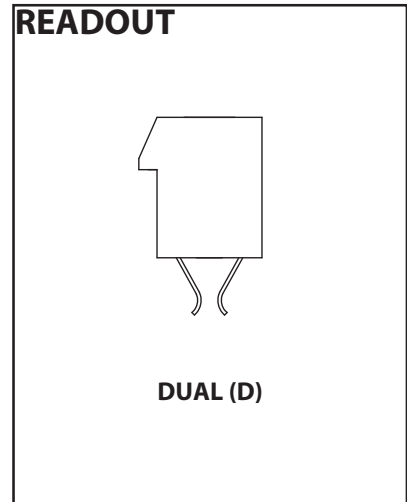
Sullins Edgecards

PART NUMBER CODING



SPECIFICATIONS

- All PCI Express parts meet the latest PCI Express specifications
- Supports 2.5 Gb/s Data Transfer Rate (per pair data bandwidth)
- Accommodates 1.57mm ± 0.20mm [.062" ± .008"] PC board
- Nylon46 insulator
- 1.1 amp current rating per contact

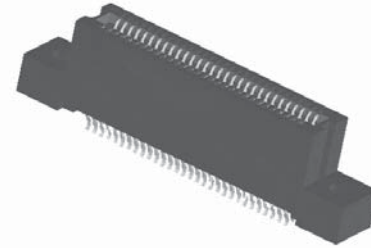




**.050" [1.27 mm] Contact Centers, .610" [15.49 mm] Insulator Height
Dip Solder/Card Extender/SMT**

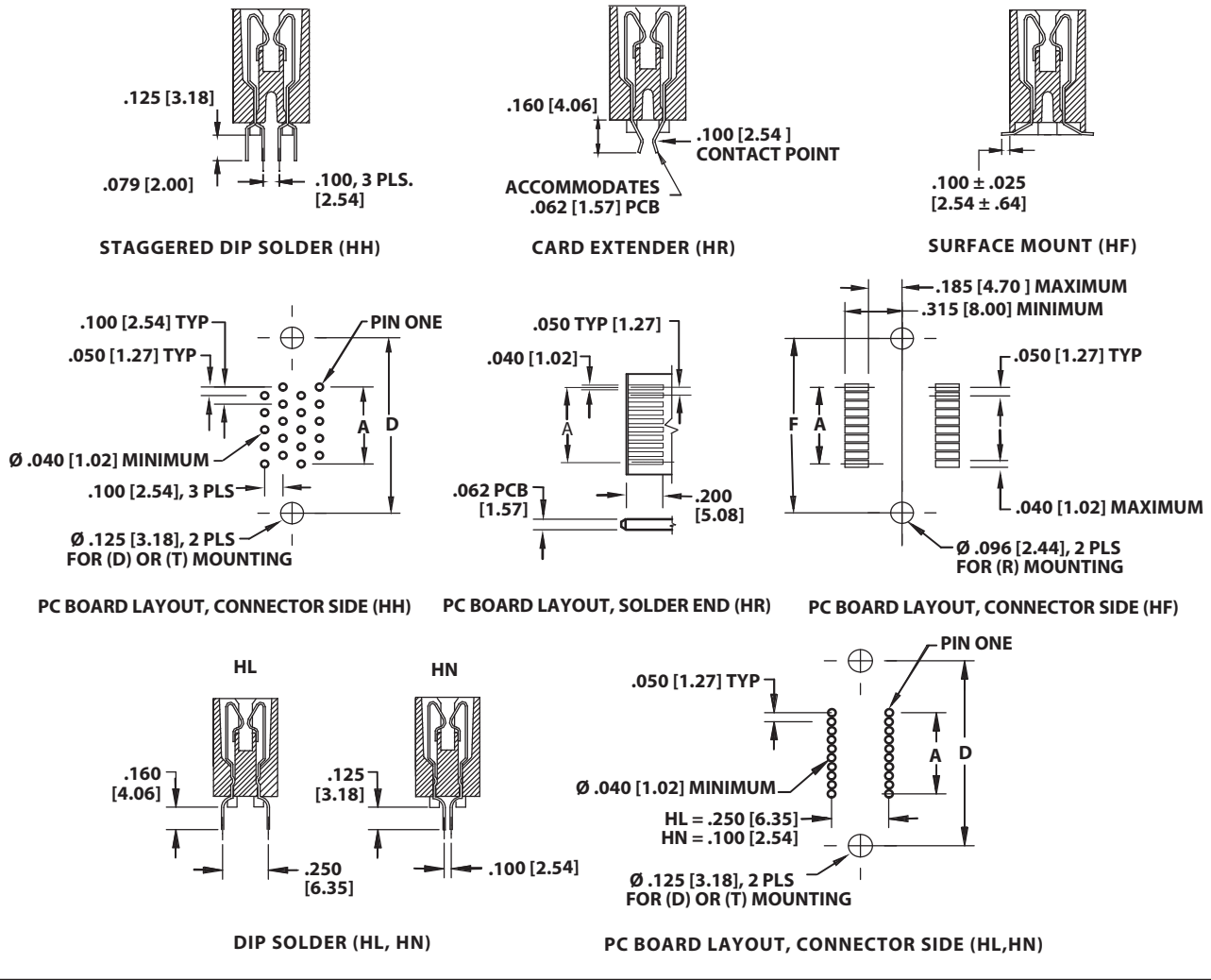
SPECIFICATIONS

- Accommodates .062" ± .008" [1.57 ± .20] PC board
- PPS or PA9T insulator
- Molded-in key available
- High reliability/high cycle hairpin bellows contact
- 1 amp current rating per contact
- 150 grams normal force minimum

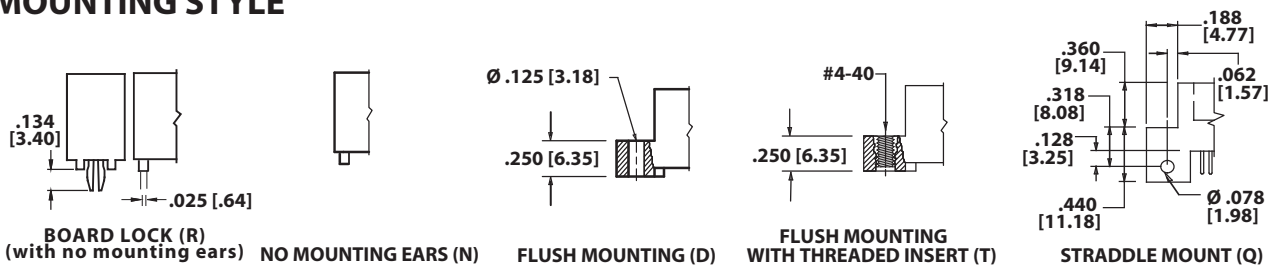


Sullins Edgecards

TERMINATION TYPE



MOUNTING STYLE





**.050" [1.27 mm] Contact Centers, .610" [15.49 mm] Insulator Height
Dip Solder/Card Extender/SMT**

Sullins Edgecards

PART NUMBER CODING

G B B 40 D HH D - Sxxx

MATERIALS (INSULATOR/CONTACT)

- E = PBT/Phosphor Bronze
- H = PBT/Beryllium Copper
- G = PA9T/Phosphor Bronze
- R = PPS/Phosphor Bronze
- J = PA9T/Beryllium Copper
- A = PPS/Beryllium Copper

CONTACT FINISH - RoHS Compliant

All platings are Lead Free and have .000050" Nickel underplate

Contact Surface	Termination
B = .000010" Gold	.000100" Pure Tin, Matte
C = .000030" Gold	.000100" Pure Tin, Matte

CONTACT CENTERS

B = .050 [1.27mm]

NUMBER OF CONTACT POSITIONS

See Chart Below

MODIFICATION CODE (Consult Factory)
OMIT FOR STANDARD

MOUNTING STYLE (Opposite Page)

- D = Flush Mounting
- N = No Mounting
- T = Flush Mounting With Threaded Insert
- Q = Straddle Mount (Card Extender Only)
- R = Metal Boardlocks

TERMINATION TYPE (Opposite Page)

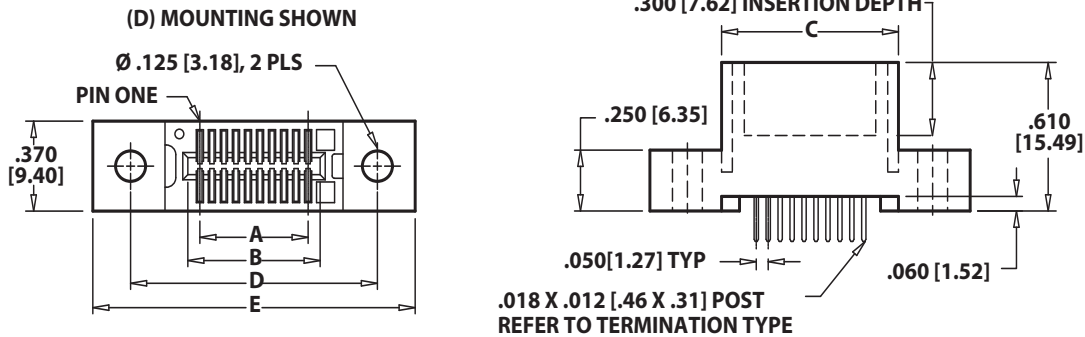
- HH = Staggered Dip Solder
- HR = Card Extender
- HF = Surface Mount
- HL = .250 x .160 [6.35mm x 4.06] Dip Solder
- HN = .100 x .125 [2.54mm x 3.18] Dip Solder (Replaces Terminations CH, CR, CF, CL, CN)

READOUT (Opposite Page)

D = Dual

DIMENSIONS

Dimensions in [] are in millimeters, all others are in inches.



POSITIONS/ CONTACTS	INCHES						[MILLIMETERS]					
	A ±.005	B ±.005	C ±.015	D ±.010	E ±.020	F ±.010	A ±.13	B ±.13	C ±.38	D ±.25	E ±.51	F ±.25
05/10	0.200	0.300	0.490	0.776	1.090	0.350	5.08	7.62	12.45	19.71	27.69	8.89
06/12	0.250	0.350	0.540	0.826	1.140	0.400	6.35	8.89	13.72	20.98	28.96	10.16
09/18	0.400	0.500	0.690	0.976	1.290	0.550	10.16	12.70	17.53	24.79	32.77	13.97
10/20	0.450	0.550	0.740	1.026	1.340	0.600	11.43	13.97	18.80	26.06	34.04	15.24
13/26	0.600	0.700	0.890	1.176	1.490	0.750	15.24	17.78	22.61	29.87	37.85	19.05
14/28*	0.650	0.750	0.940	1.226	1.540	0.800	16.51	19.05	23.88	31.14	39.12	20.32
15/30	0.700	0.800	0.990	1.276	1.590	0.850	17.78	20.32	25.15	32.41	40.39	21.59
20/40	0.950	1.050	1.240	1.526	1.840	1.100	24.13	26.67	31.50	38.76	46.74	27.94
22/44	1.050	1.150	1.340	1.626	1.940	1.200	26.67	29.21	34.04	41.30	49.28	30.48
24/48	1.150	1.250	1.440	1.726	2.040	1.300	29.21	31.75	36.58	43.84	51.82	33.02
25/50	1.200	1.300	1.490	1.776	2.090	1.350	30.48	33.02	37.85	45.11	53.09	34.29
30/60	1.450	1.550	1.740	2.026	2.340	1.600	36.83	39.37	44.20	51.46	59.44	40.64
34/68	1.650	1.750	1.940	2.226	2.540	1.800	41.91	44.45	49.28	56.54	64.52	45.72
35/70	1.700	1.800	1.990	2.276	2.590	1.850	43.18	45.72	50.55	57.81	65.79	46.99
40/80	1.950	2.050	2.240	2.526	2.840	2.100	49.53	52.07	56.90	64.16	72.14	53.34
45/90	2.200	2.300	2.490	2.776	3.090	2.350	55.88	58.42	63.25	70.51	78.49	59.69
50/100	2.450	2.550	2.740	3.026	3.340	2.600	62.23	64.77	69.60	76.86	84.84	66.04
55/110*	2.700	2.800	2.990	3.276	3.590	2.850	68.58	71.12	75.95	83.21	91.19	72.39
60/120	2.950	3.050	3.240	3.526	3.840	3.100	74.93	77.47	82.30	89.56	97.54	78.74
64/128	3.150	3.250	3.440	3.726	4.040	3.300	80.01	82.55	87.38	94.64	102.62	83.82
65/130	3.200	3.300	3.490	3.776	4.090	3.350	81.28	83.82	88.65	95.91	103.89	85.09
66/132	3.250	3.350	3.540	3.826	4.140	3.400	82.55	85.09	89.92	97.18	105.16	86.36
70/140	3.450	3.550	3.740	4.026	4.340	3.600	87.63	90.17	95.00	102.26	110.24	91.44
75/150	3.700	3.800	3.990	4.276	4.590	3.850	93.98	96.52	101.35	108.61	116.59	97.79
80/160	3.950	4.050	4.240	4.526	4.840	4.100	100.33	102.87	107.70	114.96	122.94	104.14
85/170	4.200	4.300	4.490	4.776	5.090	4.350	106.68	109.22	114.05	121.31	129.29	110.49
90/180	4.450	4.550	4.740	5.026	5.340	4.600	113.03	115.57	120.40	127.66	135.64	116.84
95/190	4.700	4.800	4.990	5.276	5.590	4.850	119.38	121.92	126.75	134.01	141.99	123.19
100/200	4.950	5.050	5.240	5.526	5.840	5.100	125.73	128.27	133.10	140.36	148.34	129.54
105/210	5.200	5.300	5.490	5.776	6.090	5.350	132.08	134.62	139.45	146.71	154.69	135.89
108/216	5.350	5.450	5.640	5.926	6.240	5.500	135.89	138.43	143.26	150.52	158.50	139.70
110/220	5.450	5.550	5.740	6.026	6.340	5.600	138.43	140.97	145.80	153.06	161.04	142.24
120/240	5.950	6.050	6.240	'N' Mounting Only	6.100		151.13	153.67	158.50	'N' Mounting Only		154.94

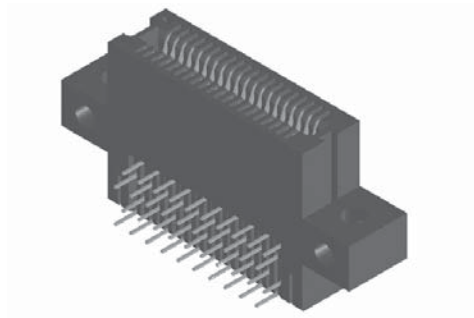
* Consult Factory For Availability



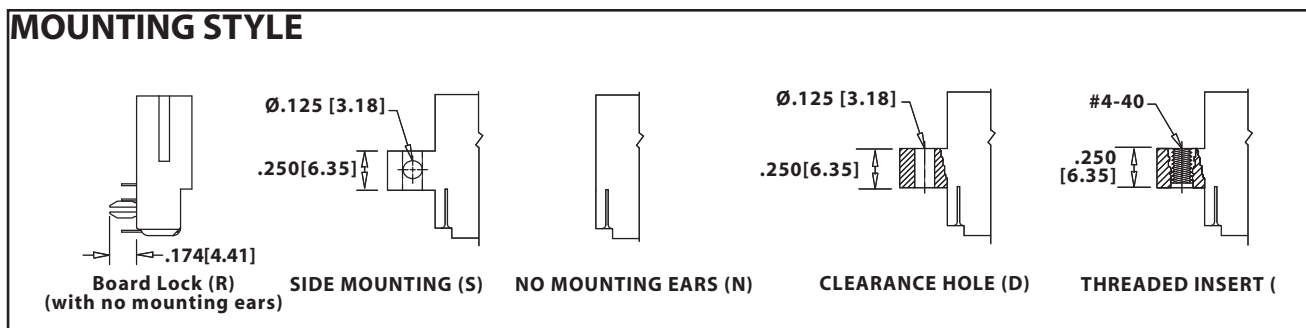
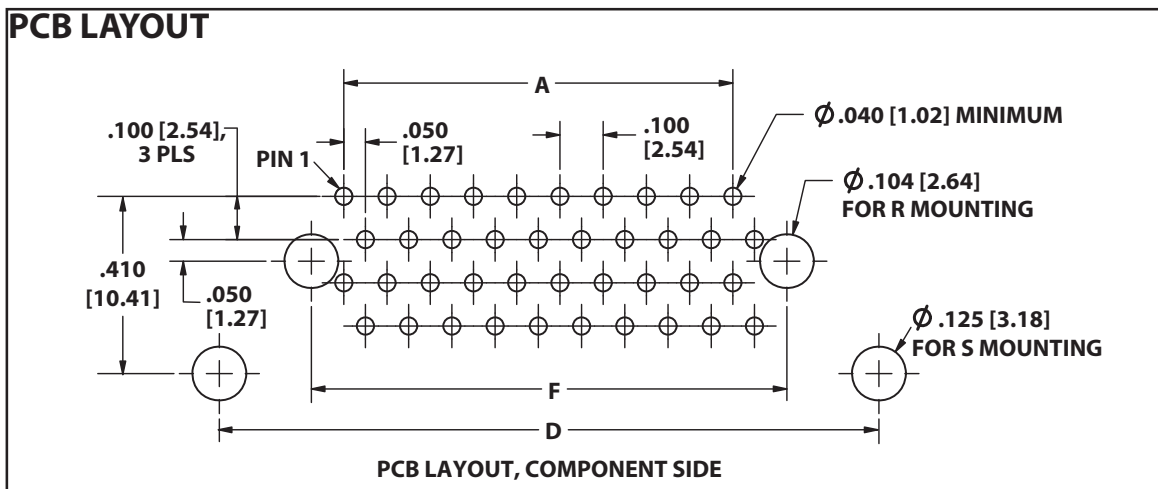
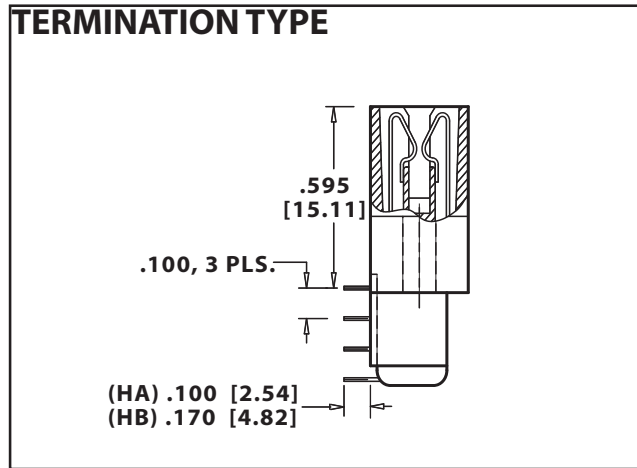
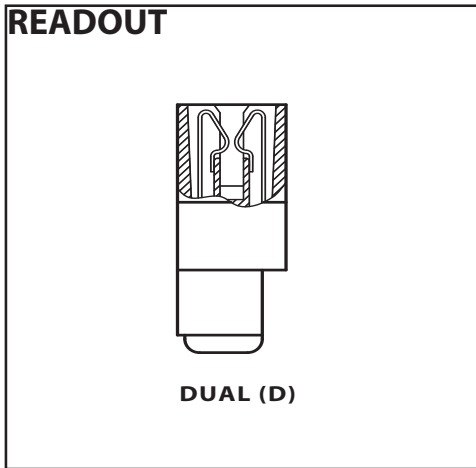
**.050" [1.27 mm] Contact Centers, .915" [23.23 mm] Insulator Height
Right Angle**

SPECIFICATIONS

- Accommodates .062" ± .008" [1.57 ± .20] PC board
- PPS or PA9T insulator
- Molded-in key available
- High reliability/high cycle hairpin bellows contact
- 1 amp current rating per contact
- 150 grams normal force minimum



Sullins Edgecards





.050" [1.27 mm] Contact Centers, .915" [23.23 mm] Insulator Height Right Angle

Sullins Edgecards

PART NUMBER CODING

MATERIALS (INSULATOR/CONTACT)

- E = PBT/Phosphor Bronze
- H = PBT/Beryllium Copper
- G = PA9T/Phosphor Bronze
- R = PPS/Phosphor Bronze
- J = PA9T/Beryllium Copper
- A = PPS/Beryllium Copper

CONTACT FINISH - RoHS Compliant

All platings are Lead Free and have .000050" Nickel underplate

Contact Surface Termination

- B = .000010" Gold .000100" Pure Tin, Matte
- C = .000030" Gold .000100" Pure Tin, Matte

CONTACT CENTERS

- B = .050" [1.27mm]

G B B 10 D HA S - Sxxx

MODIFICATION CODE (Consult Factory)
OMIT FOR STANDARD

MOUNTING STYLE (Opposite Page)

- S = Side Mounting
- D = Flush Mounting
- N = No Mounting
- T = Flush Mounting With Threaded Insert
- R = Metal Board Lock

TERMINATION TYPE (Opposite Page)

- HA = .100" Staggered Dip Solder, Right Angle
- HB = .170" Staggered Dip Solder, Right Angle

READOUT (Opposite Page)

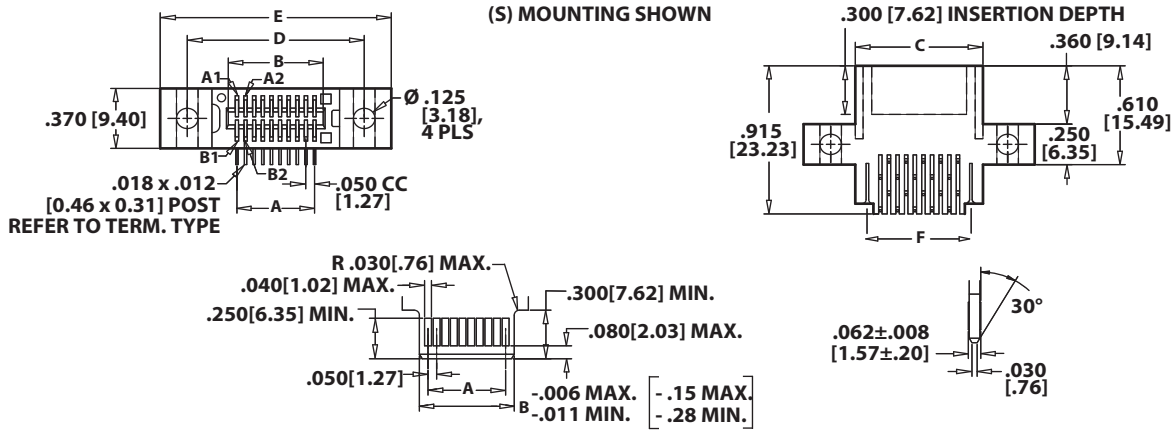
- D = Dual

NUMBER OF CONTACT POSITIONS

See Chart Below

DIMENSIONS

Dimensions in [] are in millimeters, all others are in inches.



CARD LAYOUT

POSITIONS/ CONTACTS	INCHES						[MILLIMETERS]					
	A ±.005	B ±.005	C ±.015	D ±.010	E ±.020	F ±.010	A ±.13	B ±.13	C ±.38	D ±.25	E ±.51	F ±.25
05/10	0.200	0.300	0.490	0.776	1.090	0.350	5.08	7.62	12.45	19.71	27.69	8.89
06/12	0.250	0.350	0.540	0.826	1.140	0.400	6.35	8.89	13.72	20.98	28.96	10.16
09/18	0.400	0.500	0.690	0.976	1.290	0.550	10.16	12.70	17.53	24.79	32.77	13.97
10/20	0.450	0.550	0.740	1.026	1.340	0.600	11.43	13.97	18.80	26.06	34.04	15.24
13/26	0.600	0.700	0.890	1.176	1.490	0.750	15.24	17.78	22.61	29.87	37.85	19.05
14/28	0.650	0.750	0.940	1.226	1.540	0.800	16.51	19.05	23.88	31.14	39.12	20.32
15/30	0.700	0.800	0.990	1.276	1.590	0.850	17.78	20.32	25.15	32.41	40.39	21.59
20/40	0.950	1.050	1.240	1.526	1.840	1.100	24.13	26.67	31.50	38.76	46.74	27.94
22/44	1.050	1.150	1.340	1.626	1.940	1.200	26.67	29.21	34.04	41.30	49.28	30.48
24/48	1.150	1.250	1.440	1.726	2.040	1.300	29.21	31.75	36.58	43.84	51.82	33.02
25/50	1.200	1.300	1.490	1.776	2.090	1.350	30.48	33.02	37.85	45.11	53.09	34.29
30/60	1.450	1.550	1.740	2.026	2.340	1.600	36.83	39.37	44.20	51.46	59.44	40.64
34/68	1.650	1.750	1.940	2.226	2.540	1.800	41.91	44.45	49.28	56.54	64.52	45.72
35/70	1.700	1.800	1.990	2.276	2.590	1.850	43.18	45.72	50.55	57.81	65.79	46.99
40/80	1.950	2.050	2.240	2.526	2.840	2.100	49.53	52.07	56.90	64.16	72.14	53.34
45/90	2.200	2.300	2.490	2.776	3.090	2.350	55.88	58.42	63.25	70.51	78.49	59.69
50/100	2.450	2.550	2.740	3.026	3.340	2.600	62.23	64.77	69.60	76.86	84.84	66.04
55/110	2.700	2.800	2.990	3.276	3.590	2.850	68.58	71.12	75.95	83.21	91.19	72.39
60/120	2.950	3.050	3.240	3.526	3.840	3.100	74.93	77.47	82.30	89.56	97.54	78.74
64/128	3.150	3.250	3.440	3.726	4.040	3.300	80.01	82.55	87.38	94.64	102.62	83.82
65/130	3.200	3.300	3.490	3.776	4.090	3.350	81.28	83.82	88.65	95.91	103.89	85.09
66/132	3.250	3.350	3.540	3.826	4.140	3.400	82.55	85.09	89.92	97.18	105.16	86.36
70/140	3.450	3.550	3.740	4.026	4.340	3.600	87.63	90.17	95.00	102.26	110.24	91.44
75/150	3.700	3.800	3.990	4.276	4.590	3.850	93.98	96.52	101.35	108.61	116.59	97.79
80/160	3.950	4.050	4.240	4.526	4.840	4.100	100.33	102.87	107.70	114.96	122.94	104.14
85/170	4.200	4.300	4.490	4.776	5.090	4.350	106.68	109.22	114.05	121.31	129.29	110.49
90/180	4.450	4.550	4.740	5.026	5.340	4.600	113.03	115.57	120.40	127.66	135.64	116.84
95/190	4.700	4.800	4.990	5.276	5.590	4.850	119.38	121.92	126.75	134.01	141.99	123.19
100/200	4.950	5.050	5.240	5.526	5.840	5.100	125.73	128.27	133.10	140.36	148.34	129.54
105/210	5.200	5.300	5.490	5.776	6.090	5.350	132.08	134.62	139.45	146.71	154.69	135.89
108/216	5.350	5.450	5.640	5.926	6.240	5.500	135.89	138.43	143.26	150.52	158.50	139.70
110/220	5.450	5.550	5.740	6.026	6.340	5.600	138.43	140.97	145.80	153.06	161.04	142.24
120/240	5.950	6.050	6.240	'N' Mounting Only	6.100	6.100	151.13	153.67	158.50	'N' Mounting Only	154.94	154.94

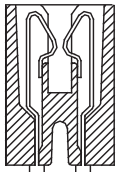


SPECIFICATIONS

- Accommodates .062" ± .008" [1.57 ± .20] PC board (Consult factory for other board thicknesses)
- PPS or PA9T insulator
- Molded-in key available
- High reliability/high cycle hairpin bellows contact
- 1 amp current rating per contact
- 150 grams normal force minimum



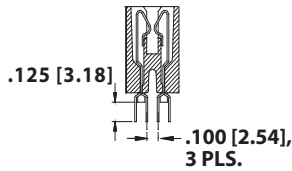
READOUT



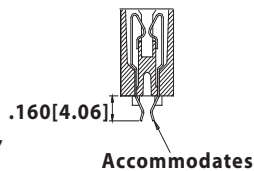
DUAL (D)

TERMINATION TYPE

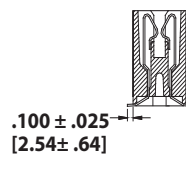
Consult Factory for PC Board Layouts



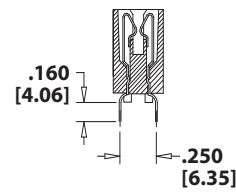
STAGGERED DIP SOLDER (HH)



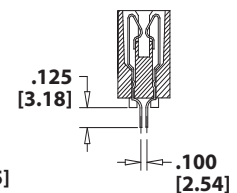
Accommodates
.062 PCB
CARD EXTENDER (HR)



SURFACE MOUNT (HF)

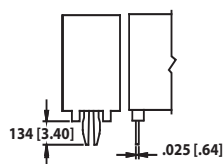


DIP SOLDER (HL)



DIP SOLDER (HN)

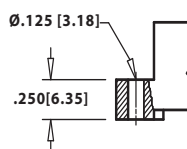
MOUNTING STYLE



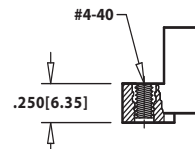
BOARD LOCK (R)
(with no mounting ears)



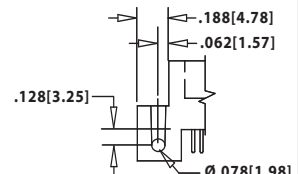
NO MOUNTING EARS (N)



FLUSH MOUNTING (D)



FLUSH MOUNTING
WITH THREADED INSERT (T)



STRADDLE MOUNT (Q)



**.050" [1.27 mm] Contact Centers, .610" [15.49 mm] Insulator Height
[MCA] Dip Solder/Card Extender/SMT**

Industry Standard Part

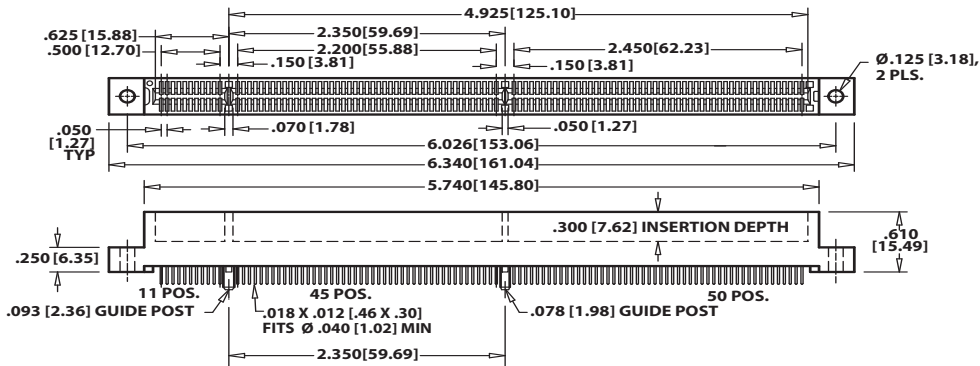
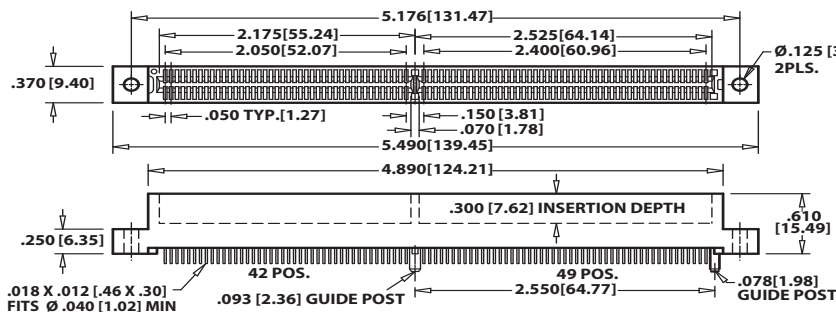
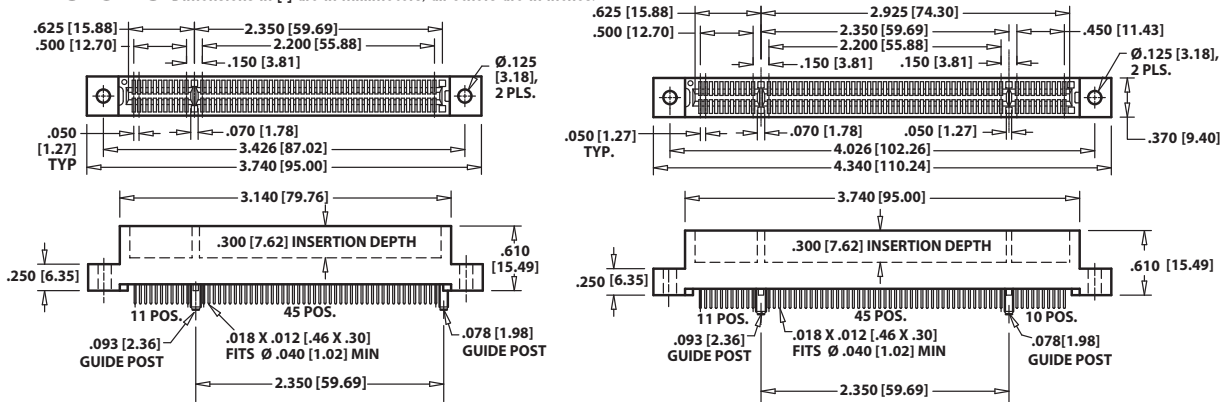
Sullins Edgecards

PART NUMBER CODING

<p>MATERIALS (Insulator/Contact)</p> <p>E = PBT/Phosphor Bronze H = PBT/Beryllium Copper G = PA9T/Phosphor Bronze R = PPS/Phosphor Bronze J = PA9T/Beryllium Copper A = PPS/Beryllium Copper</p> <p>CONTACT FINISH - RoHS Compliant</p> <p>All platings are Lead Free and have .000050" Nickel underplate</p> <table border="0"> <tr> <td>Contact Surface</td> <td>Termination</td> </tr> <tr> <td>B = .000010" Gold</td> <td>.000100" Pure Tin, Matte</td> </tr> <tr> <td>C = .000030" Gold</td> <td>.000100" Pure Tin, Matte</td> </tr> </table> <p>CONTACT CENTERS</p> <p>B = .050" [1.27mm]</p> <p>NUMBER OF CONTACT POSITIONS</p> <p>56, 66, 91, 106</p>	Contact Surface	Termination	B = .000010" Gold	.000100" Pure Tin, Matte	C = .000030" Gold	.000100" Pure Tin, Matte	<p>G B B 56 D HH D - S578</p> <p>MODIFICATION (Consult Factory)</p> <p>-S578 = Card Slot Barriers With Guide Posts -S621 = Card Slot Barriers Without Guide Posts</p> <p>MOUNTING STYLE</p> <p>N = No Mounting D = Flush Mounting T = Flush Mounting With Threaded Insert Q = Straddle Mount (Card Extender Only) R = Metal Board Lock</p> <p>TERMINATION TYPE</p> <p>HH = Staggered Dip Solder HR = Card Extender HF = Surface Mount HL = .250" [6.35mm] x .160" [4.06mm] Dip Solder HN = .100" [2.54mm] x .125" [3.18mm] Dip Solder <i>(REPLACES TERMINATIONS: CH, CR, CF, CL, CN)</i></p> <p>READOUT</p> <p>D = Dual</p>
Contact Surface	Termination						
B = .000010" Gold	.000100" Pure Tin, Matte						
C = .000030" Gold	.000100" Pure Tin, Matte						

DIMENSIONS

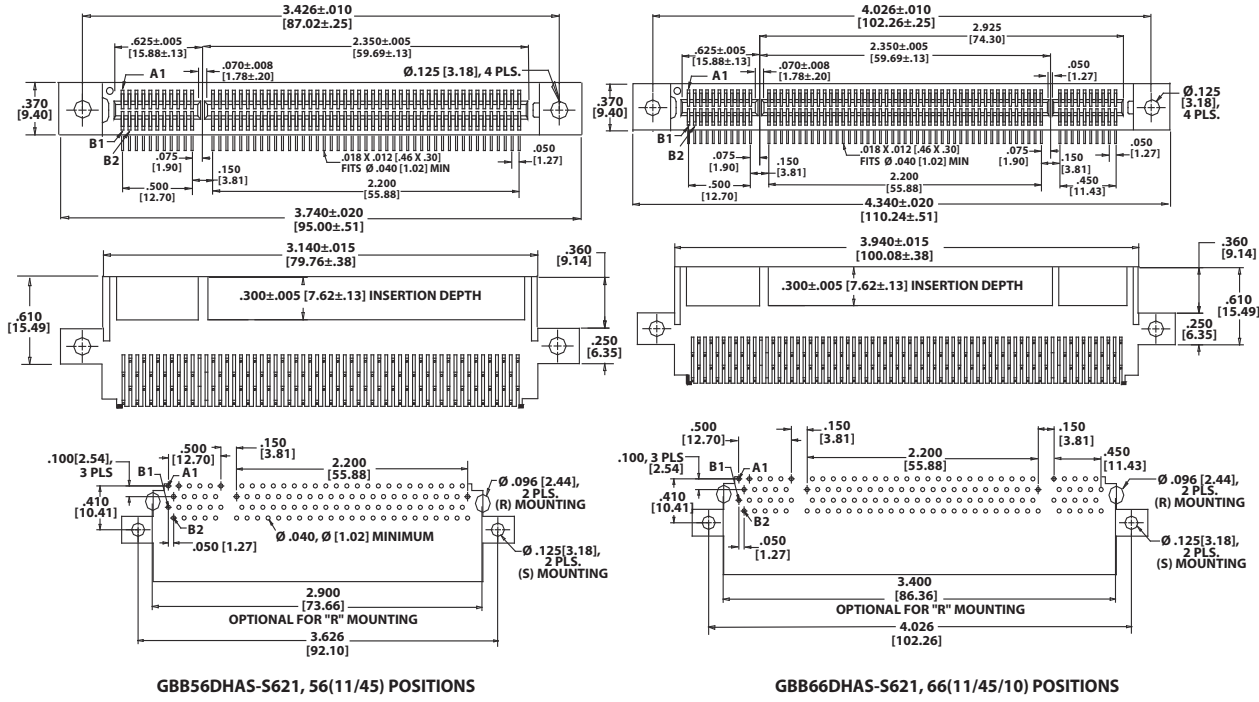
Dimensions in [] are in millimeters, all others are in inches.



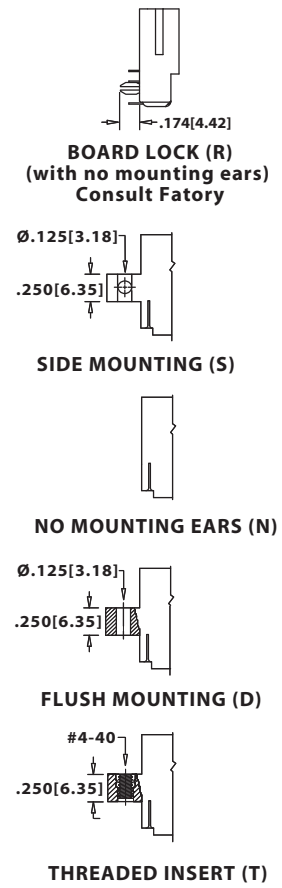


DIMENSIONS

Dimensions in [] are in millimeters, all others are in inches.

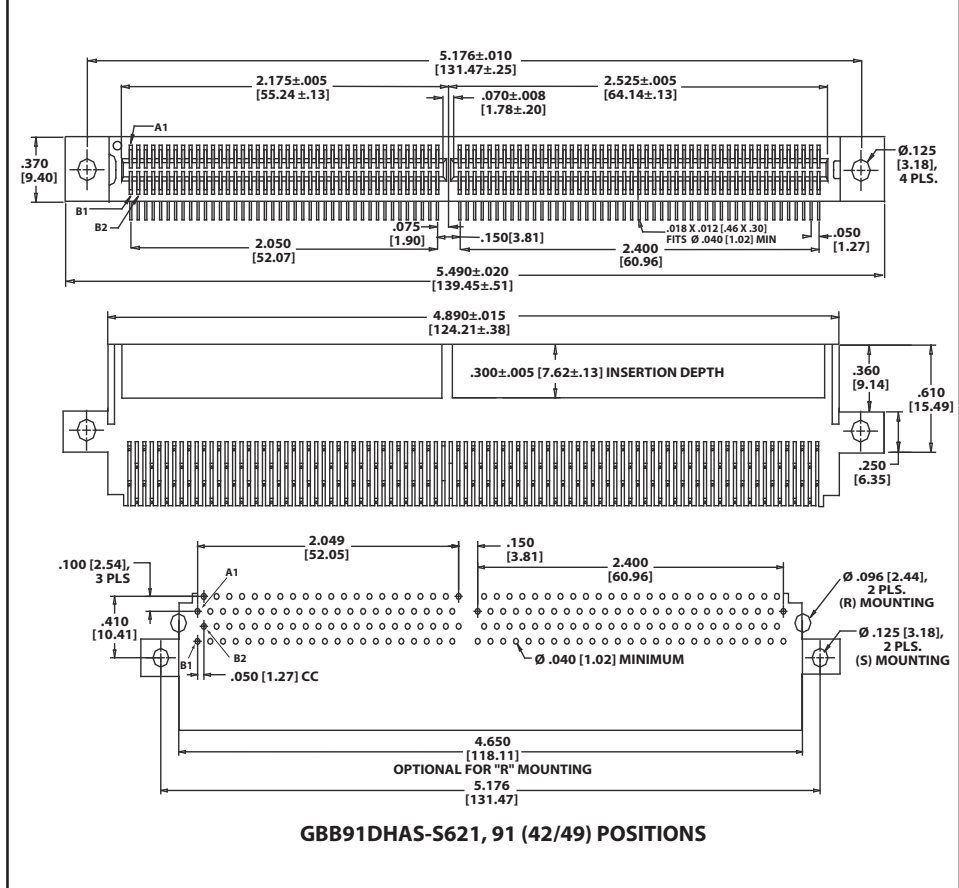


MOUNTING STYLE



DIMENSIONS

Dimensions in [] are in millimeters, all others are in inches.





.050" [1.27 mm] Contact Centers, .915" [23.23 mm] Insulator Height [MCA] Right Angle

Industry Standard Part

Sullins Edgecards

PART NUMBER CODING

G B B 56 D HA D - S621

MATERIALS (Insulator/Contact)
 E = PBT/Phosphor Bronze
 H = PBT/Beryllium Copper
 G = PA9T/Phosphor Bronze
 R = PPS/Phosphor Bronze
 J = PA9T/Beryllium Copper
 A = PPS/Beryllium Copper

CONTACT FINISH - RoHS Compliant
 All platings are Lead Free and have .000050" Nickel underplate

Contact Surface	Termination
B = .000010" Gold	.000100" Pure Tin, Matte
C = .000030" Gold	.000100" Pure Tin, Matte

CONTACT CENTERS
 B = .050" [1.27mm]

MODIFICATION (CONSULT FACTORY)
 -S621 = Card Slot Barriers Without Guide Posts

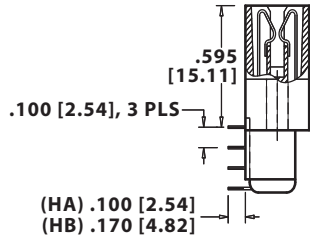
MOUNTING STYLE (Opposite Page)
 S = Side Mounting
 D = Flush Mounting
 N = No Mounting
 T = Flush Mounting With Threaded Insert
 R = Metal Board Lock

TERMINATION TYPE
 HA = .100" [2.54] Staggered Dip Solder, Right Angle
 HB = .170" [4.32] Staggered Dip Solder, Right Angle

READOUT
 D = Dual

NUMBER OF CONTACT POSITIONS
 56 = 11/45
 66 = 11/45/10
 91 = 42/49
 106 = 11/45/50

TERMINATION TYPE

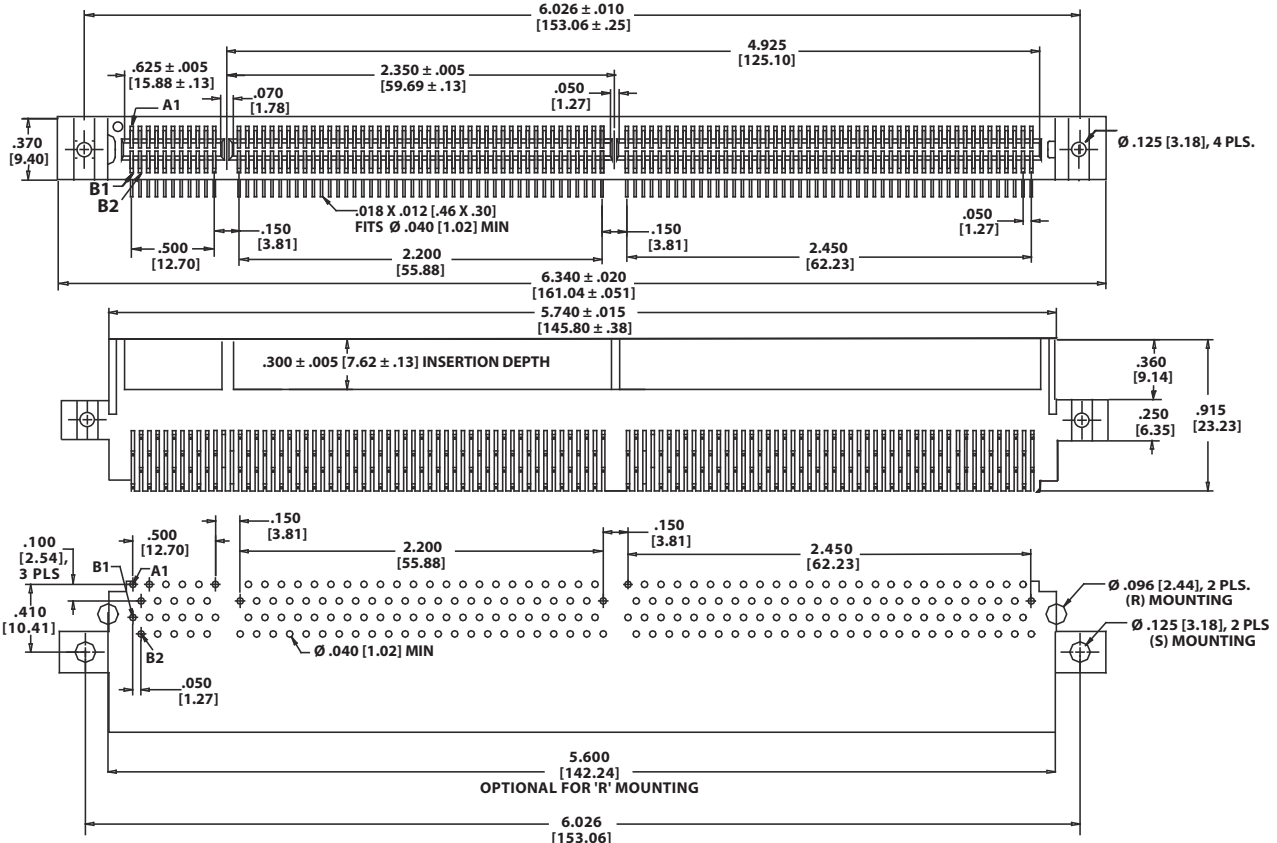


SPECIFICATIONS

- Accommodates .062" ± .008" [1.57 ± .20] PC board
- PPS or PA9T insulator
- Molded-in key available
- High reliability/high cycle hairpin bellows contact
- 1 amp current rating per contact
- 150 grams normal force minimum

DIMENSIONS

Dimensions in [] are in millimeters, all others are in inches.



**BOARD LAYOUT, CONNECTOR SIDE
 GBB106DHAS-S621, 64 BIT, 5 VOLT**



SPECIFICATIONS

- Accommodates .062" ± .008" [1.57 ± .20] PC board
- PPS or PA9T insulator
- Molded-in key available
- High reliability/high cycle hairpin bellows contact
- 1 amp current rating per contact
- 150 grams normal force minimum

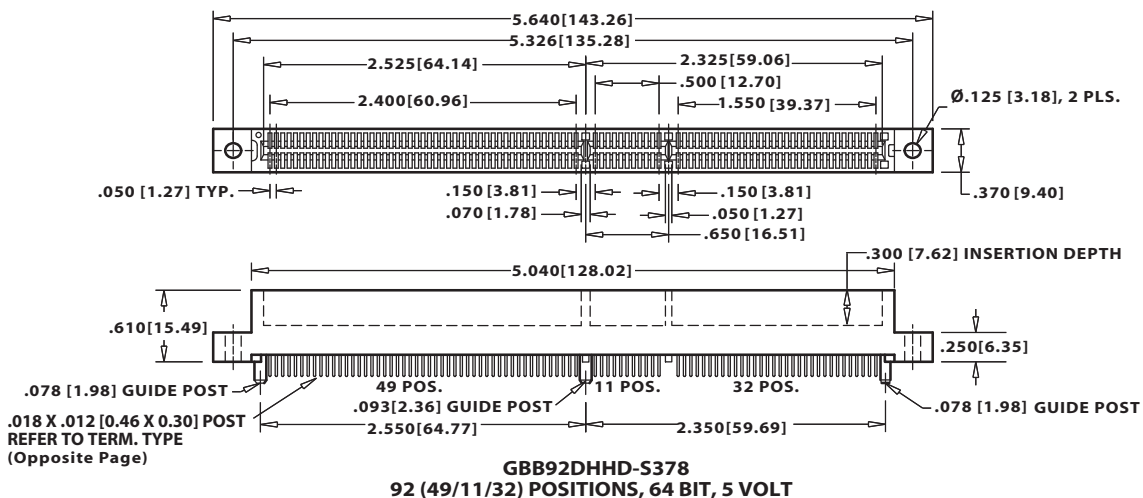
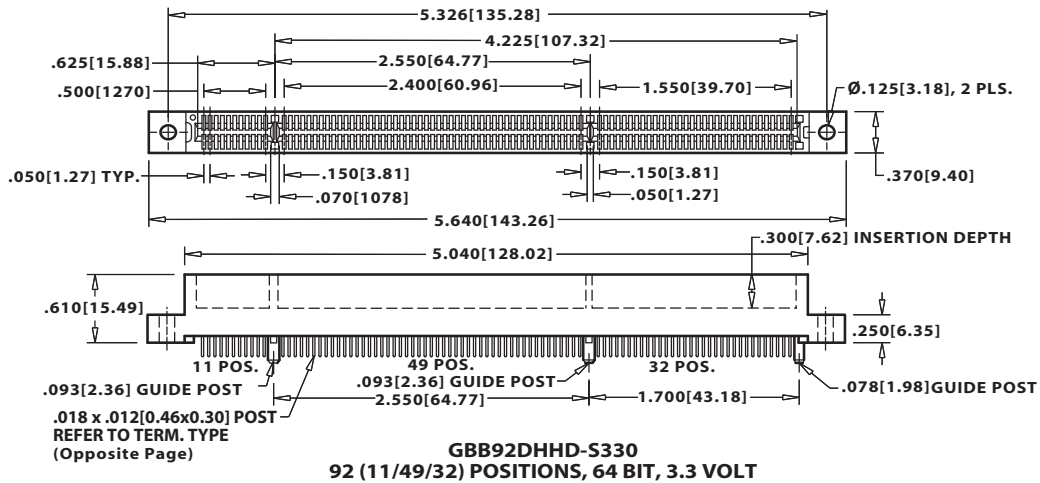
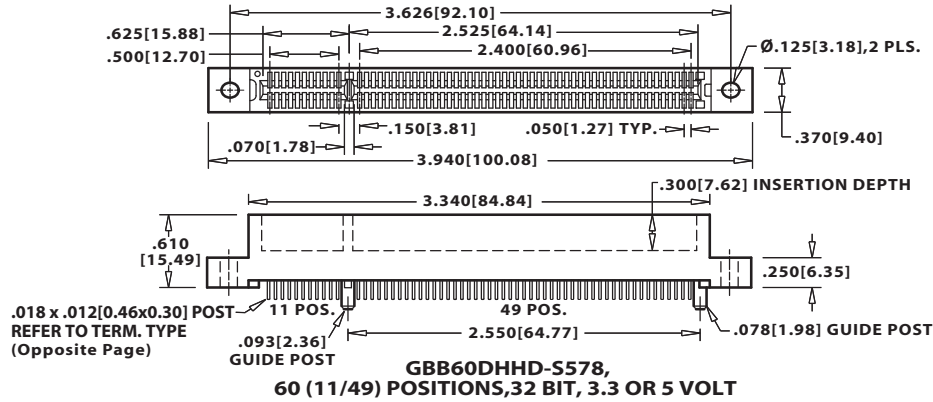
READOUT



DUAL (D)

DIMENSIONS

Dimensions in [] are in millimeters, all others are in inches.





**.050" [1.27mm] Contact Centers, .610" [15.49 mm] Insulator Height
[PCI] Dip Solder/Card Extender/SMT**

Industry Standard Part

Sullins Edgecards

PART NUMBER CODING

G B B 60 D HH D - S578

MATERIALS (Insulator/Contact)

- E = PBT/Phosphor Bronze
- H = PBT/Beryllium Copper
- G = PA9T/Phosphor Bronze
- R = PPS/Phosphor Bronze
- J = PA9T/Beryllium Copper
- A = PPS/Beryllium Copper

CONTACT FINISH - RoHS Compliant
All platings are Lead Free and have .000050" Nickel underplate

Contact Surface	Termination
B = .000010" Gold	.000100" Pure Tin, Matte
C = .000030" Gold	.000100" Pure Tin, Matte

CONTACT CENTERS
B = .050" [1.27mm]

NUMBER OF CONTACT POSITIONS

- 60 = 11/49 (32 Bit, 3.3 or 5 Volt)
- 92 = 11/49/32 (64 Bit, 3.3 Volt)
- or 92 = 49/11/32 (64 Bit, 5 Volt)

READOUT
D = Dual

MODIFICATION (CONSULT FACTORY)

PCI WITH GUIDE POSTS

- *-S578 = 60 (11/49) Positions(32 Bit, 3.3 or 5 Volt)
- S330 = 92 (11/49/32) Positions(64 Bit, 3.3 Volt)
- S378 = 92 (49/11/32) Positions(64 Bit, 5 Volt)

PCI WITHOUT GUIDE POSTS

- *-S621 = 60 (11/49) Positions(32 Bit, 3.3 or 5 Volt)
- S329 = 92 (11/49/32) Positions(64 Bit, 3.3 Volt)
- S250 = 92 (49/11/32) Positions(64 Bit, 5 Volt)

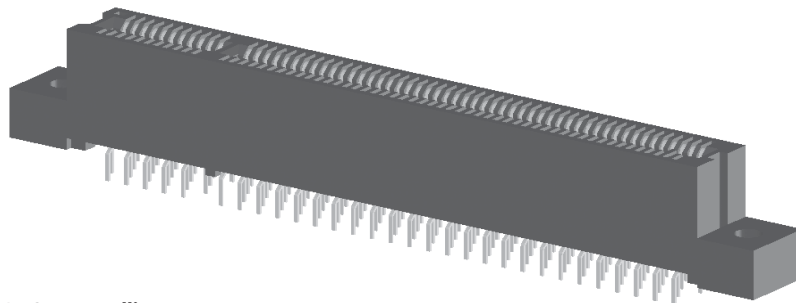
* Turn connector or board 180° to switch from 3.3 to 5 volt

MOUNTING STYLE

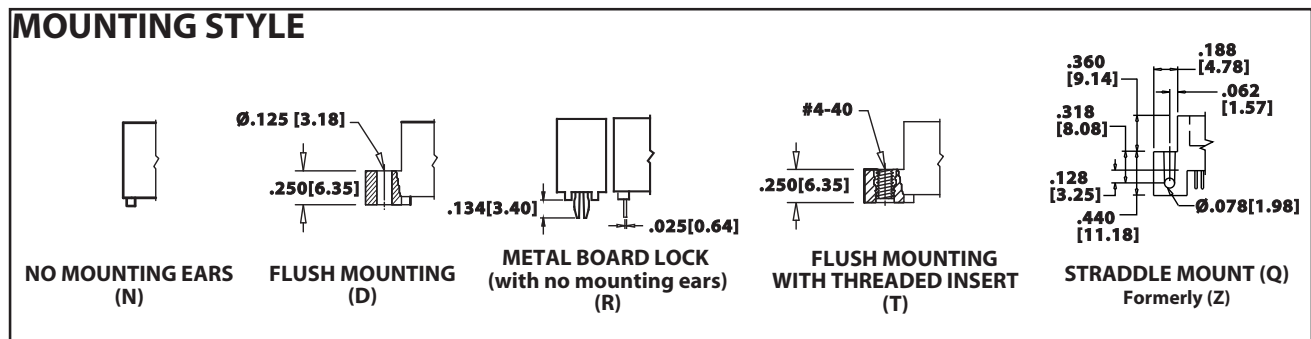
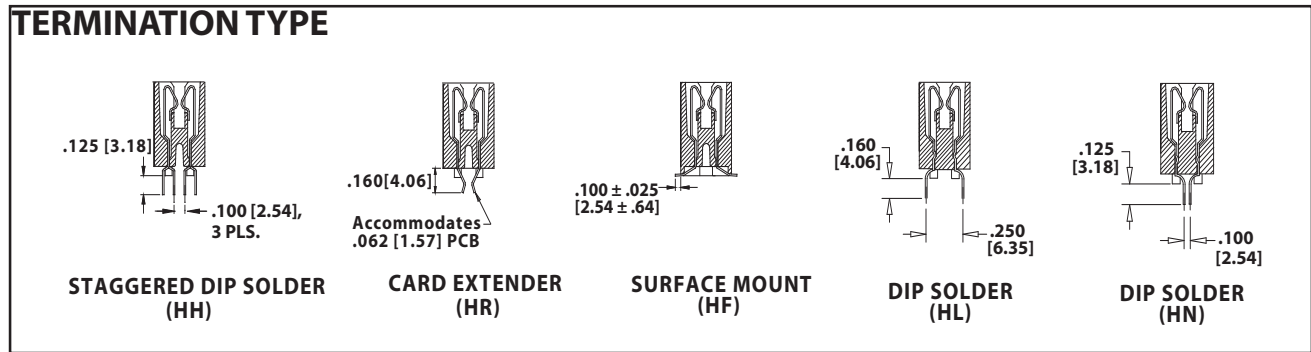
- D = Flush Mounting
- N = No Mounting
- T = Flush Mounting With Threaded Insert
- Q = Straddle Mount (Card Extender Only)
- R = Metal Boardlocks

TERMINATION TYPE

- HH = Staggered Dip Solder
- HR = Card Extender
- HF = Surface Mount
- HL = .250" [6.35mm] x .160" [4.06mm] Dip Solder
- HN = .100" [2.54mm] x .125" [3.18mm] Dip Solder
(REPLACES TERMINATIONS: CH, CR, CF, CL, CN)



FOR PC BOARD LAYOUTS REFER TO www.sullinscorp.com



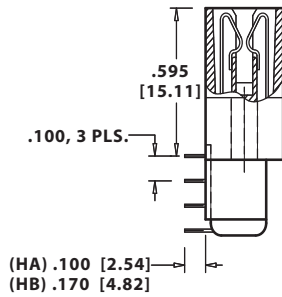


SPECIFICATIONS

- Accommodates .062" ± .008" [1.57 ± .20] PC board
- PPS or PA9T insulator
- Molded-in key available
- High reliability/high cycle hairpin bellows contact
- 1 amp current rating per contact
- 150 grams normal force minimum

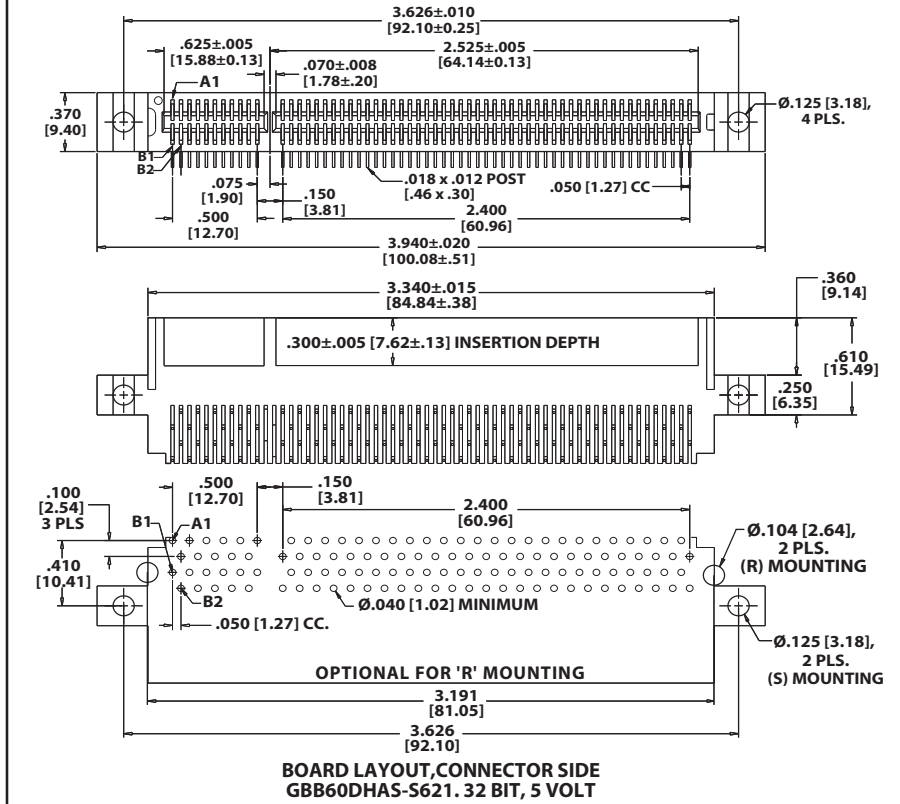
Sullins Edgcards

TERMINATION TYPE



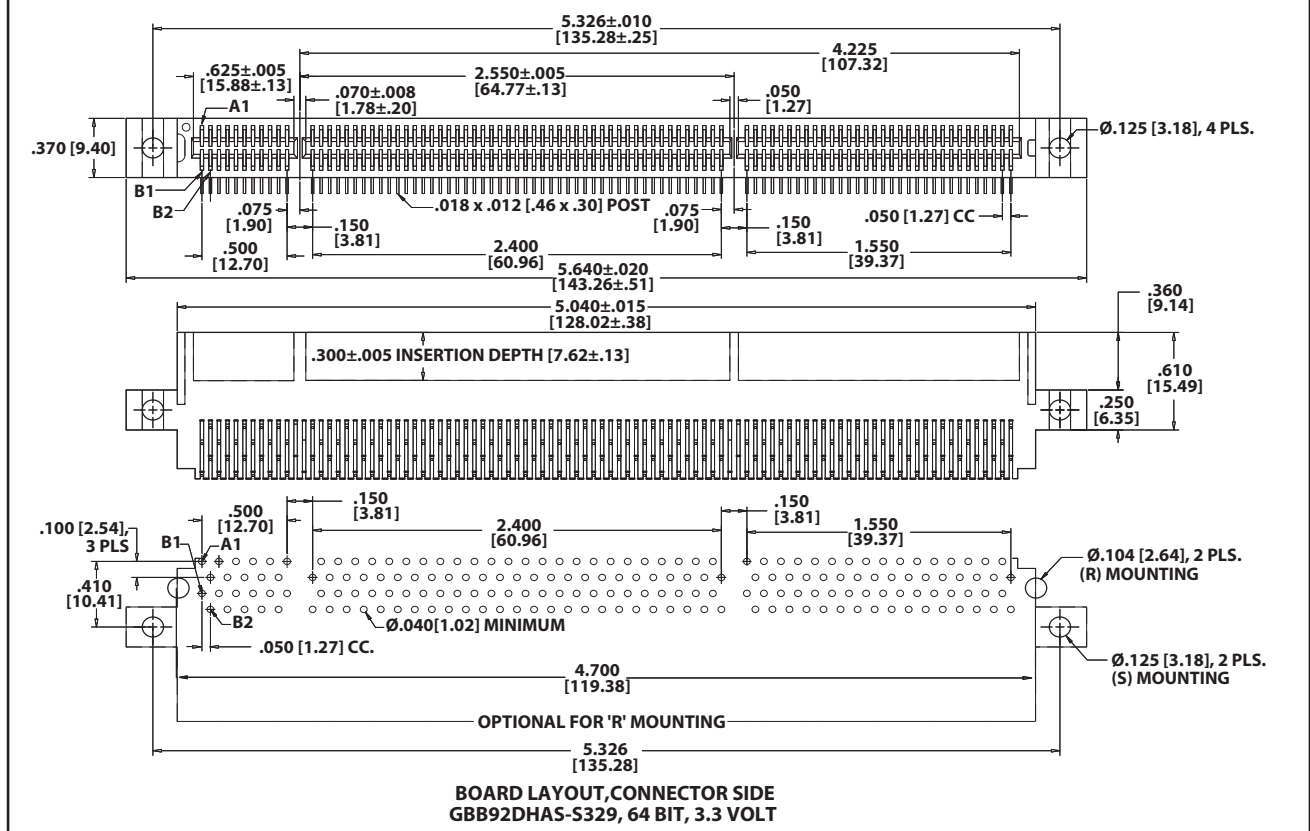
DIMENSIONS

Dimensions in [] are in millimeters, all others are in inches.



DIMENSIONS

Dimensions in [] are in millimeters, all others are in inches.





**.050" [1.27 mm] Contact Centers, .915" [23.23 mm] Insulator Height
[PCI] Right Angle**

Industry Standard Part

Sullins Edgecards

PART NUMBER CODING

G B B 60 D HA D - S793

MATERIALS (Insulator/Contact)

- E = PBT/Phosphor Bronze
- H = PBT/Beryllium Copper
- G = PA9T/Phosphor Bronze
- R = PPS/Phosphor Bronze
- J = PA9T/Beryllium Copper
- A = PPS/Beryllium Copper

CONTACT FINISH - RoHS Compliant

All platings are Lead Free and have .000050" Nickel underplate

	Contact Surface	Termination
B =	.000010" Gold	.000100" Pure Tin, Matte
C =	.000030" Gold	.000100" Pure Tin, Matte

CONTACT CENTERS

- B = .050" [1.27mm]

NUMBER OF CONTACT POSITIONS

- 60 = 11/49 (32 Bit, 3.3 or 5 Volt)
- 92 = 11/49/32 (64 Bit, 3.3 Volt)
- or 92 = 49/11/32 (64 Bit, 5 Volt)

MODIFICATION (CONSULT FACTORY)

- S793 = 60(49/11) Reverse Bend (32 Bit, 3.3 Volt)
- S621 = 60(11/49) Positions (32 Bit, 5 Volt)
- S329 = 92(11/49/32) Positions (64 Bit, 3.3 Volt)
- S250 = 92(49/11/32) Positions (64 Bit, 5 Volt)

MOUNTING STYLE

- S = Side Mounting
- D = Flush Mounting
- N = No Mounting
- T = Flush Mounting With Threaded Insert
- R = Metal Board Lock

TERMINATION TYPE (Opposite Page)

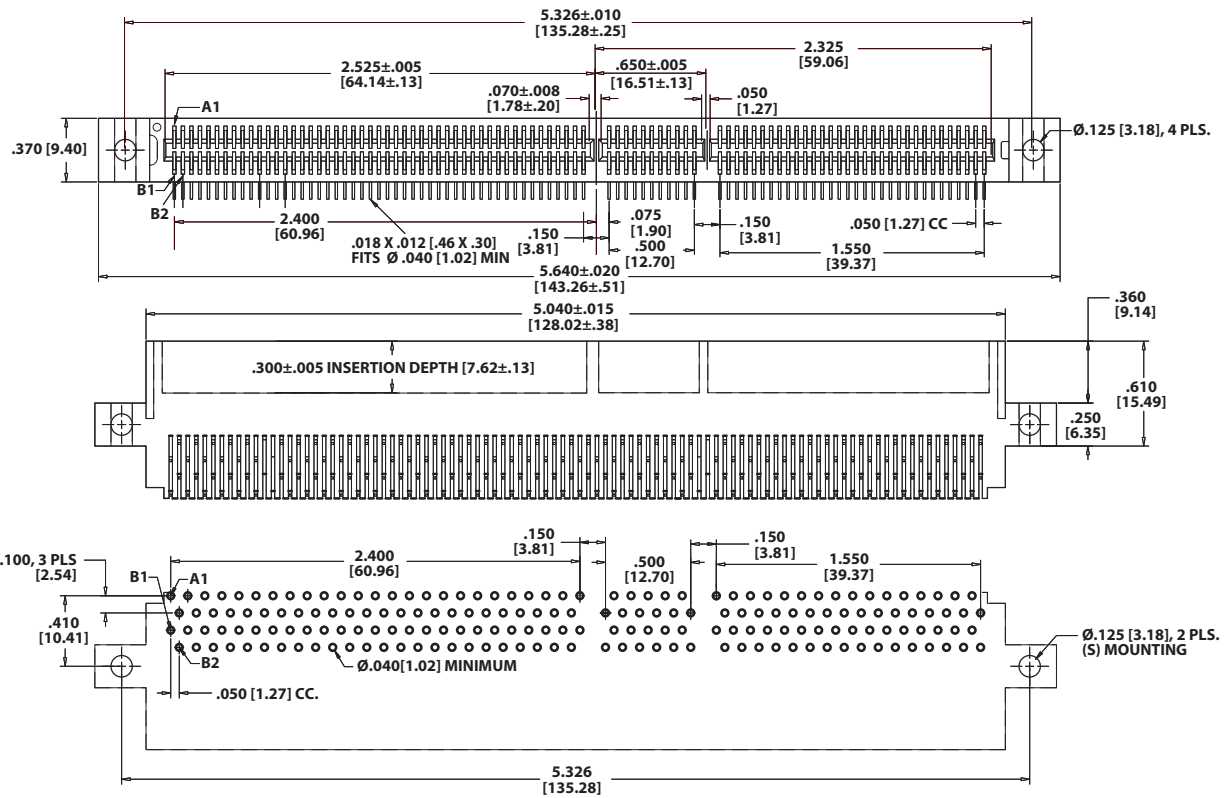
- HA = .100" [2.54mm] Staggered Dip Solder
- HB = .170" [4.32mm] Staggered Dip Solder

READOUT

- D = Dual

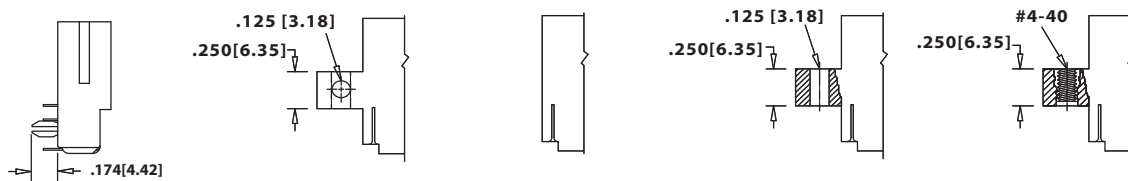
DIMENSIONS

Dimensions in [] are in millimeters, all others are in inches.



**BOARD LAYOUT, CONNECTOR SIDE
GBB92DHAS-S250, 64 BIT, 5 VOLT**

MOUNTING STYLE



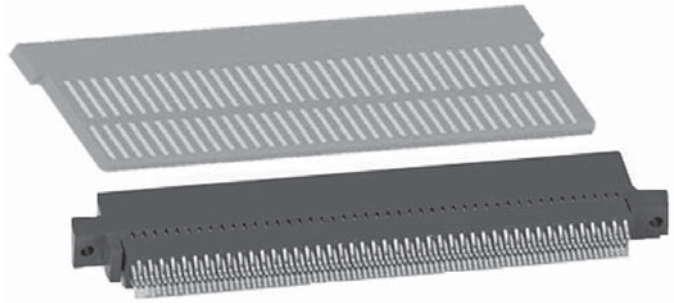
- BOARD LOCK (R)
(with no mounting ears)
- SIDE MOUNTING (S)
- NO MOUNTING EARS (N)
- FLUSH MOUNTING (D)
- THREADED INSERT (T)



Bi-Level, .050" [1.27 mm] / .100" [2.54 mm] Contact Centers
High Density, Card Extender, Dip Solder for .062" [1.57] or .093" [2.36]

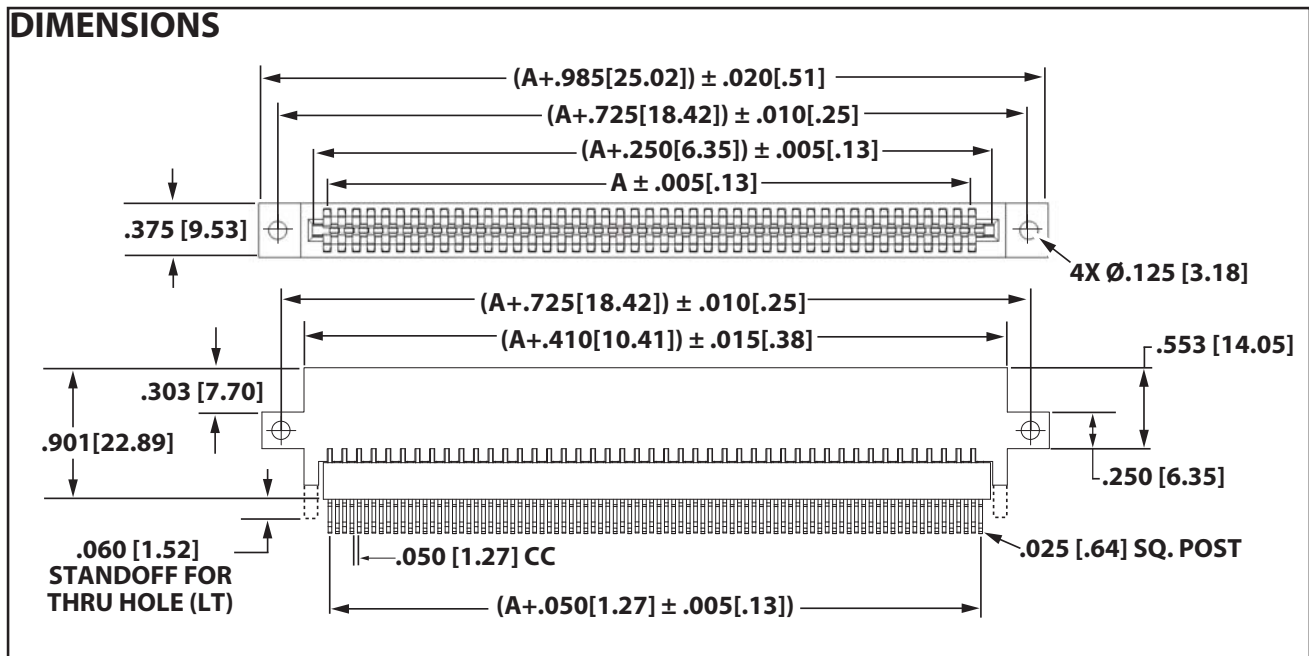
SPECIFICATIONS

- .050" Contact Center Spacing can replace .100" CC parts to double the number of contacts within the same area
- Backwards Compatible with Daughter Card Side
- Accommodates .062" ± .008" [1.57 ± .20] or .093" ± .008" [2.36 ± .20] PC board
- Contact Material: Beryllium Copper or Phosphor Bronze
- Body Material: PA9T
- UL Flammability: 94V-0
- 3 amp current rating per contact
- 75 grams minimum contact normal force
- Voltage Rating: 125 VDC Minimum at sea level
- Consult Factory for PC board layouts/technical drawings

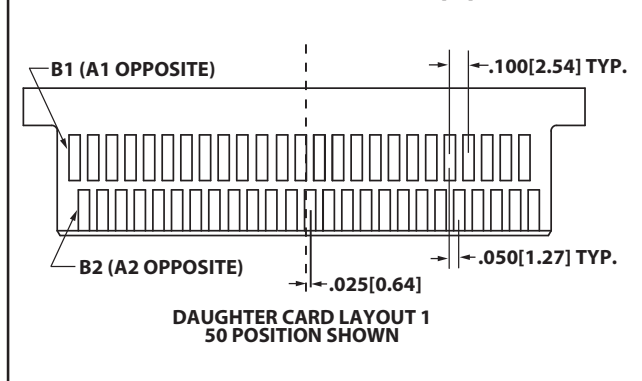


HIGH DENSITY HIGH TEMPERATURE HIGH CYCLE HIGH RELIABILITY

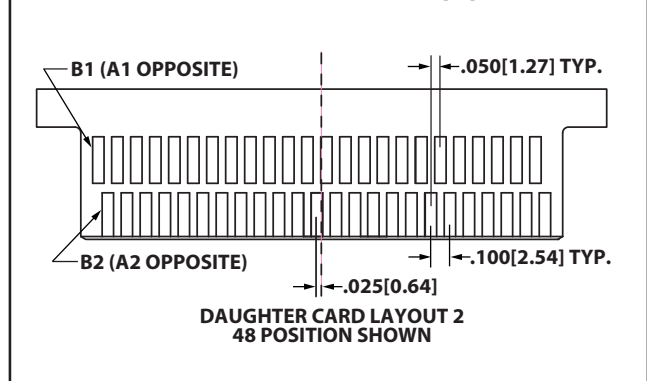
DIMENSIONS



DAUGHTER CARD LAYOUT (1)



DAUGHTER CARD LAYOUT (2)





Bi-Level, .050" [1.27 mm] / .100" [2.54 mm] Contact Centers
High Density, Card Extender, Dip Solder for .062" [1.57] or .093" [2.36]

Sullins Edgecards

PART NUMBER CODING

MATERIALS (INSULATOR/CONTACT)
 G = PA9T/Phosphor Bronze
 Operating Temperature: 125°C
 J = PA9T/Beryllium Copper
 Operating Temperature: 150°C

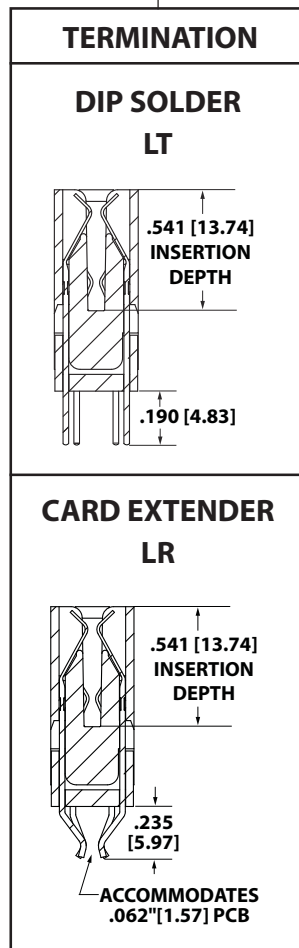
CONTACT FINISH - RoHS Compliant
All platings are Lead Free and have .000050" Nickel underplate
Contact Surface Termination
 B = .000010" Gold .000100" Pure Tin, Matte
 C = .000030" Gold .000100" Pure Tin, Matte
 Y = .000030" Gold .000005" Gold

CONTACT CENTERS
 B = .050" [1.27mm]

MODIFICATION CODE (Consult Factory)
 OMIT FOR STANDARD
 -S1176 = For .093"±.008" [2.36 ± .20]
 Thick Mating PCB

J C B 10 D LT H - Sxxx

Positions	Dimension A (see opposite page)			Daughter Card Layout
	No. of Contacts	Inches	[MM]	
06	12	0.200	5.08	1
08	16	0.300	7.62	2
10	20	0.400	10.16	1
12	24	0.500	12.70	2
14	28	0.600	15.24	1
16	32	0.700	17.78	2
18	36	0.800	20.32	1
20	40	0.900	22.86	2
22	44	1.000	25.40	1
24	48	1.100	27.94	2
26	52	1.200	30.48	1
28	56	1.300	33.02	2
30	60	1.400	35.56	1
32	64	1.500	38.10	2
34	68	1.600	40.64	1
36	72	1.700	43.18	2
38	76	1.800	45.72	1
40	80	1.900	48.26	2
42	84	2.000	50.80	1
44	88	2.100	53.34	2
46	92	2.200	55.88	1
48	96	2.300	58.42	2
50	100	2.400	60.96	1
52	104	2.500	63.50	2
54	108	2.600	66.04	1
56	112	2.700	68.58	2
58	116	2.800	71.12	1
60	120	2.900	73.66	2
62	124	3.000	76.20	1
64	128	3.100	78.74	2
66	132	3.200	81.28	1
68	136	3.300	83.82	2
70	140	3.400	86.36	1
72	144	3.500	88.90	2
74	148	3.600	91.44	1
76	152	3.700	93.98	2
78	156	3.800	96.52	1
80	160	3.900	99.06	2
82	164	4.000	101.60	1
84	168	4.100	104.14	2
86	172	4.200	106.68	1
88	176	4.300	109.22	2
90	180	4.400	111.76	1



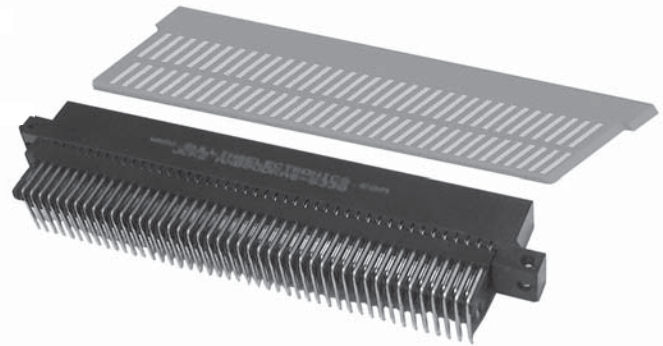
MOUNTING STYLE		
H	MOUNTING HOLES	Ø.125 [3.18]
S	SIDE MOUNTING HOLES	Ø.125 [3.18]
I	#4-40 THREADED INSERTS	#4 - 40
A	#4-40 THREADED INSERTS IN SIDE HOLES	#4 - 40
Z	FLUSH EARS WITH SIDE MOUNTING HOLES	Ø.125 [3.18]
D	FLUSH EARS WITH Ø.125 HOLES	Ø.125 [3.18]
T	FLUSH EARS WITH #4-40 THREADED INSERTS	#4 - 40
V	FLUSH EARS WITH #4-40 THREADED INSERTS IN SIDE HOLES	#4 - 40
N	NO MOUNTING EARS	



Bi-Level, .050" [1.27 mm] / .100" [2.54 mm] Contact Centers High Density, Right Angle for .062" [1.57] or .093" [2.36]

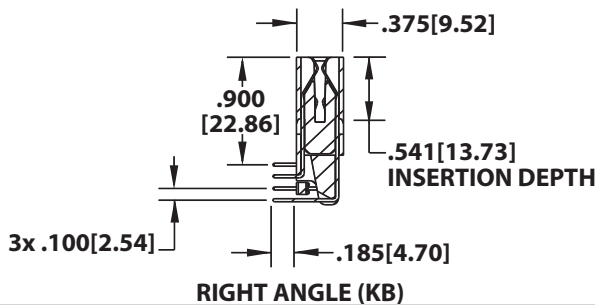
SPECIFICATIONS

- .050" Contact Center Spacing can replace .100" CC parts to double the number of contacts within the same area
- Backwards Compatible with Daughter Card Side
- Accommodates .062" ± .008" [1.57 ± .20] or .093" ± .008" [2.36 ± .20] PC board
- Contact Material: Beryllium Copper or Phosphor Bronze
- Body Material: PA9T
- UL Flammability: 94V-0
- 3 amp current rating per contact
- 75 grams minimum contact normal force
- Voltage Rating: 125 VDC Minimum at sea level
- Consult Factory for PC board layouts/technical drawings



Sullins Edgecards

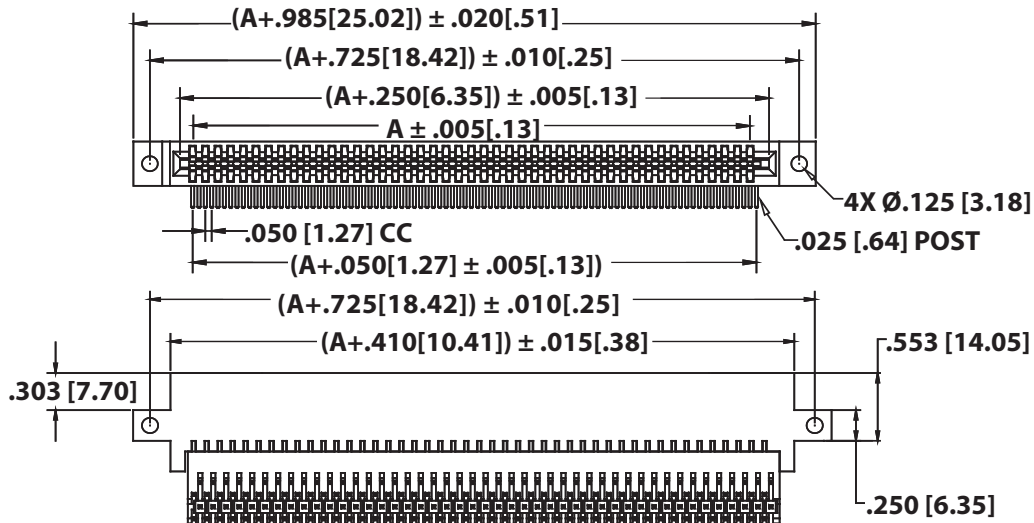
TERMINATION TYPE



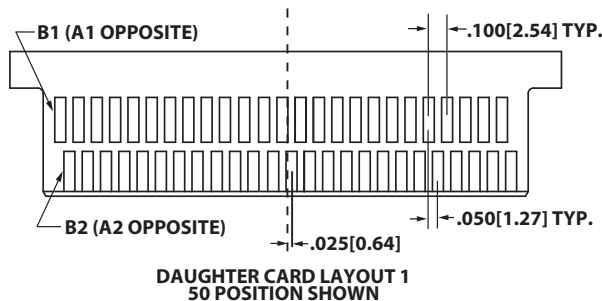
- HIGH DENSITY**
- HIGH TEMPERATURE**
- HIGH CYCLE**
- HIGH RELIABILITY**

DIMENSIONS

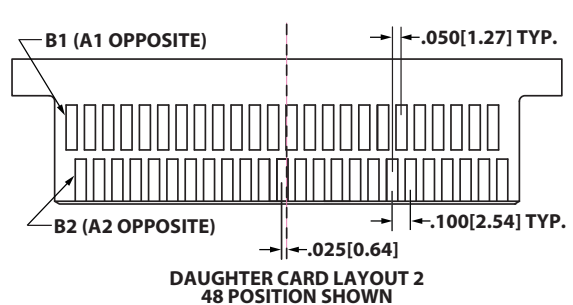
Dimensions in [] are in millimeters, all others are in inches.



DAUGHTER CARD LAYOUT (1)



DAUGHTER CARD LAYOUT (2)



Bi-Level, .050" [1.27 mm] / .100" [2.54 mm] Contact Centers
High Density, Right Angle for .062" [1.57] or .093" [2.36]



PART NUMBER CODING

J C B 10 D KB S - S1075

MATERIALS (INSULATOR/CONTACT)

- G = PA9T/Phosphor Bronze
Operating Temperature: 125°C
- J = PA9T/Beryllium Copper
Operating Temperature: 150°C

CONTACT FINISH - RoHS Compliant

All platings are Lead Free and have .000050" Nickel underplate
Contact Surface Termination

- B = .000010" Gold .000100" Pure Tin, Matte
- C = .000030" Gold .000100" Pure Tin, Matte
- Y = .000030" Gold .000005" Gold

CONTACT CENTERS

- B = .050" [1.27mm]

OMIT FOR STANDARD

- S1176 = For .093" ± .008" [2.36 ± .20] Thick Mating PCB
- S - S1075 = Staggered Ears with Side Mounting Holes
- A - S1076 = Staggered Ears with #4-40 Threaded Inserts

Positions	Dimension A (see opposite page)			Daughter Card Layout
	No. of Contacts	Inches	[MM]	
06	12	0.200	5.08	1
08	16	0.300	7.62	2
10	20	0.400	10.16	1
12	24	0.500	12.70	2
14	28	0.600	15.24	1
16	32	0.700	17.78	2
18	36	0.800	20.32	1
20	40	0.900	22.86	2
22	44	1.000	25.40	1
24	48	1.100	27.94	2
26	52	1.200	30.48	1
28	56	1.300	33.02	2
30	60	1.400	35.56	1
32	64	1.500	38.10	2
34	68	1.600	40.64	1
36	72	1.700	43.18	2
38	76	1.800	45.72	1
40	80	1.900	48.26	2
42	84	2.000	50.80	1
44	88	2.100	53.34	2
46	92	2.200	55.88	1
48	96	2.300	58.42	2
50	100	2.400	60.96	1
52	104	2.500	63.50	2
54	108	2.600	66.04	1
56	112	2.700	68.58	2
58	116	2.800	71.12	1
60	120	2.900	73.66	2
62	124	3.000	76.20	1
64	128	3.100	78.74	2
66	132	3.200	81.28	1
68	136	3.300	83.82	2
70	140	3.400	86.36	1
72	144	3.500	88.90	2
74	148	3.600	91.44	1
76	152	3.700	93.98	2
78	156	3.800	96.52	1
80	160	3.900	99.06	2
82	164	4.000	101.60	1
84	168	4.100	104.14	2
86	172	4.200	106.68	1
88	176	4.300	109.22	2
90	180	4.400	111.76	1

MOUNTING STYLE		
H	MOUNTING HOLES	
S	SIDE MOUNTING HOLES	
I	#4-40 THREADED INSERTS	
A	#4-40 THREADED INSERTS IN SIDE HOLES	
Z	FLUSH EARS WITH SIDE MOUNTING HOLES	
D	FLUSH EARS WITH Ø.125 HOLES	
T	FLUSH EARS WITH #4-40 THREADED INSERTS	
V	FLUSH EARS WITH #4-40 THREADED INSERTS IN SIDE HOLES	
N	NO MOUNTING EARS	

MODIFICATION CODE
(CONSULT FACTORY)

STAGGERED EARS WITH SIDE MOUNTING HOLES (S-S1075)

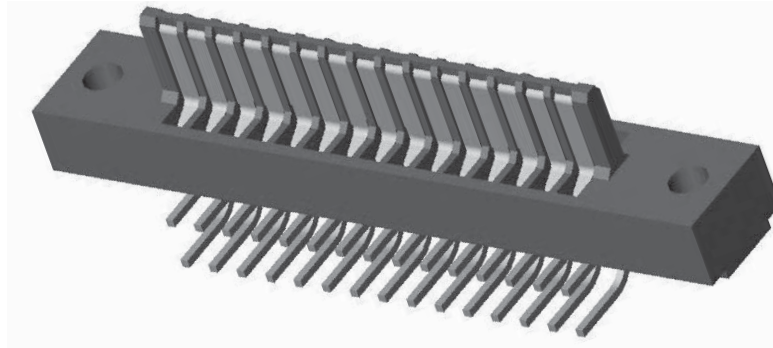
STAGGERED EARS WITH #4-40 THREADED INSERTS (A-S1076)



**.100" [2.54 mm] Contact Centers, .540" [13.72 mm] Insulator Height,
Male Edgecard, Dip Solder/Right Angle/Card Extender**

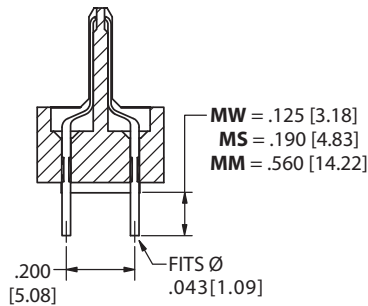
SPECIFICATIONS

- Compatible with .431" or .610" Insulator Height Edgecards
- Mates in place of .062" [1.57] PCB
- PBT or PA9T insulator
- 3 amp current rating per contact
- 30 milli ohm maximum at rated current
- Consult Factory for other Contact Centers

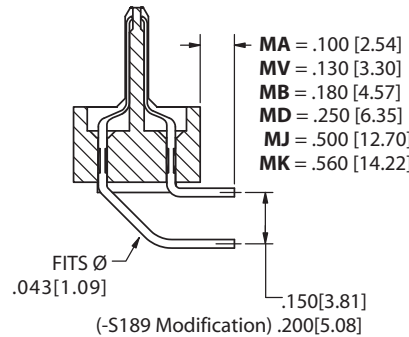


Sullins Edgecards

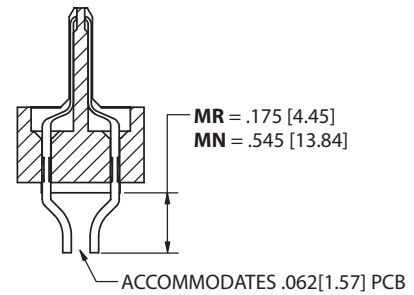
TERMINATION TYPE



**DIP SOLDER (MW, MS)
WIRE WRAP (MM)**

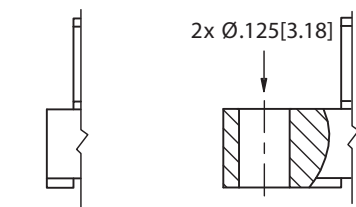


**RIGHT ANGLE
(MA, MV, MB, MD, MJ, MK)**

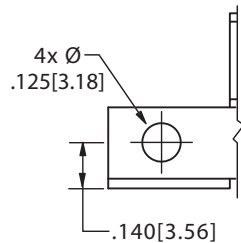


**CARD EXTENDER
(MR, MN)**

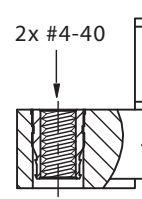
MOUNTING STYLE



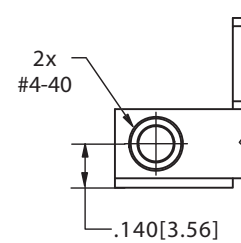
**NO MOUNTING (N)
FLUSH with CLEARANCE HOLES (D)**



FLUSH, SIDE MOUNTING with CLEARANCE HOLES (Z)



FLUSH with THREADED INSERT (T)



FLUSH, with SIDE MOUNTED THREADED INSERT (V)



.100" [2.54 mm] Contact Centers, .540" [13.72 mm] Insulator Height, Male Edgecard, Dip Solder/Right Angle/Card Extender

PART NUMBER CODING

E B C 25 M MW D - Sxxx

MATERIALS (Insulator/Contact)

- E = PBT/Phosphor Bronze
Operating Temperature: -65°C to 125°C
Processing Temperature: 260°C for 10 seconds Max.
- G = PA9T/Phosphor Bronze
Operating Temperature: -65°C to 150°C
Processing Temperature: 260°C for 120 seconds Max.

CONTACT FINISH - RoHS Compliant
All platings are Lead Free and have .000050" Nickel underplate

Contact Surface Termination

- B = .000010" Gold .000100" Pure Tin, Matte
- C = .000030" Gold .000100" Pure Tin, Matte
- Y = .000030" Gold .000005" Gold

CONTACT CENTERS
C = .100" [2.54mm]

NUMBER OF CONTACT POSITIONS
04 thru 60 Positions (Contact Factory for Positions Not Shown)

MODIFICATIONS (Consult Factory)
Omit for Standard
-S189 = .200" Row Spacing (Right Angle Only)

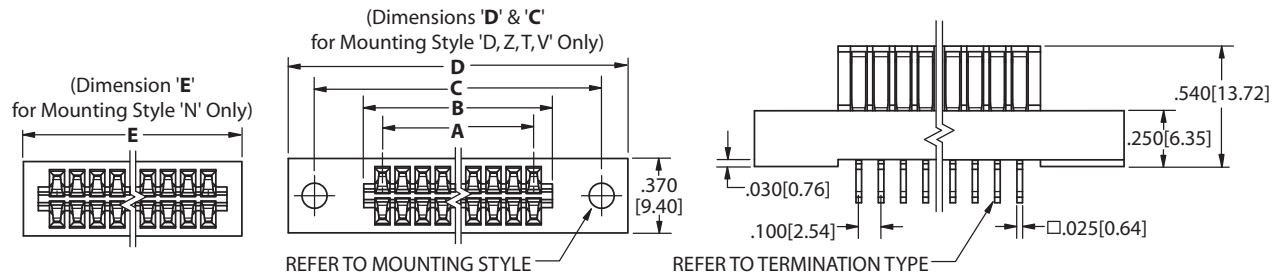
MOUNTING STYLE (Opposite Page)
N = No Mounting
D = .250" Ears, Flush Mounting, .125" [3.18mm] Dia
Z = .250" Ears, Flush, Side Mounting
T = .250" Ears, Flush Mounting, #4-40 Threaded Insert
V = Flush, Side Mounting, #4-40 Threaded Insert

TERMINATION TYPE (Opposite Page)
MW, MS = Dip Solder
MM = Wire Wrap
MA, MV, MB = Right Angle
MD, MJ, MK = Right Angle
MR, MN = Card Extender

M = Male Edgecard

DIMENSIONS

Dimensions in [] are in millimeters, all others are in inches.



POSITIONS/ CONTACTS	INCHES					[MILLIMETERS]				
	A±.008	B±.008	C±.010	D±.020	E±.020 'N' Mtg. Only	A±0.20	B±0.20	C±0.25	D±0.51	E±0.51 'N' Mtg. Only
04/08	0.300	0.486	0.975	1.236	0.656	7.62	12.34	24.77	31.39	16.66
05/10	0.400	0.586	1.075	1.336	0.756	10.16	14.88	27.31	33.93	19.20
06/12	0.500	0.686	1.175	1.436	0.856	12.70	17.42	29.85	36.47	21.74
07/14*	0.600	0.786	1.275	1.536	0.956	15.24	19.96	32.39	39.01	24.28
08/16*	0.700	0.886	1.375	1.636	1.056	17.78	22.50	34.93	41.55	26.82
10/20	0.900	1.086	1.575	1.836	1.256	22.86	27.58	40.01	46.63	31.90
12/24	1.100	1.286	1.775	2.036	1.456	27.94	32.66	45.09	51.71	36.98
13/26	1.200	1.386	1.875	2.136	1.556	30.48	35.20	47.63	54.25	39.52
15/30	1.400	1.586	2.075	2.336	1.756	35.56	40.28	52.71	59.33	44.60
17/34	1.600	1.786	2.275	2.536	1.956	40.64	45.36	57.79	64.41	49.68
18/36	1.700	1.886	2.375	2.636	2.056	43.18	47.90	60.33	66.95	52.22
19/38	1.800	1.986	2.475	2.736	2.156	45.72	50.44	62.87	69.49	54.76
20/40	1.900	2.086	2.575	2.836	2.256	48.26	52.98	65.41	72.03	57.30
22/44	2.100	2.286	2.775	3.036	2.456	53.34	58.06	70.49	77.11	62.38
23/46	2.200	2.386	2.875	3.136	2.556	55.88	60.60	73.03	79.65	64.92
24/48	2.300	2.486	2.975	3.236	2.656	58.42	63.14	75.57	82.19	67.46
25/50	2.400	2.586	3.075	3.336	2.756	60.96	65.68	78.11	84.73	70.00
28/56	2.700	2.886	3.375	3.636	3.056	66.04	70.76	83.19	89.81	75.12
30/60	2.900	3.086	3.575	3.836	3.256	73.66	78.38	90.81	97.43	82.70
31/62	3.000	3.186	3.675	3.936	3.356	76.20	80.92	93.35	99.97	85.24
35/70	3.400	3.586	4.075	4.336	3.756	86.36	91.08	103.51	110.13	95.40
36/72	3.500	3.686	4.175	4.436	3.856	88.90	93.62	106.05	112.67	97.94
40/80	3.900	4.086	4.575	4.836	4.256	99.06	103.78	116.21	122.83	108.10
43/86	4.200	4.386	4.875	5.136	4.556	106.68	111.40	123.83	130.45	115.72
44/88	4.300	4.486	4.975	5.236	4.656	109.22	113.94	126.37	132.99	118.26
49/98	4.800	4.986	5.475	5.736	5.156	121.92	126.64	139.07	145.69	130.96
50/100	4.900	5.086	5.575	5.836	5.256	124.46	129.18	141.61	148.23	133.50
52/104	5.100	5.286	5.775	6.036	5.456	129.54	134.26	146.69	153.31	138.58
55/110	5.400	5.586	6.075	6.336	5.756	137.16	141.88	154.31	160.93	146.20
56/112†	5.500	5.686	6.175	6.436	5.856	139.70	144.42	156.85	163.47	148.74
57/114†	5.600	5.786	6.275	6.536	5.956	142.24	146.96	159.39	166.01	151.28
58/116†	5.700	5.886	6.375	6.636	6.056	144.78	149.50	161.93	168.55	153.82
59/118†	5.800	5.986	6.475	6.736	6.156	147.32	152.04	164.47	171.09	156.36
60/120†	5.900	6.086	6.575	6.836	6.256	149.86	154.58	167.01	173.63	158.90

*Consult factory for availability

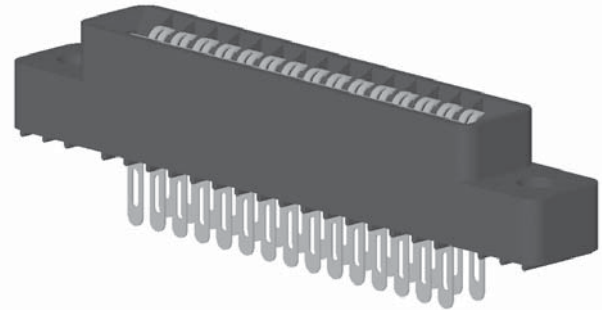
† Available in 'N' Mounting Only



.100" [2.54 mm] Contact Centers, .431" [10.95 mm] Insulator Height
Dip Solder/Eyelet/Right Angle for .062" [1.57] or .031" [0.79] Mating PCB

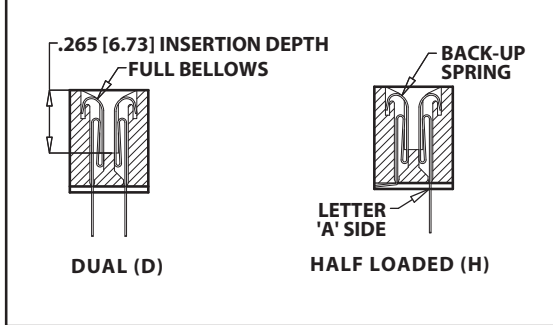
SPECIFICATIONS

- Accommodates $.062" \pm .008"$ [1.57 ± .20] PC board
- PBT, PPS, PA9T or PEEK insulator
- Molded-in key available
- 3 amp current rating per contact
- 30 milli ohm maximum at rated current

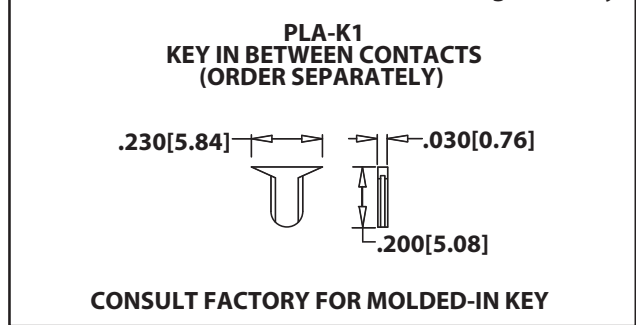


Sullins Edgecards

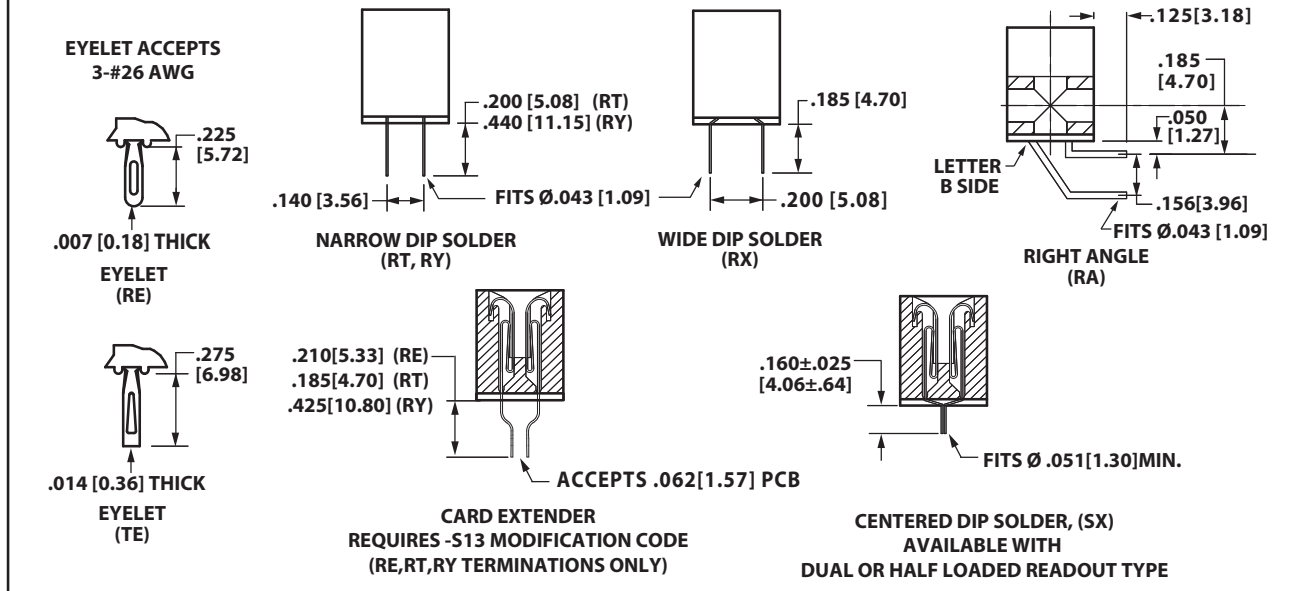
READOUT



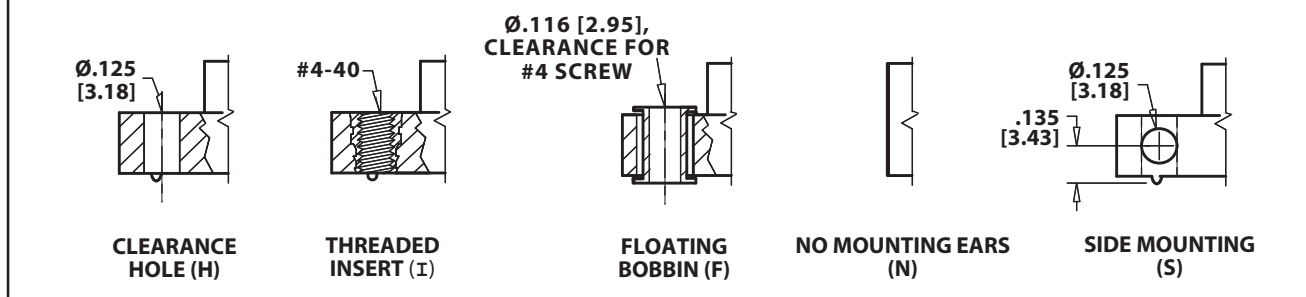
POLARIZING KEYS (For .062" Mating PCB Only)



TERMINATION TYPE



MOUNTING STYLE





**.100" [2.54 mm] Contact Centers, .431" [10.95 mm] Insulator Height
Dip Solder/Eyelet/Right Angle for .062" [1.57] or .031" [0.79] Mating PCB**

Sullins Edgcards

PART NUMBER CODING

MATERIALS (Insulator/Contact)

- E = PBT/Phosphor Bronze (Standard)
- R = PPS/Phosphor Bronze
- G = PA9T/Phosphor bronze
- H = PBT/Beryllium Copper
- A = PPS/Beryllium Copper
- J = PA9T/Beryllium Copper
- *F = PPS/Spinodal (Overall Gold Plating Only)
Consult Factory for Special Soldering Guidelines
- *C = PPS/Beryllium Nickel (Overall Gold Plating Only)
- *W = PEEK/Beryllium Nickel (Overall Gold Plating Only)
*Consult Factory for availability.

CONTACT FINISH - RoHS Compliant

All platings are Lead Free and have .000050" Nickel underplate

	Contact Surface	Termination
B =	.000010" Gold	.000100" Pure Tin, Matte
C =	.000030" Gold	.000100" Pure Tin, Matte
G =	.000010" Gold	.000005" Gold
Y =	.000030" Gold	.000005" Gold
	Contact Surface	Overall Plating
S =	.000010" Gold	.000010" Gold
M =	.000030" Gold	.000010" Gold
E =	.000100" Pure Tin, Matte	.000100" Pure Tin, Matte

CONTACT CENTERS

C = .100" [2.54mm]

E B C 43 D RE H - Sxxx

MODIFICATIONS (Consult Factory)

- OMIT FOR STANDARD
- S13 = Card Extender Accepts .062" [1.57] PCB (RE, RT, RY Terminations Only)
- S734 = .031" ± .008" [79 ± .20] Thick Mating PCB

MOUNTING STYLE (Opposite Page)

- H = .125" [3.18mm] Clearance Holes
- N = No Mounting
- S = Side Mounting
- I = Threaded Insert
- F = Floating Bobbin

TERMINATION TYPE (Opposite Page)

- RA = Right Angle
- RE = Eyelet (Standard)
- TE = Eyelet (Overall Plated Only)
- RT = .140" [3.56mm] x .200" [5.08mm] Dip Solder
- RY = .140" [3.56mm] x .440" [11.18mm] Dip Solder
- RX = .200" [5.08mm] x .185" [4.70mm] Dip Solder
- SX = .110" [2.79mm] Centered Dip Solder

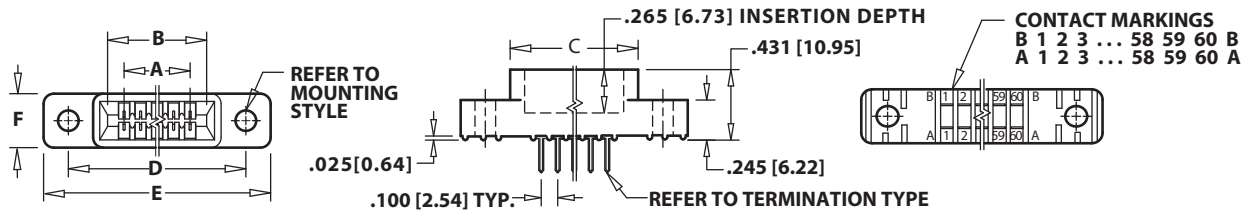
READOUT (Opposite Page)

- D = Dual
- H = Half Loaded

NUMBER OF CONTACT POSITIONS
See Chart Below

DIMENSIONS

Dimensions in [] are in millimeters, all others are in inches.



Tolerances with PPS Insulator Material may vary slightly due to shrinkage differential: Consult Factory.

POSITIONS/ CONTACTS	INCHES						[MILLIMETERS]					
	A±.008	B±.008	C±.015	D±.010	E±.020	F±.005	A±0.20	B±0.20	C±0.38	D±0.25	E±0.51	F±0.13
04/08*	0.300	0.500	0.675	0.975	1.275	0.330	7.62	12.70	17.15	24.77	32.39	8.38
05/10	0.400	0.600	0.775	1.075	1.375		10.16	15.24	19.69	27.31	34.93	
06/12	0.500	0.700	0.875	1.175	1.475		12.70	17.78	22.23	29.85	37.47	
07/14	0.600	0.800	0.975	1.275	1.575		15.24	20.32	24.77	32.39	40.01	
08/16	0.700	0.900	1.075	1.375	1.675		17.78	22.86	27.31	34.93	42.55	
10/20	0.900	1.100	1.275	1.575	1.875		22.86	27.94	32.39	40.01	47.63	
12/24	1.100	1.300	1.475	1.775	2.075		27.94	33.02	37.47	45.09	52.71	
13/26	1.200	1.400	1.575	1.875	2.175		30.48	35.56	40.01	47.63	55.25	
15/30	1.400	1.600	1.775	2.075	2.375		35.56	40.64	45.09	52.71	60.33	
17/34	1.600	1.800	1.975	2.275	2.575		40.64	45.72	50.17	57.79	65.41	
18/36	1.700	1.900	2.075	2.375	2.675		43.18	48.26	52.71	60.33	67.95	
19/38	1.800	2.000	2.175	2.475	2.775		45.72	50.80	55.25	62.87	70.49	
20/40	1.900	2.100	2.275	2.575	2.875		48.26	53.34	57.79	65.41	73.03	
22/44	2.100	2.300	2.475	2.775	3.075		53.34	58.42	62.87	70.49	78.11	
23/46*	2.200	2.400	2.575	2.875	3.175		55.88	60.96	65.41	73.03	80.65	
25/50	2.400	2.600	2.775	3.075	3.375		60.96	66.04	70.49	78.11	85.73	
26/52	2.500	2.700	2.875	3.175	3.475	63.50	68.58	73.03	80.65	88.27		
28/56	2.700	2.900	3.075	3.375	3.675	68.58	73.66	78.11	85.73	93.35		
30/60	2.900	3.100	3.275	3.575	3.875	73.66	78.74	83.19	90.81	98.43		
31/62	3.000	3.200	3.375	3.675	3.975	76.20	81.28	85.73	93.35	100.97		
35/70	3.400	3.600	3.775	4.075	4.375	86.36	91.44	95.89	103.51	111.13		
36/72	3.500	3.700	3.875	4.175	4.475	88.90	93.98	98.43	106.05	113.67		
40/80	3.900	4.100	4.275	4.575	4.875	99.06	104.14	108.59	116.21	123.83		
43/86	4.200	4.400	4.575	4.875	5.175	106.68	111.76	116.21	123.83	131.45		
44/88	4.300	4.500	4.675	4.975	5.275	109.22	114.30	118.75	126.37	133.99		
49/98	4.800	5.000	5.175	5.475	5.775	121.92	127.00	131.45	139.07	146.69		
50/100	4.900	5.100	5.275	5.575	5.875	124.46	129.54	133.99	141.61	149.23		
52/104*	5.100	5.300	5.475	5.775	6.075	129.54	134.62	139.07	146.69	154.31		
60/120	5.900	6.100	6.275	6.575	6.875	149.86	154.94	159.39	167.01	174.63		
65/130	6.400	6.600	6.775	7.075	7.375	162.56	167.64	172.09	179.71	187.33		

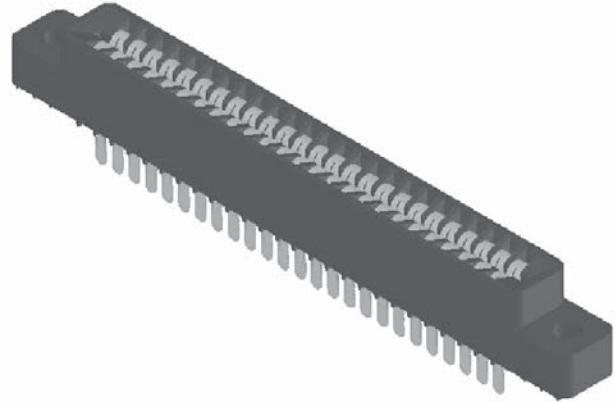
* Consult Factory For Availability



**.100" [2.54 mm] Contact Centers, .431" [10.95 mm] Insulator Height
Dip Solder/Eyelet/Right Angle for .093" [2.36] Mating PCB**

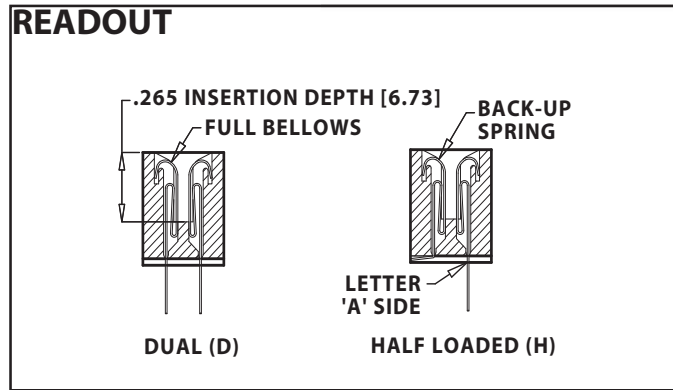
SPECIFICATIONS

- Accommodates .093" ± .008" [2.36 ± .20] PC board
- PBT, PPS, PA9T, or PEEK insulator
- Molded-in key available
- 3 amp current rating per contact
- 30 milli ohm maximum at rated current

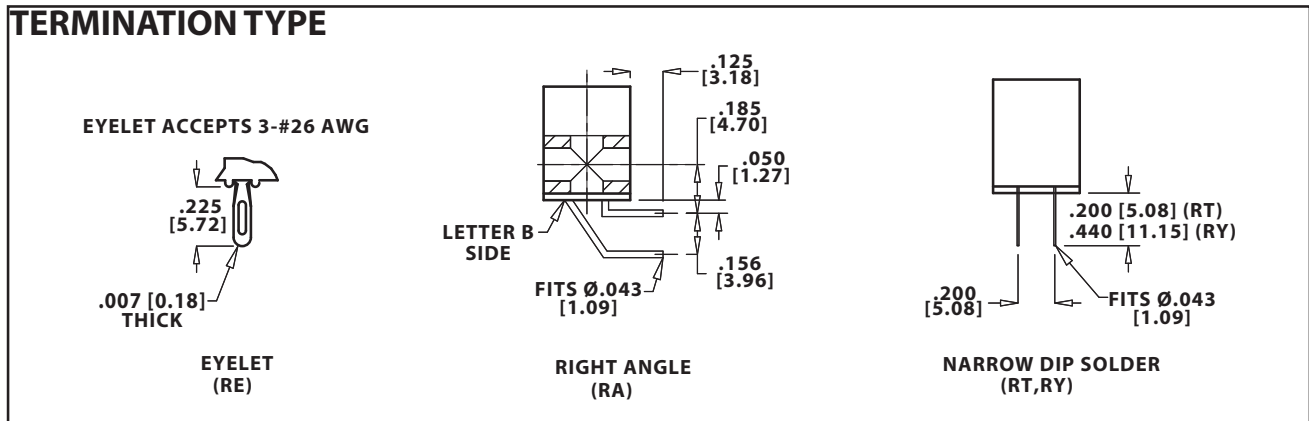


Sullins Edgecards

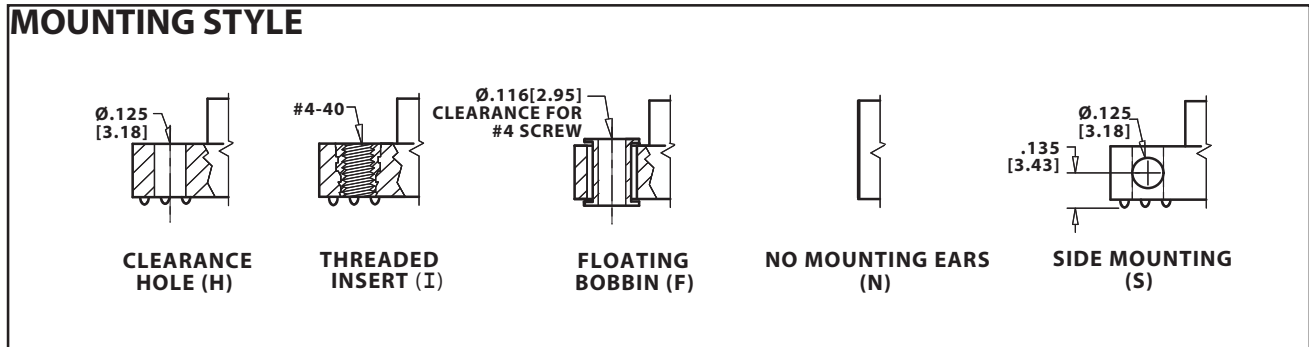
READOUT



TERMINATION TYPE



MOUNTING STYLE





.100" [2.54mm] Contact Centers, .431" [10.95 mm] Insulator Height Dip Solder/Eyelet/Right Angle for .093" [2.36] Mating PCB

Sullins Edgecards

PART NUMBER CODING

MATERIALS (Insulator/Contact)

- E = PBT/Phosphor Bronze (Standard)
- R = PPS/Phosphor Bronze
- G = PA9T/Phosphor bronze
- H = PBT/Beryllium Copper
- A = PPS/Beryllium Copper
- J = PA9T/Beryllium Copper
- *F = PPS/Spinodal (Overall Gold Plating Only)
Consult Factory for Special Soldering Guidelines
- *C = PPS/Beryllium Nickel (Overall Gold Plating Only)
- *W = PEEK/Beryllium Nickel (Overall Gold Plating Only)
*Consult Factory for availability.

CONTACT FINISH - RoHS Compliant

All platings are Lead Free and have .000050" Nickel underplate

	Contact Surface	Termination
B =	.000010" Gold	.000100" Pure Tin, Matte
C =	.000030" Gold	.000100" Pure Tin, Matte
G =	.000010" Gold	.000005" Gold
Y =	.000030" Gold	.000005" Gold
	Contact Surface	Overall Plating
S =	.000010" Gold	.000010" Gold
M =	.000030" Gold	.000010" Gold
E =	.000100" Pure Tin, Matte	.000100" Pure Tin, Matte

E B C 43 D RE H - S93

MODIFICATION (CONSULT FACTORY)
-S93 = .093" ± .008" [2.36 ± .20] Thick PCB

MOUNTING STYLE (Opposite Page)

- H = .125" [3.18mm] Clearance Holes
- N = No Mounting
- S = Side Mounting
- I = Threaded Insert
- F = Floating Bobbin

TERMINATION TYPE (Opposite Page)

- RA = Right Angle
- RE = Eyelet
- RT = .200" [5.08mm] x .200" [5.08mm] Dip Solder
- RY = .200" [5.08mm] x .440" [11.18mm] Dip Solder

READOUT (Opposite Page)

- D = Dual
- H = Half Loaded

NUMBER OF CONTACT POSITIONS

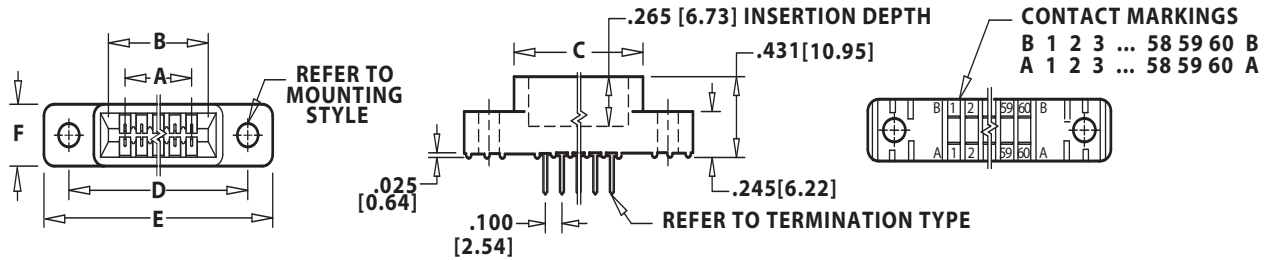
See Chart Below

CONTACT CENTERS

C = .100" [2.54mm]

DIMENSIONS

Dimensions in [] are in millimeters, all others are in inches.



Tolerances with PPS Insulator Material may vary slightly due to shrinkage differential: Consult Factory.

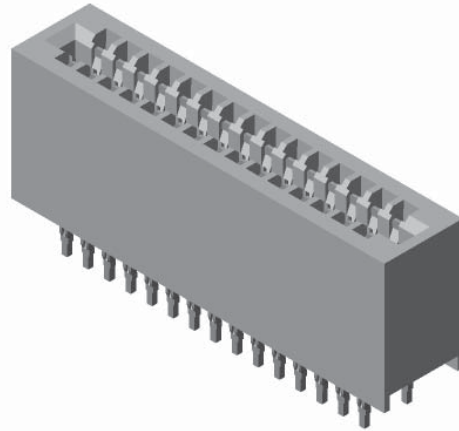
POSITIONS/ CONTACTS	INCHES						[MILLIMETERS]					
	A±.008	B±.008	C±.015	D±.010	E±.020	F±.005	A±0.20	B±0.20	C±0.38	D±0.25	E±0.51	F±0.13
04/08*	0.300	0.500	0.675	0.975	1.275		7.62	12.70	17.15	24.77	32.39	
05/10	0.400	0.600	0.775	1.075	1.375		10.16	15.24	19.69	27.31	34.93	
06/12	0.500	0.700	0.875	1.175	1.475		12.70	17.78	22.23	29.85	37.47	
07/14	0.600	0.800	0.975	1.275	1.575		15.24	20.32	24.77	32.39	40.01	
08/16	0.700	0.900	1.075	1.375	1.675		17.78	22.86	27.31	34.93	42.55	
10/20	0.900	1.100	1.275	1.575	1.875		22.86	27.94	32.39	40.01	47.63	
12/24	1.100	1.300	1.475	1.775	2.075		27.94	33.02	37.47	45.09	52.71	
13/26	1.200	1.400	1.575	1.875	2.175		30.48	35.56	40.01	47.63	55.25	
15/30	1.400	1.600	1.775	2.075	2.375		35.56	40.64	45.09	52.71	60.33	
17/34	1.600	1.800	1.975	2.275	2.575		40.64	45.72	50.17	57.79	65.41	
18/36	1.700	1.900	2.075	2.375	2.675	0.330	43.18	48.26	52.71	60.33	67.95	8.38
19/38	1.800	2.000	2.175	2.475	2.775		45.72	50.80	55.25	62.87	70.49	
20/40	1.900	2.100	2.275	2.575	2.875		48.26	53.34	57.79	65.41	73.03	
22/44	2.100	2.300	2.475	2.775	3.075		53.34	58.42	62.87	70.49	78.11	
23/46*	2.200	2.400	2.575	2.875	3.175		55.88	60.96	65.41	73.03	80.65	
25/50	2.400	2.600	2.775	3.075	3.375		60.96	66.04	70.49	78.11	85.73	
26/52	2.500	2.700	2.875	3.175	3.475		63.50	68.58	73.03	80.65	88.27	
28/56	2.700	2.900	3.075	3.375	3.675		68.58	73.66	78.11	85.73	93.35	
30/60	2.900	3.100	3.275	3.575	3.875		73.66	78.74	83.19	90.81	98.43	
31/62	3.000	3.200	3.375	3.675	3.975		76.20	81.28	85.73	93.35	100.97	
35/70	3.400	3.600	3.775	4.075	4.375		86.36	91.44	95.89	103.51	111.13	
36/72	3.500	3.700	3.875	4.175	4.475		88.90	93.98	98.43	106.05	113.67	
40/80	3.900	4.100	4.275	4.575	4.875		99.06	104.14	108.59	116.21	123.83	
43/86	4.200	4.400	4.575	4.875	5.175		106.68	111.76	116.21	123.83	131.45	
44/88	4.300	4.500	4.675	4.975	5.275		109.22	114.30	118.75	126.37	133.99	
49/98	4.800	5.000	5.175	5.475	5.775	0.400	121.92	127.00	131.45	139.07	146.69	10.16
50/100	4.900	5.100	5.275	5.575	5.875		124.46	129.54	133.99	141.61	149.23	
52/104*	5.100	5.300	5.475	5.775	6.075		129.54	134.62	139.07	146.69	154.31	
60/120	5.900	6.100	6.275	6.575	6.875		149.86	154.94	159.39	167.01	174.63	
65/125	6.400	6.600	6.775	7.075	7.375		162.56	167.64	172.09	179.71	187.33	

* Consult Factory For Availability



SPECIFICATIONS

- Designed to meet specifications of Bellcore specification TR-TSY-00078.
- Flat rock installation eliminates the need for any special installation tool.
- Integrally molded scoops available to assist daughter card entry.
- Various insulator options per customer requirements, including:
 - Open ended on one side
 - Open ended on both sides to accommodate end to end mounting
 - Molded in keys per customer requirements.



FEATURES

COMPLIANT SECTION INSERTION FORCE
40 lbs maximum per contact

COMPLIANT SECTION WITHDRAWAL FORCE
10 lbs minimum per contact

HOLE SIZE REQUIREMENTS
Drilled Hole Diameter: $.0453" \pm .0010"$ [1.15 ± .03]
Plating: $.001" [.03]$ to $.003" [.08]$ Copper and $.0003" [.01]$ Minimum Tin

FINISHED HOLE DIAMETER
 $.040" \pm .003"$ [1.02 ± .08]

SUITABLE FOR .062" [1.57] DAUGHTER CARD

RECOMMENDED MOTHERBOARD THICKNESS
 $.093"$ to $.125"$ [2.36 to 3.18]

UL-CUL RECOGNIZED

DIMENSIONS Dimensions in [] are in millimeters, all others are in inches.

OPTIONAL SCOOPS .050 [1.27]

ACCEPTS .054 [1.37] TO .071 [1.80] P.C. BOARD

REFER TO TERMINATION TYPE (Opposite Page)

ROW SPACING SEE TERMINATION TYPE (Opposite Page)

-S1136 (WITH SCOOPS) SHOWN ABOVE

WITHOUT STANDOFFS WITH STANDOFFS

STANDOFF VIEWS WITH NO SCOOPS SHOWN



**.100" [2.54 mm] Contact Centers, .550" [13.97 mm] or .610" [15.49 mm] Profile
Press Fit**

Sullins Edgecards

PART NUMBER CODING

E C C 43 D JB N - Sxxx

MATERIALS (Insulator/Contact)
E = PBT/Phosphor Bronze

CONTACT FINISH - RoHS Compliant
All platings are Lead Free and have .000050" Nickel underplate
Contact Surface Termination
C = .000030" Gold .000100" Pure Tin, Matte

CONTACT CENTERS
C = .100" [2.54mm]

NUMBER OF CONTACT POSITIONS
See Chart Below

READOUT
D = Dual

MODIFICATIONS (Consult Factory)
OMIT FOR STANDARD
Special Number assigned for specials such as:
- Scoops (-S1136)
- Other Card Slot Depths
- Slim Line Body (.315" [8.00mm])

MOUNTING STYLE
N = No Mounting
B = Open Card Slot

TERMINATION TYPE

	Standoffs	Row Spacing	Tail Length
JB =	No*	.200" [5.08mm]	.190" [4.83mm]
JC =	No*	.200" [5.08mm]	.625" [15.88mm]
JW =	Yes	.200" [5.08mm]	.190" [4.83mm]
JX =	Yes	.200" [5.08mm]	.565" [14.35mm]
JF =	No*	.100" [2.54mm]	.190" [4.83mm]
JG =	No*	.100" [2.54mm]	.625" [15.88mm]
JY =	Yes	.100" [2.54mm]	.190" [4.83mm]
JZ =	Yes	.100" [2.54mm]	.565" [14.35mm]

* Consult Factory For Availability

POSITIONS/ CONTACTS	A±.008[0.20]		B±.008[0.20]		C±.015[0.38]	
	INCH	[MM]	INCH	[MM]	INCH	[MM]
05/10	0.400	10.16	0.600	15.24	0.756	19.20
06/12	0.500	12.70	0.700	17.78	0.856	21.74
07/14	0.600	15.24	0.800	20.32	0.956	24.28
08/16*	0.700	17.78	0.900	22.86	1.056	26.82
09/18*	0.800	20.32	1.000	25.40	1.156	29.36
10/20	0.900	22.86	1.100	27.94	1.256	31.90
11/22	1.000	25.40	1.200	30.48	1.356	34.44
12/24	1.100	27.94	1.300	33.02	1.456	36.98
13/26	1.200	30.48	1.400	35.56	1.556	39.52
14/28*	1.300	33.02	1.500	38.10	1.656	42.06
15/30	1.400	35.56	1.600	40.64	1.756	44.60
16/32	1.500	38.10	1.700	43.18	1.856	47.14
17/34	1.600	40.64	1.800	45.72	1.956	49.68
18/36	1.700	43.18	1.900	48.26	2.056	52.22
19/38	1.800	45.72	2.000	50.80	2.156	54.76
20/40	1.900	48.26	2.100	53.34	2.256	57.30
21/42	2.000	50.80	2.200	55.88	2.356	59.84
22/44	2.100	53.34	2.300	58.42	2.456	62.38
23/46	2.200	55.88	2.400	60.96	2.556	64.92
24/48	2.300	58.42	2.500	63.50	2.656	67.46
25/50	2.400	60.96	2.600	66.04	2.756	70.00
26/52	2.500	63.50	2.700	68.58	2.856	72.54
27/54	2.600	66.04	2.800	71.12	2.956	75.08
28/56	2.700	68.58	2.900	73.66	3.056	77.62
29/58	2.800	71.12	3.000	76.20	3.156	80.16
30/60	2.900	73.66	3.100	78.74	3.256	82.70
31/62	3.000	76.20	3.200	81.28	3.356	85.24
32/64	3.100	78.74	3.300	83.82	3.456	87.78

POSITIONS/ CONTACTS	A±.008[0.20]		B±.008[0.20]		C±.015[0.38]	
	INCH	[MM]	INCH	[MM]	INCH	[MM]
33/66	3.200	81.28	3.400	86.36	3.556	90.32
34/68	3.300	83.82	3.500	88.90	3.656	92.86
35/70	3.400	86.36	3.600	91.44	3.756	95.40
36/72	3.500	88.90	3.700	93.98	3.856	97.94
37/74	3.600	91.44	3.800	96.52	3.956	100.48
38/76	3.700	93.98	3.900	99.06	4.056	103.02
39/78	3.800	96.52	4.000	101.60	4.156	105.56
40/80	3.900	99.06	4.100	104.14	4.256	108.10
41/82	4.000	101.60	4.200	106.68	4.356	110.64
42/84	4.100	104.14	4.300	109.22	4.456	113.18
43/86	4.200	106.68	4.400	111.76	4.556	115.72
44/88	4.300	109.22	4.500	114.30	4.656	118.26
45/90	4.400	111.76	4.600	116.84	4.756	120.80
46/92	4.500	114.30	4.700	119.38	4.856	123.34
47/94	4.600	116.84	4.800	121.92	4.956	125.88
48/96	4.700	119.38	4.900	124.46	5.056	128.42
49/98	4.800	121.92	5.000	127.00	5.156	130.96
50/100	4.900	124.46	5.100	129.54	5.256	133.50
51/102	5.000	127.00	5.200	132.08	5.356	136.04
52/104	5.100	129.54	5.300	134.62	5.456	138.58
53/106	5.200	132.08	5.400	137.16	5.556	141.12
54/108	5.300	134.62	5.500	139.70	5.656	143.66
55/110	5.400	137.16	5.600	142.24	5.756	146.20
56/112	5.500	139.70	5.700	144.78	5.856	148.74
57/114	5.600	142.24	5.800	147.32	5.956	151.28
58/116	5.700	144.78	5.900	149.86	6.056	153.82
59/118	5.800	147.32	6.000	152.40	6.156	156.36
60/120	5.900	149.86	6.100	154.94	6.256	158.90

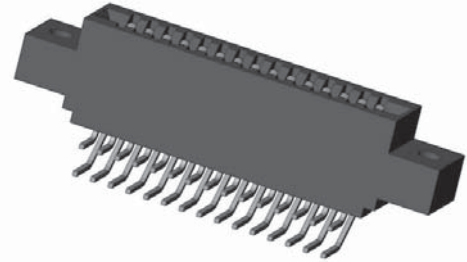
* Consult Factory For Availability



.100" [2.54 mm] Contact Centers, .560" [14.22 mm] Profile, .400" [10.16 mm] Wide Body, Double Point Contact, Dip Solder/Wire Wrap/Right Angle/Card Extender

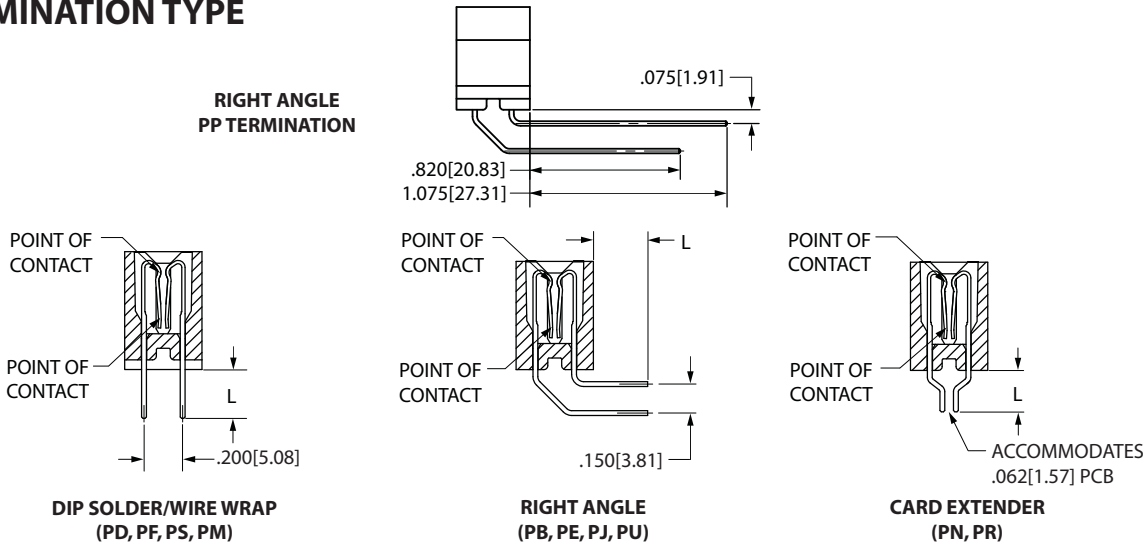
SPECIFICATIONS

- Accommodates .062" ± .008 [1.57 ± .20] PC board
- PPS, PBT or PA9T insulator
- 3 amp current rating per contact
- 30 milli ohm maximum at rated current
- UL Flammability Rating: 94V-0



Sullins Edgards

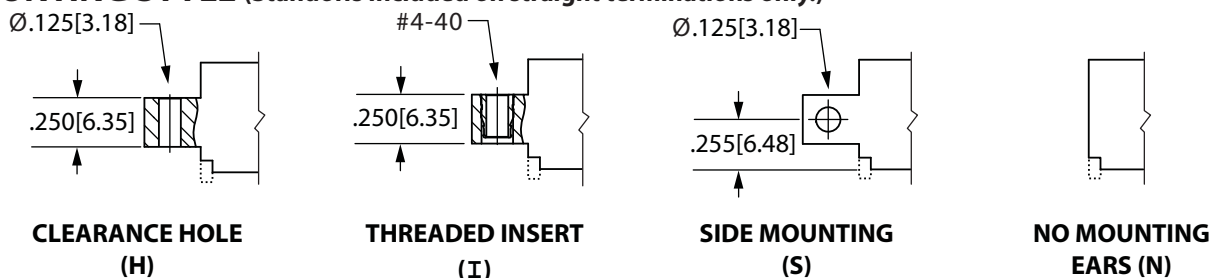
TERMINATION TYPE



TERMINATION	TERMINATION TYPE	* POST LENGTH L ±.025 [.64]	FITS MIN. HOLE SIZE	STANDOFF
PD	DIP SOLDER	.160 [4.06]	.043 [1.09]	YES
PS	DIP SOLDER	.190 [4.83]	.043 [1.09]	YES
PF	DIP SOLDER	.270 [6.86]	.043 [1.09]	YES
PM	WIRE WRAP	.560 [14.22]	.043 [1.09]	YES
PB	RIGHT ANGLE	.100 [2.54]	.043 [1.09]	NO
PG	RIGHT ANGLE	.140 [3.56]	.043 [1.09]	NO
PE	RIGHT ANGLE	.180 [4.57]	.043 [1.09]	NO
PU	RIGHT ANGLE	.250 [6.35]	.043 [1.09]	NO
PJ	RIGHT ANGLE	.500 [12.70]	.043 [1.09]	NO
PP	RIGHT ANGLE	SEE ABOVE	.043 [1.09]	NO
PN	CARD EXTENDER	.225 [5.73]	N/A	NO
PR	CARD EXTENDER	.595 [15.12]	N/A	NO

* OTHER POST LENGTHS AVAILABLE, CONTACT FACTORY.

MOUNTING STYLE (Standoffs included on straight terminations only.)





.100" [2.54 mm] Contact Centers, .560" [14.22 mm] Profile, .400" [10.16 mm] Wide Body, Double Point Contact, Dip Solder/Wire Wrap/Right Angle/Card Extender

PART NUMBER CODING

MATERIALS (Insulator /Contact)

- E = PBT/Phosphor Bronze
- R = PPS/Phosphor Bronze
- G = PA9T/Phosphor Bronze
- H = PBT/Beryllium Copper
- A = PPS/Beryllium Copper
- J = PA9T/Beryllium Copper
- (Consult Factory for Other Materials)

CONTACT FINISH - RoHS Compliant

All platings are Lead Free and have .000050" Nickel underplate

Contact Surface	Termination
B = .000010" Gold	.000100" Pure Tin, Matte
C = .000030" Gold	.000100" Pure Tin, Matte

CONTACT CENTERS

C = .100" [2.54mm]

NUMBER OF CONTACT POSITIONS

See Chart Below

E B C 10 D PD H - Sxxx

MODIFICATION CODE (Consult Factory)
OMIT FOR STANDARD

MOUNTING STYLE (Opposite Page)

- H = Clearance Holes
- I = Threaded Inserts
- S = Side Mounting
- N = No Mounting

TERMINATION TYPE (Opposite Page)

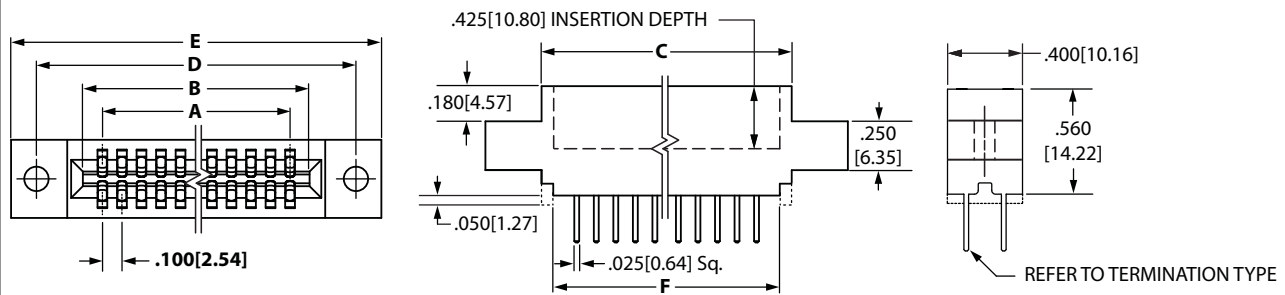
- PD, PF, PS = .025" [.64] Square Dip Solder
- PM = .025" [.64] Square Wire Wrap
- PB, PG, PE, PJ, PU, PP = .025" [.64mm] Square Right Angle
- PN, PR = .025" [.64mm] Square Card Extender

READOUT (Opposite Page)

D = Dual

DIMENSIONS

Dimensions in [] are in millimeters, all others are in inches.



Tolerances with PPS Insulator Material may vary slightly due to shrinkage differential; Consult Factory.

POSITIONS/ CONTACTS	INCHES						[MILLIMETERS]					
	A±.008	B±.008	C±.015	D±.010	E±.020	F±.015	A±0.20	B±0.20	C±0.38	D±0.25	E±0.51	F±0.38
06/12	0.500	0.700	0.860	1.175	1.435	0.740	12.70	17.78	21.84	29.85	36.45	18.80
07/14*	0.600	0.800	0.960	1.275	1.535	0.840	15.24	20.32	24.38	32.39	38.99	21.34
08/16	0.700	0.900	1.060	1.375	1.635	0.940	17.78	22.86	26.92	34.93	41.53	23.88
10/20	0.900	1.100	1.260	1.575	1.835	1.140	22.86	27.94	32.00	40.01	46.61	28.96
12/24	1.100	1.300	1.460	1.775	2.035	1.340	27.94	33.02	37.08	45.09	51.69	34.04
13/26	1.200	1.400	1.560	1.875	2.135	1.440	30.48	35.56	39.62	47.63	54.23	36.58
15/30	1.400	1.600	1.760	2.075	2.335	1.640	35.56	40.64	44.70	52.71	59.31	41.66
17/34	1.600	1.800	1.960	2.275	2.535	1.840	40.64	45.72	49.78	57.79	64.39	46.74
18/36	1.700	1.900	2.060	2.375	2.635	1.940	43.18	48.26	52.32	60.33	66.93	49.28
20/40	1.900	2.100	2.260	2.575	2.835	2.140	48.26	53.34	57.40	65.41	72.01	54.36
22/44	2.100	2.300	2.460	2.775	3.035	2.340	53.34	58.42	62.48	70.49	77.09	59.44
24/48	2.300	2.500	2.660	2.975	3.235	2.540	58.42	63.50	67.56	75.57	82.17	64.52
25/50	2.400	2.600	2.760	3.075	3.335	2.640	60.96	66.04	70.10	78.11	84.71	67.06
28/56	2.700	2.900	3.060	3.375	3.635	2.940	68.58	73.66	77.72	85.73	92.33	74.68
30/60	2.900	3.100	3.260	3.575	3.835	3.140	73.66	78.74	82.80	90.81	97.41	79.76
31/62	3.000	3.200	3.360	3.675	3.935	3.240	76.20	81.28	85.34	93.35	99.95	82.30
35/70	3.400	3.600	3.760	4.075	4.335	3.640	86.36	91.44	95.50	103.51	110.11	92.46
36/72	3.500	3.700	3.860	4.175	4.435	3.740	88.90	93.98	98.04	106.05	112.65	95.00
40/80	3.900	4.100	4.260	4.575	4.835	4.140	99.06	104.14	108.20	116.21	122.81	105.16
43/86	4.200	4.400	4.560	4.875	5.135	4.440	106.68	111.76	115.82	123.83	130.43	112.78
44/88	4.300	4.500	4.660	4.975	5.235	4.540	109.22	114.30	118.36	126.37	132.97	115.32
49/98*	4.800	5.000	5.160	5.475	5.735	5.040	121.92	127.00	131.06	139.07	145.67	128.02
50/100	4.900	5.100	5.260	5.575	5.835	5.140	124.46	129.54	133.60	141.61	148.21	130.56
55/110	5.400	5.600	5.760	6.075	6.335	5.640	137.16	142.24	146.30	154.31	160.91	143.26
60/120	5.900	6.100	6.260	6.575	6.835	6.140	149.86	154.94	159.00	167.01	173.61	155.96
61/122	6.000	6.200	6.360	6.675	6.935	6.240	152.40	157.48	161.54	169.55	176.15	158.50
65/130	6.400	6.600	6.760	7.075	7.335	6.640	162.56	167.64	171.70	179.71	186.31	168.66
70/140	6.900	7.100	7.260	7.575	7.835	7.140	175.26	180.34	184.40	192.41	199.01	181.36

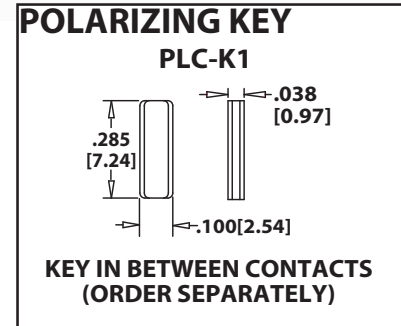
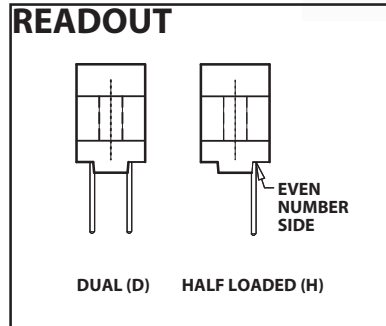
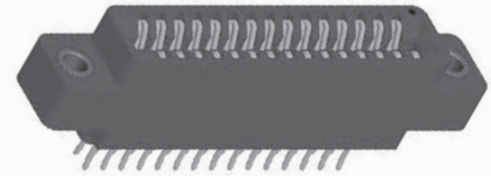
* Consult factory for availability.



.100" [2.54 mm] Contact Centers, .610" [15.49 mm] Insulator Height
Dip Solder/Wire Wrap/Right Angle/Card Extender

SPECIFICATIONS

- Accommodates .062" ± .008" [1.57 ± .20] PC board (For .093" ± .008" [2.36 ± .20] PCB see page 40-41, 42-43; for .125" ± .008" [3.18 ± .20] PCB see page 40-41)
- PBT, PPS or PA9T insulator
- Molded-in key available
- 3 amp current rating per contact
- 30 milli ohm maximum at rated current

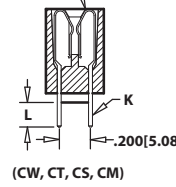


Sullins Edgcards

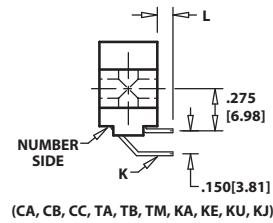
TERMINATION TYPE

HAIRPIN BELLOWS	TERMINATION TYPE	POST CROSS SECTION K	POST LENGTH L .025 [.64]	FITS MIN. HOLE SIZE
CW	DIP SOLDER	.015 x .025 [.38 x .64]	.125 [3.18]	.035 [0.76]
CT	DIP SOLDER	.015 x .025 [.38 x .64]	.170 [4.32]	.035 [0.76]
CS	DIP SOLDER	.025 [.64] SQUARE	.160 [4.06]	.040 [1.02]
CM	WIRE WRAP	.025 [.64] SQUARE	.560 [14.20]	.040 [1.02]
CA	RIGHT ANGLE	.025 [.64] SQUARE	.100 [2.54]	.043 [1.09]
CB	RIGHT ANGLE	.025 [.64] SQUARE	.180 [4.57]	.043 [1.09]
CC	RIGHT ANGLE	.025 [.64] SQUARE	.250 [6.35]	.043 [1.09]

HAIRPIN BELLOWS

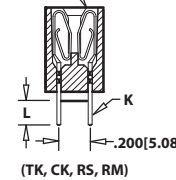


RIGHT ANGLE

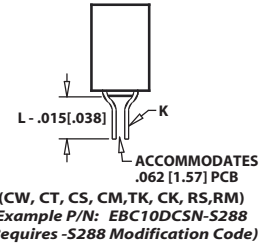


LOOP BELLOWS	TERMINATION TYPE	POST CROSS SECTION K	POST LENGTH L .025 [.64]	FITS MIN. HOLE SIZE
TK,CK	DIP SOLDER	.026 [.66] ROUND	.190 [4.83]	.030 [0.76]
RS	DIP SOLDER	.025 [.64] SQUARE	.190 [4.83]	.040 [1.02]
RM	WIRE WRAP	.025 [.64] SQUARE	.560 [14.20]	.040 [1.02]
TA	RIGHT ANGLE	.025 [.64] SQUARE	.100 [2.54]	.043 [1.09]
TB	RIGHT ANGLE	.025 [.64] SQUARE	.180 [4.57]	.043 [1.09]
TM	RIGHT ANGLE	.025 [.64] SQUARE	.250 [6.35]	.043 [1.09]

LOOP BELLOWS

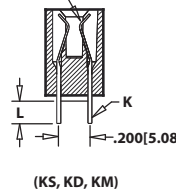


HAIRPIN or LOOP CARD EXTENDER

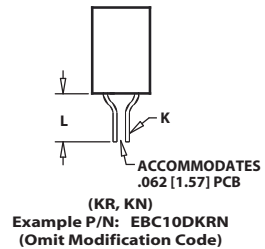


CANTILEVER	TERMINATION TYPE	POST CROSS SECTION K	POST LENGTH L .025 [.64]	FITS MIN. HOLE SIZE
KS	DIP SOLDER	.025 [.64] SQUARE	.190 [4.83]	.040 [1.02]
KD	DIP SOLDER	.025 [.64] SQUARE	.160 [4.06]	.043 [1.09]
KM	WIRE WRAP	.025 [.64] SQUARE	.560 [14.20]	.040 [1.02]
*KA	RIGHT ANGLE	.025 [.64] SQUARE	.100 [2.54]	.043 [1.09]
*KE	RIGHT ANGLE	.025 [.64] SQUARE	.180 [4.57]	.043 [1.09]
*KU	RIGHT ANGLE	.025 [.64] SQUARE	.250 [6.35]	.043 [1.09]
*KJ	RIGHT ANGLE	.025 [.64] SQUARE	.500 [12.70]	.043 [1.09]
*KR	CARD EXTENDER	.025 [.64] SQUARE	.235 [5.97]	N/A
*KN	CARD EXTENDER	.025 [.64] SQUARE	.605 [15.37]	N/A

CANTILEVER

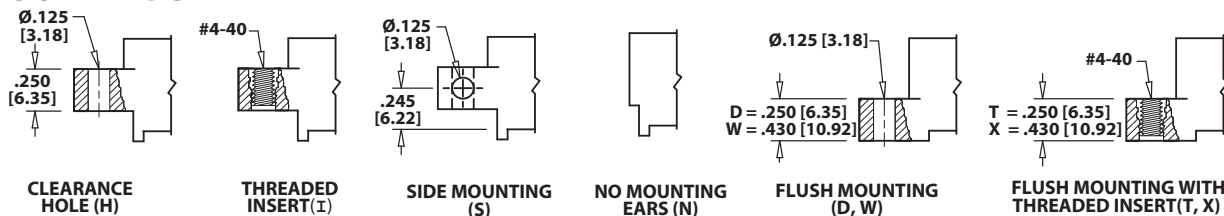


CANTILEVER CARD EXTENDER



* KA, KE, KJ, KR, KN have no standoffs, unless requested.

MOUNTING STYLE





.100" [2.54 mm] Contact Centers, .610" [15.49 mm] Insulator Height Dip Solder/Wire Wrap/Right Angle/Card Extender

Sullins Edgcards

PART NUMBER CODING

MATERIALS (Insulator/Contact)

- E = PBT/Phosphor Bronze (Standard)
 - R = PPS/Phosphor Bronze
 - G = PA9T/Phosphor Bronze
 - H = PBT/Beryllium Copper
 - A = PPS/Beryllium Copper
 - J = PA9T/Beryllium Copper
- (Consult Factory for Other Materials)

CONTACT FINISH - RoHS Compliant

All platings are Lead Free and have .000050" Nickel underplate

	Contact Surface	Termination
B =	.000010" Gold	.000100" Pure Tin, Matte
C =	.000030" Gold	.000100" Pure Tin, Matte
G =	.000010" Gold	.000005" Gold
Y =	.000030" Gold	.000005" Gold
	Contact Surface	Overall Plating
S =	.000010" Gold	.000010" Gold
M =	.000030" Gold	.000010" Gold
E =	.000100" Pure Tin, Matte	.000100" Pure Tin, Matte

CONTACT CENTERS

C = .100" [2.54mm]

NUMBER OF CONTACT POSITIONS

See Chart Below

READOUT (Opposite Page)

- D = Dual
- H = Half Loaded

E B C 70 D CM H - Sxxx

MODIFICATION CODE (Consult Factory)

- OMIT FORT STANDARD
- S189 = .200" [5.08mm] Row to Row on Right Angle
- S288* = Card Extender Accepts .062" [1.57] PCB
- * Not Required on KR or KN Terminations

MOUNTING STYLE (Opposite Page)

- H = Clearance Holes
- I = Threaded Inserts
- S = Side Mounting
- N = No Mounting
- D,W = Flush Mounting
- T,X = Flush Mounting With Threaded Inserts

TERMINATION TYPE (Opposite Page)

Hairpin Bellows - Available with B or C plating and Phosphor Bronze Only

- CS = .025" [.64mm] Square Dip Solder
- CM = .025 [.64mm] Square Wire Wrap
- CA, CB, CC = .025" [.64mm] Square Right Angle
- CW, CT = .015" x .025" [.38 x .64] Dip Solder

Loop Bellows

- RS = .025" [0.64mm] Square Dip Solder
- CK, TK = .026" [0.66mm] Round Dip Solder
- RM = .025" [0.64mm] Square Wire Wrap
- TA, TB, TM = .025" [.64mm] Square Right Angle

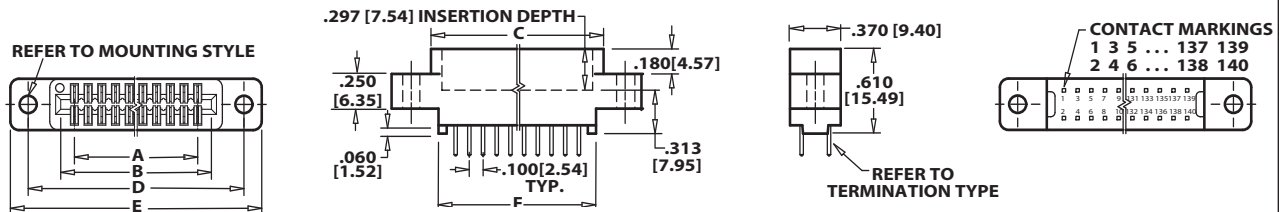
Cantilever Bellows - Available in Y, B, or C plating Only

Not Available with R or A Materials

- KS, KD = .025" [.64mm] Square Dip Solder
- KM = .025 [.64mm] Square Wire Wrap
- KA, KE, KU, KJ = .025" [.64mm] Square Right Angle
- KR, KN = .025" [.64mm] Square Card Extender

DIMENSIONS

Dimensions in [] are in millimeters, all others are in inches.



Tolerances with PPS Insulator Material may vary slightly due to shrinkage differential; Consult Factory.

POSITIONS/ CONTACTS	INCHES						[MILLIMETERS]					
	A±.008	B±.008	C±.015	D±.010	E±.020	F±.015	A±0.20	B±0.20	C±0.38	D±0.25	E±0.51	F±0.38
06/12	0.500	0.700	0.860	1.175	1.435	0.750	12.70	17.78	21.84	29.85	36.45	19.05
07/14*	0.600	0.800	0.960	1.275	1.535	0.850	15.24	20.32	24.38	32.39	38.99	21.59
08/16	0.700	0.900	1.060	1.375	1.635	0.950	17.78	22.86	26.92	34.93	41.53	24.13
10/20	0.900	1.100	1.260	1.575	1.835	1.150	22.86	27.94	32.00	40.01	46.61	29.21
12/24	1.100	1.300	1.460	1.775	2.035	1.350	27.94	33.02	37.08	45.09	51.69	34.29
13/26	1.200	1.400	1.560	1.875	2.135	1.450	30.48	35.56	39.62	47.63	54.23	36.83
15/30	1.400	1.600	1.760	2.075	2.335	1.650	35.56	40.64	44.70	52.71	59.31	41.91
17/34	1.600	1.800	1.960	2.275	2.535	1.850	40.64	45.72	49.78	57.79	64.39	46.99
18/36	1.700	1.900	2.060	2.375	2.635	1.950	43.18	48.26	52.32	60.33	66.93	49.53
20/40	1.900	2.100	2.260	2.575	2.835	2.150	48.26	53.34	57.40	65.41	72.01	54.61
22/44	2.100	2.300	2.460	2.775	3.035	2.350	53.34	58.42	62.48	70.49	77.09	59.69
24/48	2.300	2.500	2.660	2.975	3.235	2.550	58.42	63.50	67.56	75.57	82.17	64.77
25/50	2.400	2.600	2.760	3.075	3.335	2.650	60.96	66.04	70.10	78.11	84.71	67.31
28/56	2.700	2.900	3.060	3.375	3.635	2.950	68.58	73.66	77.72	85.73	92.33	74.93
30/60	2.900	3.100	3.260	3.575	3.835	3.150	73.66	78.74	82.80	90.81	97.41	80.01
31/62	3.000	3.200	3.360	3.675	3.935	3.250	76.20	81.28	85.34	93.35	99.95	82.55
35/70	3.400	3.600	3.760	4.075	4.335	3.650	86.36	91.44	95.50	103.51	110.11	92.71
36/72	3.500	3.700	3.860	4.175	4.435	3.750	88.90	93.98	98.04	106.05	112.65	95.25
40/80	3.900	4.100	4.260	4.575	4.835	4.150	99.06	104.14	108.20	116.21	122.81	105.41
43/86	4.200	4.400	4.560	4.875	5.135	4.450	106.68	111.76	115.82	123.83	130.43	113.03
44/88	4.300	4.500	4.660	4.975	5.235	4.550	109.22	114.30	118.36	126.37	132.97	115.57
49/98*	4.800	5.000	5.160	5.475	5.735	5.050	121.92	127.00	131.06	139.07	145.67	128.27
50/100	4.900	5.100	5.260	5.575	5.835	5.150	124.46	129.54	133.60	141.61	148.21	130.81
55/110	5.400	5.600	5.760	6.075	6.335	5.650	137.16	142.24	146.30	154.31	160.91	143.51
60/120	5.900	6.100	6.260	6.575	6.835	6.150	149.86	154.94	159.00	167.01	173.61	156.21
61/122	6.000	6.200	6.360	6.675	6.935	6.250	152.40	157.48	161.54	169.55	176.15	158.75
65/130	6.400	6.600	6.760	7.075	7.335	6.650	162.56	167.64	171.70	179.71	186.31	168.91
70/140	6.900	7.100	7.260	7.575	7.835	7.150	175.26	180.34	184.40	192.41	199.01	181.61
80/160*	7.900	8.100	8.260	8.575	8.835	8.150	200.66	205.74	209.80	217.81	224.41	207.01
90/180*	8.900	9.100	9.260	9.575	9.835	9.150	226.06	231.14	235.20	243.21	249.81	232.41
100/200*	9.900	10.100	10.260	10.575	10.835	10.150	251.46	256.54	260.60	268.61	275.21	257.81

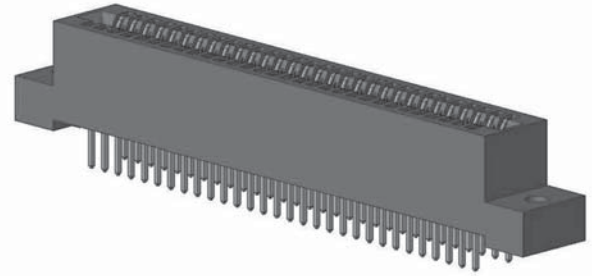
* Consult factory for availability.



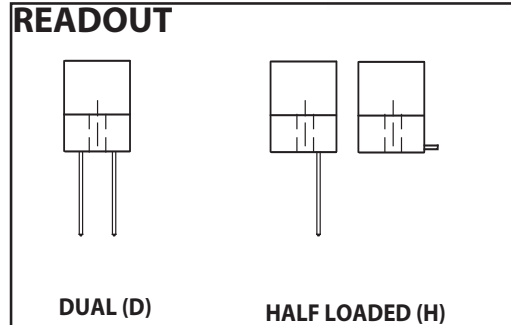
**.100" [2.54 mm] Contact Centers, .610" [15.49 mm] Insulator Height, Dip Solder/
Wire Wrap/Right Angle/Card Extender for .093"[2.36] or .125"[3.18] Mating PCB**

SPECIFICATIONS

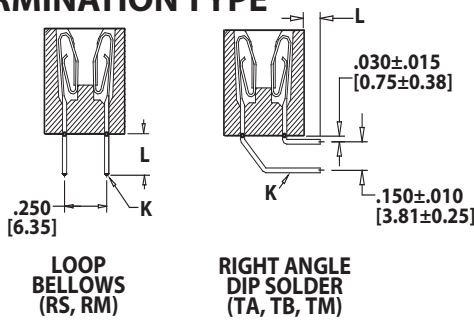
- Accommodates .093" ± .008" [2.36 ± .20] or .125" ± .008" [3.18 ± .20] mating PC board (Consult factory for .031" ± .008" [.79 ± .20] boards)
- PBT, PPS or PA9T insulator
- Molded-in key available
- 3 amp current rating per contact
- 30 milli ohm maximum at rated current



Sullins Edgecards

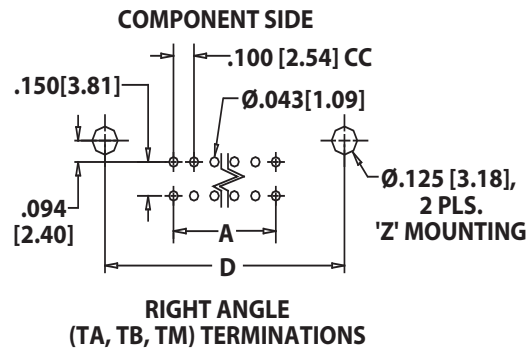
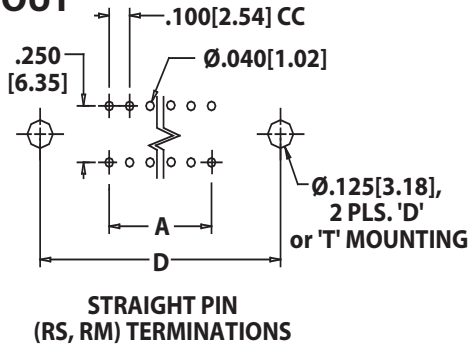


TERMINATION TYPE

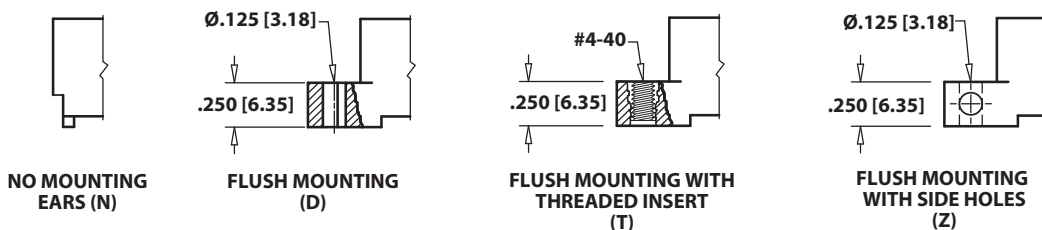


TERMINATION TYPE		POST CROSS SECTION (K)	POST LENGTH L ±.025[.64]	FITS MIN. HOLE SIZE
RS	Dip Solder	.025[.64] SQUARE	.190 [4.83]	.040 [1.02]
RM	Wire Wrap	.025[.64] SQUARE	.560 [14.20]	.040 [1.02]
TA	Right Angle	.025[.64] SQUARE	.100 [2.54]	.043 [1.09]
TB	Right Angle	.025[.64] SQUARE	.180 [4.57]	.043 [1.09]
TM	Right Angle	.025[.64] SQUARE	.250 [6.35]	.043 [1.09]

PCB LAYOUT



MOUNTING STYLE





**.100" [2.54 mm] Contact Centers, .610" [15.49 mm] Insulator Height, Dip Solder/
Wire Wrap/Right Angle/Card Extender for .093" [2.36] or .125" [3.18] Mating PCB**

PART NUMBER CODING

MATERIALS (Insulator /Contact)

- E = PBT/Phosphor Bronze
- R = PPS/Phosphor Bronze
- G = PA9T/Phosphor Bronze
- H = PBT/Beryllium Copper
- A = PPS/Beryllium Copper
- J = PA9T/Beryllium Copper
- (Consult Factory for Other Materials)

CONTACT FINISH - RoHS Compliant

All platings are Lead Free and have .000050" Nickel underplate

	Contact Surface	Termination
B =	.00010" Gold	.000100" Pure Tin, Matte
C =	.000030" Gold	.000100" Pure Tin, Matte
G =	.000010" Gold	.000005" Gold
Y =	.000030" Gold	.000005" Gold
	Contact Surface	Overall Plating
S =	.000010" Gold	.000010" Gold
M =	.000030" Gold	.000010" Gold
E =	.000100" Pure Tin, Matte	.000100" Pure Tin, Matte

E B C 70 D RM D - S273

MODIFICATION CODE (Consult Factory)

- S273 = FOR .093" ± .008" [2.36 ± .20]
THICK MATING PCB
- S664 = FOR .125" ± .008" [3.18 ± .20]
THICK MATING PCB

MOUNTING STYLE (Opposite Page)

- N = No Mounting
- D = Flush Mounting
- T = Flush Mounting With Threaded Inserts
- Z = Flush Mounting With Side Holes

TERMINATION TYPE (Opposite Page)

- RS = .025" [0.64mm] Square Dip Solder
- RM = .025" [0.64mm] Square Wire Wrap
- TA, TB, TM = .025" [0.64mm] Square Right Angle

READOUT (Opposite Page)

- D = Dual
- H = Half Loaded

NUMBER OF CONTACT POSITIONS

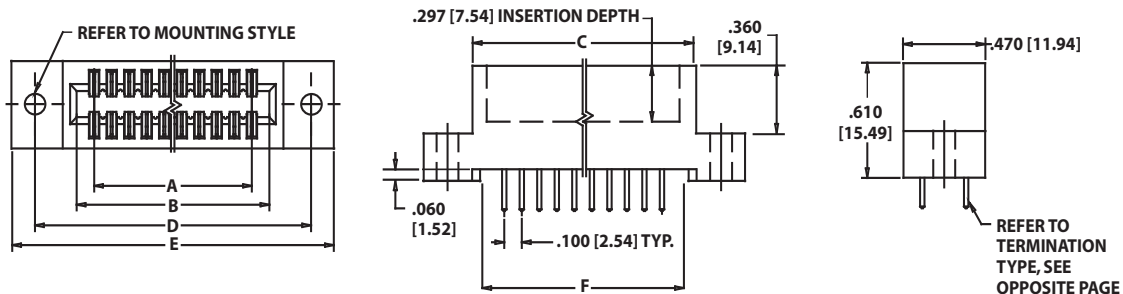
See Chart Below

CONTACT CENTERS

C = .100" [2.54mm]

DIMENSIONS

Dimensions in [] are in millimeters, all others are in inches.



Tolerances with PPS Insulator Material may vary slightly due to shrinkage differential; Consult Factory.

POSITIONS/ CONTACTS	INCHES						[MILLIMETERS]					
	A±.008	B±.008	C±.015	D±.010	E±.020	F±.015	A±0.20	B±0.20	C±0.38	D±0.25	E±0.51	F±0.38
06/12	0.500	0.700	0.860	1.175	1.435	0.750	12.70	17.78	21.84	29.85	36.45	19.05
07/14*	0.600	0.800	0.960	1.275	1.535	0.850	15.24	20.32	24.38	32.39	38.99	21.59
08/16*	0.700	0.900	1.060	1.375	1.635	0.950	17.78	22.86	26.92	34.93	41.53	24.13
10/20	0.900	1.100	1.260	1.575	1.835	1.150	22.86	27.94	32.00	40.01	46.61	29.21
12/24	1.100	1.300	1.460	1.775	2.035	1.350	27.94	33.02	37.08	45.09	51.69	34.29
15/30*	1.400	1.600	1.760	2.075	2.335	1.650	35.56	40.64	44.70	52.71	59.31	41.91
17/34*	1.600	1.800	1.960	2.275	2.535	1.850	40.64	45.72	49.78	57.79	64.39	46.99
18/36	1.700	1.900	2.060	2.375	2.635	1.950	43.18	48.26	52.32	60.33	66.93	49.53
20/40*	1.900	2.100	2.260	2.575	2.835	2.150	48.26	53.34	57.40	65.41	72.01	54.61
22/44	2.100	2.300	2.460	2.775	3.035	2.350	53.34	58.42	62.48	70.49	77.09	59.69
24/48*	2.300	2.500	2.660	2.975	3.235	2.550	58.42	63.50	67.56	75.57	82.17	64.77
25/50*	2.400	2.600	2.760	3.075	3.335	2.650	60.96	66.04	70.10	78.11	84.71	67.31
28/56*	2.700	2.900	3.060	3.375	3.635	2.950	68.58	73.66	77.72	85.73	92.33	74.93
30/60	2.900	3.100	3.260	3.575	3.835	3.150	73.66	78.74	82.80	90.81	97.41	80.01
31/62*	3.000	3.200	3.360	3.675	3.935	3.250	76.20	81.28	85.34	93.35	99.95	82.55
35/70	3.400	3.600	3.760	4.075	4.335	3.650	86.36	91.44	95.50	103.51	110.11	92.71
36/72	3.500	3.700	3.860	4.175	4.435	3.750	88.90	93.98	98.04	106.05	112.65	95.25
40/80*	3.900	4.100	4.260	4.575	4.835	4.150	99.06	104.14	108.20	116.21	122.81	105.41
43/86*	4.200	4.400	4.560	4.875	5.135	4.450	106.68	111.76	115.82	123.83	130.43	113.03
44/88*	4.300	4.500	4.660	4.975	5.235	4.550	109.22	114.30	118.36	126.37	132.97	115.57
49/98*	4.800	5.000	5.160	5.475	5.735	5.050	121.92	127.00	131.06	139.07	145.67	128.27
50/100	4.900	5.100	5.260	5.575	5.835	5.150	124.46	129.54	133.60	141.61	148.21	130.81
55/110	5.400	5.600	5.760	6.075	6.335	5.650	137.16	142.24	146.30	154.31	160.91	143.51
60/120*	5.900	6.100	6.260	6.575	6.835	6.150	149.86	154.94	159.00	167.01	173.61	156.21
61/122	6.000	6.200	6.360	6.675	6.935	6.250	152.40	157.48	161.54	169.55	176.15	158.75
65/130*	6.400	6.600	6.760	7.075	7.335	6.650	162.56	167.64	171.70	179.71	186.31	168.91
70/140	6.900	7.100	7.260	7.575	7.835	7.150	175.26	180.34	184.40	192.41	199.01	181.61

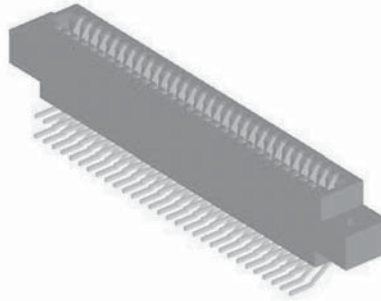
* Consult factory for availability.



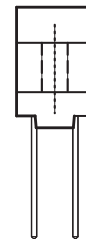
.100" [2.54 mm] Contact Centers, .610" [15.49 mm] Profile, .400" [10.16 mm] Wide Body for .062" or .093" Mating PCB, Dip Solder/Wire Wrap/Right Angle/Card Extender

SPECIFICATIONS

- Accommodates .062" ± .008 [1.57 ± .20] or .093" ± .008" [2.36 ± .20] PC board
- PPS, PBT or PA9T insulator
- 3 amp current rating per contact
- 30 milli ohm maximum at rated current



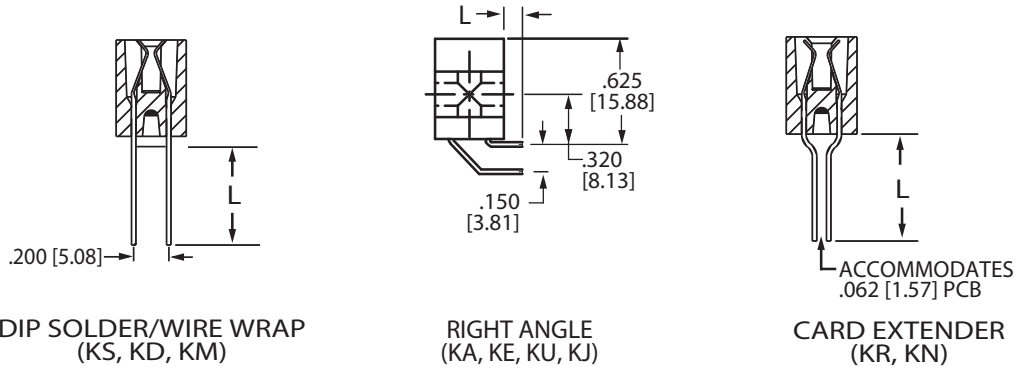
READOUT



DUAL (D)

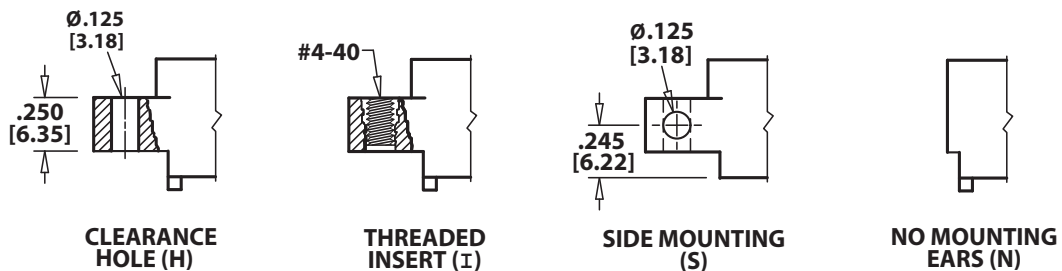
Sullins Edgecards

TERMINATION TYPE



TERMINATION	TERMINATION TYPE	POST LENGTH L ±.025 [.64]	FITS MIN. HOLE SIZE	STANDOFF
KD	DIP SOLDER	.160 [4.06]	.043 [1.09]	YES
KS	DIP SOLDER	.190 [4.83]	.040 [1.02]	YES
KM	WIRE WRAP	.560 [14.22]	.040 [1.02]	YES
KA	RIGHT ANGLE	.100 [2.54]	.043 [1.09]	NO
KE	RIGHT ANGLE	.180 [4.57]	.043 [1.09]	NO
KU	RIGHT ANGLE	.250 [6.35]	.043 [1.09]	NO
KJ	RIGHT ANGLE	.500 [12.70]	.043 [1.09]	NO
KR	CARD EXTENDER	.235 [5.97]	N/A	NO
KN	CARD EXTENDER	.605 [15.37]	N/A	NO

MOUNTING STYLE





.100" [2.54 mm] Contact Centers, .610" [15.49 mm] Profile, .400" [10.16 mm] Wide Body for .062" or .093" Mating PCB, Dip Solder/Wire Wrap/Right Angle/Card Extender

Sullins Edgecards

PART NUMBER CODING

MATERIALS (Insulator /Contact)

- E = PBT/Phosphor Bronze
- R = PPS/Phosphor Bronze
- G = PA9T/Phosphor Bronze
- H = PBT/Beryllium Copper
- A = PPS/Beryllium Copper
- J = PA9T/Beryllium Copper
- (Consult Factory for Other Materials)

CONTACT FINISH - RoHS Compliant

All platings are Lead Free and have .000050" Nickel underplate

Contact Surface	Termination
B = .000010" Gold	.000100" Pure Tin, Matte
C = .000030" Gold	.000100" Pure Tin, Matte
Y = .000030" Gold	.000005" Gold

CONTACT CENTERS

C = .100" [2.54mm]

NUMBER OF CONTACT POSITIONS

See Chart Below

A B C 30 D KE H - S1191

MODIFICATION CODE (Consult Factory)

- S1243 = For .062" ± .008 [1.57" ± .20] PCB
- S1191 = For .093" ± .008" [2.36 ± .20] PCB

MOUNTING STYLE (Opposite Page)

- H = Clearance Holes
- I = Threaded Inserts
- S = Side Mounting
- N = No Mounting

TERMINATION TYPE (Opposite Page)

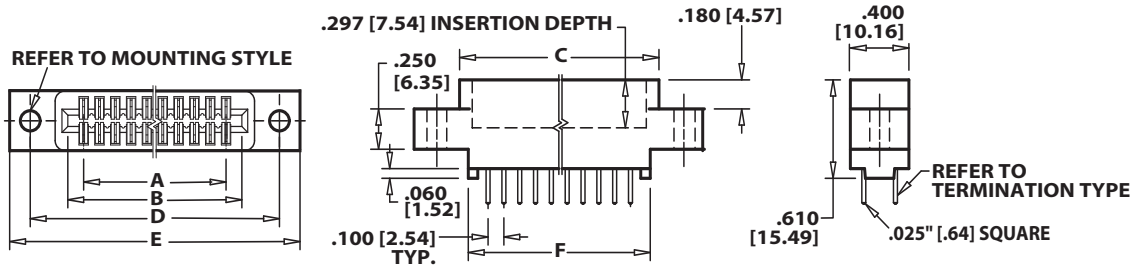
- KD, KS = .025" [.64] Square Dip Solder
- KM = .025" [.64] Square Wire Wrap
- KA, KE, KU, KJ = .025" [.64mm] Square Right Angle
- KN, KR = .025" [.64mm] Square Card Extender

READOUT (Opposite Page)

D = Dual

DIMENSIONS

Dimensions in [] are in millimeters, all others are in inches.



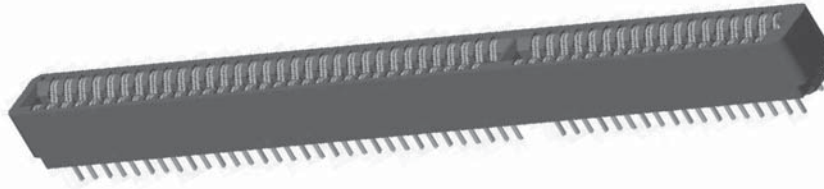
Tolerances with PPS Insulator Material may vary slightly due to shrinkage differential: Consult Factory.

POSITIONS/ CONTACTS	INCHES						[MILLIMETERS]					
	A±.008	B±.012	C±.015	D±.010	E±.020	F±.015	A±0.20	B±0.30	C±0.38	D±0.25	E±0.51	F±0.38
06/12*	0.500	0.700	0.860	1.175	1.435	0.742	12.70	17.78	21.84	29.85	36.45	18.85
07/14*	0.600	0.800	0.960	1.275	1.535	0.842	15.24	20.32	24.38	32.39	38.99	21.39
08/16*	0.700	0.900	1.060	1.375	1.635	0.942	17.78	22.86	26.92	34.93	41.53	23.93
10/20*	0.900	1.100	1.260	1.575	1.835	1.142	22.86	27.94	32.00	40.01	46.61	29.01
12/24*	1.100	1.300	1.460	1.775	2.035	1.342	27.94	33.02	37.08	45.09	51.69	34.09
13/26*	1.200	1.400	1.560	1.875	2.135	1.442	30.48	35.56	39.62	47.63	54.23	36.63
15/30*	1.400	1.600	1.760	2.075	2.335	1.642	35.56	40.64	44.70	52.71	59.31	41.71
17/34*	1.600	1.800	1.960	2.275	2.535	1.842	40.64	45.72	49.78	57.79	64.39	46.79
18/36*	1.700	1.900	2.060	2.375	2.635	1.942	43.18	48.26	52.32	60.33	66.93	49.33
20/40	1.900	2.100	2.260	2.575	2.835	2.142	48.26	53.34	57.40	65.41	72.01	54.41
22/44	2.100	2.300	2.460	2.775	3.035	2.342	53.34	58.42	62.48	70.49	77.09	59.49
24/48*	2.300	2.500	2.660	2.975	3.235	2.542	58.42	63.50	67.56	75.57	82.17	64.57
25/50*	2.400	2.600	2.760	3.075	3.335	2.642	60.96	66.04	70.10	78.11	84.71	67.11
28/56*	2.700	2.900	3.060	3.375	3.635	2.942	68.58	73.66	77.72	85.73	92.33	74.73
30/60	2.900	3.100	3.260	3.575	3.835	3.142	73.66	78.74	82.80	90.81	97.41	79.81
31/62*	3.000	3.200	3.360	3.675	3.935	3.242	76.20	81.28	85.34	93.35	99.95	82.35
35/70*	3.400	3.600	3.760	4.075	4.335	3.642	86.36	91.44	95.50	103.51	110.11	92.51
36/72*	3.500	3.700	3.860	4.175	4.435	3.742	88.90	93.98	98.04	106.05	112.65	95.05
40/80*	3.900	4.100	4.260	4.575	4.835	4.142	99.06	104.14	108.20	116.21	122.81	105.21
43/86	4.200	4.400	4.560	4.875	5.135	4.442	106.68	111.76	115.82	123.83	130.43	112.83
44/88*	4.300	4.500	4.660	4.975	5.235	4.542	109.22	114.30	118.36	126.37	132.97	115.37
49/98*	4.800	5.000	5.160	5.475	5.735	5.042	121.92	127.00	131.06	139.07	145.67	128.07
50/100	4.900	5.100	5.260	5.575	5.835	5.142	124.46	129.54	133.60	141.61	148.21	130.61
55/110	5.400	5.600	5.760	6.075	6.335	5.642	137.16	142.24	146.30	154.31	160.91	143.31
60/120*	5.900	6.100	6.260	6.575	6.835	6.142	149.86	154.94	159.00	167.01	173.61	156.01
61/122*	6.000	6.200	6.360	6.675	6.935	6.242	152.40	157.48	161.54	169.55	176.15	158.55
65/130*	6.400	6.600	6.760	7.075	7.335	6.642	162.56	167.64	171.70	179.71	186.31	168.71
70/140	6.900	7.100	7.260	7.575	7.835	7.142	175.26	180.34	184.40	192.41	199.01	181.41

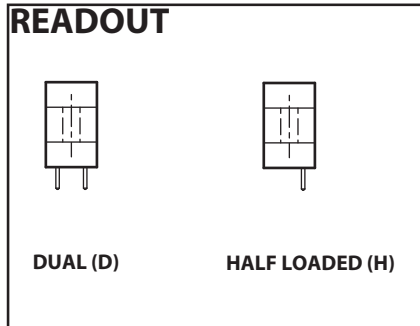
* Consult Factory For Availability



**.100" [2.54 mm] Contact Centers, .610" [15.49 mm] Insulator Height,
[ISA] Dip Solder/Wire Wrap/Right Angle**

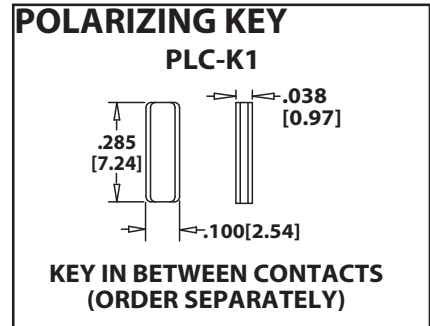


Sullins Edgecards



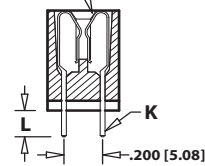
SPECIFICATIONS

- Accommodates .062" ± .008" [1.57 ± .20] PC board
- PBT or PA9T insulator
- Molded-in key available
- 3 amp current rating per contact
- 30 milli ohm maximum at rated current

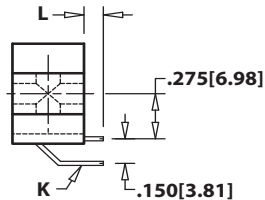
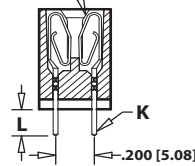


TERMINATION TYPE

HAIRPIN BELLOWS



LOOP BELLOWS



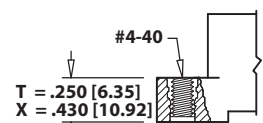
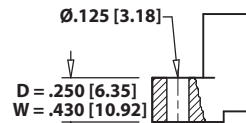
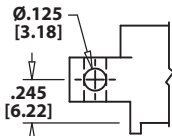
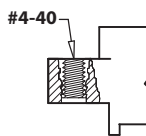
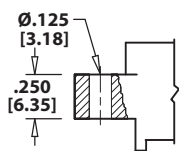
HAIRPIN BELLOWS (CS,CM,CW,CT)

LOOP BELLOWS (TK,RS,RM)

RIGHT ANGLE, DIP SOLDER (CA,CB,CC,TA,TB,TM) -S605 MODIFICATION

HAIRPIN BELLOWS	LOOP	TERMINATION TYPE	POST CROSS SECTION K	POST LENGTH L .025 [.64]	FITS MIN. HOLE SIZE
CM	TK, CK	DIP SOLDER	.026 [.66] ROUND	.190 [4.83]	.030 [0.76]
	RS	DIP SOLDER	.025 [.64] SQUARE	.190 [4.83]	.040 [1.02]
CA	RM	WIRE WRAP	.025 [.64] SQUARE	.560 [14.20]	.040 [1.02]
CB	TA	RIGHT ANGLE	.025 [.64] SQUARE	.100 [2.54]	.043 [1.09]
CC	TB	RIGHT ANGLE	.025 [.64] SQUARE	.180 [4.57]	.043 [1.09]
CW	TM	RIGHT ANGLE	.025 [.64] SQUARE	.250 [6.35]	.043 [1.09]
CT		DIP SOLDER	.015 X .025 [.38 X .64]	.125 [3.18]	.035 [0.76]
CS		DIP SOLDER	.015 X .025 [.38 X .64]	.170 [4.32]	.035 [0.76]
		DIP SOLDER	.025 [.64] SQUARE	.160 [4.06]	.040 [1.02]

MOUNTING STYLE





.100" [2.54 mm] Contact Centers, .610" [15.49 mm] Insulator Height, [ISA] Dip Solder/Wire Wrap/Right Angle

Sullins Edgecards

PART NUMBER CODING

E B C 49 D CW N - S420

MATERIALS (Insulator/Contact)
 E = PBT/Phosphor Bronze (Standard)
 G = PA9T/Phosphor Bronze
 H = PBT/Beryllium Copper
 J = PA9T/Beryllium Copper
 (Consult Factory for Other Materials)

CONTACT FINISH - RoHS Compliant
 All platings are Lead Free and have .000050" Nickel underplate

	Contact Surface	Termination
B	.000010" Gold	.000100" Pure Tin, Matte
C	.000030" Gold	.000100" Pure Tin, Matte
G	.000010" Gold	.000005" Gold
Y	.000030" Gold	.000005" Gold

	Contact Surface	Overall Plating
S	.000010" Gold	.000010" Gold
M	.000030" Gold	.000010" Gold
E	.000100" Pure Tin, Matte	.000100" Pure Tin, Matte

CONTACT CENTERS
 C = .100" [2.54mm]

NUMBER OF CONTACT POSITIONS
 18, 31 or 49 (31/18)

READOUT (Opposite page)
 D = Dual
 H = Half Loaded

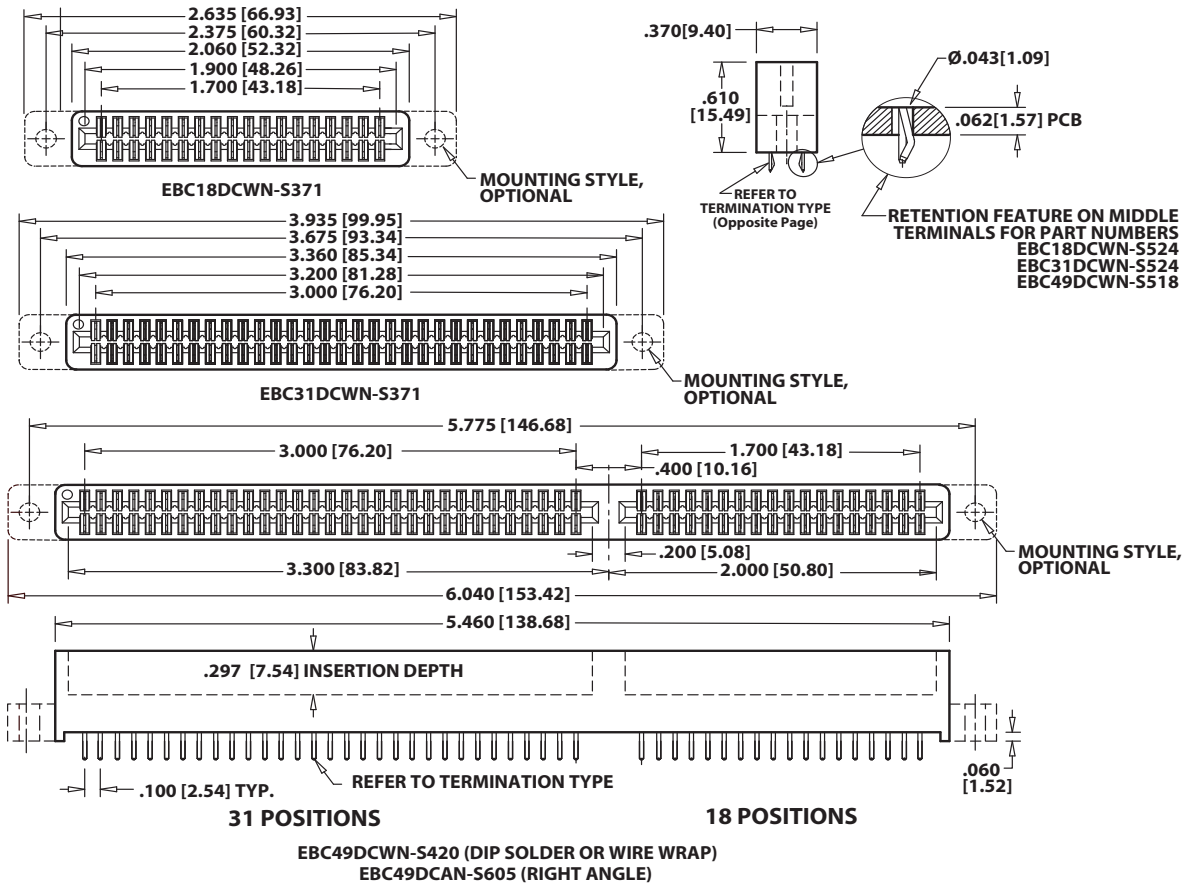
MODIFICATION CODE (Consult Factory)
ISA WITH RETENTION FEATURE
 -S524 = 18 Positions
 -S524 = 31 Positions
 -S518 = 49 Positions (31/18)
ISA WITHOUT RETENTION FEATURE
 -S371 = 18 Positions
 -S371 = 31 Positions
 -S420 = 49 Positions (31/18) Dip Solder or Wire Wrap
 -S605 = 49 Positions (31/18) Right Angle

MOUNTING STYLE (Opposite Page)
 H = Clearance Holes
 I = Threaded Inserts
 S = Side Mounting
 N = No Mounting
 D,W = Flush Mounting
 T,X = Flush Mounting With Threaded Inserts

TERMINATION TYPE (Opposite Page)
Hairpin Bellows *
 CS = .025" [0.64mm] Square Dip Solder
 CM = .025" [0.64mm] Square Wire Wrap
 CA, CB, CC = .025" [0.64mm] Square Right Angle
 CW, CT = .015" [0.38mm] x .025" [0.64mm] Dip Solder
Loop Bellows
 RS = .025" [0.64mm] Square Dip Solder
 TK = .026" [0.66mm] Round Dip Solder
 RM = .025" [0.64mm] Square Wire Wrap
 TA, TB, TM = .025" [0.64mm] Square Right Angle
 * Available in B or C Plating and Phosphor Bronze only
 Consult Factory for Cantilever Terminations

DIMENSIONS

Dimensions in [] are in millimeters, all others are in inches.

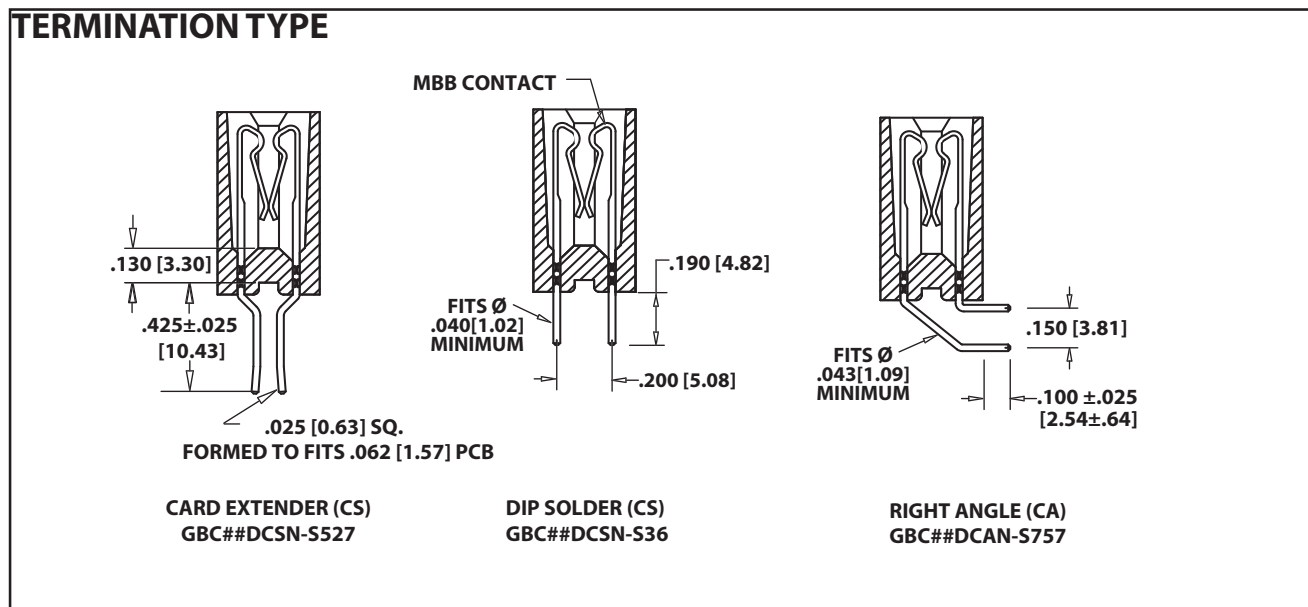
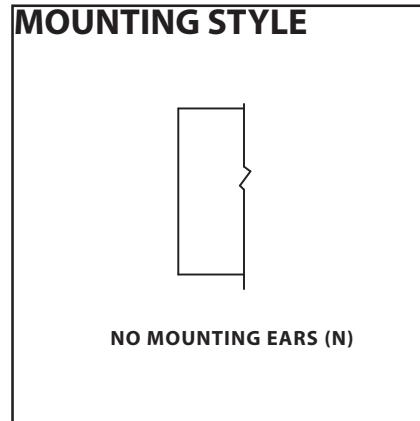
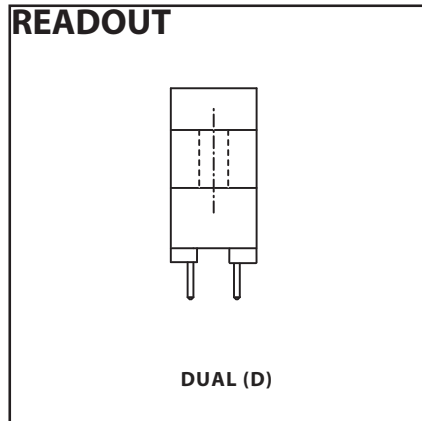
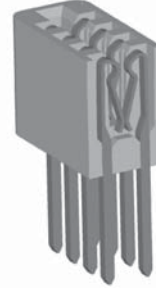




.100" [2.54 mm] Contact Centers, .690" [17.52 mm] Insulator Height
Make Before Break Dip Solder/Card Extender/Right Angle

SPECIFICATIONS

- Accommodates $.062" \pm .008"$ [1.57 ± .20] PC board
- PA9T insulator
- Molded-in key available
- 3 amp current rating per contact
- 30 milli ohm maximum at rated current





**.100" [2.54 mm] Contact Centers, .690" [17.52 mm] Insulator Height
Make Before Break Dip Solder/Card Extender/Right Angle**

Sullins Edgecards

PART NUMBER CODING

G B C 10 D CS N - S36

MATERIALS (INSULATOR/CONTACT)
 G = PA9T/Phosphor Bronze
 (Consult Factory for Other Materials)

CONTACT FINISH - RoHS Compliant
All platings are Lead Free and have .000050" Nickel underplate
Contact Surface Termination
 B = .000010" Gold .000100" Pure Tin, Matte
 C = .000030" Gold .000100" Pure Tin, Matte

CONTACT CENTERS
 C = .100" [2.54mm]

NUMBER OF CONTACT POSITIONS
 See Chart Below

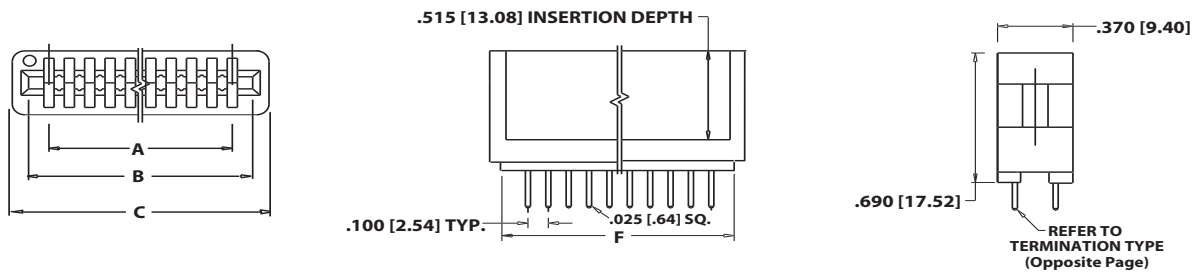
MODIFICATION CODE (Consult Factory)
 -S757 = MBB, .150" [3.81mm] Row to Row on Right Angle
 -S527 = MBB, Card Extender Accepts .062" [1.57] PCB
 -S36 = MBB, Straight Dip-Solder

MOUNTING STYLE
 N = No Mounting

TERMINATION TYPE (Opposite Page)
Hairpin Bellows
 CS = Dip Solder .025" [.64] Square
 CA = Right Angle, .100" [2.54]

READOUT (Opposite Page)
 D = Dual

DIMENSIONS Dimensions in [] are in millimeters, all others are in inches.



POSITIONS/ CONTACTS	INCHES				[MILLIMETERS]			
	A±.008	B±.008	C±.015	F±.015	A±0.20	B±0.20	C±0.38	F±0.38
02/04*	0.100	0.300	0.460	0.350	2.54	7.62	11.68	8.89
04/08*	0.300	0.500	0.660	0.550	7.62	12.70	16.76	13.97
06/12*	0.500	0.700	0.860	0.750	12.70	17.78	21.84	19.05
08/16*	0.700	0.900	1.060	0.950	17.78	22.86	26.92	24.13
10/20*	0.900	1.100	1.260	1.150	22.86	27.94	32.00	29.21
12/24	1.100	1.300	1.460	1.350	27.94	33.02	37.08	34.29
14/28	1.300	1.500	1.660	1.550	33.02	38.10	42.16	39.37
16/32*	1.500	1.700	1.860	1.750	38.10	43.18	47.24	44.45
18/36*	1.700	1.900	2.060	1.950	43.18	48.26	52.32	49.53
20/40*	1.900	2.100	2.260	2.150	48.26	53.34	57.40	54.61
22/44*	2.100	2.300	2.460	2.350	53.34	58.42	62.48	59.69
24/48*	2.300	2.500	2.660	2.550	58.42	63.50	67.56	64.77
26/52*	2.500	2.700	2.860	2.750	63.50	68.58	72.64	69.85
28/56*	2.700	2.900	3.060	2.950	68.58	73.66	77.72	74.93
30/60*	2.900	3.100	3.260	3.150	73.66	78.74	82.80	80.01
32/64*	3.100	3.300	3.460	3.350	78.74	83.82	87.88	85.09
34/68*	3.300	3.500	3.660	3.550	83.82	88.90	92.96	90.17
36/72*	3.500	3.700	3.860	3.750	88.90	93.98	98.04	95.25
38/76*	3.700	3.900	4.060	3.950	93.98	99.06	103.12	100.33
40/80*	3.900	4.100	4.260	4.150	99.06	104.14	108.20	105.41
42/84*	4.100	4.300	4.460	4.350	104.14	109.22	113.28	110.49
44/88*	4.300	4.500	4.660	4.550	109.22	114.30	118.36	115.57
46/92*	4.500	4.700	4.860	4.750	114.30	119.38	123.44	120.65
48/96*	4.700	4.900	5.060	4.950	119.38	124.46	128.52	125.73
50/100	4.900	5.100	5.260	5.150	124.46	129.54	133.60	130.81

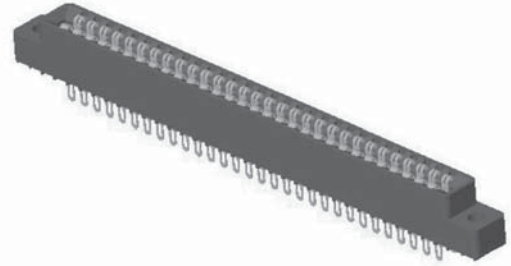
* Consult factory for availability.



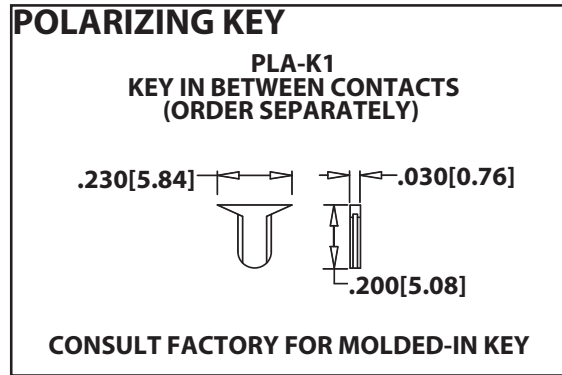
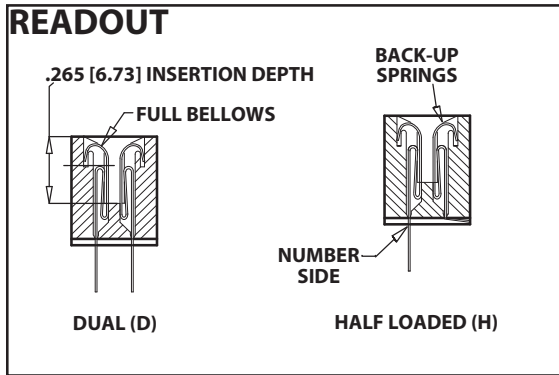
.125" [3.18 mm] Contact Centers, .431" [10.95 mm] Insulator Height
Dip Solder/Eyelet/Right Angle for .062" [1.57] or .031" [0.79] Mating PCB

SPECIFICATIONS

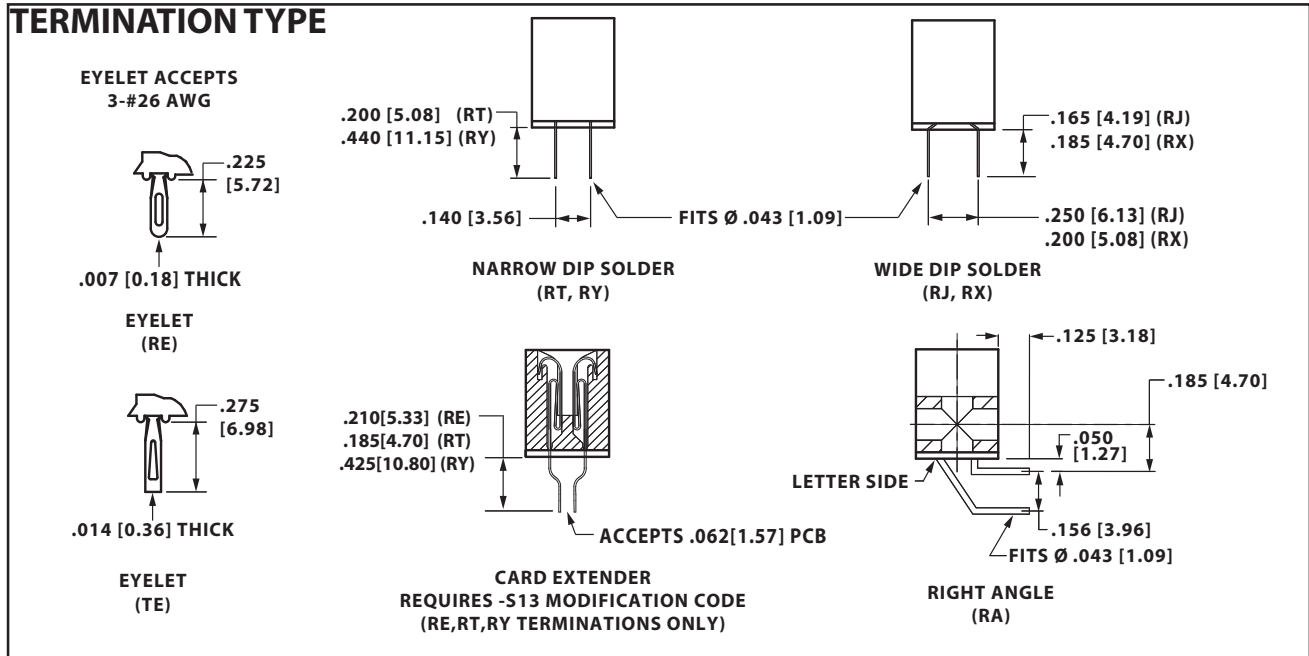
- Accommodates .062" ± .008" [1.57 ± .20] PC board (Consult factory for .031" ± .008" [.79 ± .20], .093" ± .008" [2.36 ± .20] and .125" ± .008" [3.18 ± .20] boards)
- Molded-in key available
- 3 amp current rating per contact
- 30 milli ohm maximum at rated current



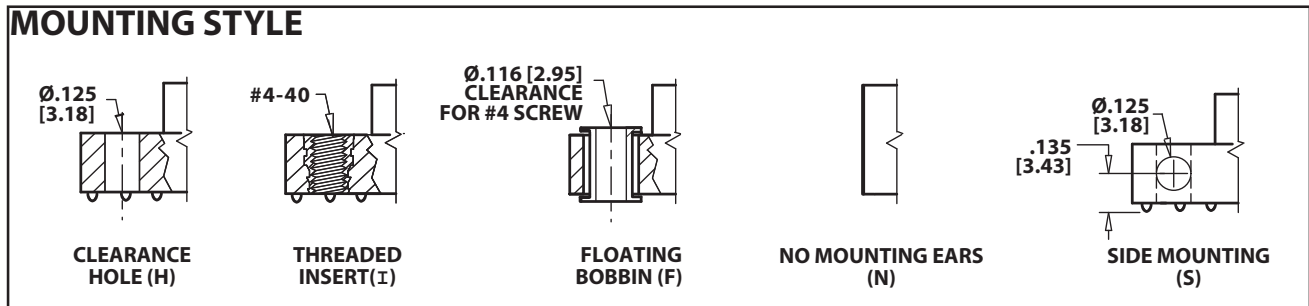
Sullins Edgecards



TERMINATION TYPE



MOUNTING STYLE





**.125" [3.18 mm] Contact Centers, .431" [10.95 mm] Insulator Height
Dip Solder/Eyelet/Right Angle for .062" [1.57] or .031" [0.79] Mating PCB**

Sullins Edgcards

PART NUMBER CODING

E B A 43 D R E H - Sxxx

MATERIALS (Insulator/Contact)

- E = PBT/Phosphor Bronze (Standard)
- R = PPS/Phosphor Bronze
- G = PA9T/Phosphor bronze
- H = PBT/Beryllium Copper
- A = PPS/Beryllium Copper
- J = PA9T/Beryllium Copper
- *F = PPS/Spinodal (Overall Gold Plating Only)
Consult Factory for Special Soldering Guidelines
- *C = PPS/Beryllium Nickel (Overall Gold Plating Only)
- *W = PEEK/Beryllium Nickel (Overall Gold Plating Only)
- *Consult Factory for availability.

CONTACT FINISH - RoHS Compliant
All platings are Lead Free and have .000050" Nickel underplate

Contact Surface	Termination
B = .000010" Gold	.000100" Pure Tin, Matte
C = .000030" Gold	.000100" Pure Tin, Matte
G = .000010" Gold	.000005" Gold
Y = .000030" Gold	.000005" Gold
Contact Surface	Overall Plating
S = .000010" Gold	.000010" Gold
M = .000030" Gold	.000010" Gold
E = .000100" Pure Tin, Matte	.000100" Pure Tin, Matte

CONTACT CENTERS
A = .125" [3.18mm]

MODIFICATION CODE (Consult Factory)
OMIT FOR STANDARD

- S13 = Card Extender Accepts .062" [1.57] PCB (RE, RT, RY Terminations Only)
- S734 = .031" ± .008" [.79 ± .20] Thick PCB

MOUNTING STYLE (Opposite Page)

- H = .125" [3.18mm] Clearance Holes
- N = No Mounting
- S = Side Mounting
- I = Threaded Insert
- F = Floating Bobbin

TERMINATION TYPE (Opposite Page)

- RA = Right Angle
- RE = Eyelet (Standard)
- TE = Eyelet (Overall Plated Only)
- RT = .140" [3.56mm] x .200" [5.08mm] Dip Solder
- RY = .140" [3.56mm] x .440" [11.18mm] Dip Solder
- RX = .200" [5.08mm] x .185" [4.70mm] Dip Solder
- RJ = .250" [6.35mm] x .165" [4.19mm] Dip Solder

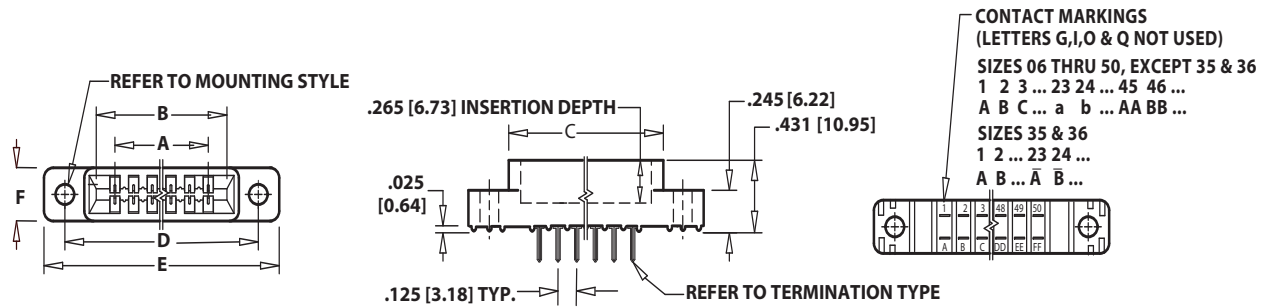
READOUT (Opposite Page)

- D = Dual
- H = Half Loaded

NUMBER OF CONTACT POSITIONS
See Chart Below

DIMENSIONS

Dimensions in [] are in millimeters, all others are in inches.



Tolerances with PPS Insulator Material may vary slightly due to shrinkage differential: Consult Factory.

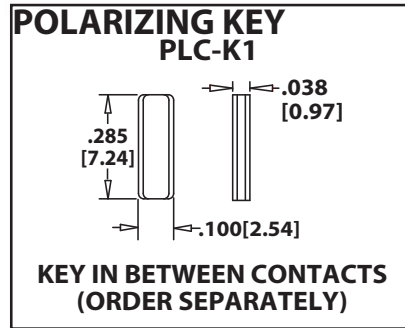
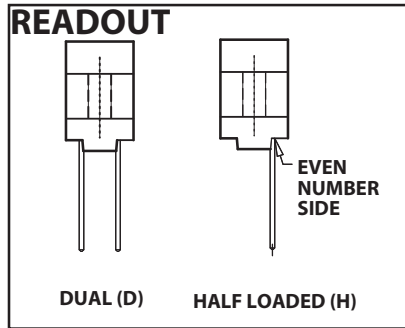
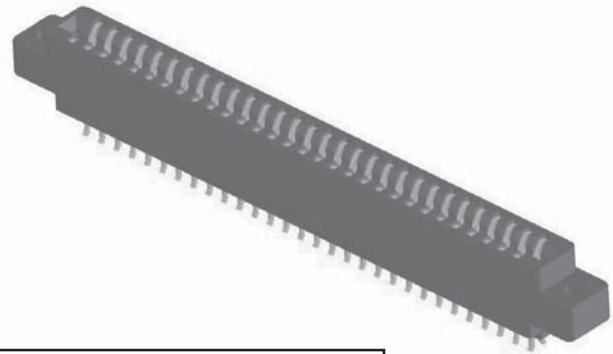
Positions/ Contacts	INCHES						[MILLIMETERS]					
	A±.008	B±.008	C±.015	D±.010	E±.020	F±.005	A±0.20	B±0.20	C±0.38	D±0.25	E±0.51	F±0.13
06/12	0.625	0.875	1.035	1.295	1.575	0.330	15.88	22.23	26.29	32.89	40.01	8.38
10/20	1.125	1.375	1.535	1.795	2.075		28.58	34.93	38.99	45.59	52.71	
14/28	1.625	1.875	2.035	2.295	2.575		41.28	47.63	51.69	58.29	65.41	
15/30	1.750	2.000	2.160	2.420	2.700		44.45	50.80	54.86	61.47	68.58	
18/36	2.125	2.375	2.535	2.795	3.075		53.98	60.33	64.39	70.99	78.11	
22/44	2.625	2.875	3.035	3.295	3.575		66.68	73.03	77.09	83.69	90.81	
28/56	3.375	3.625	3.785	4.045	4.325		85.73	92.08	96.14	102.74	109.86	
30/60	3.625	3.875	4.035	4.295	4.575		92.08	98.43	102.49	109.09	116.21	
31/62	3.750	4.000	4.160	4.420	4.700		95.25	101.60	105.66	112.27	119.38	
35/70	4.250	4.500	4.660	4.920	5.200		107.95	114.30	118.36	124.97	132.08	
36/72	4.375	4.625	4.785	5.045	5.325	111.13	117.48	121.54	128.14	135.26		
37/74	4.500	4.750	4.910	5.170	5.450	114.30	120.65	124.71	131.32	138.43		
40/80	4.875	5.125	5.285	5.545	5.825	0.370	123.83	130.18	134.24	140.84	147.96	9.40
43/86	5.250	5.500	5.660	5.920	6.200		133.35	139.70	143.76	150.37	157.48	
44/88	5.375	5.625	5.785	6.045	6.325		136.53	142.88	146.94	153.54	160.66	
49/98	6.000	6.250	6.410	6.670	6.950		152.40	158.75	162.81	169.42	176.53	
50/100	6.125	6.375	6.535	6.795	7.075		155.58	161.93	165.99	172.59	179.71	



**.125" [3.18 mm] Contact Centers, .610" [15.49 mm] Insulator Height
Dip Solder/Wire Wrap/Right Angle**

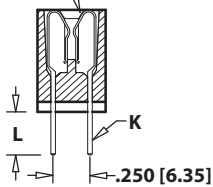
SPECIFICATIONS

- Accommodates .062" ± .008" [1.57 ± .20] PC board (Consult factory for .031" ± .008" [.79 ± .20], See page 52/53 for .093" ± .008" [2.36 ± .20] and .125" ± .008" [3.18 ± .20] PC boards)
- PBT, PPS or PA9T insulator
- Molded-in key available
- 3 amp current rating per contact
- 30 milli ohm maximum at rated current
- Consult Factory for (MBB) Contacts



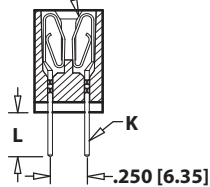
TERMINATION TYPE

HAIRPIN BELLOWS

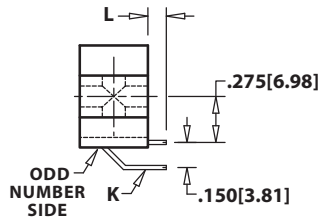


HAIRPIN BELLOWS
(CK,CS,CM,CW,CT)

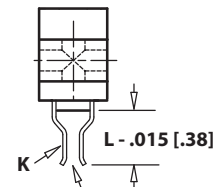
LOOP BELLOWS



LOOP BELLOWS
(TK,RS,RM,CK)



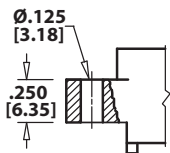
RIGHT ANGLE, DIP SOLDER
(CA,CB,CC,TA,TB,TM)



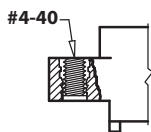
CARD EXTENDER
REQUIRES -S288 MODIFICATION CODE
(CS,CM,CT,RS,CK,TK,RM)

HAIRPIN BELLOWS	LOOP BELLOWS	TERMINATION TYPE	POST CROSS SECTION K	POST LENGTH L ± .025 [.64]	FITS MIN. HOLE SIZE
	TK, CK	DIP SOLDER	.026 [.66] ROUND	.190 [4.83]	.030 [0.76]
	RS	DIP SOLDER	.025 [.64] SQUARE	.190 [4.83]	.040 [1.02]
CM	RM	WIRE WRAP	.025 [.64] SQUARE	.560 [14.20]	.040 [1.02]
CA	TA	RIGHT ANGLE	.025 [.64] SQUARE	.100 [2.54]	.043 [1.09]
CB	TB	RIGHT ANGLE	.025 [.64] SQUARE	.180 [4.57]	.043 [1.09]
CC	TM	RIGHT ANGLE	.025 [.64] SQUARE	.250 [6.35]	.043 [1.09]
CW		DIP SOLDER	.015 x .025 [.38 x .64]	.125 [3.18]	.035 [0.76]
CT		DIP SOLDER	.015 x .025 [.38 x .64]	.170 [4.32]	.035 [0.76]
CS		DIP SOLDER	.025 [.64] SQUARE	.160 [4.06]	.040 [1.02]

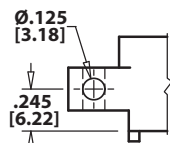
MOUNTING STYLE



CLEARANCE HOLE (H)



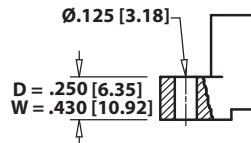
THREADED INSERT (I)



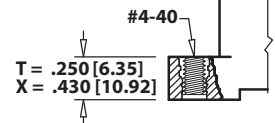
SIDE MOUNTING (S)



NO MOUNTING EARS (N)



FLUSH MOUNTING (D, W)



FLUSH MOUNTING WITH THREADED INSERT (T, X)



.125" [3.18 mm] Contact Centers, .610" [15.49 mm] Insulator Height Dip Solder/Wire Wrap/Right Angle

Sullins Edgecards

PART NUMBER CODING

E B A 50 D CM H - Sxxx

MATERIALS (Insulator/Contact)
 E = PBT/Phosphor Bronze (Standard)
 R = PPS/Phosphor Bronze
 G = PA9T/Phosphor Bronze
 A = PPS/Beryllium Copper
 J = PA9T/Beryllium Copper
 (Consult Factory for Other Materials)

CONTACT FINISH - RoHS Compliant
All platings are Lead Free and have .000050" Nickel underplate

Contact Surface	Termination
B = .000010" Gold	.000100" Pure Tin, Matte
C = .000030" Gold	.000100" Pure Tin, Matte
G = .000010" Gold	.000005" Gold
Y = .000030" Gold	.000005" Gold
Contact Surface	Overall Plating
S = .000010" Gold	.000010" Gold
M = .000030" Gold	.000010" Gold
E = .000100" Pure Tin, Matte	.000100" Pure Tin, Matte

CONTACT CENTERS
 A = .125" [3.18mm]

NUMBER OF CONTACT POSITIONS
 See Chart Below

READOUT (Opposite Page)
 D = Dual
 H = Half Loaded

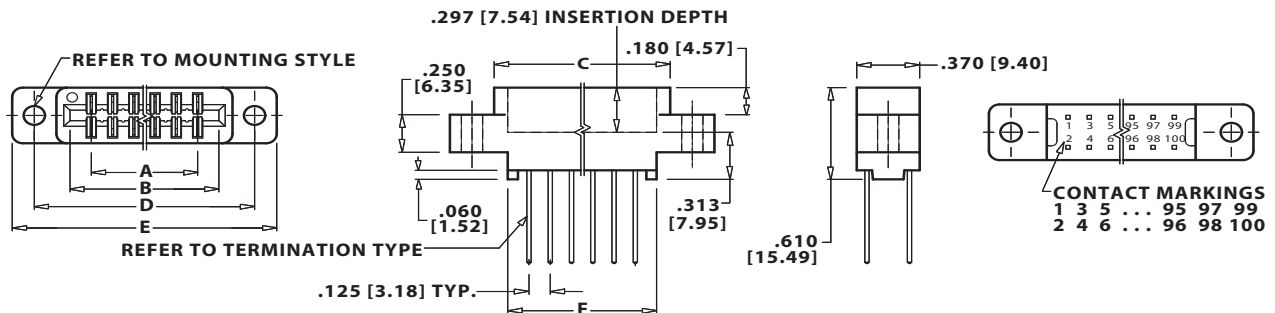
MODIFICATION CODE (Consult Factory)
 OMIT FOR STANDARD
 -S288 = Card Extender Accepts .062" [1.57] PCB

MOUNTING STYLE (Opposite Page)
 H = Clearance Holes
 I = Threaded Inserts
 S = Side Mounting
 N = No Mounting
 W = Flush Mounting
 D = Flush Mounting
 X = Flush Mounting with Threaded Inserts
 T = Flush Mounting with Threaded Inserts

TERMINATION TYPE (Opposite Page)
Hairpin Bellows **
 CS = .025" [0.64mm] Square Dip Solder
 CM = .025 [0.64mm] Square Wire Wrap
 CA, CB, CC = .025" [0.64mm] Square Right Angle
 CW, CT = .015" x .025" [0.38 x .64] Dip Solder
Loop Bellows
 RS = .025" [0.64mm] Square Dip Solder
 CK, TK = .026" [0.66mm] Round Dip Solder
 RM = .025" [0.64mm] Square Wire Wrap
 TA, TB, TM = .025" [0.64mm] Square Right Angle
****Available with B or C plating and Phosphor Bronze Only**

DIMENSIONS

Dimensions in [] are in millimeters, all others are in inches.



Tolerances with PPS Insulator Material may vary slightly due to shrinkage differential: Consult Factory.

POSITIONS/ CONTACTS	INCHES						[MILLIMETERS]					
	A±.008	B±.008	C±.015	D±.010	E±.020	F±.015	A±0.20	B±0.20	C±0.38	D±0.25	E±0.51	F±0.38
06/12	0.625	0.875	1.035	1.295	1.555	0.875	15.88	22.23	26.29	32.89	39.50	22.23
10/20	1.125	1.375	1.535	1.795	2.055	1.375	28.58	34.93	38.99	45.59	52.20	34.93
14/28	1.625	1.875	2.035	2.295	2.555	1.875	41.28	47.63	51.69	58.29	64.90	47.63
15/30	1.750	2.000	2.160	2.420	2.680	2.000	44.45	50.80	54.86	61.47	68.07	50.80
18/36	2.125	2.375	2.535	2.795	3.055	2.375	53.98	60.33	64.39	70.99	77.60	60.33
22/44	2.625	2.875	3.035	3.295	3.555	2.875	66.68	73.03	77.09	83.69	90.30	73.03
24/48	2.875	3.125	3.285	3.545	3.805	3.125	73.03	79.38	83.44	90.04	96.65	79.38
25/50*	3.000	3.250	3.410	3.670	3.930	3.250	76.20	82.55	86.61	93.22	99.82	82.55
28/56	3.375	3.625	3.785	4.045	4.305	3.625	85.73	92.08	96.14	102.74	109.35	92.08
30/60	3.625	3.875	4.035	4.295	4.555	3.875	92.08	98.43	102.49	109.09	115.70	98.43
31/62	3.750	4.000	4.160	4.420	4.680	4.000	95.25	101.60	105.66	112.27	118.87	101.60
32/64	3.875	4.125	4.285	4.545	4.805	4.125	98.43	104.78	108.84	115.44	122.05	104.78
35/70	4.250	4.500	4.660	4.920	5.180	4.500	107.95	114.30	118.36	124.97	131.57	114.30
36/72	4.375	4.625	4.785	5.045	5.305	4.625	111.13	117.48	121.54	128.14	134.75	117.48
40/80	4.875	5.125	5.285	5.545	5.805	5.125	123.83	130.18	134.24	140.84	147.45	130.18
43/86	5.250	5.500	5.660	5.920	6.180	5.500	133.35	139.70	143.76	150.37	156.97	139.70
44/88	5.375	5.625	5.785	6.045	6.305	5.625	136.53	142.88	146.94	153.54	160.15	142.88
49/98	6.000	6.250	6.410	6.670	6.930	6.250	152.40	158.75	162.81	169.42	176.02	158.75
50/100	6.125	6.375	6.535	6.795	7.055	6.375	155.58	161.93	165.99	172.59	179.20	161.93

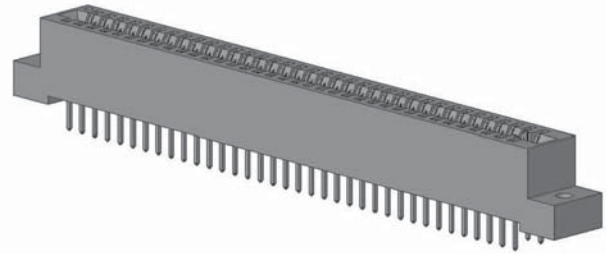
* Consult factory for availability.



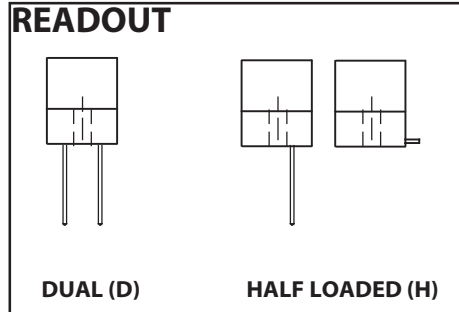
**.125" [3.18 mm] Contact Centers, .610" [15.49 mm] Insulator Height,
Dip Solder/Wire Wrap/Right Angle for .093" [2.36] or .125" [3.18] Mating PCB**

SPECIFICATIONS

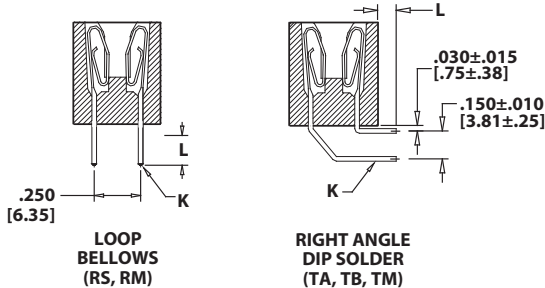
- Accommodates .093" ± .008" [2.36 ± .20] or .125" ± .008" [3.18 ± .20] mating PCB
- PBT, PPS or PA9T insulator
- Molded-in key available
- 3 amp current rating per contact
- 30 milli ohm maximum at rated current



Sullins Edgecards

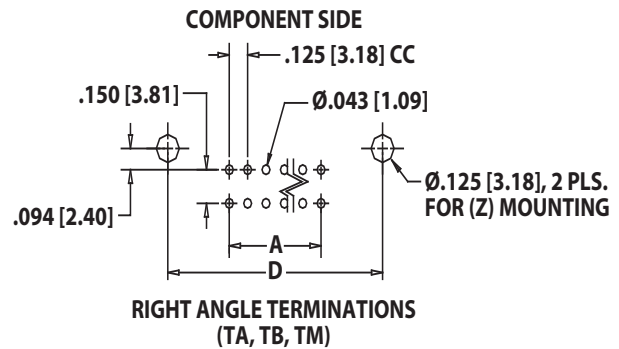
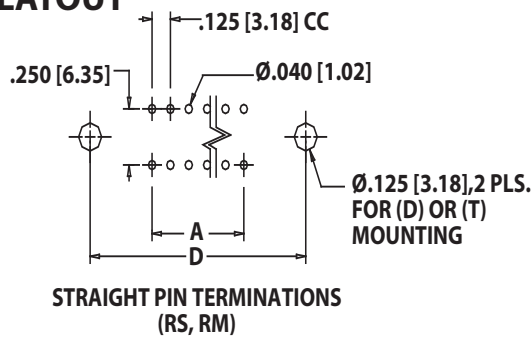


TERMINATION TYPE

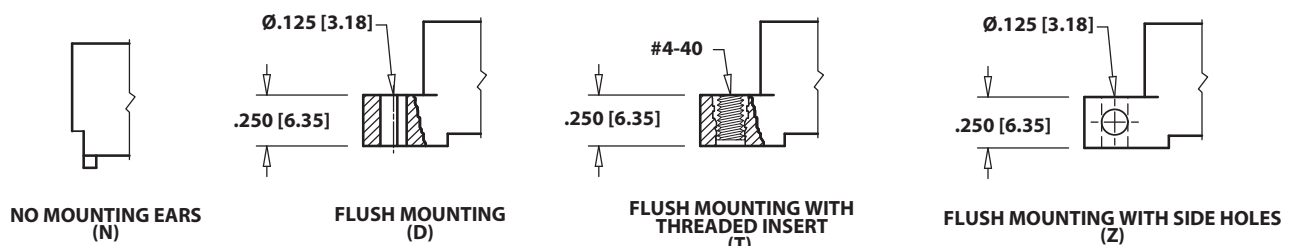


TERMINATION TYPE	POST CROSS SECTION (K)	POST LENGTH L ± .025 [0.64]	FITS MIN. HOLE SIZE
RS DIP SOLDER	.025 [0.64] SQUARE	.190 [4.83]	.040 [1.02]
RM WIRE WRAP	.025 [0.64] SQUARE	.560 [14.20]	.040 [1.02]
TA RIGHT ANGLE	.025 [0.64] SQUARE	.100 [2.54]	.043 [1.09]
TB RIGHT ANGLE	.025 [0.64] SQUARE	.180 [4.57]	.043 [1.09]
TM RIGHT ANGLE	.025 [0.64] SQUARE	.250 [6.35]	.043 [1.09]

PCB LAYOUT



MOUNTING STYLE





**.125" [3.18 mm] Contact Centers, .610" [15.49 mm] Insulator Height,
Dip Solder/Wire Wrap/Right Angle for .093" [2.36] or .125" [3.18] Mating PCB**

Sullins Edgecards

PART NUMBER CODING

E B A 50 D R M D - S273

MATERIALS (Insulator/Contact)

E = PBT/Phosphor Bronze(Standard)
R = PPS/Phosphor Bronze
G = PA9T/Phosphor Bronze
(Consult Factory for Other Materials)

CONTACT FINISH - RoHS Compliant
All platings are Lead Free and have .000050" Nickel underplate

	Contact Surface	Termination
B =	.000010" Gold	.000100" Pure Tin, Matte
C =	.000030" Gold	.000100" Pure Tin, Matte
G =	.000010" Gold	.000005" Gold
Y =	.000030" Gold	.000005" Gold
	Contact Surface	Overall Plating
S =	.000010" Gold	.000010" Gold
M =	.000030" Gold	.000010" Gold
E =	.000100" Pure Tin, Matte	.000100" Pure Tin, Matte

CONTACT CENTERS
A = .125" [3.18mm]

MODIFICATION CODE (Consult Factory)

-S273 = FOR .093" ± .008" [2.36 ± .20]
THICK MATING PCB
-S664 = FOR .125" ± .008" [3.18 ± .20]
THICK MATING PCB

MOUNTING STYLE (Opposite Page)
N = No Mounting
D = Flush Mounting
T = Flush Mounting With Threaded Inserts
Z = Flush Mounting With Side Holes

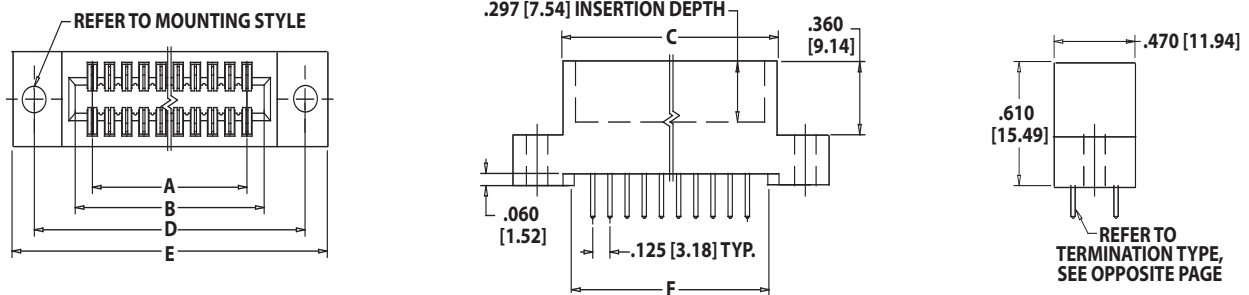
TERMINATION TYPE (Opposite Page)
RS = .025" [0.64mm] Square Dip Solder
RM = .025" [0.64mm] Square Wire Wrap
TA, TB, TM = .025" [0.64mm] Square Right Angle

READOUT (OPPOSITE PAGE)
D = Dual
H = Half Loaded

NUMBER OF CONTACT POSITIONS
See Chart Below

DIMENSIONS

Dimensions in [] are in millimeters, all others are in inches.



Tolerances with PPS Insulator Material may vary slightly due to shrinkage differential: Consult Factory.

POSITIONS/ CONTACTS	INCHES						[MILLIMETERS]					
	A±.008	B±.008	C±.015	D±.010	E±.020	F±.015	A±0.20	B±0.20	C±0.38	D±0.25	E±0.51	F±0.38
06/12*	0.625	0.875	1.035	1.295	1.555	0.875	15.88	22.23	26.29	32.89	39.50	22.23
10/20*	1.125	1.375	1.535	1.795	2.055	1.375	28.58	34.93	38.99	45.59	52.20	34.93
14/28*	1.625	1.875	2.035	2.295	2.555	1.875	41.28	47.63	51.69	58.29	64.90	47.63
15/30*	1.750	2.000	2.160	2.420	2.680	2.000	44.45	50.80	54.86	61.47	68.07	50.80
18/36*	2.125	2.375	2.535	2.795	3.055	2.375	53.98	60.33	64.39	70.99	77.60	60.33
22/44*	2.625	2.875	3.035	3.295	3.555	2.875	66.68	73.03	77.09	83.69	90.30	73.03
24/48*	2.875	3.125	3.285	3.545	3.805	3.125	73.03	79.38	83.44	90.04	96.65	79.38
25/50*	3.000	3.250	3.410	3.670	3.930	3.250	76.20	82.55	86.61	93.22	99.82	82.55
28/56*	3.375	3.625	3.785	4.045	4.305	3.625	85.73	92.08	96.14	102.74	109.35	92.08
30/60	3.625	3.875	4.035	4.295	4.555	3.875	92.08	98.43	102.49	109.09	115.70	98.43
31/62*	3.750	4.000	4.160	4.420	4.680	4.000	95.25	101.60	105.66	112.27	118.87	101.60
32/64*	3.875	4.125	4.285	4.545	4.805	4.125	98.43	104.78	108.84	115.44	122.05	104.78
35/70*	4.250	4.500	4.660	4.920	5.180	4.500	107.95	114.30	118.36	124.97	131.57	114.30
36/72	4.375	4.625	4.785	5.045	5.305	4.625	111.13	117.48	121.54	128.14	134.75	117.48
40/80*	4.875	5.125	5.285	5.545	5.805	5.125	123.83	130.18	134.24	140.84	147.45	130.18
43/86*	5.250	5.500	5.660	5.920	6.180	5.500	133.35	139.70	143.76	150.37	156.97	139.70
44/88*	5.375	5.625	5.785	6.045	6.305	5.625	136.53	142.88	146.94	153.54	160.15	142.88
49/98*	6.000	6.250	6.410	6.670	6.930	6.250	152.40	158.75	162.81	169.42	176.02	158.75
50/100	6.125	6.375	6.535	6.795	7.055	6.375	155.58	161.93	165.99	172.59	179.20	161.93

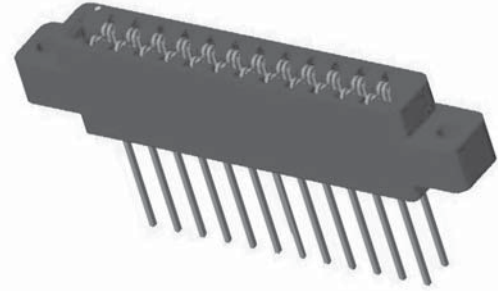
* Consult Factory For Availability.



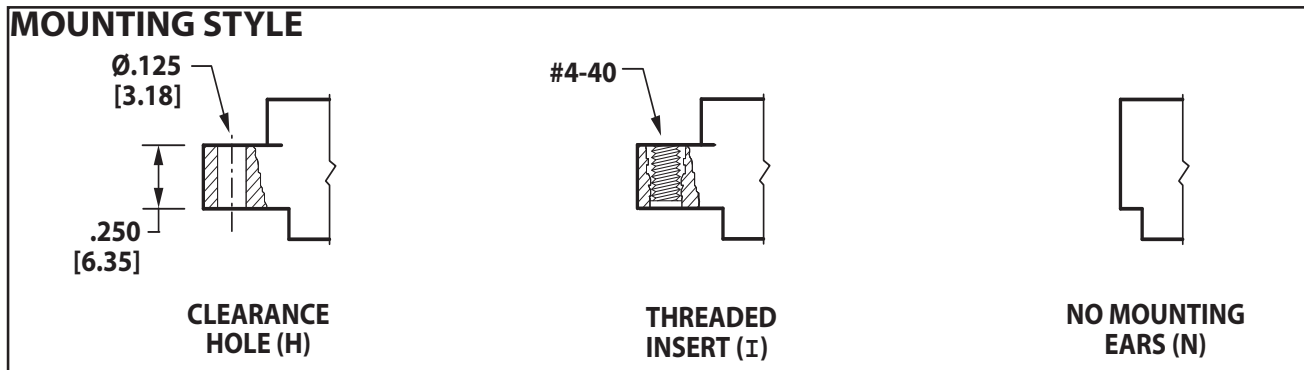
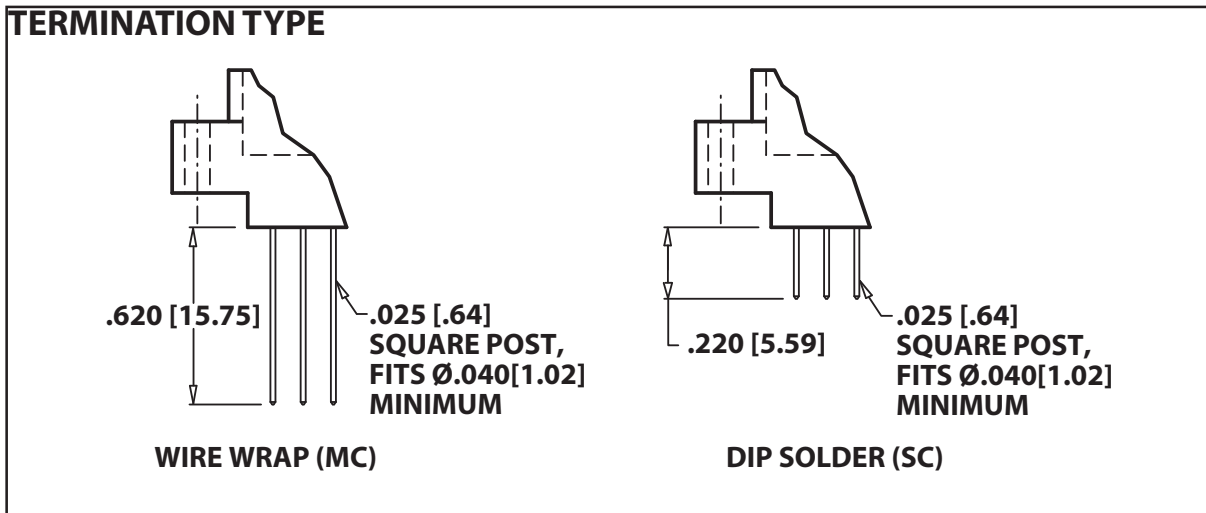
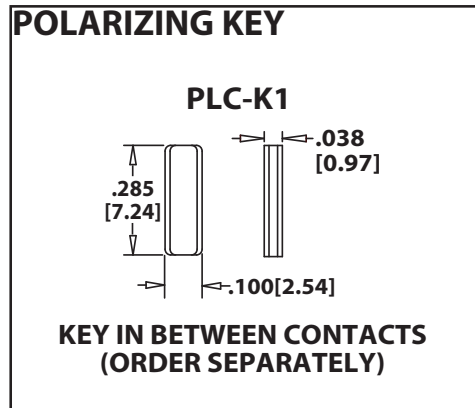
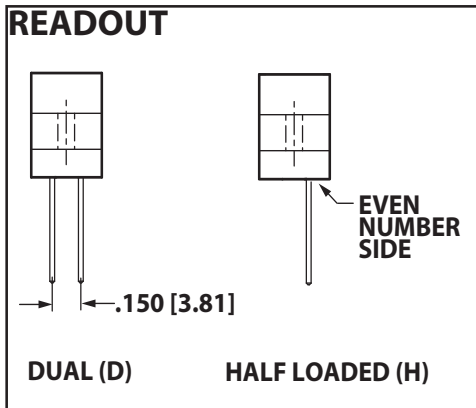
**.150" [3.81 mm] Contact Centers, .550" [13.97 mm] Insulator Height
Dip Solder/Wire Wrap**

SPECIFICATIONS

- Accommodates $.062" \pm .008"$ [1.57 ± .20] PC board
- PBT, PPS or PA9T insulator
- Molded-in key available
- 3 amp current rating per contact
- 30 milli ohm max. at rated current



Sullins Edgecards





.150" [3.81 mm] Contact Centers, .550" [13.97 mm] Insulator Height Dip Solder/Wire Wrap

Sullins Edgecards

PART NUMBER CODING

E B J 26 D MC H - Sxxx

MATERIALS (Insulator/Contact)
 E = PBT/Phosphor Bronze (Standard)
 R = PPS/Phosphor Bronze
 G = PA9T/Phosphor Bronze
 (Consult Factory for Other Materials)

CONTACT FINISH - RoHS Compliant
 All platings are Lead Free and have .000050" Nickel underplate

Contact Surface	Termination
B = .000010" Gold	.000100" Pure Tin, Matte
C = .000030" Gold	.000100" Pure Tin, Matte

CONTACT CENTERS
 J = .150" [3.81mm]

NUMBER OF CONTACT POSITIONS
 See Chart Below

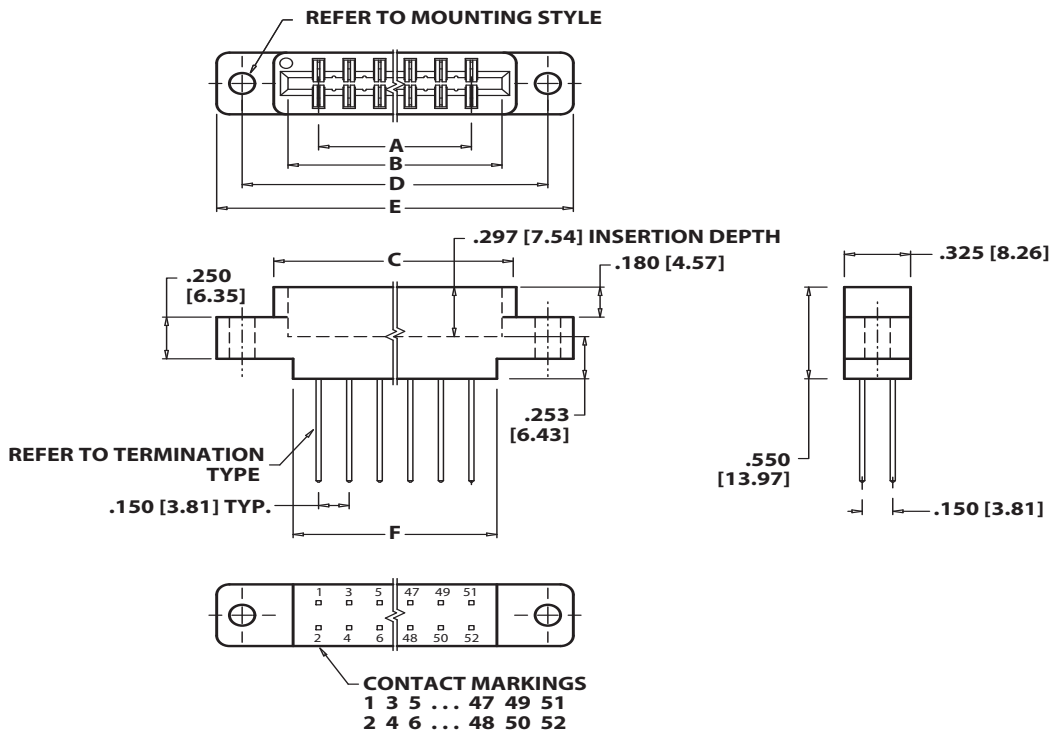
MODIFICATION CODE (Consult Factory)
 OMIT FOR STANDARD

MOUNTING STYLE (Opposite Page)
 H = Clearance Holes
 I = Threaded Inserts
 N = No Mounting

TERMINATION TYPE (Opposite Page)
Hairpin Bellows
 MC = .025" [.64mm] Square Wire Wrap
 SC = .025" [.64mm] Square Dip Solder

READOUT (Opposite Page)
 D = Dual
 H = Half Loaded

DIMENSIONS Dimensions in [] are in millimeters, all others are in inches.



Tolerances with PPS Insulator Material may vary slightly due to shrinkage differential: Consult Factory.

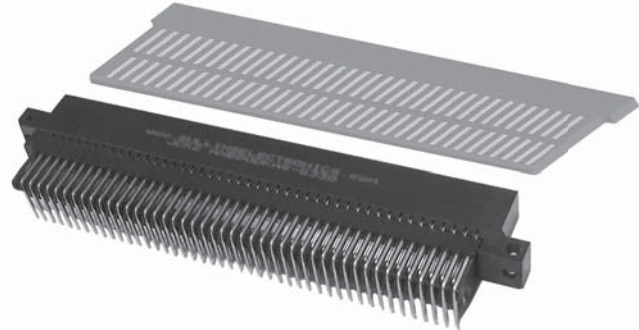
POSITIONS/ CONTACTS	INCHES						[MILLIMETERS]					
	A±.008	B±.008	C±.015	D±.010	E±.020	F±.015	A±0.20	B±0.20	C±0.38	D±0.25	E±0.51	F±0.38
12/24	1.650	1.950	2.090	2.400	2.650	2.000	41.91	49.53	53.09	60.96	67.31	50.80
18/36*	2.550	2.850	2.990	3.300	3.550	2.800	64.77	72.39	75.95	83.82	90.17	71.12
22/44*	3.150	3.450	3.590	3.900	4.150	3.400	80.01	87.63	91.19	99.06	105.41	86.36
26/52	3.750	4.050	4.190	4.500	4.750	4.000	95.25	102.87	106.43	114.30	120.65	101.60
28/56*	4.050	4.350	4.490	4.800	5.050	4.300	102.87	110.49	114.05	121.92	128.27	109.22

* Consult Factory For Availability.

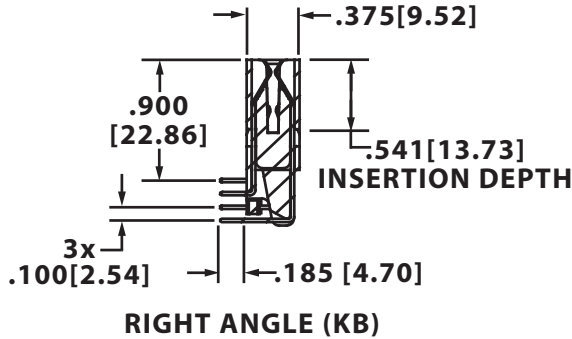


SPECIFICATIONS

- .078" Contact Center Spacing can replace .156" CC parts to double the number of contacts within the same area
- Backwards Compatible with Daughter Card Side
- Accommodates .062" ± .008" [1.57 ± .20] PC board
- Contact Material: Beryllium Copper or Phosphor Bronze
- Body Material: PPS/PA9T
- UL Flammability: 94V-0
- 3 amp current rating per contact
- 75 grams minimum contact normal force
- Voltage Rating: 125 VDC Minimum at sea level
- Consult Factory for PC board layouts/technical drawings



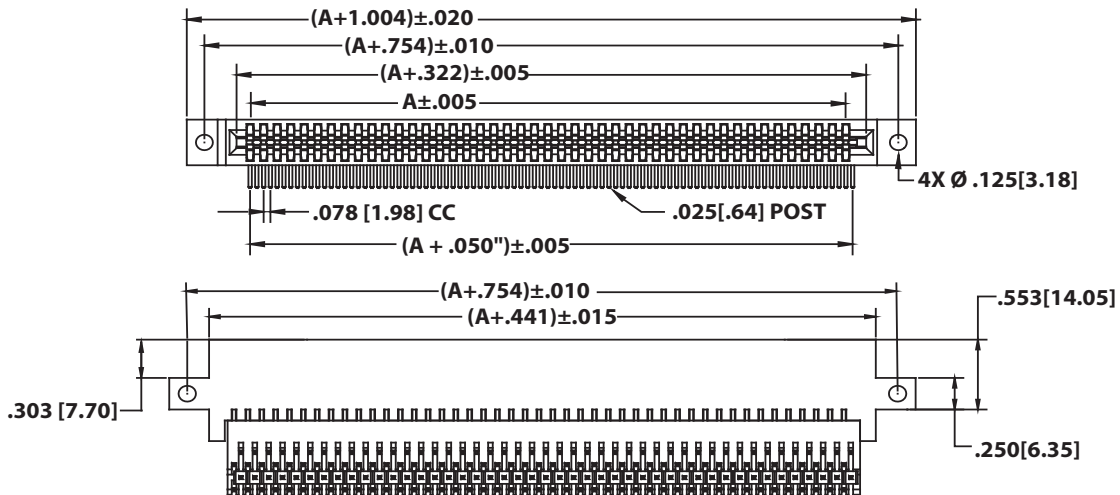
TERMINATION TYPE



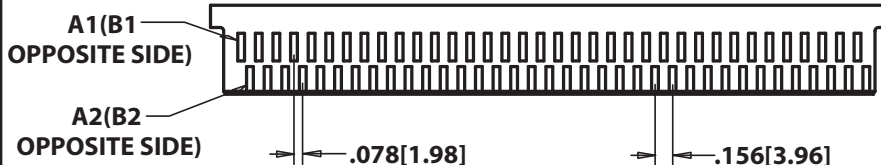
- HIGH DENSITY**
- HIGH TEMPERATURE**
- HIGH CYCLE**
- HIGH RELIABILITY**

DIMENSIONS

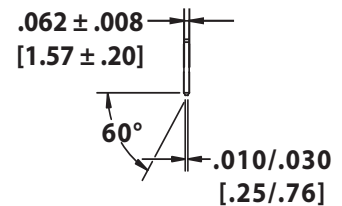
Dimensions in [] are in millimeters, all others are in inches.



DAUGHTER CARD LAYOUT



DAUGHTER CARD SIDE VIEW





PART NUMBER CODING

A C K 10 D KB S - Sxxx

MATERIALS (INSULATOR/CONTACT)

- G = PA9T/Phosphor Bronze
Operating Temperature: 125°C
- R = PPS and PA9T/Phosphor Bronze
Operating Temperature: 125°C
- J = PA9T/Beryllium Copper
Operating Temperature: 150°C
- A = PPS and PA9T/Beryllium Copper
Operating Temperature: 150°C

CONTACT FINISH - RoHS Compliant

All platings are Lead Free and have .000050" Nickel underplate

- | | |
|------------------------|--------------------------|
| Contact Surface | Termination |
| B = .000010" Gold | .000100" Pure Tin, Matte |
| C = .000030" Gold | .000100" Pure Tin, Matte |
| Y = .000030" Gold | .000005" Gold |

CONTACT CENTERS

- K = .078" [1.98mm]

OMIT FOR STANDARD
S - S1075 = Staggered Ears with Side Mounting Holes
A - S1076 = Staggered Ears with #4-40 Threaded Inserts

POSITIONS	Dimension A (See Opposite Page)		
	No. of Contacts	Inches	[MM]
06	12	0.780	19.81
08	16	1.092	27.74
10	20	1.404	35.66
12	24	1.716	43.59
14	28	2.028	51.51
16	32	2.340	59.44
18	36	2.652	67.36
20	40	2.964	75.29
22	44	3.276	83.21
24	48	3.588	91.14
26	52	3.900	99.06
28	56	4.212	106.98
30	60	4.524	114.91
32	64	4.836	122.83
34	68	5.148	130.76
36	72	5.460	138.68
38	76	5.772	146.61
40	80	6.084	154.53
42	84	6.396	162.46
44	88	6.708	170.38
46	92	7.020	178.31
48	96	7.332	186.23
50	100	7.644	194.16
52	104	7.956	202.08
54	108	8.268	210.01
56	112	8.580	217.93
58	116	8.892	225.86
60	120	9.204	233.78
62	124	9.516	241.71
64	128	9.828	249.63
66	132	10.140	257.56
68	136	10.452	265.48
70	140	10.764	273.41
72	144	11.076	281.33

MOUNTING STYLE		
H	MOUNTING HOLES	
S	SIDE MOUNTING HOLES	
I	#4-40 THREADED INSERTS	
A	#4-40 THREADED INSERTS IN SIDE HOLES	
Z	FLUSH EARS WITH SIDE MOUNTING HOLES	
D	FLUSH EARS WITH Ø.125 HOLES	
T	FLUSH EARS WITH #4-40 THREADED INSERTS	
V	FLUSH EARS WITH #4-40 THREADED INSERTS IN SIDE HOLES	
N	NO MOUNTING EARS	

MODIFICATION CODE

(CONSULT FACTORY)

STAGGERED EARS WITH SIDE MOUNTING HOLES (S-S1075)

STAGGERED EARS WITH #4-40 THREADED INSERTS (A-S1076)

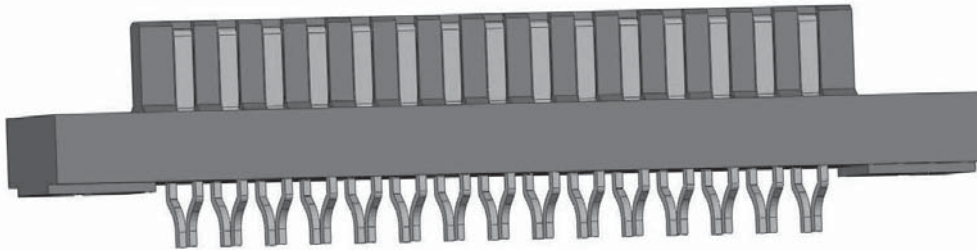


**.156" [3.96 mm] Contact Centers, .540" [13.72 mm] Insulator Height,
Male Edgecard, Dip Solder/Right Angle/Card Extender**

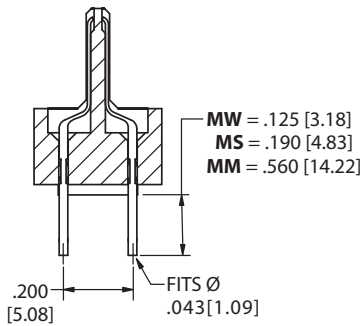
SPECIFICATIONS

- Compatible with .431" or .610" Insulator Height Edgecards
- Mates in place of .062" [1.57] PCB
- PBT or PA9T insulator
- 3 amp current rating per contact
- 30 milli ohm maximum at rated current

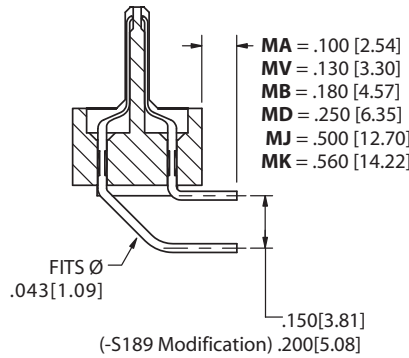
Sullins Edgecards



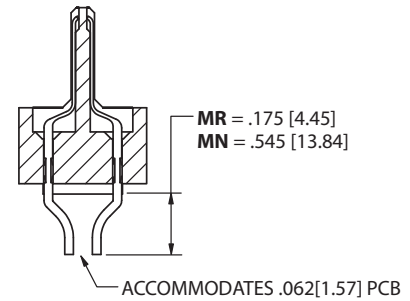
TERMINATION TYPE



**DIP SOLDER (MW, MS)
WIRE WRAP (MM)**

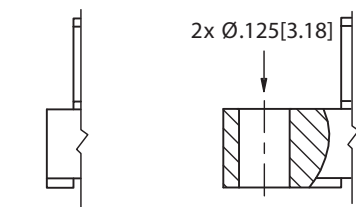


**RIGHT ANGLE
(MA, MV, MB, MD, MJ, MK)**

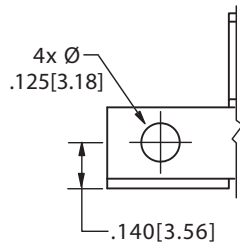


**CARD EXTENDER
(MR, MN)**

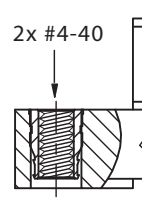
MOUNTING STYLE



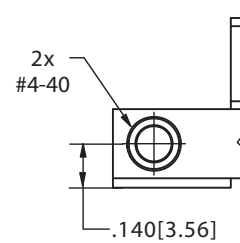
**NO MOUNTING (N)
FLUSH with CLEARANCE HOLES (D)**



FLUSH, SIDE MOUNTING with CLEARANCE HOLES (Z)



FLUSH with THREADED INSERT (T)



FLUSH, with SIDE MOUNTED THREADED INSERT (V)



.156" [3.96 mm] Contact Centers, .540" [13.72 mm] Insulator Height, Male Edgecard, Dip Solder/Right Angle/Card Extender

PART NUMBER OPTIONS

MATERIALS (Insulator/Contact)

- E = PBT/Phosphor Bronze
Operating Temperature: -65°C to 125°C
Processing Temperature: 260°C for 10 seconds Max.
- G = PA9T/Phosphor Bronze
Operating Temperature: -65°C to 150°C
Processing Temperature: 260°C for 120 seconds Max.

CONTACT FINISH - RoHS Compliant

All platings are Lead Free and have .000050" Nickel underplate

Contact Surface Termination

- B = .000010" Gold .000100" Pure Tin, Matte
- C = .000030" Gold .000100" Pure Tin, Matte
- Y = .000030" Gold .000005" Gold

CONTACT CENTERS

- M = .156" [3.96mm]

NUMBER OF CONTACT POSITIONS

04 thru 60 Positions (Contact Factory for Positions Not Shown)

E B M 25 M MW D - Sxxx

MODIFICATIONS (Consult Factory)

- Omit for Standard
- S189 = .200" Row Spacing (Right Angle Only)

MOUNTING STYLE (Opposite Page)

- N = No Mounting
- D = .250" Ears, Flush Mounting, .125" [3.18mm] Dia
- Z = .250" Ears, Flush, Side Mounting
- T = .250" Ears, Flush Mounting, #4-40 Threaded Insert
- V = Flush, Side Mounting, #4-40 Threaded Insert

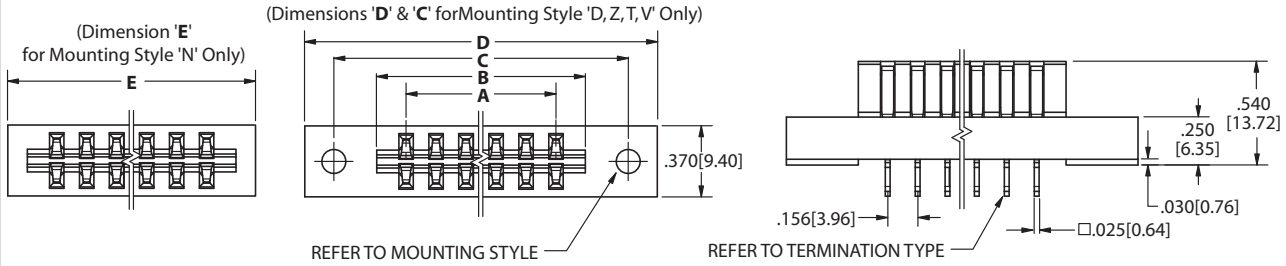
TERMINATION TYPE (Opposite Page)

- MW, MS = Dip Solder
- MM = Wire Wrap
- MA, MV, MB = Right Angle
- MD, MJ, MK = Right Angle
- MR, MN = Card Extender

M = Male Edgecard

DIMENSIONS

Dimensions in [] are in millimeters, all others are in inches.



POSITIONS/ CONTACTS	INCHES					[MILLIMETERS]				
	A±.008	B±.008	C±.010	D±.020	E±.020 'N' Mtg. Only	A±0.20	B±0.20	C±0.25	D±0.51	E±0.51 'N' Mtg. Only
04/08*	0.468	0.774	1.221	1.524	0.944	11.89	19.66	31.01	38.71	23.98
05/10*	0.624	0.930	1.377	1.680	1.100	15.85	23.62	34.98	42.67	27.94
06/12	0.780	1.086	1.533	1.836	1.256	19.81	27.58	38.94	46.63	31.90
07/14*	0.936	1.242	1.689	1.992	1.412	23.77	31.55	42.90	50.60	35.86
08/16*	1.092	1.398	1.845	2.148	1.568	27.74	35.51	46.86	54.56	39.83
09/18*	1.248	1.554	2.001	2.304	1.724	31.70	39.47	50.83	58.52	43.79
10/20	1.404	1.710	2.157	2.460	1.880	35.66	43.43	54.79	62.48	47.75
11/22*	1.560	1.866	2.313	2.616	2.036	39.62	47.40	58.75	66.45	51.71
12/24	1.716	2.022	2.469	2.772	2.192	43.59	51.36	62.71	70.41	55.68
13/26*	1.872	2.178	2.625	2.928	2.348	47.55	55.32	66.68	74.37	59.64
14/28	2.028	2.334	2.781	3.084	2.504	51.51	59.28	70.64	78.33	63.60
15/30*	2.184	2.490	2.937	3.240	2.660	55.47	63.25	74.60	82.30	67.56
16/32	2.340	2.646	3.093	3.396	2.816	59.44	67.21	78.56	86.26	71.53
17/34*	2.496	2.802	3.249	3.552	2.972	63.40	71.17	82.52	90.22	75.49
18/36	2.652	2.958	3.405	3.708	3.128	67.36	75.13	86.49	94.18	79.45
19/38*	2.808	3.114	3.561	3.864	3.284	71.32	79.10	90.45	98.15	83.41
20/40	2.964	3.270	3.717	4.020	3.440	75.29	83.06	94.41	102.11	87.38
21/42*	3.120	3.426	3.873	4.176	3.596	79.25	87.02	98.37	106.07	91.34
22/44	3.276	3.582	4.029	4.332	3.752	83.21	90.98	102.34	110.03	95.30
23/46*	3.432	3.738	4.185	4.488	3.908	87.17	94.95	106.30	114.00	99.26
24/48	3.588	3.894	4.341	4.644	4.064	91.14	98.91	110.26	117.96	103.23
25/50*	3.744	4.050	4.497	4.800	4.220	95.10	102.87	114.22	121.92	107.19
26/52*	3.900	4.206	4.653	4.956	4.376	99.06	106.83	118.19	125.88	111.15
27/54*	4.056	4.362	4.809	5.112	4.532	103.02	110.79	122.15	129.84	115.11
28/56	4.212	4.518	4.965	5.268	4.688	106.98	114.76	126.11	133.81	119.08
29/58*	4.368	4.674	5.121	5.424	4.844	110.95	118.72	130.07	137.77	123.04
30/60	4.524	4.830	5.277	5.580	5.000	114.91	122.68	134.04	141.73	127.00
31/62*	4.680	4.986	5.433	5.736	5.156	118.87	126.64	138.00	145.69	130.96
32/64*	4.836	5.142	5.589	5.892	5.312	122.83	130.61	141.96	149.66	134.92
33/66*	4.992	5.298	5.745	6.048	5.468	126.80	134.57	145.92	153.62	138.89
34/68	5.148	5.454	5.901	6.204	5.624	130.76	138.53	149.89	157.58	142.85
35/70*	5.304	5.610	6.057	6.360	5.780	134.72	142.49	153.85	161.54	146.81
36/72	5.460	5.766	6.213	6.516	5.936	138.68	146.46	157.81	165.51	150.77
37/74*†	5.616	5.922	-----	-----	6.092	142.65	150.42	-----	-----	154.74
38/76†	5.772	6.078	-----	-----	6.248	146.61	154.38	-----	-----	158.70
39/78*†	5.928	6.234	-----	-----	6.404	150.57	158.34	-----	-----	162.66
40/80†	6.084	6.390	-----	-----	6.560	154.53	162.31	-----	-----	166.62

*Consult factory for availability

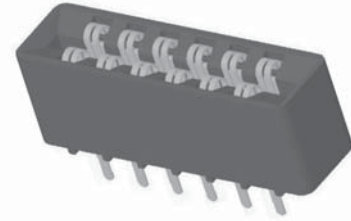
† Available in 'N' Mounting Only



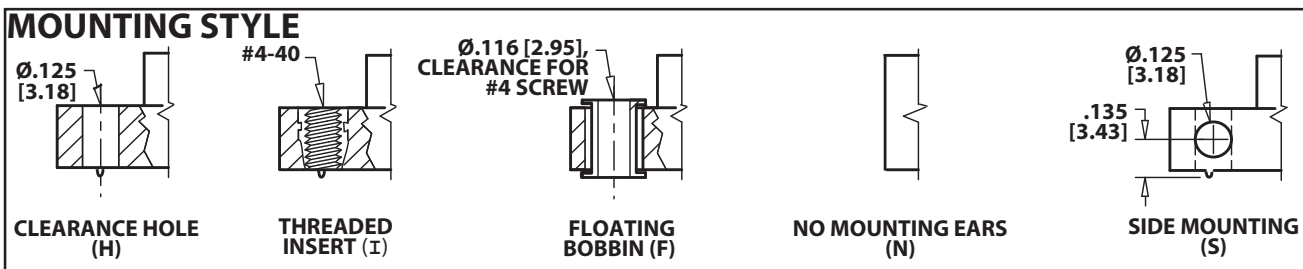
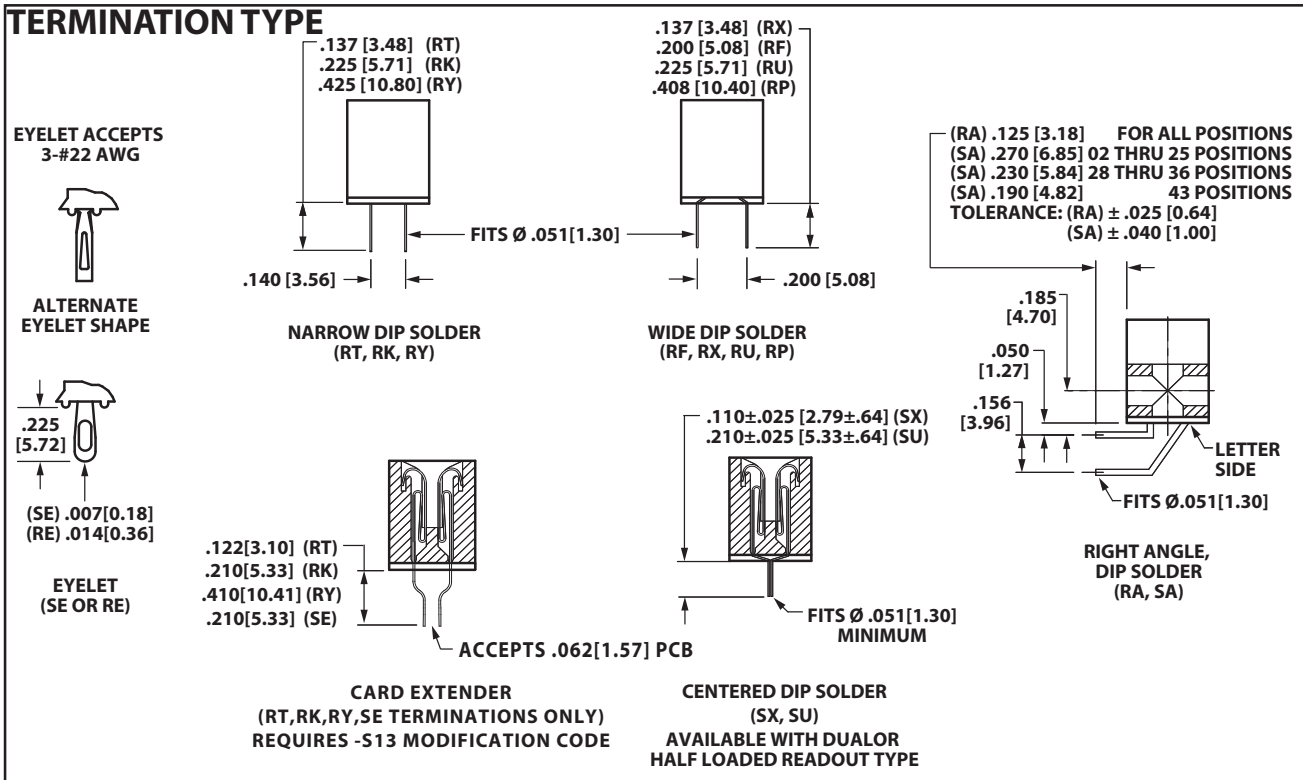
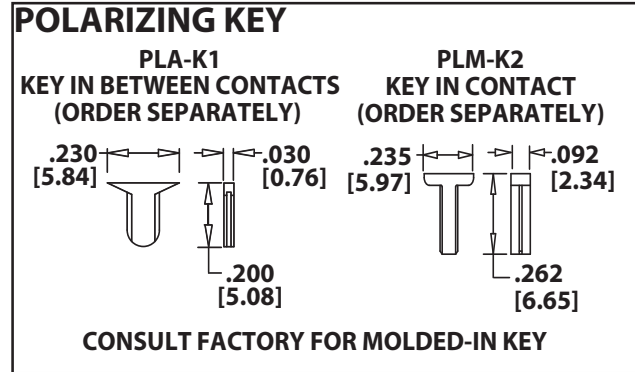
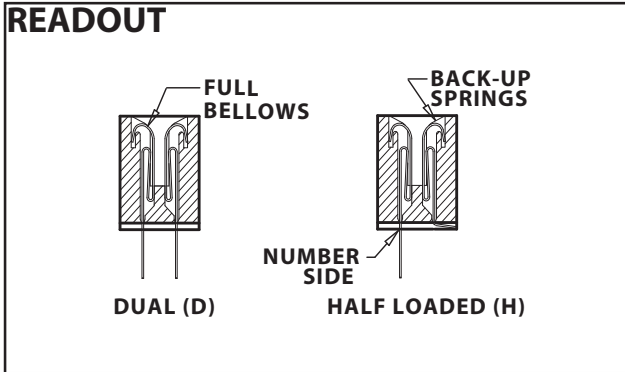
**.156" [3.96 mm] Contact Centers, .431" [10.95 mm] Insulator Height
Dip Solder/Eyelet/Right Angle**

SPECIFICATIONS

- Accommodates $.062" \pm .008"$ [1.57 ± .20] PC board
- Molded-in key available
- 3 amp current rating per contact
(for 5 amp application, consult factory)
- 30 milli ohm maximum at rated current



Sullins Edgecards





.156" [3.96 mm] Contact Centers, .431" [10.95 mm] Insulator Height Dip Solder/Eyelet/Right Angle

Sullins Edgecards

PART NUMBER CODING

MATERIALS (Insulator/Contact)

- E = PBT/Phosphor Bronze (Standard)
- R = PPS/Phosphor Bronze
- G = PA9T/Phosphor bronze
- H = PBT/Beryllium Copper
- A = PPS/Beryllium Copper
- J = PA9T/Beryllium Copper
- *F = PPS/Spinodal (Overall Gold Plating Only)
Consult Factory for Special Soldering Guidelines
- *C = PPS/Beryllium Nickel (Overall Gold Plating Only)
- *W = PEEK/Beryllium Nickel (Overall Gold Plating Only)
- *Consult Factory for availability.

CONTACT FINISH - RoHS Compliant
All platings are Lead Free and have .000050" Nickel underplate

	Contact Surface	Termination
B =	.000010" Gold	.000100" Pure Tin, Matte
C =	.000030" Gold	.000100" Pure Tin, Matte
G =	.000010" Gold	.000005" Gold
Y =	.000030" Gold	.000005" Gold
	Contact Surface	Overall Plating
S =	.000010" Gold	.000010" Gold
M =	.000030" Gold	.000010" Gold
E =	.000100" Pure Tin, Matte	.000100" Pure Tin, Matte

CONTACT CENTERS
M = .156" [3.96mm]

NUMBER OF CONTACT POSITIONS
See Chart Below

MODIFICATION CODE (Consult Factory)
OMIT FOR STANDARD
-S13 = Card Extender Accepts .062" [1.57] PCB (RT, RK, RY, SE Terminations Only)

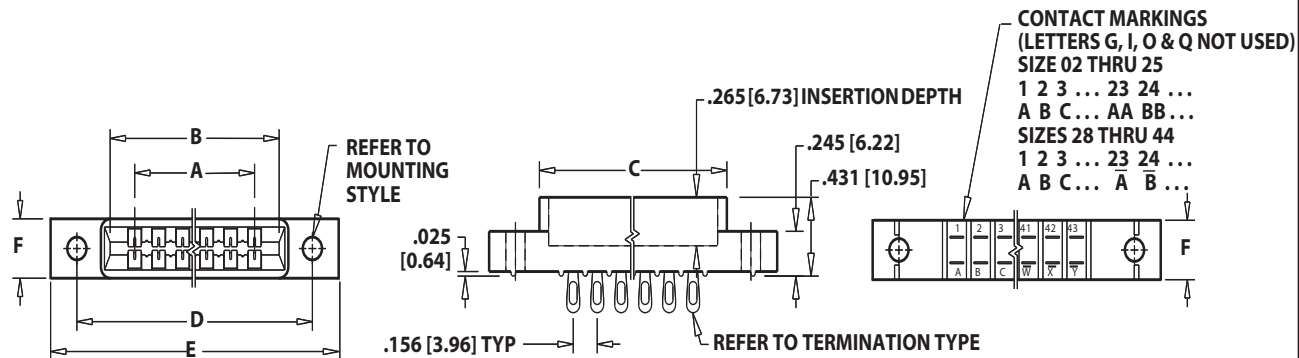
MOUNTING STYLE (Opposite Page)
H = .125" [3.18mm] Clearance Holes
N = No Mounting
S = Side Mounting
I = Threaded Insert
F = Floating Bobbin

TERMINATION TYPE (Opposite Page)
RA = .125" Right Angle Dip Solder
SA = Long Right Angle Dip Solder
RT = .140" x .137" Dip Solder
RK = .140" x .225" Dip Solder
RY = .140" x .425" Dip Solder
RX = .200" x .137" Dip Solder
RF = .200" x .200" Dip Solder
RU = .200" x .225" Dip Solder
RP = .200" x .408" Dip Solder
SX = .110" [2.79mm] Centered Dip Solder
SU = .210" [5.33mm] Centered Dip Solder
SE = .007" [0.18mm] Thick Eyelet
RE = .014" [0.36mm] Thick Eyelet

READOUT (Opposite Page)
D = Dual
D = Dual Row/ Crimp to Center for Single Readout (SX, SU Termination Only)
H = Half Loaded

DIMENSIONS

Dimensions in [] are in millimeters, all others are in inches.



Tolerances with PPS Insulator Material may vary slightly due to shrinkage differential; Consult Factory.

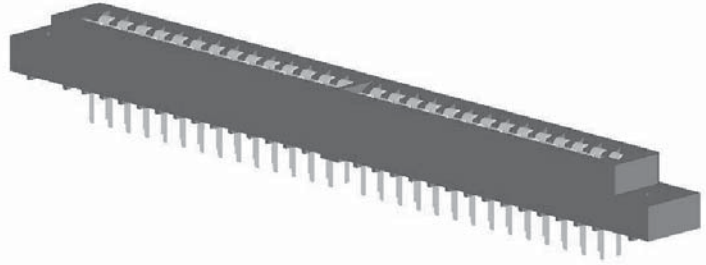
POSITIONS/ CONTACTS	INCHES					[MILLIMETERS]						
	A±.008	B±.008	C±.015	D±.010	E MAX	F±.005	A±0.20	B±0.20	C±0.38	D±0.25	E MAX	F±0.13
02/04	0.156	0.476	0.596		'N' MOUNTING		3.96	12.09	15.14		'N' MOUNTING	
03/06	0.312	0.632	0.752		'N' MOUNTING		7.92	16.05	19.10		'N' MOUNTING	
06/12	0.780	1.100	1.220	1.533	1.902	0.325	19.81	27.94	30.99	38.94	48.31	8.26
08/16	1.092	1.412	1.532	1.845	2.214		27.74	35.86	38.91	46.86	56.24	
10/20	1.404	1.724	1.844	2.157	2.526		35.66	43.79	46.84	54.79	64.16	
11/22	1.560	1.880	2.000	2.313	2.682		39.62	47.75	50.80	58.75	68.12	
12/24	1.716	2.036	2.156	2.469	2.838		43.59	51.71	54.76	62.71	72.09	
15/30	2.184	2.504	2.624	2.937	3.306		55.47	63.60	66.65	74.60	83.97	
18/36	2.652	2.972	3.092	3.405	3.774		67.36	75.49	78.54	86.49	95.86	
22/44	3.276	3.596	3.716	4.029	4.398		83.21	91.34	94.39	102.34	111.71	
24/48	3.588	3.908	4.028	4.341	4.710		91.14	99.26	102.31	110.26	119.63	
25/50	3.744	4.064	4.184	4.497	4.866		95.10	103.23	106.27	114.22	123.60	
28/56	4.212	4.532	4.652	4.965	5.334	0.438	106.98	115.11	118.16	126.11	135.48	11.13
36/72	5.460	5.780	5.900	6.213	6.582		138.68	146.81	149.86	157.81	167.18	
43/86	6.552	6.872	6.992	7.305	7.674	0.500	166.42	174.55	177.60	185.55	194.92	12.70
44/88	6.708	7.028	7.148	7.461	7.830		170.38	178.51	181.56	189.51	198.88	



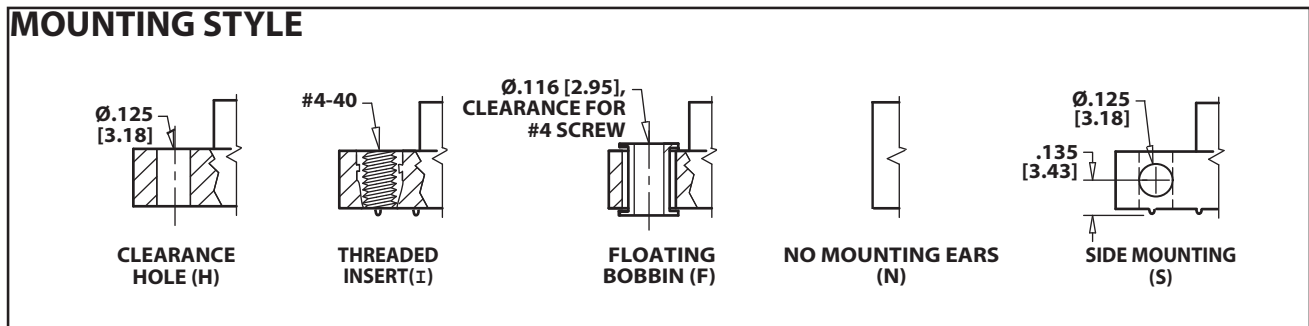
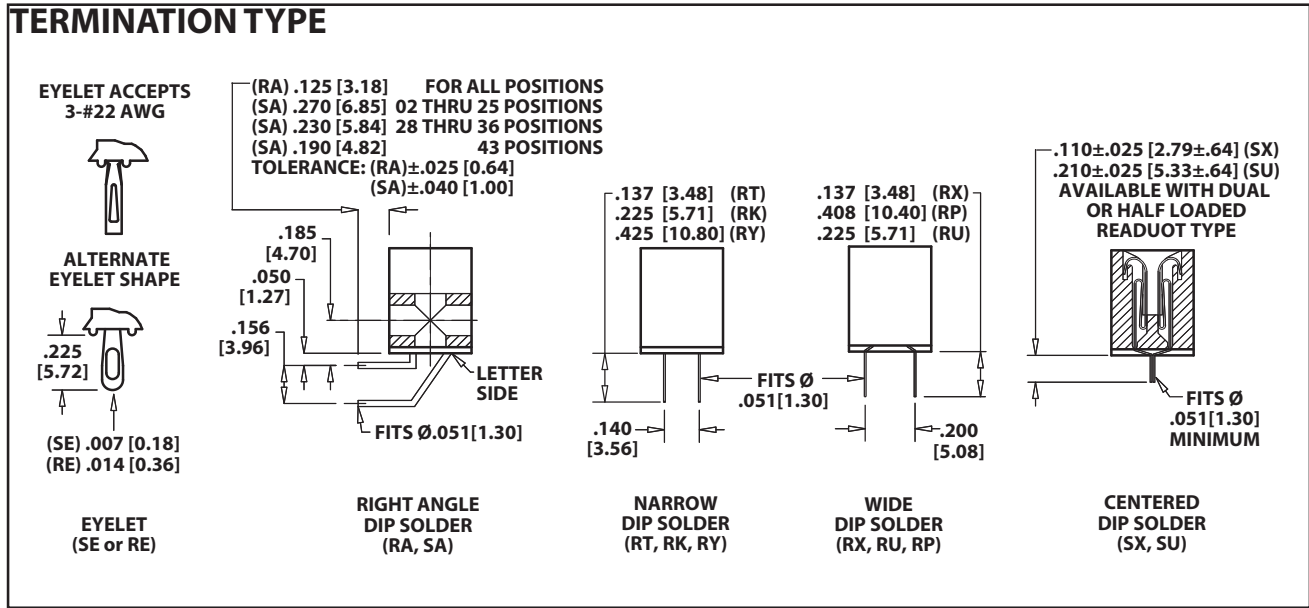
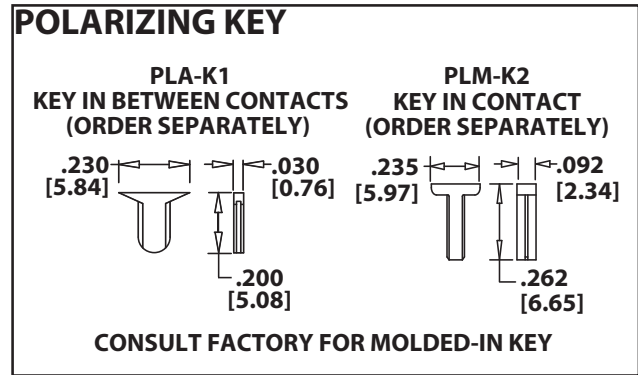
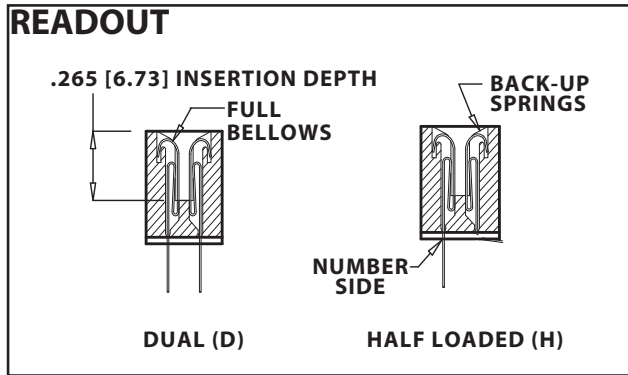
.156" [3.96 mm] Contact Centers, .431" [10.95 mm] Insulator Height Special Body Configuration Dip Solder/Eyelet/Right Angle

SPECIFICATIONS

- Accommodates .062" ± .008" [1.57 ± .20] PC board
- Molded-in key available
- 3 amp current rating per contact (for 5 amp application, consult factory)
- 30 milli ohm maximum at rated current



Sullins Edgecards





**.156" [3.96 mm] Contact Centers, .431" [10.95 mm] Insulator Height
Special Body Configuration Dip Solder/Eyelet/Right Angle**

Sullins Edgecards

PART NUMBER CODING

E B M 43 D RT H - S37

MATERIALS (Insulator/Contact)

- E = PBT/Phosphor Bronze (Standard)
- R = PPS/Phosphor Bronze
- G = PA9T/Phosphor bronze
- H = PBT/Beryllium Copper
- A = PPS/Beryllium Copper
- J = PA9T/Beryllium Copper
- *F = PPS/Spinodal (Overall Gold Plating Only)
Consult Factory for Special Soldering Guidelines
- *C = PPS/Beryllium Nickel (Overall Gold Plating Only)
- *W = PEEK/Beryllium Nickel (Overall Gold Plating Only)
- *Consult Factory for availability.

CONTACT FINISH - RoHS Compliant
All platings are Lead Free and have .000050" Nickel underplate

	Contact Surface	Termination
B =	.000010" Gold	.000100" Pure Tin, Matte
C =	.000030" Gold	.000100" Pure Tin, Matte
G =	.000010" Gold	.000005" Gold
Y =	.000030" Gold	.000005" Gold
	Contact Surface	Overall Plating
S =	.000010" Gold	.000010" Gold
M =	.000030" Gold	.000010" Gold
E =	.000100" Pure Tin, Matte	.000100" Pure Tin, Matte

CONTACT CENTERS
M = .156" [3.96mm]

NUMBER OF CONTACT POSITIONS
28 (14/14), 36 or 43

MODIFICATION CODE (Consult Factory)

- S37 = Reverse Contact ID & Shorter Card Slot Length
- S92 = Center Barrier Molded in Card Slot

MOUNTING STYLE (Opposite Page)

- H = .125" [3.18mm] Clearance Holes
- N = No Mounting
- S = Side Mounting
- I = Threaded Insert
- F = Floating Bobbin

TERMINATION TYPE (Opposite Page)

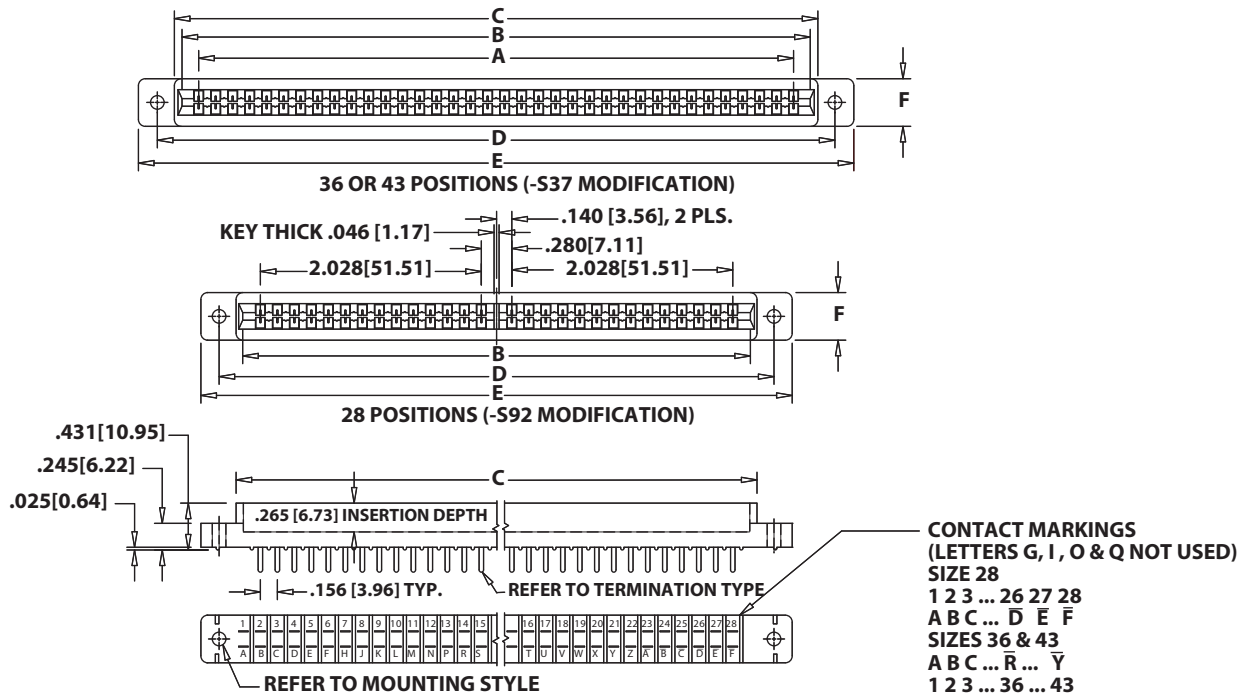
- RA = .125" Right Angle Dip Solder
- SA = Long Right Angle Dip Solder
- RT = .140" x .137" Dip Solder
- RK = .140" x .225" Dip Solder
- RY = .140" x .425" Dip Solder
- RX = .200" x .137" Dip Solder
- RU = .200" x .225" Dip Solder
- RP = .200" x .408" Dip Solder
- SX = .110" [2.79mm] Centered Dip Solder
- SU = .210" [5.33mm] Centered Dip Solder
- SE = .007" [0.18mm] Thick Eyelet
- RE = .014" [0.36mm] Thick Eyelet

READOUT (Opposite Page)

- D = Dual
- D = Dual Row/ Crimp to Center for Single Readout (SX, SU Termination Only)
- H = Half Loaded

DIMENSIONS

Dimensions in [] are in millimeters, all others are in inches.



Tolerances with PPS Insulator Material may vary slightly due to shrinkage differential; Consult Factory.

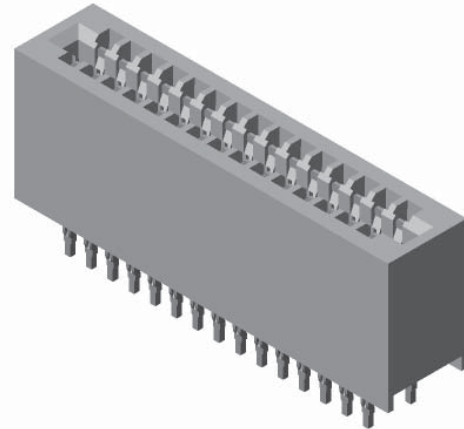
POSITIONS/ CONTACTS	INCHES						[MILLIMETERS]						CENTER BARRIER
	A±.008	B±.008	C±.015	D±.010	E MAX	F±.005	A±0.20	B±0.20	C±0.38	D±0.25	E MAX	F±0.13	
28/56		4.660	4.780	5.093	5.427	0.438		118.36	121.41	129.36	137.85	11.13	YES
36/72	5.460	5.766	5.906	6.219	6.566	0.438	138.68	146.46	150.01	157.96	166.78	11.13	NO
43/86	6.552	6.810	7.000	7.302	7.643	0.500	166.42	172.97	177.80	185.47	194.13	12.70	NO



.156" [3.96 mm] Contact Centers, .550" [13.97 mm] or .610" [15.49 mm] Profile Press Fit

SPECIFICATIONS

- Designed to meet specifications of Bellcore specification TR-TSY-00078.
- Flat rock installation eliminates the need for any special installation tool.
- Integrally molded scoops available to assist daughter card entry.
- Various insulator options per customer requirements, including:
 - Open ended on one side
 - Open ended on both sides to accommodate end to end mounting
 - Molded in keys per customer requirements.



FEATURES

COMPLIANT SECTION INSERTION FORCE

40 lbs maximum per contact

COMPLIANT SECTION WITHDRAWAL FORCE

10 lbs minimum per contact

HOLE SIZE REQUIREMENTS

Drilled Hole Diameter: $.0453" \pm .0010"$ [1.15 ± .03]

Plating: $.001"$ [.03] to $.003"$ [.08] Copper and $.0003"$ [.01] Minimum Tin

FINISHED HOLE DIAMETER

$.040" \pm .003"$ [1.02 ± .08]

SUITABLE FOR .062" [1.57] DAUGHTER CARD

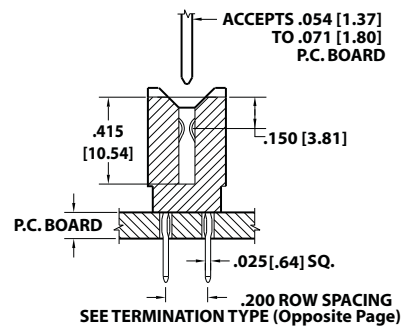
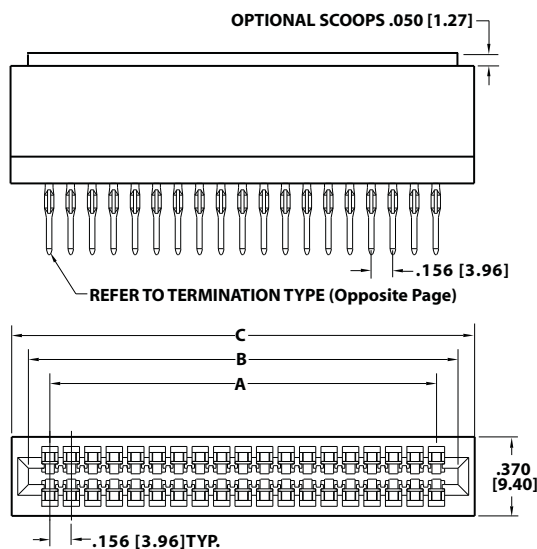
RECOMMENDED MOTHERBOARD THICKNESS

$.093"$ to $.125"$ [2.36 to 3.18]

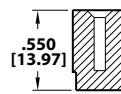
UL-CUL RECOGNIZED

DIMENSIONS

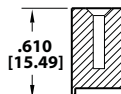
Dimensions in [] are in millimeters, all others are in inches.



-S1136 (WITH SCOOPS) SHOWN ABOVE



WITHOUT STANDOFFS



WITH STANDOFFS

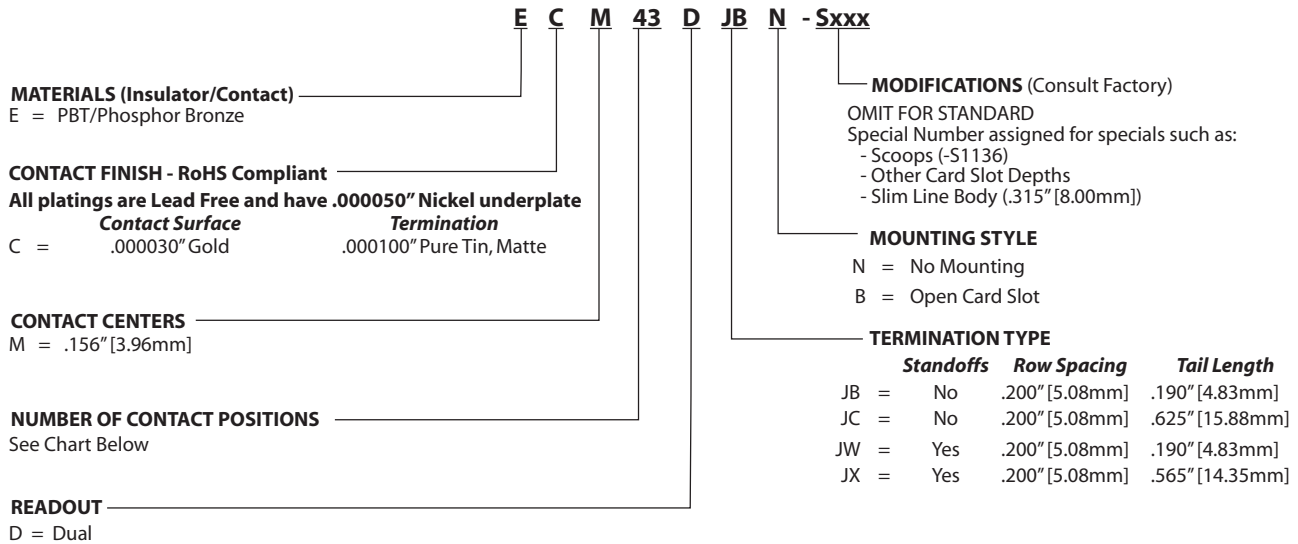
STANDOFF VIEWS WITH NO SCOOPS SHOWN



**.156" [3.96 mm] Contact Centers, .550" [13.97 mm] or .610" [15.49 mm] Profile
Press Fit**

Sullins Edgecards

PART NUMBER CODING



POSITIONS/ CONTACTS	A±.008[0.20]		B±.008[0.20]		C±.015[0.38]	
	INCH	[MM]	INCH	[MM]	INCH	[MM]
05/10	0.624	15.85	0.944	23.98	1.080	27.43
06/12	0.780	19.81	1.100	27.94	1.236	31.39
07/14	0.936	23.77	1.256	31.90	1.392	35.36
08/16	1.092	27.74	1.412	35.86	1.548	39.32
09/18	1.248	31.70	1.568	39.83	1.704	43.28
10/20	1.404	35.66	1.724	43.79	1.860	47.24
11/22	1.560	39.62	1.880	47.75	2.016	51.21
12/24	1.716	43.59	2.036	51.71	2.172	55.17
13/26	1.872	47.55	2.192	55.68	2.328	59.13
14/28	2.028	51.51	2.348	59.64	2.484	63.09
15/30	2.184	55.47	2.504	63.60	2.640	67.06
16/32	2.340	59.44	2.660	67.56	2.796	71.02
17/34	2.496	63.40	2.816	71.53	2.952	74.98
18/36	2.652	67.36	2.972	75.49	3.108	78.94
19/38	2.808	71.32	3.128	79.45	3.264	82.91
20/40	2.964	75.29	3.284	83.41	3.420	86.87
21/42	3.120	79.25	3.440	87.38	3.576	90.83
22/44	3.276	83.21	3.596	91.34	3.732	94.79

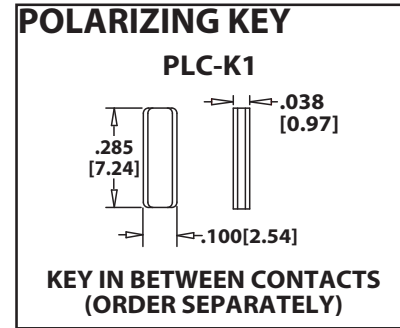
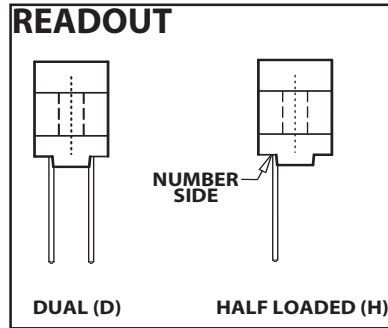
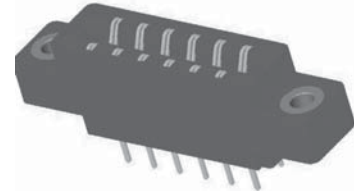
POSITIONS/ CONTACTS	A±.008[0.20]		B±.008[0.20]		C±.015[0.38]	
	INCH	[MM]	INCH	[MM]	INCH	[MM]
23/46	3.432	87.17	3.752	95.30	3.888	98.76
24/48	3.588	91.14	3.908	99.26	4.044	102.72
25/50	3.744	95.10	4.064	103.23	4.200	106.68
26/52	3.900	99.06	4.220	107.19	4.356	110.64
27/54	4.056	103.02	4.376	111.15	4.512	114.60
28/56	4.212	106.98	4.532	115.11	4.668	118.57
29/58	4.368	110.95	4.688	119.08	4.824	122.53
30/60	4.524	114.91	4.844	123.04	4.980	126.49
31/62	4.680	118.87	5.000	127.00	5.136	130.45
32/64	4.836	122.83	5.156	130.96	5.292	134.42
33/66	4.992	126.80	5.312	134.92	5.448	138.38
34/68	5.148	130.76	5.468	138.89	5.604	142.34
35/70	5.304	134.72	5.624	142.85	5.760	146.30
36/72	5.460	138.68	5.780	146.81	5.916	150.27
37/74	5.616	142.65	5.936	150.77	6.072	154.23
38/76	5.772	146.61	6.092	154.74	6.228	158.19
39/78	5.928	150.57	6.248	158.70	6.384	162.15



**.156" [3.96 mm] Contact Centers, .610" [15.49 mm] Insulator Height
Dip Solder/Wire Wrap/Right Angle/Card Extender**

SPECIFICATIONS

- Accommodates .062" ± .008" [1.57 ± .20] PC board (See page68/69 for .093" ± .008" [2.36 ± .20] and .125" ± .008" [3.18 ± .20] boards)
- PBT, PPS or PA9T insulator
- Molded-in key available
- 3 amp current rating per contact
- 30 milli ohm maximum at rated current

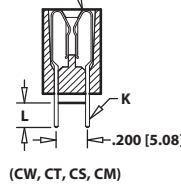


Sullins Edgards

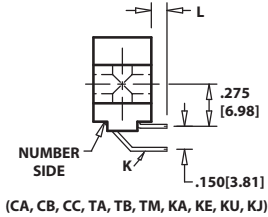
TERMINATION TYPE

HAIRPIN BELLOWS	TERMINATION TYPE	POST CROSS SECTION K	POST LENGTH L .025 [.64]	FITS MIN. HOLE SIZE
CW	DIP SOLDER	.015 x .025 [.38 x .64]	.125 [3.18]	.035 [0.76]
CT	DIP SOLDER	.015 x .025 [.38 x .64]	.170 [4.32]	.035 [0.76]
CS	DIP SOLDER	.025 [.64] SQUARE	.160 [4.06]	.040 [1.02]
CM	WIRE WRAP	.025 [.64] SQUARE	.560 [14.20]	.040 [1.02]
CA	RIGHT ANGLE	.025 [.64] SQUARE	.100 [2.54]	.043 [1.09]
CB	RIGHT ANGLE	.025 [.64] SQUARE	.180 [4.57]	.043 [1.09]
CC	RIGHT ANGLE	.025 [.64] SQUARE	.250 [6.35]	.043 [1.09]

HAIRPIN BELLOWS

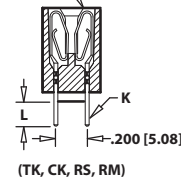


RIGHT ANGLE

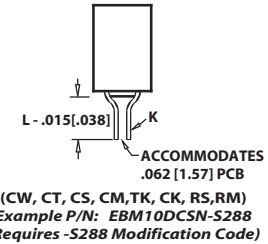


LOOP BELLOWS	TERMINATION TYPE	POST CROSS SECTION K	POST LENGTH L .025 [.64]	FITS MIN. HOLE SIZE
TK,CK	DIP SOLDER	.026 [.66] ROUND	.190 [4.83]	.030 [0.76]
RS	DIP SOLDER	.025 [.64] SQUARE	.190 [4.83]	.040 [1.02]
RM	WIRE WRAP	.025 [.64] SQUARE	.560 [14.20]	.040 [1.02]
TA	RIGHT ANGLE	.025 [.64] SQUARE	.100 [2.54]	.043 [1.09]
TB	RIGHT ANGLE	.025 [.64] SQUARE	.180 [4.57]	.043 [1.09]
TM	RIGHT ANGLE	.025 [.64] SQUARE	.250 [6.35]	.043 [1.09]

LOOP BELLOWS

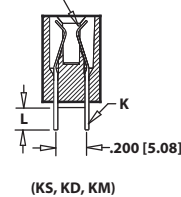


HAIRPIN or LOOP CARD EXTENDER

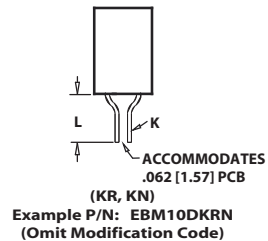


CANTILEVER	TERMINATION TYPE	POST CROSS SECTION K	POST LENGTH L .025 [.64]	FITS MIN. HOLE SIZE
KS	DIP SOLDER	.025 [.64] SQUARE	.190 [4.83]	.040 [1.02]
KD	DIP SOLDER	.025 [.64] SQUARE	.160 [4.06]	.043 [1.09]
KM	WIRE WRAP	.025 [.64] SQUARE	.560 [14.20]	.040 [1.02]
*KA	RIGHT ANGLE	.025 [.64] SQUARE	.100 [2.54]	.043 [1.09]
*KE	RIGHT ANGLE	.025 [.64] SQUARE	.180 [4.57]	.043 [1.09]
*KU	RIGHT ANGLE	.025 [.64] SQUARE	.250 [6.35]	.043 [1.09]
*KJ	RIGHT ANGLE	.025 [.64] SQUARE	.500 [12.70]	.043 [1.09]
*KR	CARD EXTENDER	.025 [.64] SQUARE	.235 [5.97]	N/A
*KN	CARD EXTENDER	.025 [.64] SQUARE	.605 [15.37]	N/A

CANTILEVER

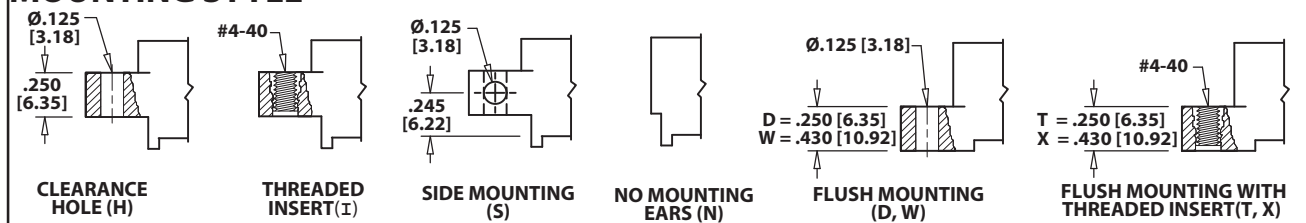


CANTILEVER CARD EXTENDER



* KA, KE, KJ, KR, KN have no standoffs, unless requested.

MOUNTING STYLE





**.156" [3.96 mm] Contact Centers, .610" [15.49 mm] Insulator Height
Dip Solder/Wire Wrap/Right Angle/Card Extender**

Sullins Edgecards

PART NUMBER CODING

E B M 43 D CM H - Sxxx

MATERIALS (Insulator/Contact)
 E = PBT/Phosphor Bronze (Standard)
 R = PPS/Phosphor Bronze
 G = PA9T/Phosphor Bronze
 A = PPS/Beryllium Copper
 J = PA9T/Beryllium Copper
 (Consult Factory For Other Materials)

CONTACT FINISH - RoHS Compliant
 All platings are Lead Free and have .000050" Nickel underplate

Contact Surface	Termination
B = .000010" Gold	.000100" Pure Tin, Matte
C = .000030" Gold	.000100" Pure Tin, Matte
G = .000010" Gold	.000005" Gold
Y = .000030" Gold	.000005" Gold
Contact Surface	Overall Plating
S = .000010" Gold	.000010" Gold
M = .000030" Gold	.000010" Gold
E = .000100" Pure Tin, Matte	.000100" Pure Tin, Matte

CONTACT CENTERS
 M = .156" [3.96mm]

NUMBER OF CONTACT POSITIONS
 See Chart Below

READOUT (Opposite Page)
 D = Dual
 H = Half Loaded

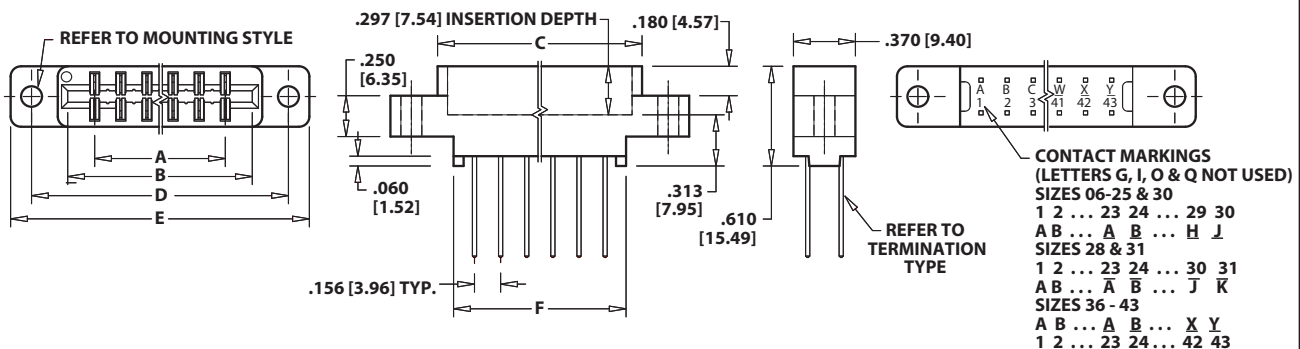
MODIFICATION CODE (Consult Factory)
 OMIT FOR STANDARD
 -S189 = .200" [5.08mm] Row to Row on Right Angle
 -S288* = Card Extender Accepts .062" [1.57] PCB
 * Not Required on KR or KN Terminations

MOUNTING STYLE (Opposite Page)
 H = Clearance Holes
 I = Threaded Inserts
 S = Side Mounting
 N = No Mounting
 D, W = Flush Mounting
 T, X = Flush Mounting With Threaded Inserts

TERMINATION TYPE (Opposite Page)
Hairpin Bellows - Available with B or C plating and Phosphor Bronze Only
 CS = .025" [.64mm] Square Dip Solder
 CM = .025 [.64mm] Square Wire Wrap
 CA, CB, CC = .025" [.64mm] Square Right Angle
 CW, CT = .015" x .025" [.38 x .64] Dip Solder
Loop Bellows
 RS = .025" [0.64mm] Square Dip Solder
 CK, TK = .026" [0.66mm] Round Dip Solder
 RM = .025" [0.64mm] Square Wire Wrap
 TA, TB, TM = .025" [.64mm] Square Right Angle
Cantilever Bellows - Available in Y, B, or C Contact Finish Only
Not Available with R or A Materials
 KS, KD = .025" [.64mm] Square Dip Solder
 KM = .025 [.64mm] Square Wire Wrap
 KA, KE, KU, KJ = .025" [.64mm] Square Right Angle
 KR, KN = .025" [.64mm] Square Card Extender

DIMENSIONS

Dimensions in [] are in millimeters, all others are in inches.



Tolerances with PPS Insulator Material may vary slightly due to shrinkage differential; Consult Factory.

POSITIONS/ CONTACTS	INCHES						[MILLIMETERS]					
	A±.008	B±.008	C±.015	D±.010	E±.020	F±.015	A±0.20	B±0.20	C±0.38	D±0.25	E±0.51	F±0.38
06/12	0.780	1.102	1.221	1.534	1.784	1.030	19.81	27.99	31.01	38.96	45.31	26.16
08/16	1.092	1.414	1.533	1.846	2.096	1.342	27.74	35.92	38.94	46.89	53.24	34.09
10/20	1.404	1.726	1.845	2.158	2.408	1.654	35.66	43.84	46.86	54.81	61.16	42.01
12/24	1.716	2.038	2.157	2.470	2.720	1.966	43.59	51.77	54.79	62.74	69.09	49.94
15/30	2.184	2.506	2.625	2.938	3.188	2.434	55.47	63.65	66.68	74.63	80.98	61.82
18/36	2.652	2.974	3.093	3.406	3.656	2.902	67.36	75.54	78.56	86.51	92.86	73.71
20/40*	2.964	3.286	3.405	3.718	3.968	3.214	75.29	83.46	86.49	94.44	100.79	81.64
22/44	3.276	3.598	3.717	4.030	4.280	3.526	83.21	91.39	94.41	102.36	108.71	89.56
24/48	3.588	3.910	4.029	4.342	4.592	3.838	91.14	99.31	102.34	110.29	116.64	97.49
25/50	3.744	4.066	4.185	4.498	4.748	3.994	95.10	103.28	106.30	114.25	120.60	101.45
28/56	4.212	4.534	4.653	4.966	5.216	4.462	106.98	115.16	118.19	126.14	132.49	113.33
30/60	4.524	4.846	4.965	5.278	5.528	4.774	114.91	123.09	126.11	134.06	140.41	121.26
31/62	4.680	5.002	5.121	5.434	5.684	4.930	118.87	127.05	130.07	138.02	144.37	125.22
36/72	5.460	5.782	5.901	6.214	6.464	5.710	138.68	146.86	149.89	157.84	164.19	145.03
40/80	6.084	6.406	6.525	6.838	7.088	6.334	154.53	162.71	165.74	173.69	180.04	160.88
43/86	6.552	6.874	6.993	7.306	7.556	6.802	166.42	174.60	177.62	185.57	191.92	172.77

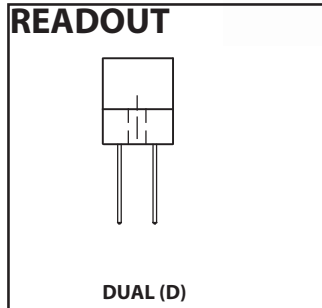
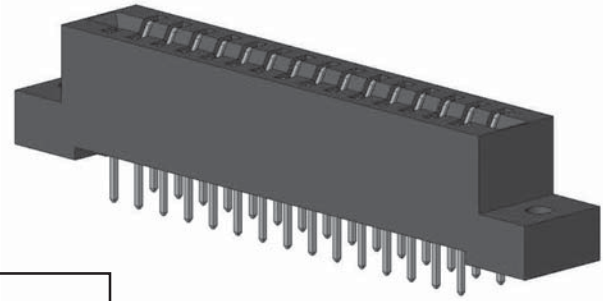
* Consult Factory for availability.



.156" [3.96 mm] Contact Centers, .610" [15.49 mm] Insulator Height
Dip Solder/Wire Wrap/Right Angle for .093" [2.36] or .125" [3.18] Mating PCB

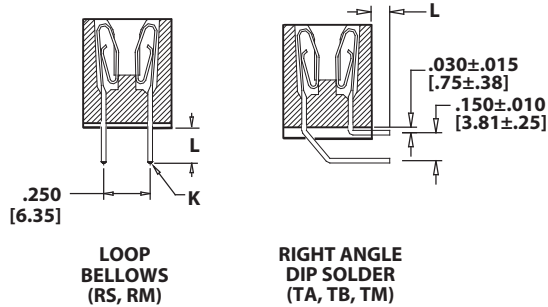
SPECIFICATIONS

- Accommodates $.093" \pm .008"$ [2.36 ± .20] or $.125" \pm .008"$ [3.18 ± .20] mating PCB (Consult factory for $.031" \pm .008"$ [.79 ± .20] boards)
- PBT, PPS or PA9T insulator
- Molded-in key available
- 3 amp current rating per contact
- 30 milli ohm maximum at rated current



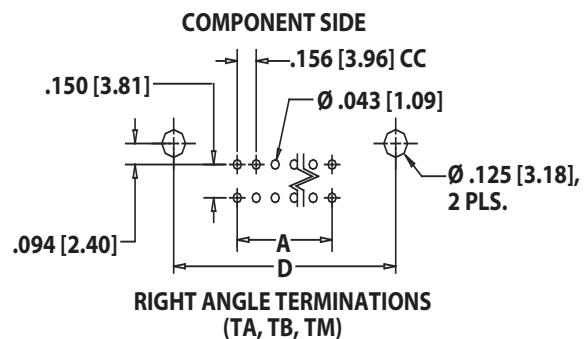
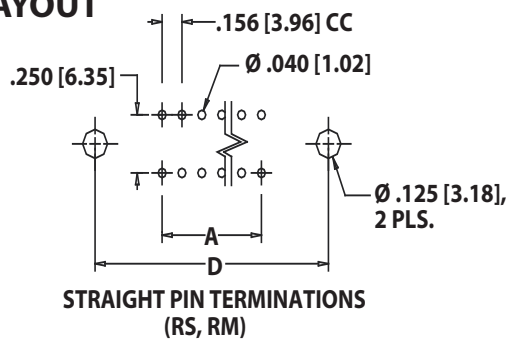
Sullins Edgecards

TERMINATION TYPE

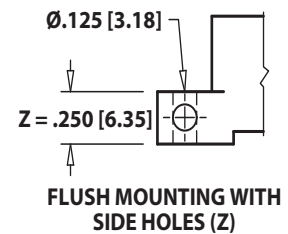
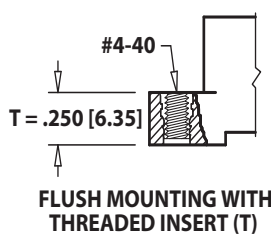
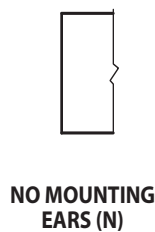
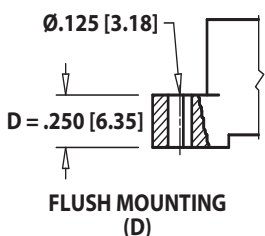


TERMINATION TYPE		POST CROSS SECTION (K)	POST LENGTH L ±.025 [.64]	FITS MIN. HOLE SIZE
RS	Dip Solder	.025 [.64] SQUARE	.190 [4.83]	.040 [1.02]
RM	Wire Wrap	.025 [.64] SQUARE	.560 [14.20]	.040 [1.02]
TA	Right Angle	.025 [.64] SQUARE	.100 [2.54]	.043 [1.09]
TB	Right Angle	.025 [.64] SQUARE	.180 [4.57]	.043 [1.09]
TM	Right Angle	.025 [.64] SQUARE	.250 [6.35]	.043 [1.09]

PCB LAYOUT



MOUNTING STYLE





**.156" [3.96 mm] Contact Centers, .610" [15.49 mm] Insulator Height
Dip Solder/Wire Wrap/Right Angle for .093" [2.36] or .125" [3.18] Mating PCB**

Sullins Edgecards

PART NUMBER CODING

E B M 43 D RM D - S273

MATERIALS (Insulator/Contact)
 E = PBT/Phosphor Bronze (Standard)
 R = PPS/Phosphor Bronze
 G = PA9T/Phosphor Bronze
 A = PPS/Beryllium Copper
 J = PA9T/Beryllium Copper
 (Consult Factory For Other Materials)

CONTACT FINISH - RoHS Compliant
 All platings are Lead Free and have .000050" Nickel underplate

	Contact Surface	Termination
B =	.000010" Gold	.000100" Pure Tin, Matte
C =	.000030" Gold	.000100" Pure Tin, Matte
G =	.000010" Gold	.000005" Gold
Y =	.000030" Gold	.000005" Gold

	Contact Surface	Overall Plating
S =	.000010" Gold	.000010" Gold
M =	.000030" Gold	.000010" Gold
E =	.000100" Pure Tin, Matte	.000100" Pure Tin, Matte

CONTACT CENTERS
 M = .156" [3.96mm]

MODIFICATION CODE (Consult Factory)
 -S273 = FOR .093" ± .008" [2.36 ± .20] THICK MATING PCB
 -S664 = FOR .125" ± .008" [3.18 ± .20] THICK MATING PCB

MOUNTING STYLE (Opposite Page)
 N = No Mounting
 D = Flush Mounting
 T = Flush Mounting With Threaded Inserts
 Z = Flush Mounting With Side Holes

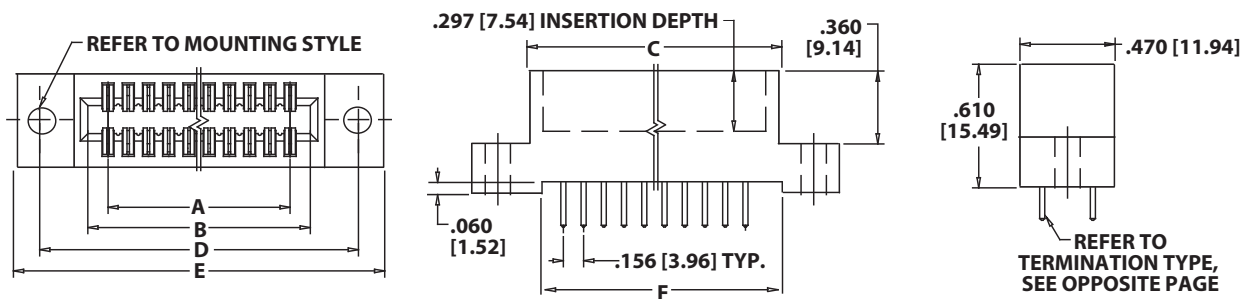
TERMINATION TYPE (Opposite Page)
 RS = .025" [.64mm] Square Dip Solder
 RM = .025" [.64mm] Square Wire Wrap
 TA, TB, TM = .025" [.64mm] Square Right Angle

READOUT (Opposite Page)
 D = Dual

NUMBER OF CONTACT POSITIONS
 See Chart Below

DIMENSIONS

Dimensions in [] are in millimeters, all others are in inches.



Tolerances with PPS Insulator Material may vary slightly due to shrinkage differential: Consult Factory.

POSITIONS/ CONTACTS	INCHES						[MILLIMETERS]					
	A±.008	B±.008	C±.015	D±.010	E±.020	F±.015	A±0.20	B±0.20	C±0.38	D±0.25	E±0.51	F±0.38
06/12	0.780	1.102	1.221	1.534	1.784	1.104	19.81	27.99	31.01	38.96	45.31	28.04
08/16	1.092	1.414	1.533	1.846	2.096	1.416	27.74	35.92	38.94	46.89	53.24	35.97
10/20	1.404	1.726	1.845	2.158	2.408	1.728	35.66	43.84	46.86	54.81	61.16	43.89
12/24	1.716	2.038	2.157	2.470	2.720	2.040	43.59	51.77	54.79	62.74	69.09	51.82
15/30	2.184	2.506	2.625	2.938	3.188	2.508	55.47	63.65	66.68	74.63	80.98	63.70
18/36*	2.652	2.974	3.093	3.406	3.656	2.976	67.36	75.54	78.56	86.51	92.86	75.59
20/40*	2.964	3.286	3.405	3.718	3.968	3.288	75.29	83.46	86.49	94.44	100.79	83.52
22/44	3.276	3.598	3.717	4.030	4.280	3.600	83.21	91.39	94.41	102.36	108.71	91.44
24/48*	3.588	3.910	4.029	4.342	4.592	3.912	91.14	99.31	102.34	110.29	116.64	99.37
25/50*	3.744	4.066	4.185	4.498	4.748	4.068	95.10	103.28	106.30	114.25	120.60	103.33
28/56*	4.212	4.534	4.653	4.966	5.216	4.536	106.98	115.16	118.19	126.14	132.49	115.21
30/60*	4.524	4.846	4.965	5.278	5.528	4.848	114.91	123.09	126.11	134.06	140.41	123.14
31/62*	4.680	5.002	5.121	5.434	5.684	5.004	118.87	127.05	130.07	138.02	144.37	127.10
32/64	4.836	5.158	5.277	5.590	5.840	5.160	122.83	131.01	134.04	141.99	148.34	131.06
36/72	5.460	5.782	5.901	6.214	6.464	5.784	138.68	146.86	149.89	157.84	164.19	146.91
40/80*	6.084	6.406	6.525	6.838	7.088	6.408	154.53	162.71	165.74	173.69	180.04	162.76
43/86*	6.552	6.874	6.993	7.306	7.556	6.876	166.42	174.60	177.62	185.57	191.92	174.65

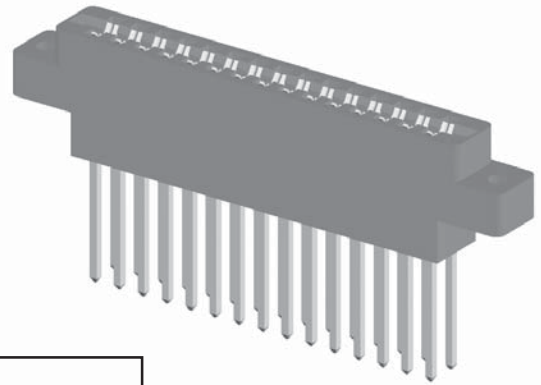
* Consult Factory for availability.



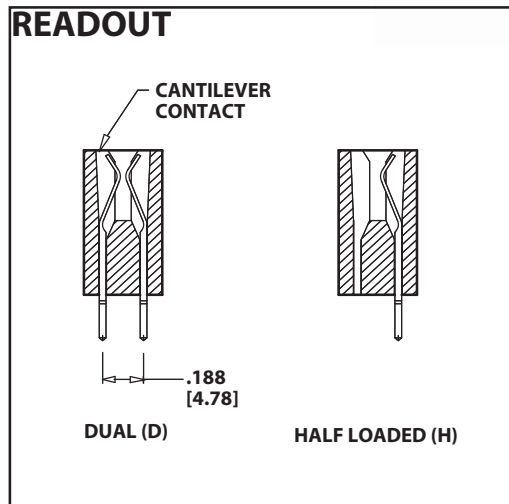
**.156" [3.96 mm] Contact Centers, .720" [18.29 mm] Insulator Height
.045" [1.14 mm] square / .031" [.79 mm] x .062" [1.57 mm] Wire Wrap**

SPECIFICATIONS

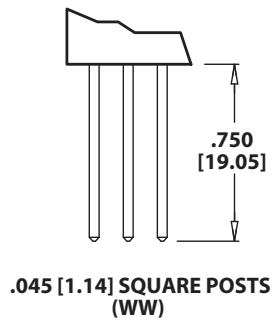
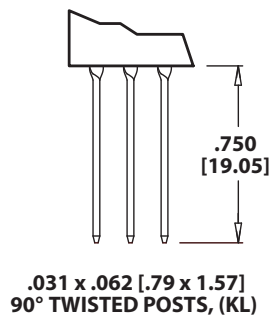
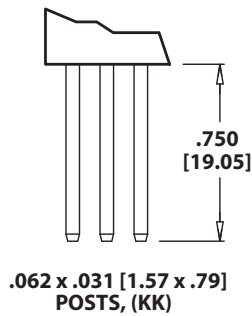
- Accommodates .062" ± .008" [1.57 ± .20] PC board
- PBT insulator
- Molded-in key available
- In Between Contact Key use PLC-K1, see page 142 (sold separately)
- 5 amp current rating per contact
- 30 milli ohm maximum at rated current



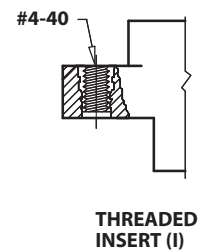
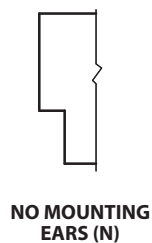
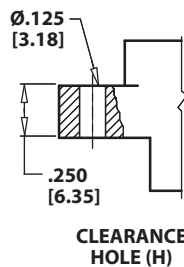
Sullins Edgecards



TERMINATION TYPE



MOUNTING STYLE





**.156" [3.96mm] Contact Centers, .720" [18.29 mm] Insulator Height
.045" [1.14 mm] square / .031" [.79 mm] x .062" [1.57 mm] Wire Wrap**

Sullins Edgecards

PART NUMBER CODING

E B M 43 D KK H - Sxxx

MATERIALS (Insulator/Contact)
E = PBT/Phosphor Bronze (Standard)
(Consult Factory For Other Materials)

CONTACT FINISH - RoHS Compliant
All platings are Lead Free and have .000050" Nickel underplate

	Contact Surface	Termination
B =	.000010" Gold	.000100" Pure Tin, Matte
C =	.000030" Gold	.000100" Pure Tin, Matte
G =	.000010" Gold	.000005" Gold
Y =	.000030" Gold	.000005" Gold
	Contact Surface	Overall Plating
S =	.000010" Gold	.000010" Gold
M =	.000030" Gold	.000010" Gold
E =	.000100" Pure Tin, Matte	.000100" Pure Tin, Matte

CONTACT CENTERS
M = .156" [3.96mm]

MODIFICATION CODE (Consult Factory)
OMIT FOR STANDARD

MOUNTING STYLE (Opposite page)
H = Clearance Hole
N = No Mounting
I = Threaded Inserts

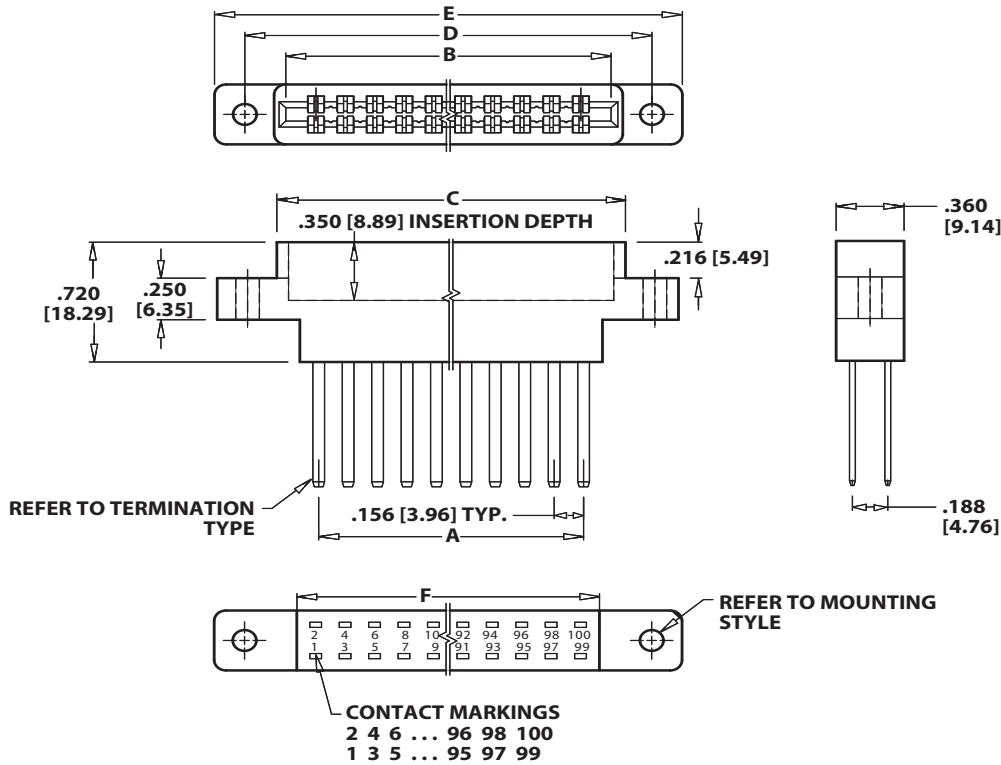
TERMINATION TYPE (Opposite Page)
KK = .031" [.79mm] x .062" [1.57mm] Post
KL = .031" [.79mm] x .062" [1.57mm] Post, Twisted 90°
WW = .045" [1.14mm] Square Post

READOUT (Opposite Page)
D = Dual Row
H = Half Loaded

NUMBER OF CONTACT POSITIONS
See Chart Below

DIMENSIONS

Dimensions in [] are in millimeters, all others are in inches.



POSITIONS/ CONTACTS	INCHES						[MILLIMETERS]					
	A±.008	B±.008	C±.015	D±.010	E±.020	F±.015	A±0.20	B±0.20	C±0.38	D±0.25	E±0.51	F±0.38
06/12*	0.780	1.100	1.224	1.534	1.784	0.980	19.81	27.94	31.09	38.96	45.31	24.89
10/20	1.404	1.724	1.848	2.158	2.408	1.604	35.66	43.79	46.94	54.81	61.16	40.74
12/24	1.716	2.036	2.160	2.470	2.720	1.916	43.59	51.71	54.86	62.74	69.09	48.67
15/30	2.184	2.504	2.628	2.938	3.188	2.384	55.47	63.60	66.75	74.63	80.98	60.55
18/36	2.652	2.972	3.096	3.406	3.656	2.852	67.36	75.49	78.64	86.51	92.86	72.44
22/44	3.276	3.596	3.720	4.030	4.280	3.476	83.21	91.34	94.49	102.36	108.71	88.29
25/50*	3.744	4.064	4.188	4.498	4.748	3.944	95.10	103.23	106.38	114.25	120.60	100.18
28/56	4.212	4.532	4.656	4.966	5.216	4.412	106.98	115.11	118.26	126.14	132.49	112.06
30/60*	4.524	4.844	4.968	5.278	5.528	4.724	114.91	123.04	126.19	134.06	140.41	119.99
31/62*	4.680	5.000	5.124	5.434	5.684	4.880	118.87	127.00	130.15	138.02	144.37	123.95
36/72	5.460	5.780	5.904	6.214	6.464	5.660	138.68	146.81	149.96	157.84	164.19	143.76
43/86*	6.552	6.872	6.996	7.306	7.556	6.752	166.42	174.55	177.70	185.57	191.92	171.50
50/100*	7.644	7.964	8.088	8.398	8.648	7.844	194.16	202.29	205.44	213.31	219.66	199.24

* Consult Factory for availability.



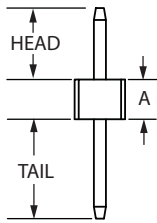
1.00 mm [.039"] Male Headers, Straight, Right Angle, SMT

SPECIFICATIONS

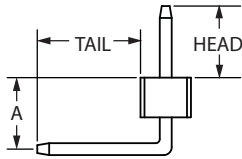
- 1 amp current rating
- UL Flammability Rating: 94V-0
- Insulator Material: Black LCP
- Contact Material: Phosphor Bronze
- Insulator Resistance: 1000 Mega OHMS Min.
- Contact Resistance: 20 Milli OHMS Max.
- Dielectric Withstanding: AC 300V
- Operating Temperature: -40°C to +125°C
- Processing Temperature: 260°C for 10 seconds Max.
- Mates with Female SFM series



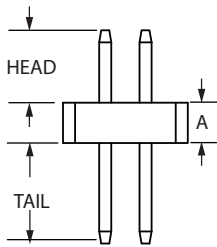
TERMINATION TYPE



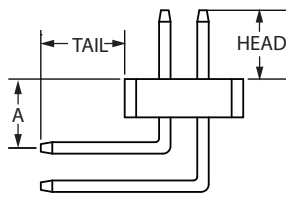
Straight, (ST)



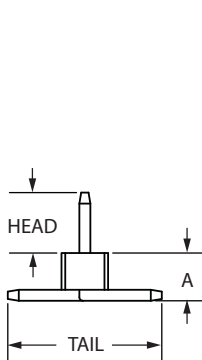
Right Angle, (RA)



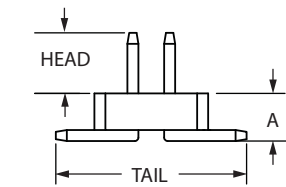
Straight, (ST)



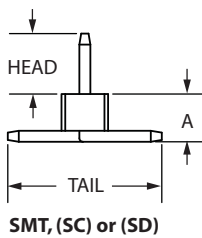
Right Angle, (RA)



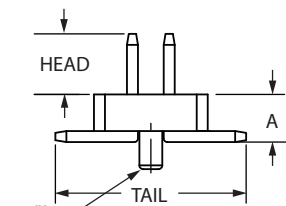
SMT, (SC) or (SD)



SMT Without Guide Posts, (SM)



SMT, (SC) or (SD)



Ø .60 [.024"]

SMT With Guide Posts, (SP)

SINGLE ROW

EXAMPLE P/N	HEAD	TAIL	A
STRAIGHT TERMINATION			
SMH100-LPPE-S10-ST-BK	1.80 [.071"]	2.50 [.098"]	1.00 [.039"]
RIGHT ANGLE TERMINATION			
SMH100-LPPE-S10-RA-BK	1.80 [.071"]	2.60 [.102"]	1.80 [.071"]

DUAL ROW

EXAMPLE P/N	HEAD	TAIL	A
STRAIGHT TERMINATIONS			
SMH100-LPPE-D10-ST-BK	1.80 [.071"]	2.50 [.098"]	1.00 [.039"]
SMH150-LPPE-D10-ST-BK	1.80 [.071"]	2.50 [.098"]	1.50 [.059"]
RIGHT ANGLE TERMINATION			
SMH100-LPPE-D10-RA-BK	1.80 [.071"]	2.60 [.102"]	1.80 [.071"]

SURFACE MOUNT TERMINATIONS

EXAMPLE P/N	HEAD	TAIL	A
SINGLE ROW			
SMH100-LPPE-S10-SC-BK	1.65 [.065"]	4.20 [.165"]	1.30 [.051"]
SMH100-LPPE-S10-SD-BK	1.65 [.065"]	4.20 [.165"]	1.30 [.051"]
DUAL ROW			
SMH101-LPPE-D10-SM-BK	1.65 [.065"]	5.20 [.205"]	1.30 [.051"]
SMH101-LPPE-D10-SP-BK	1.65 [.065"]	5.20 [.205"]	1.30 [.051"]
SMH102-LPPE-D10-SM-BK	1.90 [.075"]	5.20 [.205"]	1.30 [.051"]
SMH102-LPPE-D10-SP-BK	1.90 [.075"]	5.20 [.205"]	1.30 [.051"]
SMH151-LPPE-D10-SM-BK	1.65 [.065"]	5.20 [.205"]	1.80 [.071"]
SMH151-LPPE-D10-SP-BK	1.65 [.065"]	5.20 [.205"]	1.80 [.071"]
SMH152-LPPE-D10-SM-BK	1.90 [.075"]	5.20 [.205"]	1.80 [.071"]
SMH152-LPPE-D10-SP-BK	1.90 [.075"]	5.20 [.205"]	1.80 [.071"]



1.00 mm [.039"] Male Headers, Straight, Right Angle, SMT

PART NUMBER OPTIONS

SMH100 - L P P E - S 10 - ST - BK

SERIES (See Opposite Page)

SMH100 = 1.00 mm [.039"] Profile, 1.80 mm [.071"] Head Height
 SMH101 = 1.00 mm [.039"] Profile, 1.65 mm [.065"] Head Height
 SMH102 = 1.00 mm [.039"] Profile, 1.90 mm [.075"] Head Height
 SMH150 = 1.50 mm [.059"] Profile, 1.80 mm [.071"] Head Height
 SMH151 = 1.50 mm [.059"] Profile, 1.65 mm [.065"] Head Height
 SMH152 = 1.50 mm [.059"] Profile, 1.90 mm [.075"] Head Height

HOUSING MATERIAL

L = LCP

CONTACT MATERIAL

P = Phosphor Bronze

CONTACT FINISH - RoHS Compliant

P = Gold Flash Overall
 S = 10u" Gold Overall

CONTACT CENTERS

E = 1.00 mm [.039"]

COLOR

BK = Black

TERMINATION TYPE (See Opposite Page)

ST = Straight (1 & 2 Row)
 RA = Right Angle (1 & 2 Row)
 SC = Surface Mount, Standard (1 Row)
 SD = Surface Mount, Opposite Bend,
 Applicable on Even pin Counts (1 Row)
 SM = Surface Mount without Guide Posts (2 Row)
 SP = Surface Mount with Guide Posts (2 Row)

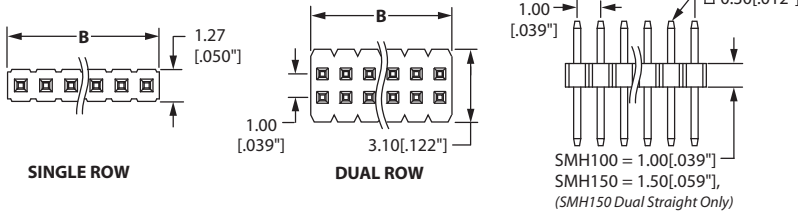
NUMBER OF CONTACT POSITIONS (Pins per Row)
02 thru 50

NUMBER OF ROWS

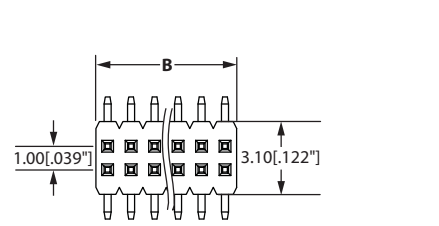
S = Single Row
 D = Dual Row

DIMENSIONS

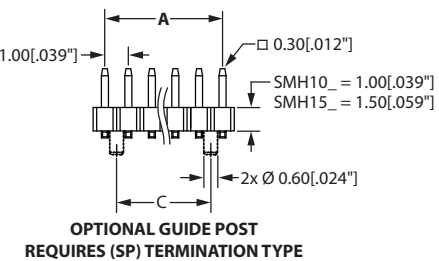
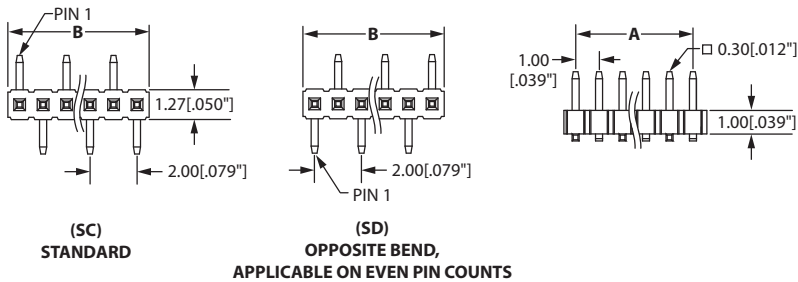
STRAIGHT (SHOWN) & RIGHT ANGLE



SURFACE MOUNT, DUAL ROW



SURFACE MOUNT, SINGLE ROW



Positions	Number of Contacts Single/Dual	DIMENSION A		DIMENSION B		DIMENSION C		Positions	Number of Contacts Single/Dual	DIMENSION A		DIMENSION B		DIMENSION C	
		mm	[Inches]	mm	[Inches]	mm	[Inches]			mm	[Inches]	mm	[Inches]	mm	[Inches]
02*	02/04	1.00	0.039	2.00	0.079	N/A	N/A	26	26/52	25.00	0.984	26.00	1.024	24.00	0.945
03	03/06	2.00	0.079	3.00	0.118	1.00	0.039	27	27/54	26.00	1.024	27.00	1.063	25.00	0.984
04	04/08	3.00	0.118	4.00	0.157	2.00	0.079	28	28/56	27.00	1.063	28.00	1.102	26.00	1.024
05	05/10	4.00	0.157	5.00	0.197	3.00	0.118	29	29/58	28.00	1.102	29.00	1.142	27.00	1.063
06	06/12	5.00	0.197	6.00	0.236	4.00	0.157	30	30/60	29.00	1.142	30.00	1.181	28.00	1.102
07	07/14	6.00	0.236	7.00	0.276	5.00	0.197	31	31/62	30.00	1.181	31.00	1.220	29.00	1.142
08	08/16	7.00	0.276	8.00	0.315	6.00	0.236	32	32/64	31.00	1.220	32.00	1.260	30.00	1.181
09	09/18	8.00	0.315	9.00	0.354	7.00	0.276	33	33/66	32.00	1.260	33.00	1.299	31.00	1.220
10	10/20	9.00	0.354	10.00	0.394	8.00	0.315	34	34/68	33.00	1.299	34.00	1.339	32.00	1.260
11	11/22	10.00	0.394	11.00	0.433	9.00	0.354	35	35/70	34.00	1.339	35.00	1.378	33.00	1.299
12	12/24	11.00	0.433	12.00	0.472	10.00	0.394	36	36/72	35.00	1.378	36.00	1.417	34.00	1.339
13	13/26	12.00	0.472	13.00	0.512	11.00	0.433	37	37/74	36.00	1.417	37.00	1.457	35.00	1.378
14	14/28	13.00	0.512	14.00	0.551	12.00	0.472	38	38/76	37.00	1.457	38.00	1.496	36.00	1.417
15	15/30	14.00	0.551	15.00	0.591	13.00	0.512	39	39/78	38.00	1.496	39.00	1.535	37.00	1.457
16	16/32	15.00	0.591	16.00	0.630	14.00	0.551	40	40/80	39.00	1.535	40.00	1.575	38.00	1.496
17	17/34	16.00	0.630	17.00	0.669	15.00	0.591	41	41/82	40.00	1.575	41.00	1.614	39.00	1.535
18	18/36	17.00	0.669	18.00	0.709	16.00	0.630	42	42/84	41.00	1.614	42.00	1.654	40.00	1.575
19	19/38	18.00	0.709	19.00	0.748	17.00	0.669	43	43/86	42.00	1.654	43.00	1.693	41.00	1.614
20	20/40	19.00	0.748	20.00	0.787	18.00	0.709	44	44/88	43.00	1.693	44.00	1.732	42.00	1.654
21	21/42	20.00	0.787	21.00	0.827	19.00	0.748	45	45/90	44.00	1.732	45.00	1.772	43.00	1.693
22	22/44	21.00	0.827	22.00	0.866	20.00	0.787	46	46/92	45.00	1.772	46.00	1.811	44.00	1.732
23	23/46	22.00	0.866	23.00	0.906	21.00	0.827	47	47/94	46.00	1.811	47.00	1.850	45.00	1.772
24	24/48	23.00	0.906	24.00	0.945	22.00	0.866	48	48/96	47.00	1.850	48.00	1.890	46.00	1.811
25	25/50	24.00	0.945	25.00	0.984	23.00	0.906	49	49/98	48.00	1.890	49.00	1.929	47.00	1.850
								50	50/100	49.00	1.929	50.00	1.969	48.00	1.890

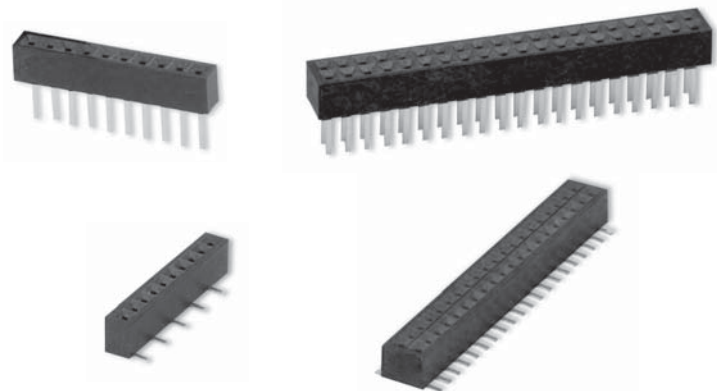
* Position 2 not available with Guide posts.



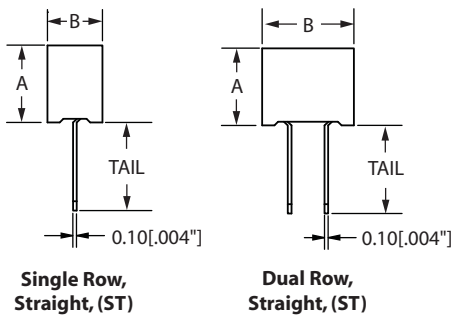
1.00 mm [.039"] Female Headers, Straight & SMT

SPECIFICATIONS

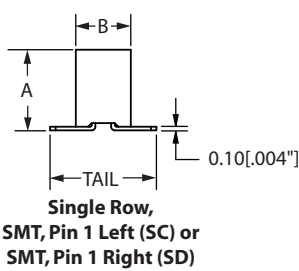
- 1 amp current rating
- UL Flammability Rating: 94V-0
- Insulator Material: Black LCP
- Contact Material: Phosphor Bronze
- Contact Resistance: 20 Milli OHMS Max.
- Operating Temperature: -40°C to +125°C
- Processing Temperature: 260°C for 10 seconds Max.
- Mates with Male SMH series



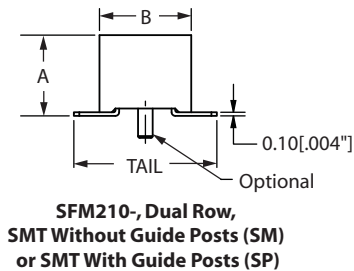
TERMINATION TYPE



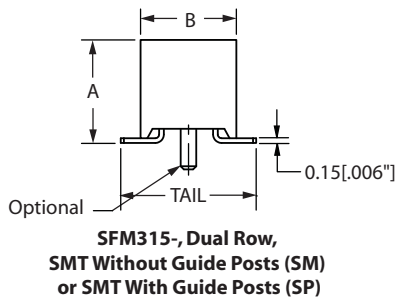
STRAIGHT			
EXAMPLE P/N	A	B	TAIL
SINGLE ROW			
SFM210-LPPE-S10-ST-BK	2.10 [.083"]	1.50 [.059"]	2.40 [.094"]
DUAL ROW			
SFM210-LPPE-D10-ST-BK	2.10 [.083"]	2.50 [.098"]	2.40 [.094"]



SURFACE MOUNT			
EXAMPLE P/N	A	B	TAIL
SINGLE ROW			
SFM210-LPPE-S10-SC-BK	2.20 [.087"]	1.50 [.059"]	2.90 [.114"]
SFM210-LPPE-S10-SD-BK	2.20 [.087"]	1.50 [.059"]	2.90 [.114"]



SURFACE MOUNT			
EXAMPLE P/N	A	B	TAIL
DUAL ROW			
SFM210-LPPE-D10-SM-BK	2.20 [.087"]	2.50 [.098"]	3.90 [.154"]
SFM210-LPPE-D10-SP-BK	2.20 [.087"]	2.50 [.098"]	3.90 [.154"]



SURFACE MOUNT			
EXAMPLE P/N	A	B	TAIL
DUAL ROW			
SFM315-LPPE-D10-SM-BK	3.30 [.130"]	3.07 [.121"]	4.34 [.171"]
SFM315-LPPE-D10-SP-BK	3.30 [.130"]	3.07 [.121"]	4.34 [.171"]



1.00 mm [.039"] Female Headers, Straight & SMT

PART NUMBER OPTIONS

SFM210 - L P P E - S 10 - ST - BK

SERIES (See Opposite Page)

SFM210 = 2.10 mm [.083"] Profile
SFM315 = 3.15 mm [.124"] Profile

HOUSING MATERIAL

L = LCP

CONTACT MATERIAL

P = Phosphor Bronze

CONTACT FINISH - RoHS Compliant

P = Gold Flash Overall
S = 10u" Gold Overall, (Not Available on SFM315 series)
G = 10u" Gold on Contact Surface, Gold Flash on Termination, (Not Available on SFM210 series)

CONTACT CENTERS

E = 1.00 mm [.039"]

COLOR

BK = Black

TERMINATION TYPE (See Opposite Page)

ST = Straight (1 & 2 Row)
SC = Surface Mount, Standard (1 Row)
SD = Surface Mount, Opposite Bend, Applicable on Even pin Counts (1 Row)
SM = Surface Mount without Guide Posts (2 Row)
SP = Surface Mount with Guide Posts (2 Row)

NUMBER OF CONTACT POSITIONS (Pins per Row)

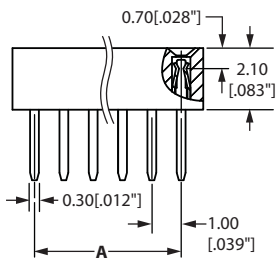
02 thru 50

NUMBER OF ROWS

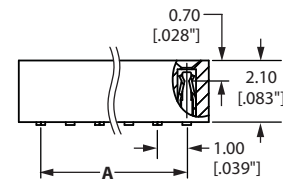
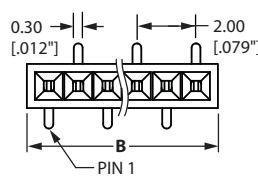
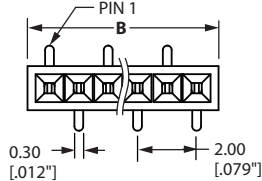
S = Single Row
D = Dual Row

DIMENSIONS

STRAIGHT



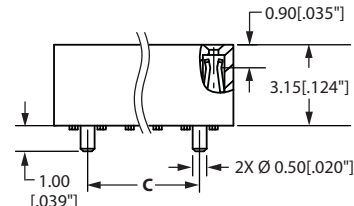
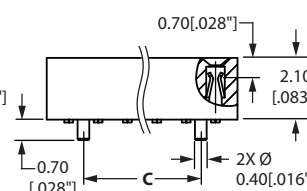
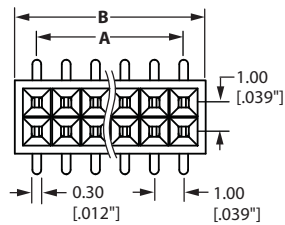
SURFACE MOUNT, SINGLE ROW



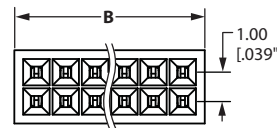
(SC) STANDARD

(SD) OPPOSITE BEND, APPLICABLE ON EVEN PIN COUNTS

SURFACE MOUNT, DUAL ROW



SINGLE ROW



DUAL ROW

SFM210- SFM315-
OPTIONAL GUIDE POSTS REQUIRE (SP) TERMINATION TYPE

No. of Contacts Single/ Dual	DIMENSION A		DIMENSION B (SFM210)		DIMENSION B (SFM315)		DIMENSION C		No. of Contacts Single/ Dual	DIMENSION A		DIMENSION B (SFM210)		DIMENSION B (SFM315)		DIMENSION C	
	mm	[inch]	mm	[inch]	mm	[inch]	mm	[inch]		mm	[inch]	mm	[inch]	mm	[inch]	mm	[inch]
02/04*	1.00	0.039	2.50	0.098	2.40	0.094	N/A	N/A	26/52	25.00	0.984	26.50	1.043	26.40	1.039	24.00	0.945
03/06	2.00	0.079	3.50	0.138	3.40	0.134	1.00	0.039	27/54	26.00	1.024	27.50	1.083	27.40	1.079	25.00	0.984
04/08	3.00	0.118	4.50	0.177	4.40	0.173	2.00	0.079	28/56	27.00	1.063	28.50	1.122	28.40	1.118	26.00	1.024
05/10	4.00	0.157	5.50	0.217	5.40	0.213	3.00	0.118	29/58	28.00	1.102	29.50	1.161	29.40	1.157	27.00	1.063
06/12	5.00	0.197	6.50	0.256	6.40	0.252	4.00	0.157	30/60	29.00	1.142	30.50	1.201	30.40	1.197	28.00	1.102
07/14	6.00	0.236	7.50	0.295	7.40	0.291	5.00	0.197	31/62	30.00	1.181	31.50	1.240	31.40	1.236	29.00	1.142
08/16	7.00	0.276	8.50	0.335	8.40	0.331	6.00	0.236	32/64	31.00	1.220	32.50	1.280	32.40	1.276	30.00	1.181
09/18	8.00	0.315	9.50	0.374	9.40	0.370	7.00	0.276	33/66	32.00	1.260	33.50	1.319	33.40	1.315	31.00	1.220
10/20	9.00	0.354	10.50	0.413	10.40	0.409	8.00	0.315	34/68	33.00	1.299	34.50	1.358	34.40	1.354	32.00	1.260
11/22	10.00	0.394	11.50	0.453	11.40	0.449	9.00	0.354	35/70	34.00	1.339	35.50	1.398	35.40	1.394	33.00	1.299
12/24	11.00	0.433	12.50	0.492	12.40	0.488	10.00	0.394	36/72	35.00	1.378	36.50	1.437	36.40	1.433	34.00	1.339
13/26	12.00	0.472	13.50	0.531	13.40	0.528	11.00	0.433	37/74	36.00	1.417	37.50	1.476	37.40	1.472	35.00	1.378
14/28	13.00	0.512	14.50	0.571	14.40	0.567	12.00	0.472	38/76	37.00	1.457	38.50	1.516	38.40	1.512	36.00	1.417
15/30	14.00	0.551	15.50	0.610	15.40	0.606	13.00	0.512	39/78	38.00	1.496	39.50	1.555	39.40	1.551	37.00	1.457
16/32	15.00	0.591	16.50	0.650	16.40	0.646	14.00	0.551	40/80	39.00	1.535	40.50	1.594	40.40	1.591	38.00	1.496
17/34	16.00	0.630	17.50	0.689	17.40	0.685	15.00	0.591	41/82	40.00	1.575	41.50	1.634	41.40	1.630	39.00	1.535
18/36	17.00	0.669	18.50	0.728	18.40	0.724	16.00	0.630	42/84	41.00	1.614	42.50	1.673	42.40	1.669	40.00	1.575
19/38	18.00	0.709	19.50	0.768	19.40	0.764	17.00	0.669	43/86	42.00	1.654	43.50	1.713	43.40	1.709	41.00	1.614
20/40**	19.00	0.748	20.50	0.807	20.40	0.803	18.00	0.709	44/88	43.00	1.693	44.50	1.752	44.40	1.748	42.00	1.654
21/42	20.00	0.787	21.50	0.846	21.40	0.843	19.00	0.748	45/90	44.00	1.732	45.50	1.791	45.40	1.787	43.00	1.693
22/44	21.00	0.827	22.50	0.886	22.40	0.882	20.00	0.787	46/92	45.00	1.772	46.50	1.831	46.40	1.827	44.00	1.732
23/46	22.00	0.866	23.50	0.925	23.40	0.921	21.00	0.827	47/94	46.00	1.811	47.50	1.870	47.40	1.866	45.00	1.772
24/48	23.00	0.906	24.50	0.965	24.40	0.961	22.00	0.866	48/96	47.00	1.850	48.50	1.909	48.40	1.906	46.00	1.811
25/50	24.00	0.945	25.50	1.004	25.40	1.000	23.00	0.906	49/98	48.00	1.890	49.50	1.949	49.40	1.945	47.00	1.850
									50/100	49.00	1.929	50.50	1.988	50.40	1.984	48.00	1.890

* Position 2 not available with guide posts on SFM210 Series (Termination Type SP).

** Position 20 not available on SFM315 Series.



.050" [1.27 mm] Contact Centers, Male Header, Dip Solder/Right Angle/SMT

SPECIFICATIONS

- Insulator Material: Nylon 9T
- Contact Material: Brass
- Plating: Overall Gold Flash
- 1 amp current rating per contact
- UL Flammability Rating: 94V-O

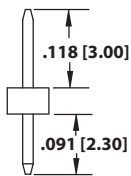


TERMINATION TYPE

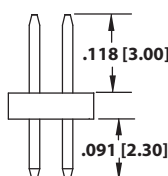
SINGLE READOUT

DUAL READOUT

STRAIGHT

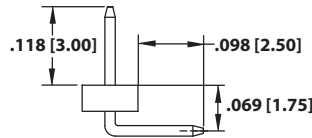


(VWVN)

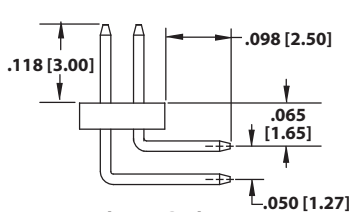


(VWVN)

RIGHT ANGLE

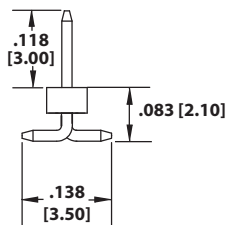


(VWCN)

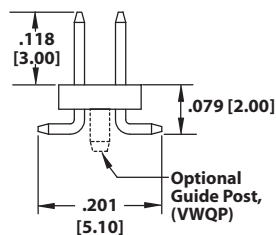


(MWCN)

SURFACE MOUNT (SMT)



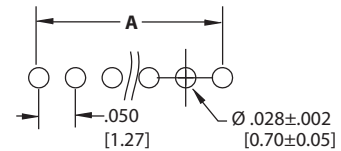
(VWTC)



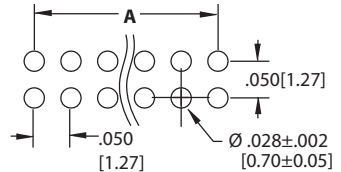
(VWQS), Without Guide Post
(VWQP), With Guide Post

PCB LAYOUT

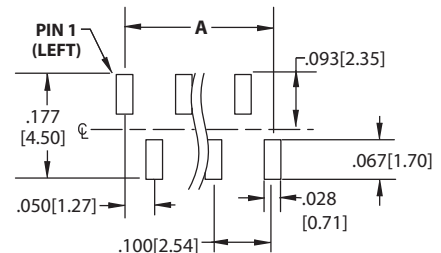
**STRAIGHT (VWV)
RIGHT ANGLE (VVC)**



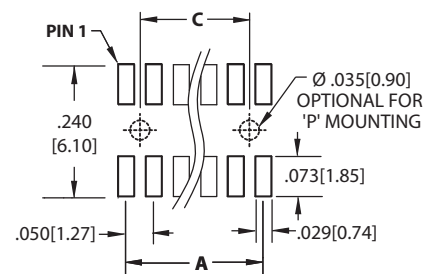
**STRAIGHT (VWV)
RIGHT ANGLE (MVC)**



SURFACE MOUNT, PIN 1 LEFT (VWT)

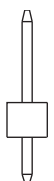


SURFACE MOUNT (VWQ)

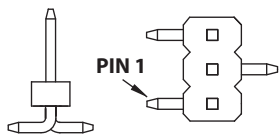


Sullins Headers

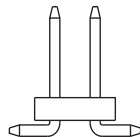
MOUNTING STYLE



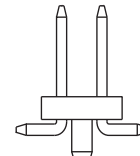
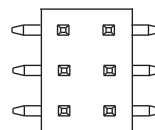
No Mounting,
(N)



SMT, Pin 1 Left
(C)



SMT, Without Guide Post
(S)



SMT, With Guide Post
(P)



.050" [1.27mm] Contact Centers, Male Header, Dip Solder/Right Angle/SMT

PART NUMBER CODING

G R P B xx 1 VVW N - RC

PLASTIC HOUSING
G = Nylon, 9-T

CONTACT MATERIAL
R = Brass

CONTACT FINISH - RoHS Compliant
P = Gold Flash Overall

CONTACT CENTERS
B = .050" [1.27mm]

NUMBER OF POSITIONS

Positions Available Termination

2 Thru 50 = VVW, VWC (1 Row)
1 Thru 50 = VVW, MWC (2 Row)
3 Thru 50 = VWT
3 Thru 50 = VWQ

RoHS COMPLIANT
Consult Factory For Modifications

MOUNTING STYLE
N = No Mounting
C = Surface Mount, Pin 1 Left (Single Row Only)
S = Surface Mount without Guide Pins (Dual Row Only)
P = Surface Mount with Guide Posts (Dual Row Only)

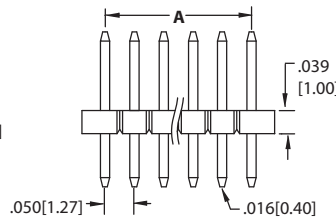
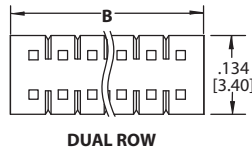
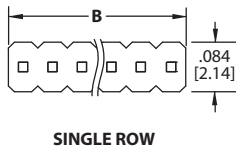
TERMINATION TYPE (Opposite Page)
VVW, VWC, MWC, VWT, VWQ

NUMBER OF ROWS
1 = Single Row
2 = Dual Row

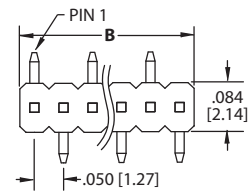
DIMENSIONS

Dimensions in [] are in millimeters, all others are in inches.

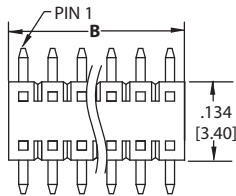
STRAIGHT (SHOWN) & RIGHT ANGLE



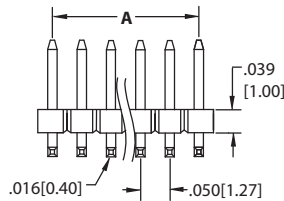
SURFACE MOUNT, PIN 1 LEFT, SINGLE ROW



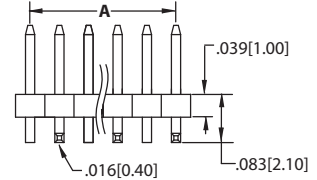
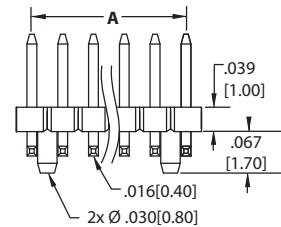
SURFACE MOUNT, DUAL ROW



WITHOUT GUIDE POST, (VVQS)



WITH GUIDE POST, (VWQP)



Positions	Number of Contacts Single/Dual	DIMENSION A		DIMENSION B		DIMENSION C	
		Inches	[mm]	Inches	[mm]	Inches	[mm]
01	01/02	.000	0.00	.050	1.27		
02	02/04	.050	1.27	.100	2.54		
03	03/06	.100	2.54	.150	3.81	.050	1.27
04	04/08	.150	3.81	.200	5.08	.100	2.54
05	05/10	.200	5.08	.250	6.35	.150	3.81
06	06/12	.250	6.35	.300	7.62	.200	5.08
07	07/14	.300	7.62	.350	8.89	.250	6.35
08	08/16	.350	8.89	.400	10.16	.300	7.62
09	09/18	.400	10.16	.450	11.43	.350	8.89
10	10/20	.450	11.43	.500	12.70	.400	10.16
11	11/22	.500	12.70	.550	13.97	.450	11.43
12	12/24	.550	13.97	.600	15.24	.500	12.70
13	13/26	.600	15.24	.650	16.51	.550	13.97
14	14/28	.650	16.51	.700	17.78	.600	15.24
15	15/30	.700	17.78	.750	19.05	.650	16.51
16	16/32	.750	19.05	.800	20.32	.700	17.78
17	17/34	.800	20.32	.850	21.59	.750	19.05
18	18/36	.850	21.59	.900	22.86	.800	20.32
19	19/38	.900	22.86	.950	24.13	.850	21.59
20	20/40	.950	24.13	1.000	25.40	.900	22.86
21	21/42	1.000	25.40	1.050	26.67	.950	24.13
22	22/44	1.050	26.67	1.100	27.94	1.000	25.40
23	23/46	1.100	27.94	1.150	29.21	1.050	26.67
24	24/48	1.150	29.21	1.200	30.48	1.100	27.94
25	25/50	1.200	30.48	1.250	31.75	1.150	29.21

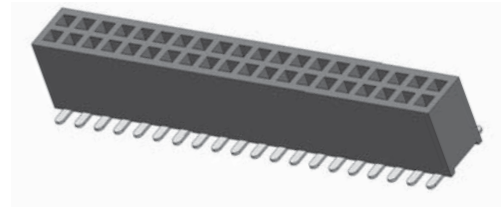
Positions	Number of Contacts Single/Dual	DIMENSION A		DIMENSION B		DIMENSION C	
		Inches	[mm]	Inches	[mm]	Inches	[mm]
26	26/52	1.250	31.75	1.300	33.02	1.200	30.48
27	27/54	1.300	33.02	1.350	34.29	1.250	31.75
28	28/56	1.350	34.29	1.400	35.56	1.300	33.02
29	29/58	1.400	35.56	1.450	36.83	1.350	34.29
30	30/60	1.450	36.83	1.500	38.10	1.400	35.56
31	31/62	1.500	38.10	1.550	39.37	1.450	36.83
32	32/64	1.550	39.37	1.600	40.64	1.500	38.10
33	33/66	1.600	40.64	1.650	41.91	1.550	39.37
34	34/68	1.650	41.91	1.700	43.18	1.600	40.64
35	35/70	1.700	43.18	1.750	44.45	1.650	41.91
36	36/72	1.750	44.45	1.800	45.72	1.700	43.18
37	37/74	1.800	45.72	1.850	46.99	1.750	44.45
38	38/76	1.850	46.99	1.900	48.26	1.800	45.72
39	39/78	1.900	48.26	1.950	49.53	1.850	46.99
40	40/80	1.950	49.53	2.000	50.80	1.900	48.26
41	41/82	2.000	50.80	2.050	52.07	1.950	49.53
42	42/84	2.050	52.07	2.100	53.34	2.000	50.80
43	43/86	2.100	53.34	2.150	54.61	2.050	52.07
44	44/88	2.150	54.61	2.200	55.88	2.100	53.34
45	45/90	2.200	55.88	2.250	57.15	2.150	54.61
46	46/92	2.250	57.15	2.300	58.42	2.200	55.88
47	47/94	2.300	58.42	2.350	59.69	2.250	57.15
48	48/96	2.350	59.69	2.400	60.96	2.300	58.42
49	49/98	2.400	60.96	2.450	62.23	2.350	59.69
50	50/100	2.450	62.23	2.500	63.50	2.400	60.96



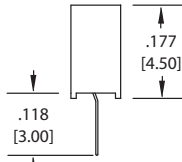
**.050" [1.27 mm] Contact Centers, Female Header,
Dip Solder/Right Angle/SMT**

SPECIFICATIONS

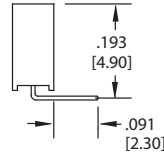
- Insulator Material: L.C.P.
- Contact Material: Phosphor Bronze
- Plating: Overall Gold Flash
- 1 amp current rating per contact
- UL Flammability Rating: 94V-O



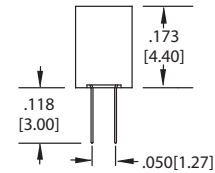
TERMINATION TYPE



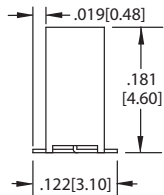
**SINGLE ROW,
STRAIGHT
(NFFN)**



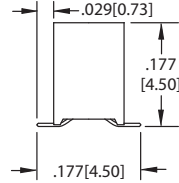
**SINGLE ROW,
RIGHT ANGLE
(NGCN)**



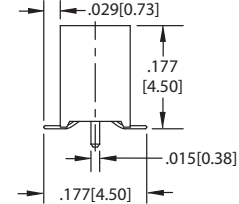
**DUAL ROW,
STRAIGHT
(CFFN)**



**SINGLE ROW,
SMT
(NFSC)**



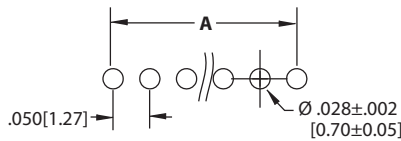
**DUAL ROW,
SMT Without Guide Posts
(NFSS)**



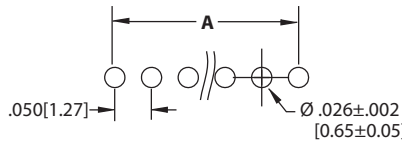
**DUAL ROW,
SMT With Guide Posts
(NFSP)**

Sullins Headers

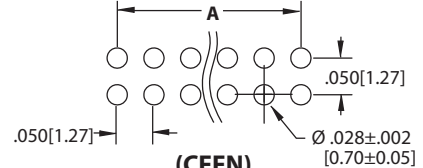
PCB LAYOUT



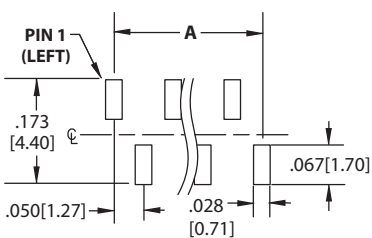
(NFFN)



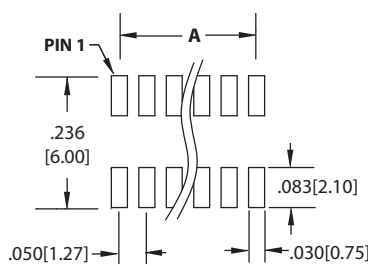
(NGCN)



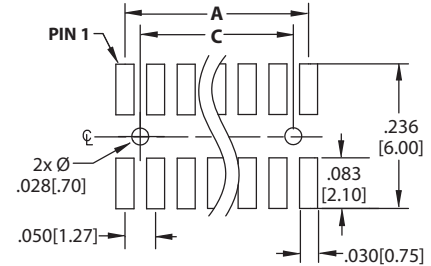
(CFFN)



(NFSC)

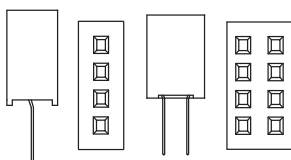


(NFSS)

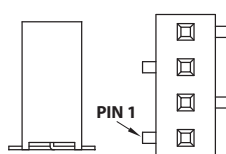


(NFSP)

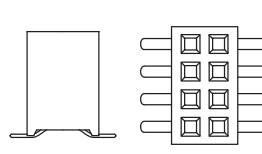
MOUNTING STYLE



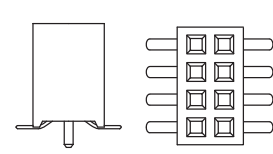
**SINGLE & DUAL ROW
NO MOUNTING
(N)**



**SINGLE ROW
SMT, Pin 1 Left
(C)**



**DUAL ROW
SMT Without Guide Post
(S)**

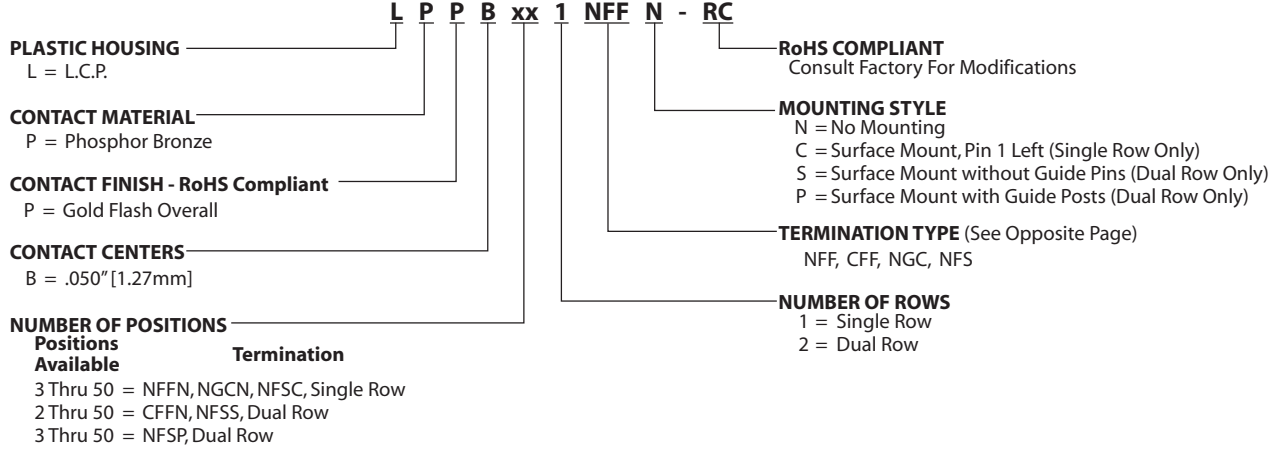


**DUAL ROW
SMT With Guide Post
(P)**



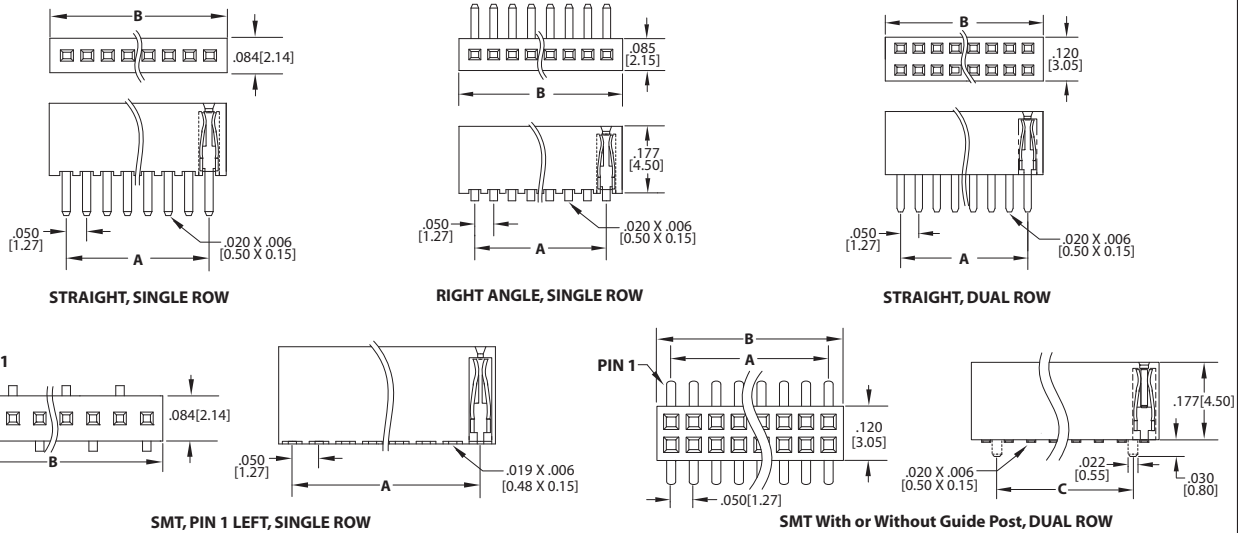
.050" [1.27 mm] Contact Centers, Female Header, Dip Solder/Right Angle/SMT

PART NUMBER CODING



DIMENSIONS

Dimensions in [] are in millimeters, all others are in inches.



Positions	Number of Contacts Single/Dual	DIMENSION A		DIMENSION B		DIMENSION C	
		Inches	[mm]	Inches	[mm]	Inches	[mm]
02	2/4	.050	1.27	.115	2.92		
03	3/6	.100	2.54	.165	4.19	.050	1.27
04	4/8	.150	3.81	.215	5.46	.100	2.54
05	5/10	.200	5.08	.265	6.73	.150	3.81
06	6/12	.250	6.35	.315	8.00	.200	5.08
07	7/14	.300	7.62	.365	9.27	.250	6.35
08	8/16	.350	8.89	.415	10.54	.300	7.62
09	9/18	.400	10.16	.465	11.81	.350	8.89
10	10/20	.450	11.43	.515	13.08	.400	10.16
11	11/22	.500	12.70	.565	14.35	.450	11.43
12	12/24	.550	13.97	.615	15.62	.500	12.70
13	13/26	.600	15.24	.665	16.89	.550	13.97
14	14/28	.650	16.51	.715	18.16	.600	15.24
15	15/30	.700	17.78	.765	19.43	.650	16.51
16	16/32	.750	19.05	.815	20.70	.700	17.78
17	17/34	.800	20.32	.865	21.97	.750	19.05
18	18/36	.850	21.59	.915	23.24	.800	20.32
19	19/38	.900	22.86	.965	24.51	.850	21.59
20	20/40	.950	24.13	1.015	25.78	.900	22.86
21	21/42	1.000	25.40	1.065	27.05	.950	24.13
22	22/44	1.050	26.67	1.115	28.32	1.000	25.40
23	23/46	1.100	27.94	1.165	29.59	1.050	26.67
24	24/48	1.150	29.21	1.215	30.86	1.100	27.94
25	25/50	1.200	30.48	1.265	32.13	1.150	29.21

Positions	Number of Contacts Single/Dual	DIMENSION A		DIMENSION B		DIMENSION C	
		Inches	[mm]	Inches	[mm]	Inches	[mm]
26	26/52	1.250	31.75	1.315	33.40	1.200	30.48
27	27/54	1.300	33.02	1.365	34.67	1.250	31.75
28	28/56	1.350	34.29	1.415	35.94	1.300	33.02
29	29/58	1.400	35.56	1.465	37.21	1.350	34.29
30	30/60	1.450	36.83	1.515	38.48	1.400	35.56
31	31/62	1.500	38.10	1.565	39.75	1.450	36.83
32	32/64	1.550	39.37	1.615	41.02	1.500	38.10
33	33/66	1.600	40.64	1.665	42.29	1.550	39.37
34	34/68	1.650	41.91	1.715	43.56	1.600	40.64
35	35/70	1.700	43.18	1.765	44.83	1.650	41.91
36	36/72	1.750	44.45	1.815	46.10	1.700	43.18
37	37/74	1.800	45.72	1.865	47.37	1.750	44.45
38	38/76	1.850	46.99	1.915	48.64	1.800	45.70
39	39/78	1.900	48.26	1.965	49.91	1.850	46.99
40	40/80	1.950	49.53	2.015	51.18	1.900	48.26
41	41/82	2.000	50.80	2.065	52.45	1.950	49.53
42	42/84	2.050	52.07	2.115	53.72	2.000	50.80
43	43/86	2.100	53.34	2.165	54.99	2.050	52.07
44	44/88	2.150	54.61	2.215	56.26	2.100	53.34
45	45/90	2.200	55.88	2.265	57.53	2.150	54.61
46	46/92	2.250	57.15	2.315	58.80	2.200	55.88
47	47/94	2.300	58.42	2.365	60.07	2.250	57.15
48	48/96	2.350	59.69	2.415	61.34	2.300	58.42
49	49/98	2.400	60.96	2.465	62.61	2.350	59.69
50	50/100	2.450	62.23	2.515	63.88	2.400	60.96

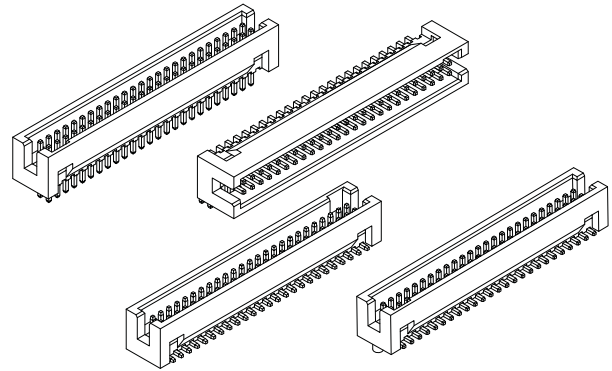


Sullins Headers

.050" [1.27] Male Shrouded Box Headers, Straight, Right Angle, SMT With or Without Post

SPECIFICATIONS

- **Centered Polarizing Notch**
- Operating Temperature: - 40° C to + 85° C
- Processing Temperature: 230° C for 60 seconds Max.
(260° C, 10 seconds)
- UL Flammability Rating: 94V-0
- Voltage Rating: 20m OHMs Max.
- Current Rating: 1 AMP per contact
- Voltage Drop: AC 500 V.
- Insulation Resistance: 1000 Mega OHMS
- **Mates with SFH31 series (See opposite page)**



PART NUMBER OPTIONS

SBH31 - N B P B - D 10 - ST - BK

SERIES ————— SBH31 = Male Box Header with Centered Polarizing Notch, .050" [1.27mm] Contact Centers

HOUSING MATERIAL ————— N = Nylon 6T

CONTACT MATERIAL ————— B = Brass

CONTACT FINISH - RoHS Compliant ————— P = Gold Flash Overall

CONTACT CENTERS ————— B = .050" [1.27mm]

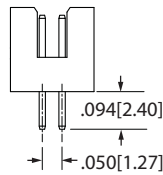
COLOR
BK = Black
Other Color Options Available
(Consult Factory)

TERMINATION TYPE
ST = Straight
RA = Right Angle
SM = Surface Mount
SP = Surface Mount with Post

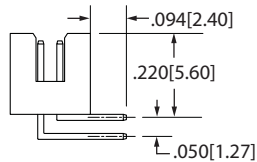
NUMBER OF CONTACT POSITIONS (Pins per Row)
05 thru 50

NUMBER OF ROWS
D = Dual Row

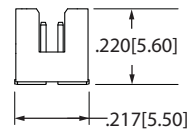
DIMENSIONS For complete drawings, go to www.sullinscorp.com or e-mail techsupport@sullinscorp.com



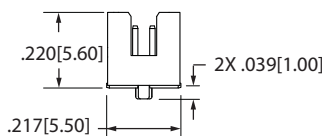
STRAIGHT (ST)
Example P/N: SBH31-NBPP-D20-ST-BK



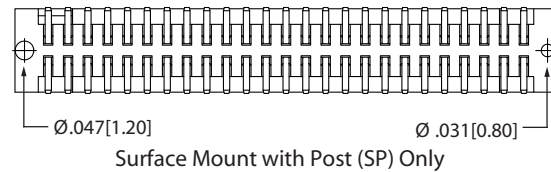
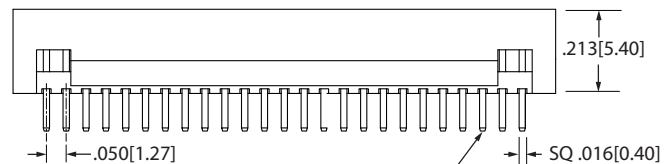
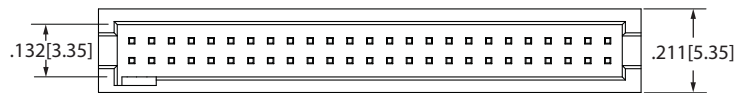
RIGHT ANGLE (RA)
Example P/N: SBH31-NBPP-D20-RA-BK



SURFACE MOUNT (SM)
Example P/N: SBH31-NBPP-D20-SM-BK



SURFACE MOUNT with POST (SP)
Example P/N: SBH31-NBPP-D20-SP-BK

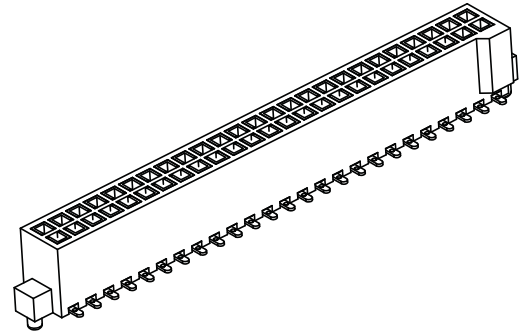




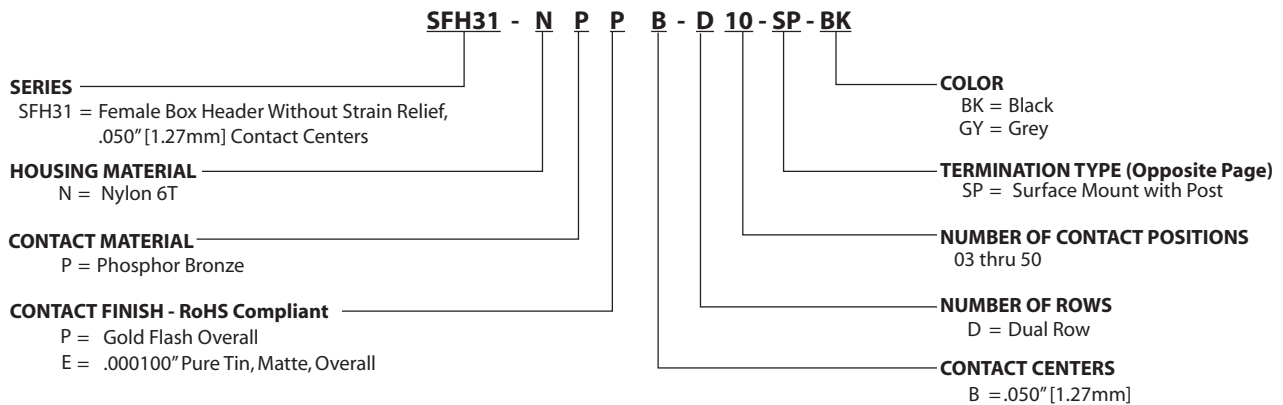
.050" [1.27] Female Header, SMT with Posts

SPECIFICATIONS

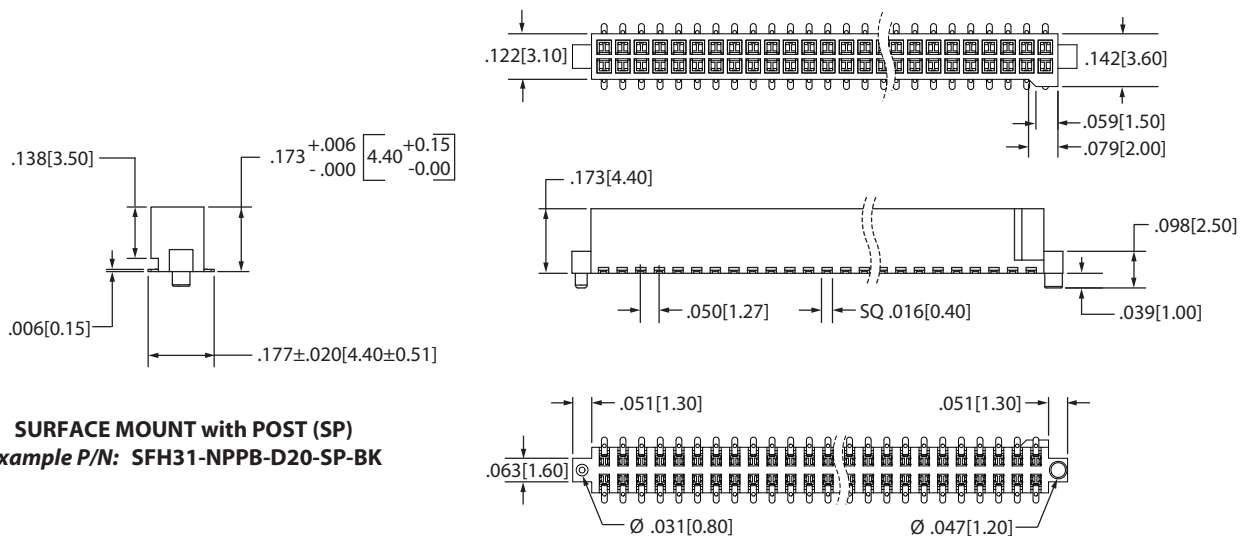
- Operating Temperature: - 40° C to + 85° C
- Processing Temperature: 230° C for 60 seconds Max.
(260° C, 10 seconds)
- UL Flammability Rating: 94V-0
- Voltage Rating: 20m OHMs Max.
- Current Rating: 3 AMP per contact
- Dielectric Withstanding: 500 VAC
- Insulation Resistance: 1000 Mega OHMS
- **Mates with SBH31 series (See opposite page)**



PART NUMBER OPTIONS



DIMENSIONS For complete drawings, go to www.sullinscorp.com or e-mail techsupport@sullinscorp.com



Sullins Headers

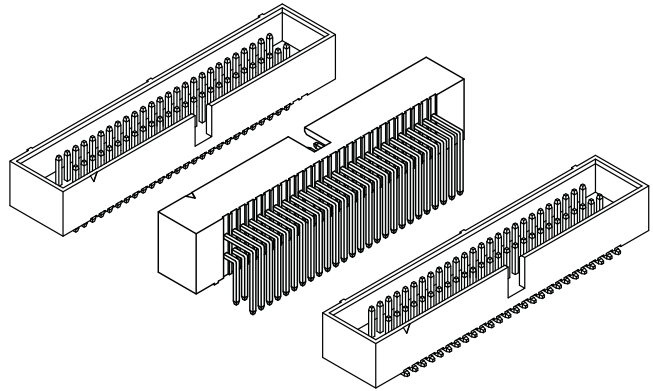


Sullins Headers

.050" [1.27] Male Shrouded Box Headers, .100" [2.54] Row Spacing, Straight, Right Angle, SMT With or Without Post

SPECIFICATIONS

- **Centered Polarizing Notch**
- Operating Temperature: - 40° C to + 85° C
- Processing Temperature: 230° C for 60 seconds Max.
(260° C, 10 seconds)
- UL Flammability Rating: 94V-0
- Voltage Rating: 20m OHMs Max.
- Current Rating: 1 AMP per contact
- Voltage Drop: AC 500 V.
- Insulation Resistance: 1000 Mega OHMS
- **Mates with SFH41 series (See opposite page)**



PART NUMBER OPTIONS

SERIES SBH41 - N B P B - D 10 - ST - BK

SBH41 = Male Box Header with Centered Polarizing Notch, .050" [1.27mm] Contact Centers

HOUSING MATERIAL
N = Nylon 6T

CONTACT MATERIAL
B = Brass

CONTACT FINISH - RoHS Compliant
P = Gold Flash Overall

CONTACT CENTERS
B = .050" [1.27mm]

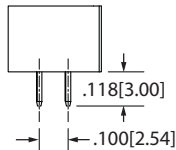
COLOR
BK = Black
Other Color Options Available (Consult Factory)

TERMINATION TYPE
ST = Straight
RA = Right Angle
SM = Surface Mount
SP = Surface Mount with Post

NUMBER OF CONTACT POSITIONS (Pins per Row)
05 thru 40

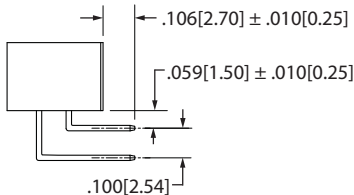
NUMBER OF ROWS
D = Dual Row

DIMENSIONS For complete drawings, go to www.sullinscorp.com or e-mail techsupport@sullinscorp.com



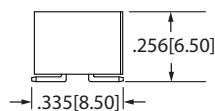
STRAIGHT (ST)

Example P/N: SBH41-NBPB-D20-ST-BK



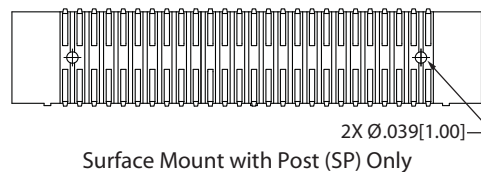
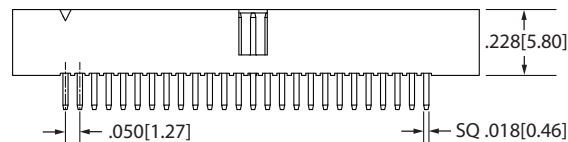
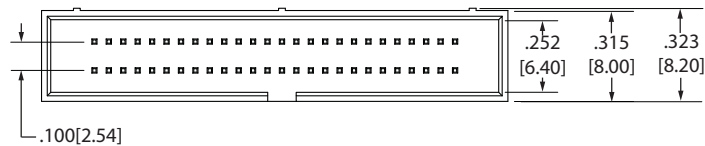
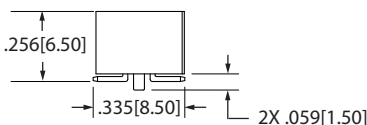
RIGHT ANGLE (RA)

Example P/N: SBH41-NBPB-D20-RA-BK



SURFACE MOUNT (SM)

Example P/N: SBH41-NBPB-D20-SM-BK



Surface Mount with Post (SP) Only

SURFACE MOUNT with POST (SP)

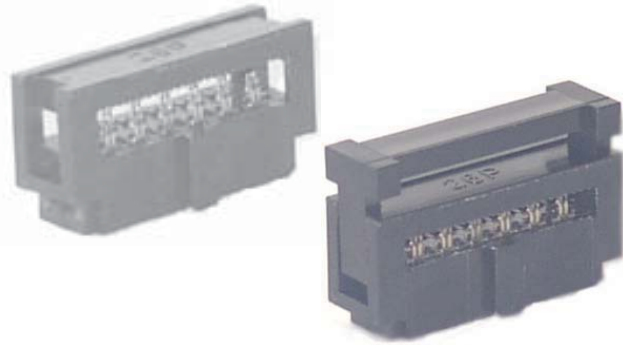
Example P/N: SBH41-NBPB-D20-SP-BK



.050" [1.27] IDC Sockets, .100" [2.54] Row Spacing, Insulation Displacement With or Without Strain Relief

SPECIFICATIONS

- **Centered Polarizing Key**
- Operating Temperature: - 40° C to + 105° C
- UL Flammability Rating: 94V-0
- Contact Resistance: 30 MEGA OHMS Max.
- Current Rating: 1 AMP per contact
- Dielectric Withstanding: 500 VAC R.M.S. for One Minute
- Insulation Resistance: 500 Mega OHMS
- **Mates with SBH41 series (See opposite page)**



PART NUMBER OPTIONS

SFH41 - P P P B - D 10 - ID - BK

SERIES

SFH41 = Female Box Header Without Strain Relief, .050" [1.27mm] Contact Centers
 SFH413 = Female Box Header With Strain Relief, .050" [1.27mm] Contact Centers

HOUSING MATERIAL

P = PBT

CONTACT MATERIAL

P = Phosphor Bronze

CONTACT FINISH - RoHS Compliant

P = Gold Flash Overall
 E = .000100" Pure Tin, Matte, Overall
 V = Gold Flash on Contact Surface, Nickel Underplate on Tails

COLOR

BK = Black
 GY = Grey

TERMINATION TYPE (Opposite Page)

ID = Insulation Displacement

NUMBER OF CONTACT POSITIONS

05, 08, 10, 13, 15, 17, 20, 25, 30, 34, 40, 50

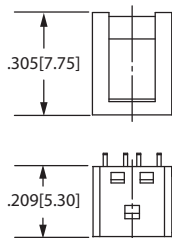
NUMBER OF ROWS

D = Dual Row

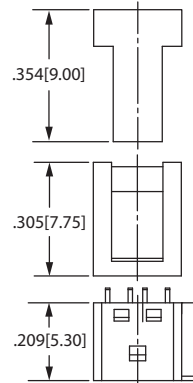
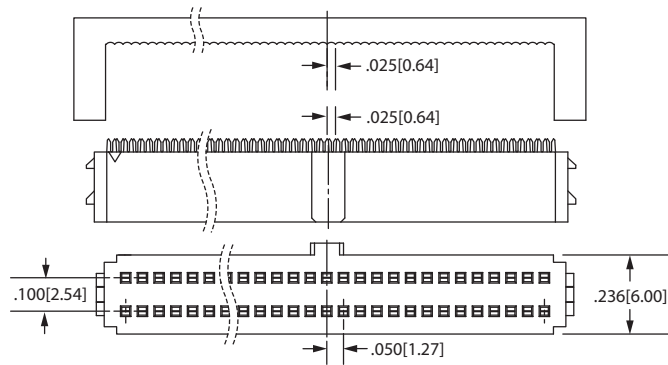
CONTACT CENTERS

B = .050" [1.27mm]

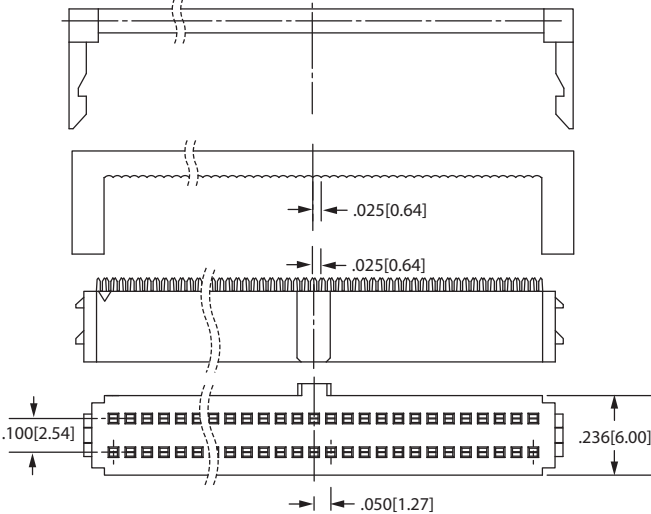
DIMENSIONS For complete drawings, go to www.sullinscorp.com or e-mail techsupport@sullinscorp.com



INSULATION DISPLACEMENT (ID) without Strain Relief
 Requires SFH41
 Example P/N: SFH41-PPPB-D20-ID-BK



INSULATION DISPLACEMENT (ID) with Strain Relief
 Requires SFH413
 Example P/N: SFH413-PPPB-D20-ID-BK



Sullins Headers



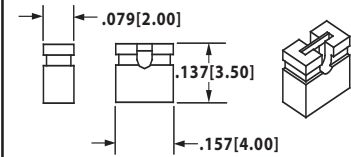
.079" [2 mm] Contact Centers, Male Header
Dip Solder/Right Angle/SMT

SPECIFICATIONS

- 1 amp current rating per contact (4 amp for 4 row only)
- UL Flammability Rating: 94V-O
- Insulator: Nylon 6-T
- Contact Material: Brass

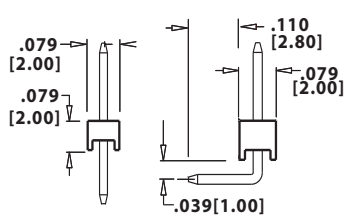


JUMPERS

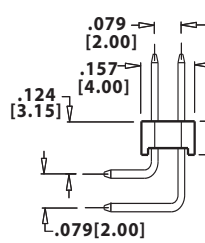
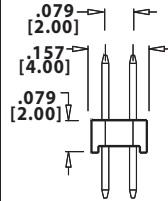


PART NUMBER:
SPN02SYBN-RC (GOLD FLASH)
STN02SYBN-RC (TIN PLATE)

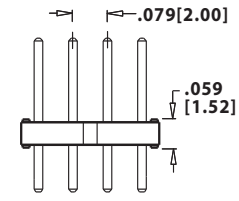
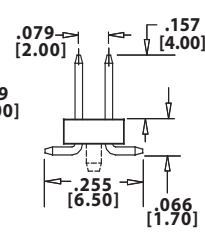
READOUT



SINGLE (1)

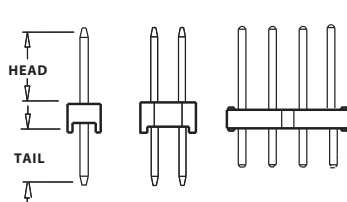


DUAL (2)

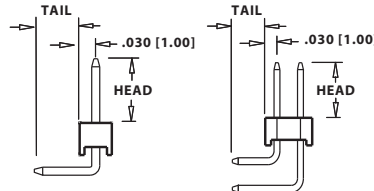


QUAD (4)

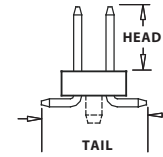
TERMINATION TYPE



STRAIGHT



RIGHT ANGLE



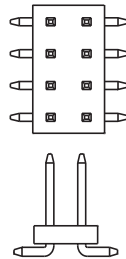
SMT

P/N CODE	ROWS	TERM	HEAD	TAIL	P/N CODE	ROWS	TERM	HEAD	TAIL	P/N CODE	ROWS	TERM	HEAD	TAIL
PAE	1	STRAIGHT	.157" [4.00]	.110" [2.80]	PAR	1	RIGHT ANGLE	.157" [4.00]	.110" [2.80]					
PAE	2	STRAIGHT	.157" [4.00]	.110" [2.80]	PAR	2	RIGHT ANGLE	.157" [4.00]	.110" [2.80]	MAM	2	SMT	.157" [4.00]	.255" [6.50]
RCC	4	STRAIGHT	.173" [4.40]	.094" [2.40]										

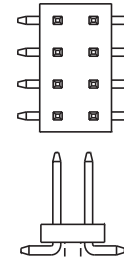
MOUNTING STYLE



No Mounting-
Default Standard (N)



Two Row SMT,
Without Guide Post (S)

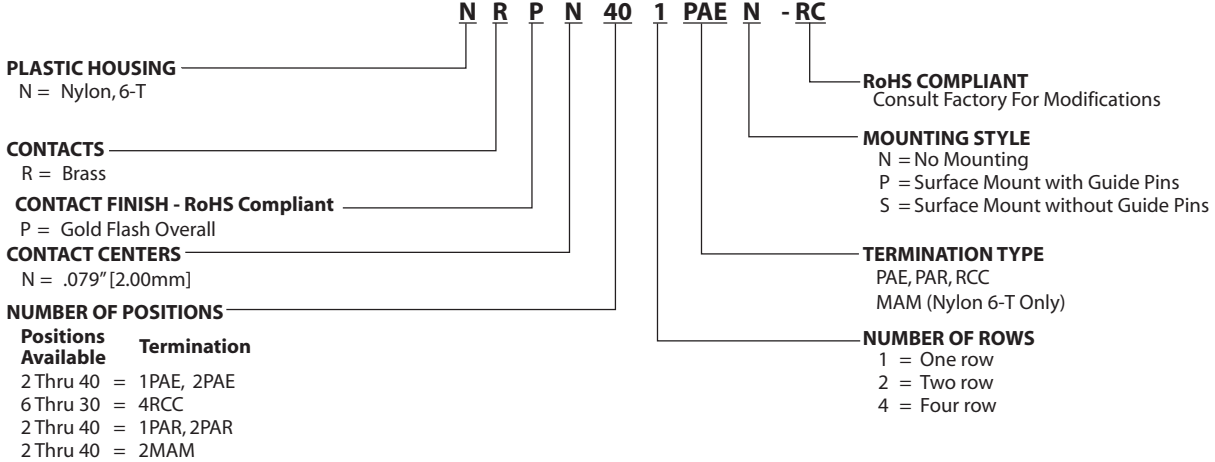


Two Row SMT,
With Guide Post (P)



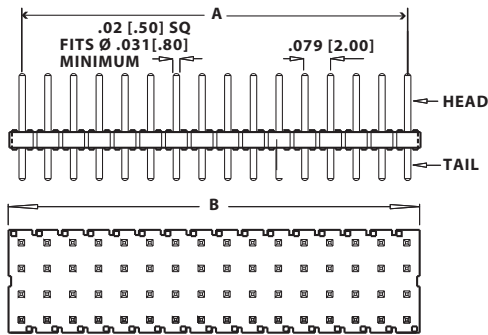
**.079" [2 mm] Contact Centers, Male Header
Dip Solder/Right Angle/SMT**

PART NUMBER CODING

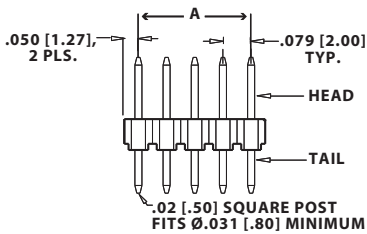


DIMENSIONS

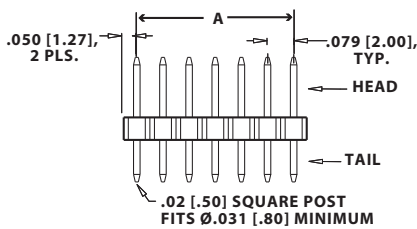
Dimensions in [] are in millimeters, all others are in inches.



QUAD READOUT, STRAIGHT TAIL SHOWN



DUAL READOUT, STRAIGHT TAIL SHOWN



SINGLE READOUT, STRAIGHT TAIL SHOWN

PART NUMBER	NUMBER OF CONTACTS SINGLE/DUAL/QUAD	DIMENSION A		DIMENSION B	
		INCHES	[MM]	INCHES	[MM]
_ RPN02 ___ N-RC	02/04	0.079	2.00	0.157	4.00
_ RPN03 ___ N-RC	03/06	0.157	4.00	0.236	6.00
_ RPN04 ___ N-RC	04/08	0.236	6.00	0.315	8.00
_ RPN05 ___ N-RC	05/10	0.315	8.00	0.394	10.00
_ RPN06 ___ N-RC	06/12/24	0.394	10.00	0.472	12.00
_ RPN07 ___ N-RC	07/14/28	0.472	12.00	0.551	14.00
_ RPN08 ___ N-RC	08/16/32	0.551	14.00	0.630	16.00
_ RPN09 ___ N-RC	09/18/36	0.630	16.00	0.709	18.00
_ RPN10 ___ N-RC	10/20/40	0.709	18.00	0.787	20.00
_ RPN11 ___ N-RC	11/22/44	0.787	20.00	0.866	22.00
_ RPN12 ___ N-RC	12/24/48	0.866	22.00	0.945	24.00
_ RPN13 ___ N-RC	13/26/52	0.945	24.00	1.024	26.00
_ RPN14 ___ N-RC	14/28/56	1.024	26.00	1.102	28.00
_ RPN15 ___ N-RC	15/30/60	1.102	28.00	1.181	30.00
_ RPN16 ___ N-RC	16/32/64	1.181	30.00	1.260	32.00
_ RPN17 ___ N-RC	17/34/68	1.260	32.00	1.339	34.00
_ RPN18 ___ N-RC	18/36/72	1.339	34.00	1.417	36.00
_ RPN19 ___ N-RC	19/38/76	1.417	36.00	1.496	38.00
_ RPN20 ___ N-RC	20/40/80	1.496	38.00	1.575	40.00
_ RPN21 ___ N-RC	21/42/84	1.575	40.00	1.654	42.00
_ RPN22 ___ N-RC	22/44/88	1.654	42.00	1.732	44.00
_ RPN23 ___ N-RC	23/46/92	1.732	44.00	1.811	46.00
_ RPN24 ___ N-RC	24/48/96	1.811	46.00	1.890	48.00
_ RPN25 ___ N-RC	25/50/100	1.890	48.00	1.969	50.00
_ RPN26 ___ N-RC	26/52/104	1.969	50.00	2.047	52.00
_ RPN27 ___ N-RC	27/54/108	2.047	52.00	2.126	54.00
_ RPN28 ___ N-RC	28/56/112	2.126	54.00	2.205	56.00
_ RPN29 ___ N-RC	29/58/116	2.205	56.00	2.283	58.00
_ RPN30 ___ N-RC	30/60/120	2.283	58.00	2.362	60.00
_ RPN31 ___ N-RC	31/62	2.362	60.00	2.441	62.00
_ RPN32 ___ N-RC	32/64	2.441	62.00	2.520	64.00
_ RPN33 ___ N-RC	33/66	2.520	64.00	2.598	66.00
_ RPN34 ___ N-RC	34/68	2.598	66.00	2.677	68.00
_ RPN35 ___ N-RC	35/70	2.677	68.00	2.756	70.00
_ RPN36 ___ N-RC	36/72	2.756	70.00	2.835	72.00
_ RPN37 ___ N-RC	37/74	2.835	72.00	2.913	74.00
_ RPN38 ___ N-RC	38/76	2.913	74.00	2.992	76.00
_ RPN39 ___ N-RC	39/78	2.992	76.00	3.071	78.00
_ RPN40 ___ N-RC	40/80	3.071	78.00	3.150	80.00

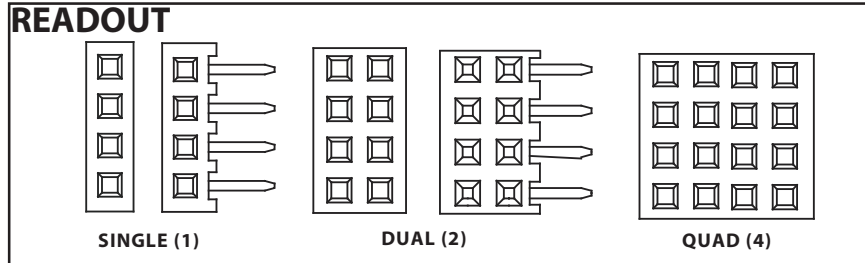
Sullins Headers



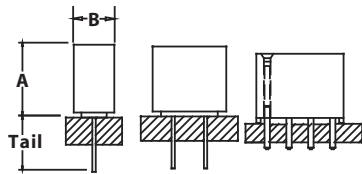
**.079" [2 mm] Contact Centers, Female Header
Dip Solder/Right Angle/SMT**

SPECIFICATIONS

- 1 amp current rating per contact
- UL Flammability Rating: 94V-O
- Insulator: Black Thermoplastic Polyester/Nylon 6-T
- Contact Material: Phosphor Bronze

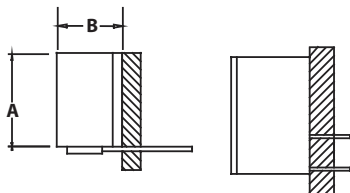


TERMINATION TYPE



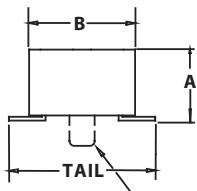
STRAIGHT

P/N CODE	ROWS	TERM	A	B	TAIL
BFC	1	STRAIGHT	.170 [4.30]	.094 [2.40]	.094 [2.40]
AFC	2	STRAIGHT	.170 [4.30]	.157 [4.00]	.094 [2.40]
AFE	2	STRAIGHT	1.70 [4.30]	.181 [4.60]	.110 [2.80]
EFC	4	STRAIGHT	.248 [6.30]	.315 [8.00]	.094 [2.40]



RIGHT ANGLE

P/N CODE	ROWS	TERM	A	B	TAIL
FGG	1	RIGHT ANGLE	.169 [4.30]	.110 [2.80]	.122 [3.10]
FJF	2	RIGHT ANGLE	.285 [7.20]	.191 [4.85]	.118 [3.00]



SMT

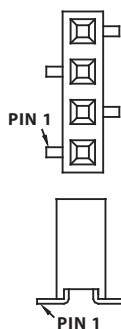
P/N CODE	ROWS	TERM	A	B	TAIL
BFL	1	SMT	.181 [4.60]	.094 [2.40]	.157 [4.00]
GFN	2	SMT	.110 [2.80]	.165 [4.20]	.228 [5.80]
GHN	Replaced by GFN				
FFK	2	SMT	.173 [4.40]	.157 [4.00]	.228 [5.80]

Refer to Mounting Style

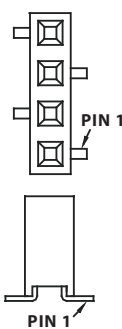
MOUNTING STYLE



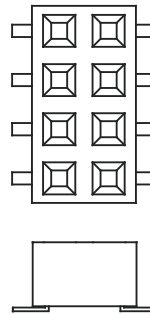
**No Mounting-
Standard (N)**



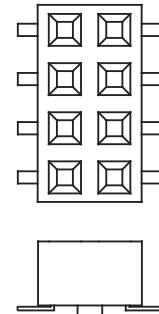
**One Row SMT,
Pin 1 Left (C)**



**One Row SMT,
Pin 1 Right (D)**



**Two Row SMT,
Without Guide Posts (S)**



**Two Row SMT,
With Guide Post (P)**



**.079" [2 mm] Contact Centers, Female Header
Dip Solder/Right Angle/SMT**

PART NUMBER CODING

PP P N 40 1 BFC N -RC

PLASTIC HOUSING
PP = Thermoplastic/Phosphor Bronze (Thru Hole Only)
NP = Nylon 6-T/Phosphor Bronze (SMT or Thru Hole)

CONTACT FINISH - RoHS Compliant
Contact Termination
P = Gold Flash Gold Flash (For 1 and 2 Row)
R = .000020" Gold .00010" Tin (For 4 row)

CONTACT CENTERS
N = .079" [2.00mm]

NUMBER OF POSITIONS

Positions Available	Termination
2 Thru 40	= 1BFC
2 Thru 40	= 2AFC
2 Thru 40	= 2AFE
6 Thru 30	= 4EFC
3 Thru 40	= 1FGG
3 Thru 40	= 2FJF
3 Thru 40	= 1BFL
3 Thru 40	= 2GFN
2 Thru 40	= 2FFK

RoHS COMPLIANT
Consult Factory For Modifications

MOUNTING STYLE
N = No Mounting
C = SMT, Single row female, pin 1 Left
D = SMT, Single row female, pin 1 Right
P = Surface mount with guide pins
S = Surface mount without guide pins

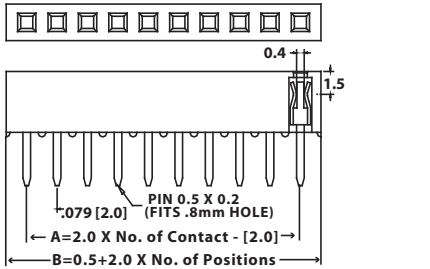
TERMINATION TYPE (Opposite Page)

BFC = Thru Hole	Top Entry
AFC = Thru Hole	Top Entry
AFE = Thru Hole	Top Entry/Closed Bottom
EFC = Thru Hole	Top Entry
FGG = R/A	Top Entry
FJF = R/A	Top Entry
BFL = SMT	Bottom Entry (Nylon 6-T only)
FFK = SMT	Bottom Entry (Nylon 6-T only)
GFN = SMT	Top/Bottom Entry (Nylon 6-T only)
GHN = SMT	Replaced by GFN

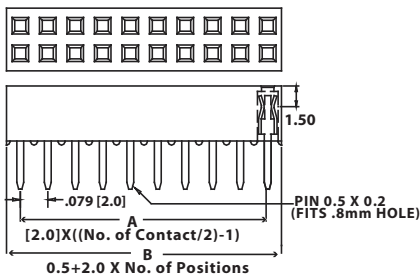
NUMBER OF ROWS (Opposite Page)
1 = One Row
2 = Two Row
4 = Four Row

DIMENSIONS

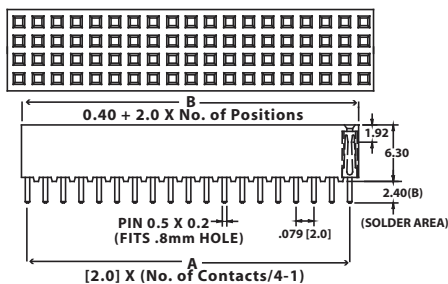
Dimensions in [] are in millimeters, all others are in inches.



**SINGLE READOUT,
STRAIGHT TAIL SHOWN**



**DUAL READOUT,
STRAIGHT TAIL SHOWN**



**QUAD READOUT,
STRAIGHT TAIL SHOWN**

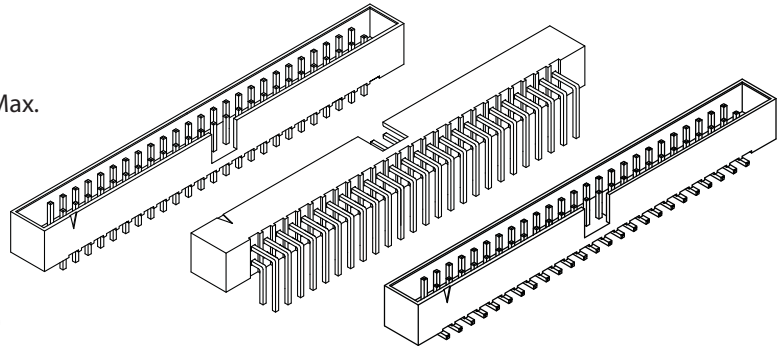
PART NUMBER	NUMBER OF CONTACTS SINGLE/DUAL/ QUAD	CENTER TO CENTER LENGTH [A]		OVERALL LENGTH [B]	
		INCHES	[MM]	INCHES	[MM]
PN01 N-RC	01/02			0.079	2.00
PN02 N-RC	02/04	0.079	2.00	0.157	4.00
PN03 N-RC	03/06	0.157	4.00	0.236	6.00
PN04 N-RC	04/08	0.236	6.00	0.315	8.00
PN05 N-RC	05/10	0.315	8.00	0.394	10.00
PN06 N-RC	06/12/24	0.394	10.00	0.472	12.00
PN07 N-RC	07/14/28	0.472	12.00	0.551	14.00
PN08 N-RC	08/16/32	0.551	14.00	0.630	16.00
PN09 N-RC	09/18/36	0.630	16.00	0.709	18.00
PN10 N-RC	10/20/40	0.709	18.00	0.787	20.00
PN11 N-RC	11/22/44	0.787	20.00	0.866	22.00
PN12 N-RC	12/24/48	0.866	22.00	0.945	24.00
PN13 N-RC	13/26/52	0.945	24.00	1.024	26.00
PN14 N-RC	14/28/54	1.024	26.00	1.102	28.00
PN15 N-RC	15/30/60	1.102	28.00	1.181	30.00
PN16 N-RC	16/32/64	1.181	30.00	1.260	32.00
PN17 N-RC	17/34/68	1.260	32.00	1.339	34.00
PN18 N-RC	18/36/72	1.339	34.00	1.417	36.00
PN19 N-RC	19/38/76	1.417	36.00	1.496	38.00
PN20 N-RC	20/40/80	1.496	38.00	1.575	40.00
PN21 N-RC	21/42/84	1.575	40.00	1.654	42.00
PN22 N-RC	22/44/88	1.654	42.00	1.732	44.00
PN23 N-RC	23/46/92	1.732	44.00	1.811	46.00
PN24 N-RC	24/48/96	1.811	46.00	1.890	48.00
PN25 N-RC	25/50/100	1.890	48.00	1.969	50.00
PN26 N-RC	26/52/104	1.969	50.00	2.047	52.00
PN27 N-RC	27/54/108	2.047	52.00	2.126	54.00
PN28 N-RC	28/56/112	2.126	54.00	2.205	56.00
PN29 N-RC	29/58/116	2.205	56.00	2.283	58.00
PN30 N-RC	30/60/120	2.283	58.00	2.362	60.00
PN31 N-RC	31/62	2.362	60.00	2.441	62.00
PN32 N-RC	32/64	2.441	62.00	2.520	64.00
PN33 N-RC	33/66	2.520	64.00	2.598	66.00
PN34 N-RC	34/68	2.598	66.00	2.677	68.00
PN35 N-RC	35/70	2.677	68.00	2.756	70.00
PN36 N-RC	36/72	2.756	70.00	2.835	72.00
PN37 N-RC	37/74	2.835	72.00	2.913	74.00
PN38 N-RC	38/76	2.913	74.00	2.992	76.00
PN39 N-RC	39/78	2.992	76.00	3.071	78.00
PN40 N-RC	40/80	3.071	78.00	3.150	80.00



.079" [2.00] Male Shrouded Box Headers, Straight, Right Angle, SMT

SPECIFICATIONS

- **Centered Polarizing Notch**
- Operating Temperature: - 40° C to + 85° C
- Processing Temperature: 230° C for 60 seconds Max.
(260° C, 10 seconds)
- UL Flammability Rating: 94V-0
- Voltage Rating: 20m OHMs Max.
- Current Rating: 2 AMP per contact
- Voltage Drop: AC 500 V.
- Insulation Resistance: 1000 Mega OHMS
- **Mates with SFH21 series (See opposite page)**



PART NUMBER OPTIONS

SBH21 - N B P N - D 10 - ST - BK

SERIES _____
SBH21 = Male Box Header with Centered Polarizing Notch, .079" [2.00mm] Contact Centers

HOUSING MATERIAL _____
N = Nylon 6T

CONTACT MATERIAL _____
B = Brass

CONTACT FINISH - RoHS Compliant _____
P = Gold Flash Overall

CONTACT CENTERS _____
N = .079" [2.00mm]

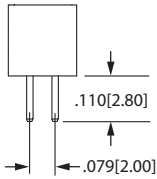
COLOR _____
BK = Black
Other Color Options Available
(Consult Factory)

TERMINATION TYPE _____
ST = Straight
RA = Right Angle
SM = Surface Mount

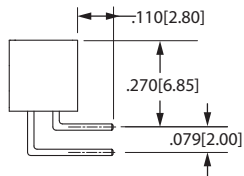
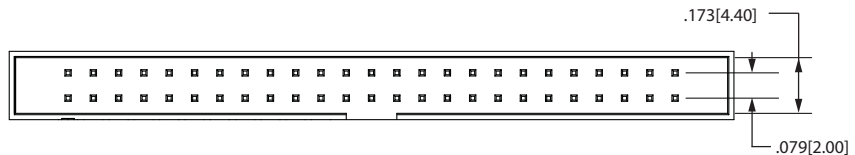
NUMBER OF CONTACT POSITIONS (Pins per Row) _____
03 thru 20, 22, 25, 27, 28, 30, 31, 32, 34

NUMBER OF ROWS _____
D = Dual Row

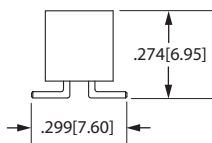
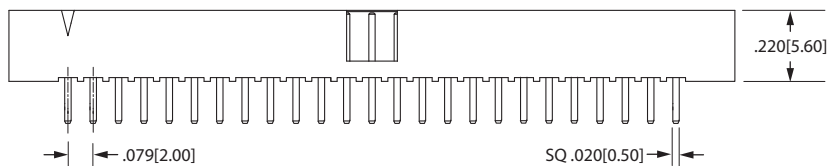
DIMENSIONS For complete drawings, go to www.sullinscorp.com or e-mail techsupport@sullinscorp.com



STRAIGHT (ST)
Example P/N: SBH21-NBPN-D20-ST-BK



RIGHT ANGLE (RA)
Example P/N: SBH21-NBPN-D20-RA-BK



SURFACE MOUNT (SM)
Example P/N: SBH21-NBPN-D20-SM-BK

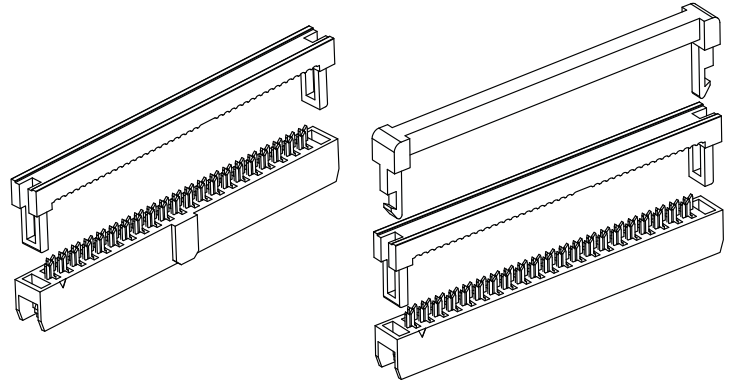




**.079" [2.00] IDC Sockets, Insulation Displacement
With or Without Strain Relief**

SPECIFICATIONS

- **Centered Polarizing Key Optional**
- Operating Temperature: - 45° C to + 85° C
- UL Flammability Rating: 94V-0
- Current Rating: 1 AMP per contact
- Dielectric Withstanding: 500 VAC
- Insulation Resistance: 1000 Mega OHMS
- **Mates with SBH21 series (See opposite page)**



PART NUMBER OPTIONS

SFH21 - P P P N - D 10 - ID - BK - M181

SERIES

- SFH21 = Female Box Header Without Strain Relief, .079" [2.00mm] Contact Centers
- SFH213 = Female Box Header With Strain Relief, .079" [2.00mm] Contact Centers

HOUSING MATERIAL

P = PBT

CONTACT MATERIAL

P = Phosphor Bronze

CONTACT FINISH - RoHS Compliant

- P = Gold Flash Overall
- E = .000100" Pure Tin, Matte, Overall
- V = Gold Flash on Contact Surface, Nickel Underplate on Tails

MODIFICATION (Omit for Standard)

M181 = Without Centered Polarizing Key

COLOR

- BK = Black
- GY = Grey

TERMINATION TYPE (Opposite Page)

ID = Insulation Displacement

NUMBER OF CONTACT POSITIONS

03 thru 13, 15, 17, 20, 22, 25, 30, 34

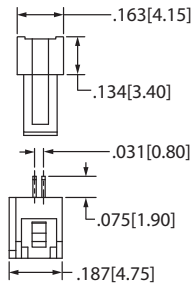
NUMBER OF ROWS

D = Dual Row

CONTACT CENTERS

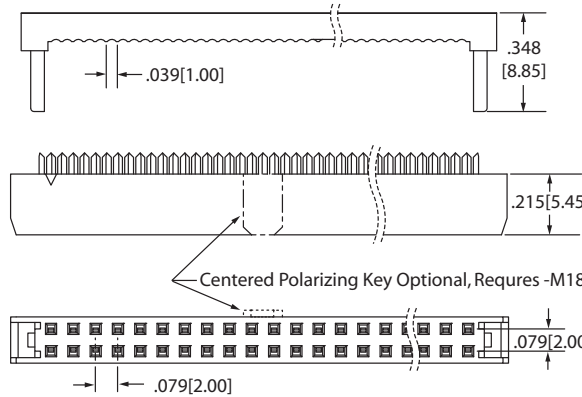
N = .079" [2.00mm]

DIMENSIONS For complete drawings, go to www.sullinscorp.com or e-mail techsupport@sullinscorp.com

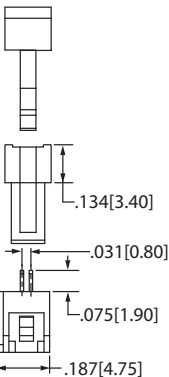
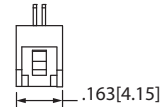


**INSULATION DISPLACEMENT (ID)
without Strain Relief,
requires SFH21**

Example P/N: SFH21-PPPN-D20-ID-BK

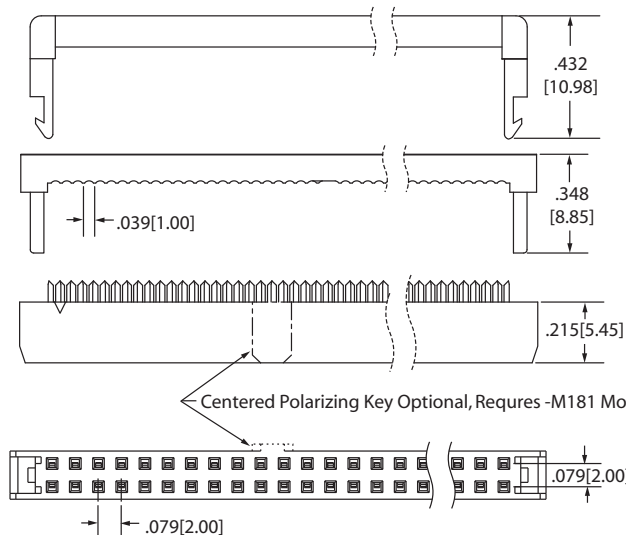


**-M181 Modification
(No Centered
Polarizing Key)**

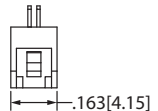


**INSULATION DISPLACEMENT (ID)
with Strain Relief,
requires SFH213**

Example P/N: SFH213-PPPN-D20-ID-BK



**-M181 Modification
(No Centered
Polarizing Key)**

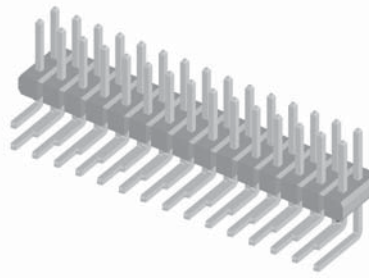




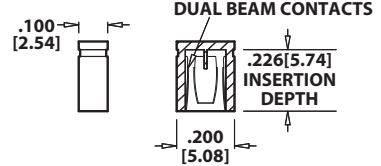
**.100" [2.54 mm] Contact Centers, Male Breakaway Header
Dip Solder/Right Angle/SMT**

SPECIFICATIONS

- 3 amp current rating per contact
- UL Flammability Rating: 94V-O
- Insulator: Polyester, PA9T
- Contact Material: Copper Alloy



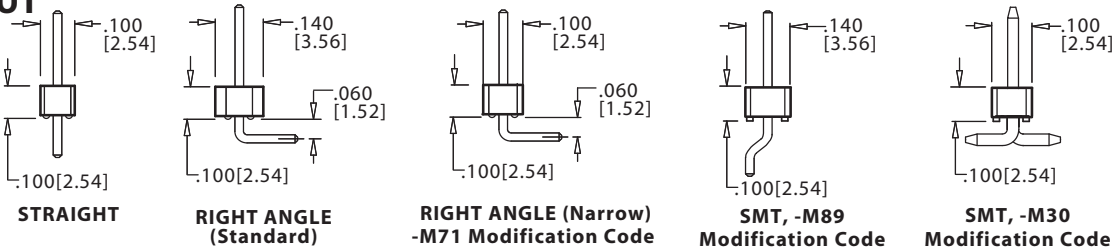
JUMPERS



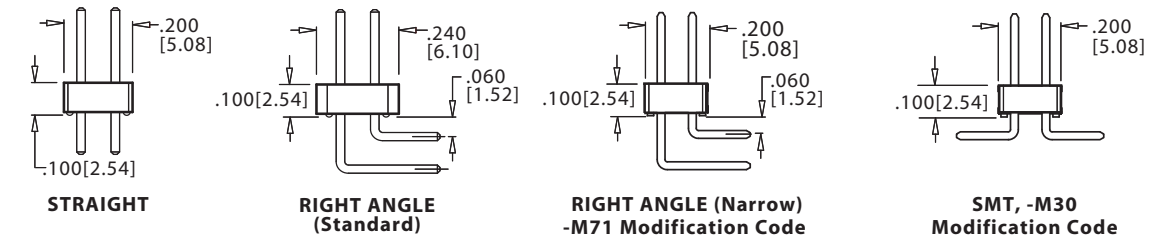
PART NUMBER:
STC02SYAN (TIN PLATE)
SPC02SYAN (GOLD FLASH)
SSC02SYAN (0.00001" GOLD PLATE)

READOUT

SINGLE ROW (S)

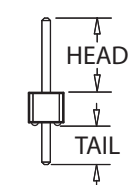


DUAL ROW (D)

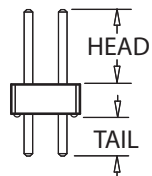


TERMINATION TYPE

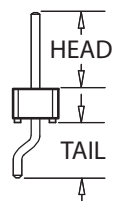
STRAIGHT TERMINATIONS



P/N CODE	HEAD DIMENSION	TAIL DIMENSION
AA	.230 [5.84]	.120 [3.05]
AB	.230 [5.84]	.230 [5.84]
AC	.230 [5.84]	.320 [8.13]
AD	.230 [5.84]	.420 [10.67]
AE	.230 [5.84]	.520 [13.21]
AF	.230 [5.84]	.620 [15.75]
AG	.230 [5.84]	.720 [18.29]
AH	.230 [5.84]	.820 [20.83]
FA	.318 [8.08]	.120 [3.05]
FB	.318 [8.08]	.220 [5.59]
FC	.318 [8.08]	.320 [8.13]
FD	.318 [8.08]	.420 [10.67]
FE	.318 [8.08]	.520 [13.21]
ZA	.120 [3.05]	.120 [3.05]
ZC	.120 [3.05]	.260 [6.60]
ZD	.120 [3.05]	.610 [15.49]

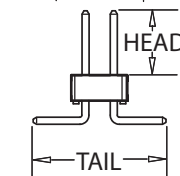
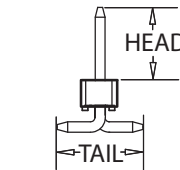
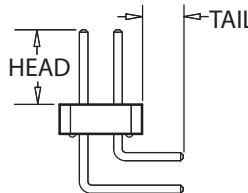
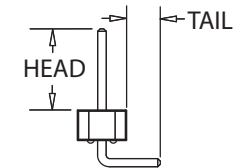


SMT TERMINATIONS, Single Row with -M89 Modification Code, ('G' Material Only)



P/N CODE	HEAD DIMENSION	TAIL DIMENSION
BS	.230 [5.84]	.180 [4.57]
GS	.318 [8.08]	.180 [4.57]

RIGHT ANGLE BEND TERMINATIONS



P/N CODE	HEAD DIMENSION	TAIL DIMENSION	-M71 TAIL DIMENSION
BA	.230 [5.84]	.100 [2.54]	.120 [3.05]
BB	.230 [5.84]	.200 [5.08]	.220 [5.59]
BC	.230 [5.84]	.300 [7.62]	.320 [8.13]
BD	.230 [5.84]	.400 [10.16]	.420 [10.67]
BE	.230 [5.84]	.500 [12.70]	.520 [13.21]
BF**	.230 [5.84]	.600 [15.24]	
BG**	.230 [5.84]	.700 [17.78]	
GA	.318 [8.08]	.100 [2.54]	.120 [3.05]
GB	.318 [8.08]	.200 [5.08]	.220 [5.59]
GC**	.318 [8.08]	.300 [7.62]	
GD**	.318 [8.08]	.400 [10.16]	

**Consult Factory for availability in Dual Readout.

SMT TERMINATIONS, Single or Dual Row with -M30 Modification Code, ('G' Material Only)

P/N CODE	HEAD DIMENSION	SINGLE ROW TAIL DIMENSION	DUAL ROW TAIL DIMENSION
AB	.230 [5.84]	.320 [8.13]	.420 [10.67]
FB	.318 [8.08]	.300 [7.62]	.400 [10.16]



**.100" [2.54 mm] Contact Centers, Male Breakaway Header
Dip Solder/Right Angle/SMT**

PART NUMBER CODING

SERIES ————— **P B C 36 D AA N - Mxxx**

P = PBT/Phosphor Bronze
Operating Temperature: -65°C to + 125°C
Processing Temperature: 260° for 10 sec. Max.

G = PA9T/Phosphor Bronze
Operating Temperature: -65°C to + 150°C
Processing Temperature: 260° for 120 sec. Max.

CONTACT FINISH - RoHS Compliant —————

All platings are Lead Free and have .000050" Nickel underplate

Contact Surface	Termination
B = .000010" Gold	.000100" Pure Tin, Matte
C = .000030" Gold	.000100" Pure Tin, Matte
Contact Surface	Overall Plating
E = .000010" Pure Tin, Matte	.000100" Pure Tin, Matte

CONTACT CENTERS —————

C = .100" [2.54mm]

NUMBER OF POSITIONS —————

01 Thru 36 (eg. 32 Dual = 64 Contacts)

MODIFICATION CODE (Consult Factory)
OMIT FOR STANDARD
-M30 = SMT ('G' Material Only)
-M89 = SMT ('G' Material Only)
-M71 = Narrow Body (Right Angle Only)

MOUNTING STYLE
N =No Mounting
R =Retent Lead (Consult Factory)

TERMINATION TYPE (Opposite Page)

Straight = AA, AB, AC, AD, AE, AF, AG, AH, FA, FB, FC, FD, FE, ZA, ZC, ZD

Right Angle = BA, BB, BC, BD, BE, BF, BG, GA, GB, GC, GD, GS

Right Angle with -M71 Modification Code
= BA, BB, BC, BD, BE, GA, GB

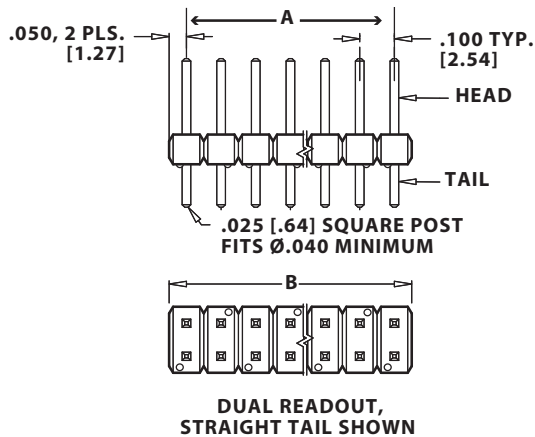
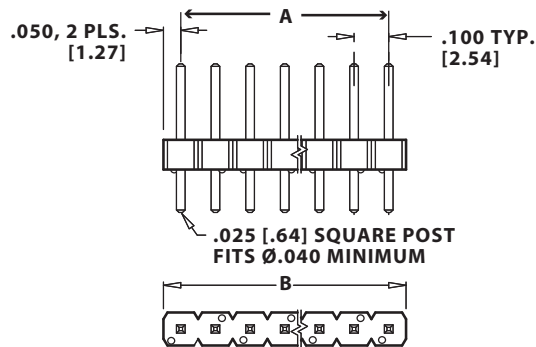
SMT with -M89 Modification Code
= BS, GS ('G' Material Only)

SMT with -M30 Modification Code
= AB, FB ('G' Material Only)

READOUT (Opposite Page)
S = Single
D = Dual

DIMENSIONS

Dimensions in [] are in millimeters, all others are in inches.



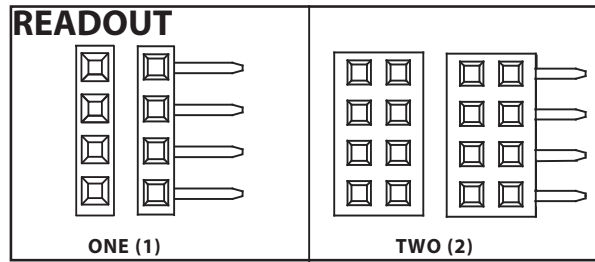
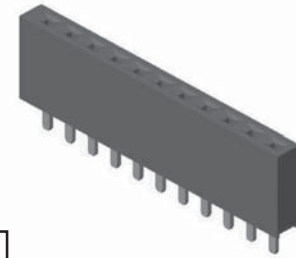
PART NUMBER	NUMBER OF CONTACTS SINGLE/DUAL	A		B	
		Inches	[MM]	Inches	[MM]
P_C01__N	01/02	N/A	N/A	0.100	2.54
P_C02__N	02/04	0.100	2.54	0.200	5.08
P_C03__N	03/06	0.200	5.08	0.300	7.62
P_C04__N	04/08	0.300	7.62	0.400	10.16
P_C05__N	05/10	0.400	10.16	0.500	12.70
P_C06__N	06/12	0.500	12.70	0.600	15.24
P_C07__N	07/14	0.600	15.24	0.700	17.78
P_C08__N	08/16	0.700	17.78	0.800	20.32
P_C09__N	09/18	0.800	20.32	0.900	22.86
P_C10__N	10/20	0.900	22.86	1.000	25.40
P_C11__N	11/22	1.000	25.40	1.100	27.94
P_C12__N	12/24	1.100	27.94	1.200	30.48
P_C13__N	13/26	1.200	30.48	1.300	33.02
P_C14__N	14/28	1.300	33.02	1.400	35.56
P_C15__N	15/30	1.400	35.56	1.500	38.10
P_C16__N	16/32	1.500	38.10	1.600	40.64
P_C17__N	17/34	1.600	40.64	1.700	43.18
P_C18__N	18/36	1.700	43.18	1.800	45.72
P_C19__N	19/38	1.800	45.72	1.900	48.26
P_C20__N	20/40	1.900	48.26	2.000	50.80
P_C21__N	21/42	2.000	50.80	2.100	53.34
P_C22__N	22/44	2.100	53.34	2.200	55.88
P_C23__N	23/46	2.200	55.88	2.300	58.42
P_C24__N	24/48	2.300	58.42	2.400	60.96
P_C25__N	25/50	2.400	60.96	2.500	63.50
P_C26__N	26/52	2.500	63.50	2.600	66.04
P_C27__N	27/54	2.600	66.04	2.700	68.58
P_C28__N	28/56	2.700	68.58	2.800	71.12
P_C29__N	29/58	2.800	71.12	2.900	73.66
P_C30__N	30/60	2.900	73.66	3.000	76.20
P_C31__N	31/62	3.000	76.20	3.100	78.74
P_C32__N	32/64	3.100	78.74	3.200	81.28
P_C33__N	33/66	3.200	81.28	3.300	83.82
P_C34__N	34/68	3.300	83.82	3.400	86.36
P_C35__N	35/70	3.400	86.36	3.500	88.90
P_C36__N	36/72	3.500	88.90	3.600	91.44



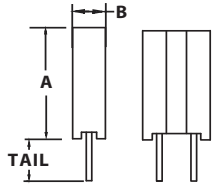
**.100" [2.54 mm] Contact Centers, Female Header
Dip Solder/Right Angle/SMT**

SPECIFICATIONS

- 3 amp current rating per contact
- UL Flammability Rating : 94V-O
- Insulator : Nylon 6-T/Polyester
- Contact Material : Phosphor Bronze

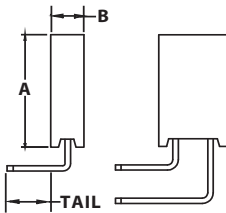


TERMINATION TYPE



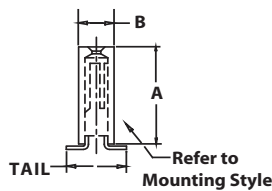
STRAIGHT

P/N CODE	ROWS	TERM	A	B	TAIL
LFB	1	STRAIGHT	.334 [8.50]	.094 [2.50]	.125 [3.20]
	2	STRAIGHT	.334 [8.50]	.197 [5.00]	.125 [3.20]



RIGHT ANGLE

P/N CODE	ROWS	TERM	A	B	TAIL
LGB	1	RIGHT ANGLE	.334 [8.50]	0.094 [2.40]	.125 [3.15]
LJB	2	RIGHT ANGLE	.334 [8.50]	0.197 [5.00]	.125 [3.15]



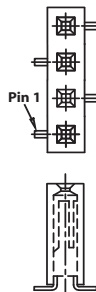
SMT

P/N CODE	ROWS	TERM	ENTRY	A	B	TAIL
KFX	1	SMT	TOP ENTRY	.279 [7.10]	.098 [2.50]	.169 [4.30]
KFM	2	SMT	TOP ENTRY	.279 [7.10]	.197 [5.00]	.265 [6.80]

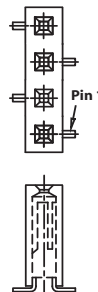
MOUNTING STYLE



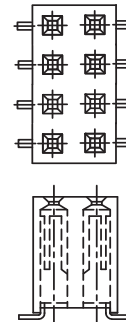
No Mounting Standard (N)



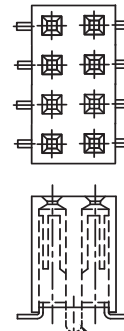
One Row SMT, Pin 1 Left (C)



One Row SMT, Pin 1 Right (D)



Two Row SMT, Without Guide Post (S)

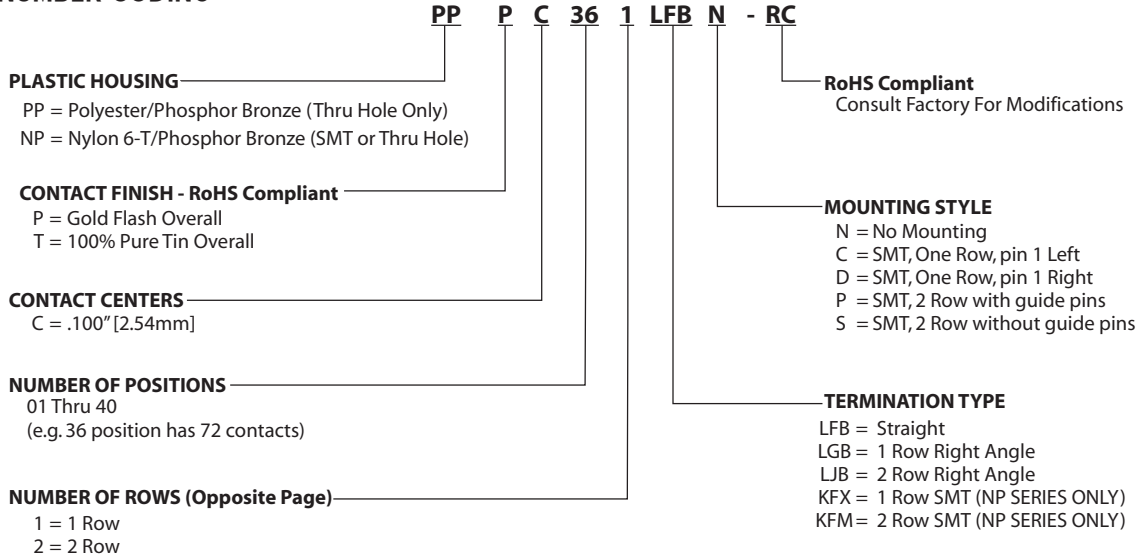


Two Row SMT, With Guide Post (P)



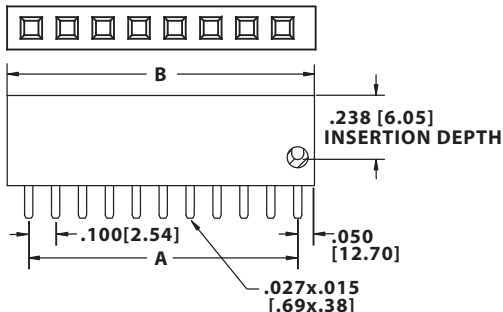
**.100" [2.54 mm] Contact Centers, Female Header
Dip Solder/Right Angle/SMT**

PART NUMBER CODING

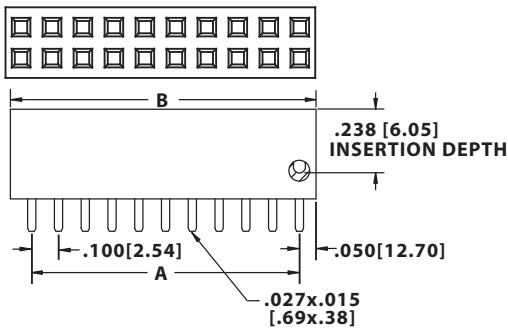


DIMENSIONS

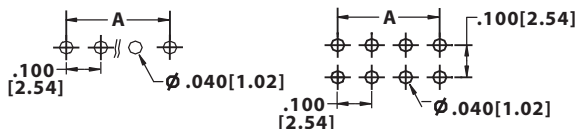
Dimensions in [] are in millimeters, all others are in inches.



**SINGLE READOUT,
STRAIGHT TAIL SHOWN**



**DUAL READOUT,
STRAIGHT TAIL SHOWN**



**Recommended P.C. Board
Hole Layout**

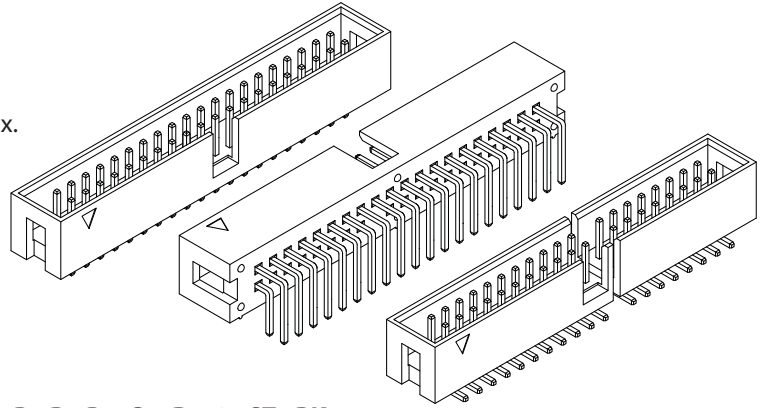
Number of Positions	Number of Contacts		Dimension A		Dimension B	
	1 Row	2 Row	Inches	[mm]	Inches	[mm]
01	1	2				
02	2	4	.100	2.54	.220	5.58
03	3	6	.200	5.08	.320	8.12
04	4	8	.300	7.62	.420	10.66
05	5	10	.400	10.16	.520	13.20
06	6	12	.500	12.70	.620	15.74
07	7	14	.600	15.24	.720	18.28
08	8	16	.700	17.78	.820	20.82
09	9	18	.800	20.32	.920	23.36
10	10	20	.900	22.86	1.020	25.90
11	11	22	1.000	25.40	1.120	28.44
12	12	24	1.100	27.94	1.220	30.98
13	13	26	1.200	30.48	1.320	33.52
14	14	28	1.300	33.02	1.420	36.06
15	15	30	1.400	35.56	1.520	38.60
16	16	32	1.500	38.10	1.620	41.14
17	17	34	1.600	40.64	1.720	43.68
18	18	36	1.700	43.18	1.820	46.22
19	19	38	1.800	45.72	1.920	48.76
20	20	40	1.900	48.26	2.020	51.30
21	21	42	2.000	50.80	2.120	53.84
22	22	44	2.100	53.34	2.220	56.38
23	23	46	2.200	55.88	2.320	58.92
24	24	48	2.300	58.42	2.420	61.46
25	25	50	2.400	60.96	2.520	64.00
26	26	52	2.500	63.50	2.620	66.54
27	27	54	2.600	66.04	2.720	69.08
28	28	56	2.700	68.58	2.820	71.62
29	29	58	2.800	71.12	2.920	74.16
30	30	60	2.900	73.66	3.020	76.70
31	31	62	3.000	76.20	3.120	79.24
32	32	64	3.100	78.74	3.220	81.78
33	33	66	3.200	81.28	3.320	84.32
34	34	68	3.300	83.82	3.420	86.86
35	35	70	3.400	86.36	3.520	89.40
36	36	72	3.500	88.90	3.620	91.94
37	37	74	3.600	91.44	3.720	94.48
38	38	76	3.700	93.98	3.820	97.02
39	39	78	3.800	96.52	3.920	99.56
40	40	80	3.900	99.06	4.020	102.10



.100" [2.54] Male Shrouded Box Headers, Straight, Right Angle, SMT

SPECIFICATIONS

- **Centered Polarizing Notch**
- Operating Temperature: - 40° C to + 85° C
- Processing Temperature: 230° C for 60 seconds Max.
(260° C, 10 seconds)
- UL Flammability Rating: 94V-0
- Voltage Rating: 20m OHMs Max.
- Current Rating: 3 AMP per contact
- Voltage Drop: AC 500 V.
- Insulation Resistance: 1000 Mega OHMS
- **Mates with SFH11 series (See opposite page)**



PART NUMBER OPTIONS

SBH11 - P B P C - D 10 - ST - BK

SERIES

SBH11 = Male Box Header with Centered Polarizing Notch, .100" [2.54mm] Contact Centers

HOUSING MATERIAL

P = PBT
N = Nylon 6T

CONTACT MATERIAL

B = Brass

CONTACT FINISH - RoHS Compliant

P = Gold Flash Overall

CONTACT CENTERS

C = .100" [2.54mm]

COLOR

BK = Black
Other Color Options Available
(Consult Factory)

TERMINATION TYPE

ST = Straight
RA = Right Angle
SM = Surface Mount, 'N' Material Only

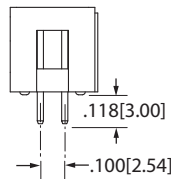
NUMBER OF CONTACT POSITIONS (Pins per Row)

03 thru 08, 10, 12, 13, 15, 17, 20, 22, 25, 30, 32

NUMBER OF ROWS

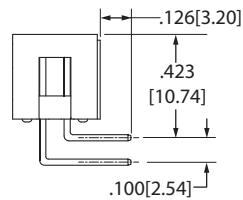
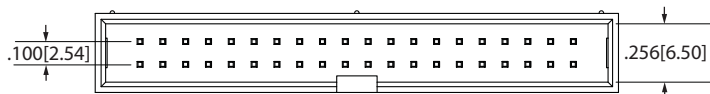
D = Dual Row

DIMENSIONS For complete drawings, go to www.sullinscorp.com or e-mail techsupport@sullinscorp.com



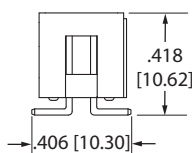
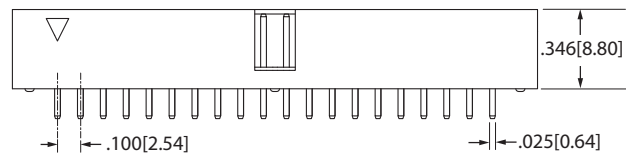
STRAIGHT (ST)

Example P/N: SBH11-PBPC-D20-ST-BK



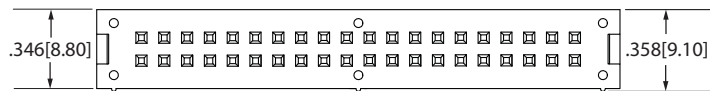
RIGHT ANGLE (RA)

Example P/N: SBH11-PBPC-D20-RA-BK



SURFACE MOUNT (SM)

Example P/N: SBH11-NBPC-D20-SM-BK

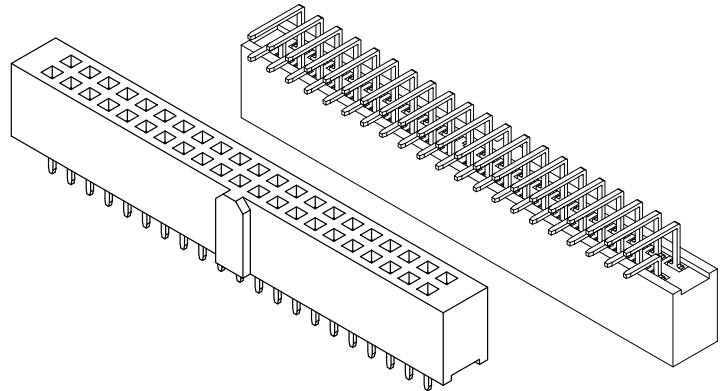




.100" [2.54] Female Headers, Straight and Right Angle

SPECIFICATIONS

- **Centered Polarizing Key Optional**
- Operating Temperature: - 40° C to + 105° C
- Processing Temperature: 230° C for 60 seconds Max.
(260° C, 10 seconds)
- UL Flammability Rating: 94V-0
- Voltage Rating: 20m OHMs Max.
- Current Rating: 3 AMP per contact
- Dielectric Withstanding: 500 VAC
- Insulation Resistance: 1000 Mega OHMS
- **Mates with SBH11 series (See opposite page)**



PART NUMBER OPTIONS

SFH11 - P P P C - D 10 - ST - BK - M181

SERIES

SFH11 = Female Box Header with Centered Polarizing Key, .100" [2.54mm] Contact Centers

HOUSING MATERIAL

P = PBT

CONTACT MATERIAL

P = Phosphor Bronze
B = Brass

CONTACT FINISH - RoHS Compliant

P = Gold Flash Overall
E = .000100" Pure Tin, Matte, Overall

CONTACT CENTERS

C = .100" [2.54mm]

MODIFICATION (Omit for Standard)

M181 = Without Centered Polarizing Key

COLOR

BK = Black
GY = Grey

TERMINATION TYPE (Opposite Page)

ST = Straight
RA = Right Angle

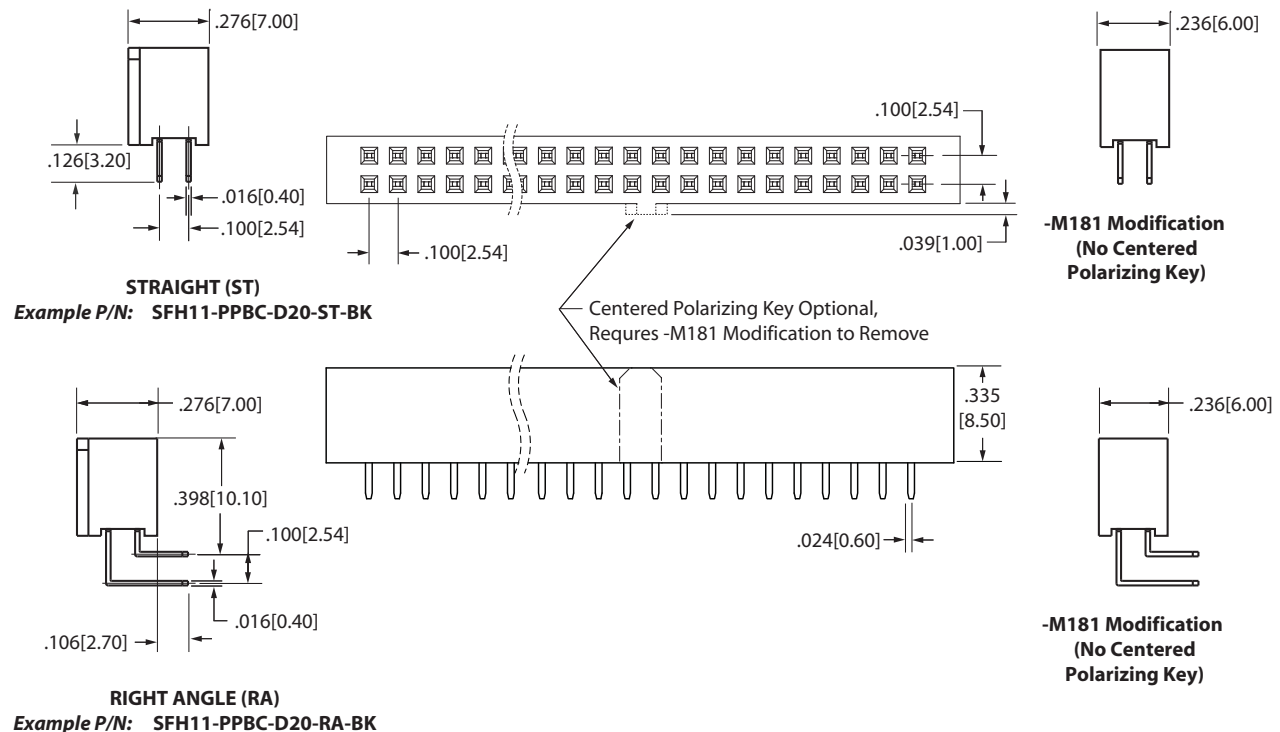
NUMBER OF CONTACT POSITIONS

03 thru 08, 10, 12, 13, 15, 17, 20, 25, 30, 32

NUMBER OF ROWS

D = Dual Row

DIMENSIONS For complete drawings, go to www.sullinscorp.com or e-mail techsupport@sullinscorp.com

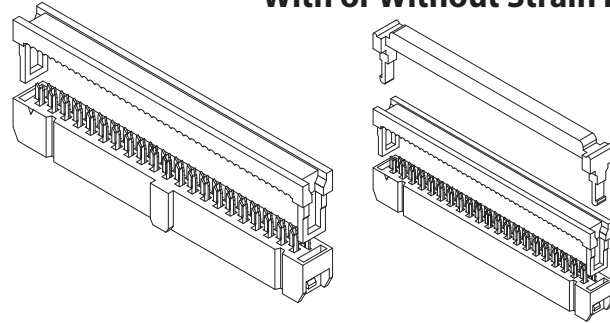


Sullins Headers



.100" [2.54 mm] IDC Socket, Insulation Displacement With or Without Strain Relief

- **Centered Polarizing Key Optional**
- Operating Temperature: - 40° C to + 105° C
- UL Flammability Rating: 94V-0
- Current Rating: 1 AMP per contact
- Dielectric Withstanding: 500 VAC
- Insulation Resistance: 3,000 Mega OHMS
- For 1.27 mm Pitch AWG 28 Flat Ribbon Cable
- **Mates with SBH11 series**



PART NUMBER OPTIONS

SFH210 - P P P C - D 10 - ID - BK - Mxxx

SERIES
 SFH210 = IDC Socket, Without Strain Relief, .100" [2.54mm] Contact Centers
 SFH213 = IDC Socket, With Strain Relief, .100" [2.54mm] Contact Centers

HOUSING MATERIAL
 P = PBT

CONTACT MATERIAL
 P = Phosphor Bronze

CONTACT FINISH - RoHS Compliant
 P = Gold Flash Overall
 E = .000100" Pure Tin, Matte, Overall
 V = Gold Flash on Contact Surface, Nickel Underplate on Tails
 J = .000015" Gold on Contact Surface, Gold Flash on Tails
 K = .000015" Gold on Contact Surface, Nickel Underplate on Tails

MODIFICATION (Omit for Standard)

M181 = Without Centered Polarizing Key
 M207 = With Polarizing Key, With Mylar in Tape & Reel (only for SFH210)
 M208 = Without Polarizing Key, With Mylar in Tape and Reel (only for SFH210)

COLOR

BK = Black

TERMINATION TYPE

ID = Insulation Displacement

NUMBER OF CONTACT POSITIONS

03 thru 13, 15, 17, 20, 25, 30, 32
*M208 and M207 not available in 30 and 32

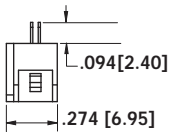
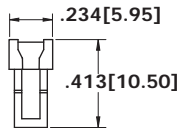
NUMBER OF ROWS

D = Dual Row

CONTACT CENTERS

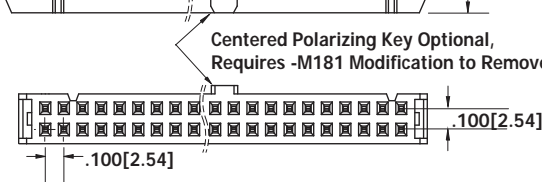
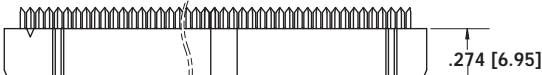
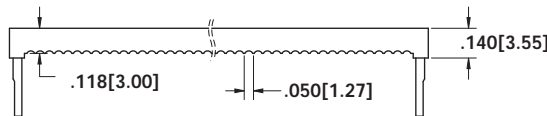
C = .100" [2.54mm]

DIMENSIONS For complete drawings, go to www.sullinscorp.com or e-mail techsupport@sullinscorp.com

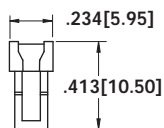
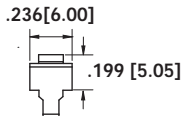
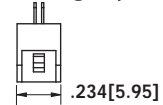


INSULATION DISPLACEMENT (ID) without Strain Relief requires SFH210

Example P/N: SFH210-PPPC-D03-ID-BK

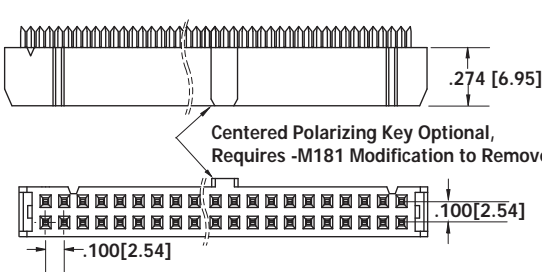
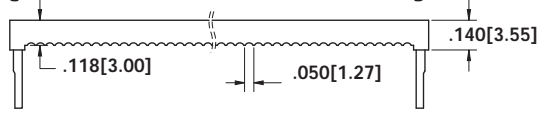
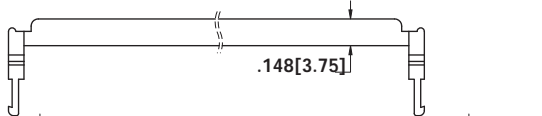


-M181 Modification (No Centered Polarizing Key)

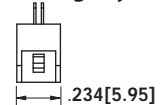


INSULATION DISPLACEMENT (ID) with Strain Relief requires SFH213

Example P/N: SFH213-PPPC-D03-ID-BK



-M181 Modification (No Centered Polarizing Key)





.100" [2.54 mm] IDC Dip Plug, Straight

SPECIFICATIONS

- Operating Temperature: - 40° C to + 105° C
- Current Rating: 1 AMP per contact
- Dielectric Withstanding: 1,000 VAC
- Insulation Resistance: 5,000 Mega OHMS
- For 1.27 mm Pitch AWG 28 Flat Ribbon Cable

PART NUMBER OPTIONS

SIP110 - P P P C - D 10 - ST - BK

SERIES ——— SIP110 = IDC Dip Plug
.100" [2.54mm] Contact Centers

HOUSING MATERIAL ——— P = PBT

CONTACT MATERIAL ——— P = Phosphor Bronze

CONTACT FINISH - RoHS Compliant ———
P = Gold Flash Overall
E = .000100" Pure Tin, Matte, Overall
V = Gold Flash on Contact Surface, Nickel Underplate on Tails
J = .000015" Gold on Contact Surface, Gold Flash on Tails
K = .000015" Gold on Contact Surface, Nickel Underplate on Tails

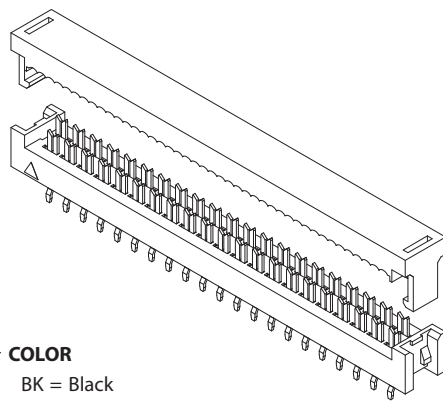
COLOR
BK = Black

TERMINATION TYPE
ST = Straight
SK = Straight with Kink

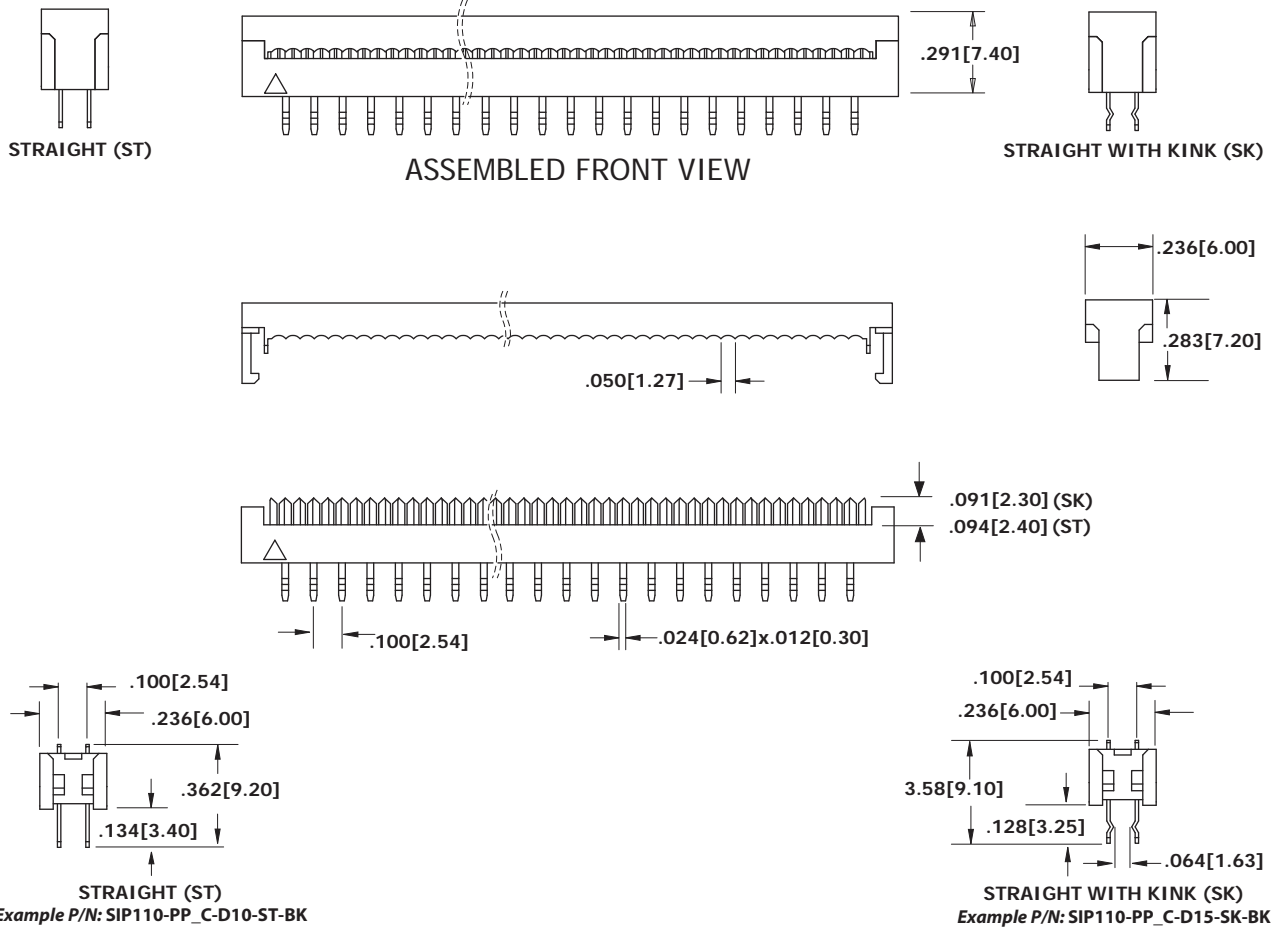
NUMBER OF CONTACT POSITIONS
03 thru 10, 12, 13, 14, 15, 17, 20, 25, 30, 32

NUMBER OF ROWS
D = Dual Row

CONTACT CENTERS
C = .100" [2.54mm]



DIMENSIONS For complete drawings, go to www.sullincorp.com or e-mail techsupport@sullincorp.com





GENERAL SPECIFICATIONS

RoHS COMPLIANT



RoHS
COMPLIANT

All parts are currently manufactured with recommended materials to meet RoHS standards. All contacts have 50u" of nickel underplating, and a large selection of plating options: Pure tin matte, overall gold, or selective gold plating. For complete part number information or operating/processing temperature parameters, visit the RoHS section of our website, or refer to page 99 of this catalog.

MATERIALS

To determine Assembly Operating Temperature, take the lower of two temperatures

Insulator:			Operating Temperature	Processing Temperature
Standard	PBT, Valox*	Glass filled Thermoplastic Polyester	-65°C to +130°C	260°C / 10 Seconds
Special	PPS, Ryton*	Glass/Mineral filled Polyphenylene Sulfide, Green	-65°C to +220°C	260°C / 120 Seconds
Special	PPS, Ryton*	Glass filled Polyphenylene Sulfide, Brown	-65°C to +200°C	260°C / 120 Seconds
Special	PA9T	High Temperature Polyamide	-65°C to +150°C	260°C / 120 Seconds
Special	Peek	Glass filled Polyetheretherketone	-65°C to +250°C	

Contacts:

Standard	Phosphor Bronze (Available in All Contact Styles)	-65°C to +125°C
Special	Beryllium Copper (Consult Factory)	-65°C to +150°C
Special	Spinodal** (Consult Factory)	-65°C to +200°C
Special	Beryllium Nickel (Consult Factory)	-65°C to +300°C

Plating:

Gold and/or Tin over .000050" Nickel Underplate, Lead Free

UL/CUL File Number: E64287 Section 2

Cage Code: 31223

* Or equivalent.

** Consult factory for special soldering guidelines.

MECHANICAL

Board Insertion Force 16 oz Maximum per contact pair using .062"[1.58mm] thick steel test blade

Board Withdrawal Force 1 oz Minimum per contact pair using .062"[1.58mm] thick steel test blade

Special Insertion/Withdrawal forces available upon request

ELECTRICAL PERFORMANCE (Per Mil-C-21097C)

Insulation Resistance: 5,000 Mega Ohm

Dielectric Withstanding Voltage

Contact Centers:	.100"[2.54mm]	.125"[3.18mm]	.150"[3.81mm]	.156"[3.96mm]
Voltage:	600 VDC	800 VDC	1500 VDC	1800 VDC
	750 VAC	750 VAC	900 VAC	950 VAC

Current Rating: 3 to 5 amper (amps) per contact

Voltage Drop: 30 Milli volt at rated current

Contact Resistance: 30 Milli ohm maximum at rated current

Registered Trademarks

Sabic Innovative Plastics: Valox

Phillips 66: Ryton

RTP Compounder: PEEK

Sullins Electronics: Sullins

Gardner-Denver Co.: Wire Wrap

Ametek: Spinodal

Underwriters Labs: UL

Sullins Electronics: Zero Lead Time



MP - 0 100 - 22 - D W - 5 xxx

PLATING - RoHS Compliant

ALL PLATINGS ARE LEAD FREE AND HAVE
.000050" NICKEL UNDERPLATE

	Contact Surface	Termination
*MPSL =	.000010" Gold	.000100" Pure Tin Matte
*EMPSL =	.000010" Gold	.000100" Pure Tin Matte
*MPL =	.000100" Overall Pure Tin, Matte	
*EMPL =	.000100" Overall Pure Tin, Matte	
MP =	.000010" Overall Gold	
EMP =	.000010" Overall Gold	
MPP =	Spinodal Contact Material (Overall Gold Only)	
EMPP =	Spinodal Contact Material (Overall Gold Only)	

*** Requires 'K' Modification Code**

Platings that start with 'E' are for Economy Eyelet Only
Other Plating and thicknesses available upon request.

INSULATOR MATERIAL

All Materials are U.L. Approved 94V-0

- 0 = PBT, Blue
- 1 = PPS, Brown
- 2 = PBT, Green
- 3 = PBT, Black
- 4 = PA9T, Black
- 5 = PPS, Black
- 6 = PPS, Green
- 7 = PPS, Brown
- 8 = Peek, Natural

CONTACT CENTERS

- 100 = .100" [2.54mm]
- 125 = .125" [3.18mm]
- 150 = .150" [3.84mm]
- 156 = .156" [3.96mm]

NUMBER OF POSITIONS

02 - 70 Contacts Per Row

READOUT

D = Dual Row

TERMINATION TYPE

- FS = .045" Square Tails - .720" Insulator Height
- P = Solder Eyelet - .431" Insulator Height
- PE = Economy Eyelet - .431" Insulator Height, Card Extender, .156" only
- R = .026" Round Tails - .610" Insulator Height,
- S = Dip Solder - .431" Insulator Height
- SE = Card Extender - .431" Insulator Height
- W = .025" Square Wire Wrap - .610" Insulator Height
- WE = .025" Square Card Extender - .610" Insulator Height

MOUNTING STYLE

- 1 = **.125" Clearance Holes**
.245" Ears, .431" Insulator Height
.250" Flush Ears, .610" Insulator Height
- 2 = **#4-40 Threaded Insert**
.245" Ears, .431" Insulator Height
.250" Flush Ears, .610" Insulator Height
- 3 = **Floating Bobbin**
.220" Ears not Including Bobbin on All Connectors (Flush Ears on .610 Insulator Height)
- 4 = **No Mounting Ears**
All Connectors
- 5 = **Raised with .125" Clearance Holes**
Wire Wrap Only, .610" Insulator Height
- 6 = **Raised with #4-40 Threaded Insert**
Wire Wrap Only, .610" Insulator Height
- 8 = **.125" Side Holes (Cross Drilled)**
- 9 = **One Ear, .125" Clearance Hole**
Dip Solder & Eyelet
- 10 = **One Ear, #4-40 Threaded Insert**
Dip Solder & Eyelet
- 11 = **.142" Mounting Holes**
.431" Insulator Height, Dip Solder, Eyelet
.610" Insulator Height, Wire Wrap
- 12 = **.128" Clearance Holes**
.431" Insulator Height, Dip Solder & Eyelet
.610" Insulator Height, Wire Wrap
- 13 = **Flush Ears, .128" Clearance Holes**
.430" Ears with Pad on .610" Insulator Height, Wire Wrap Only
- 14 = **.142" Side Holes (Cross Drilled)**
.431" Insulator Height, Dip Solder, Eyelet
.610" Insulator Height, Wire Wrap
- 15 = **Flush Ears, .125" Clearance Holes**
.190" Ears, No Pad
.610" Insulator Height, Wire Wrap Only
- 16 = **Flush .250" Ears to top of the Card Entry Side of the Connector,**
.610" Insulator Height, Wire Wrap Only
- 18 = **Flush Ears, .125" Side Holes (Cross Drilled)**
- 19 = **.152" Clearance Holes**
.610" Insulator Height, Wire Wrap Only
- 58 = **Raised Ears, .125" Side Holes (Cross Drilled)**
- 81 = **Flush Ears, .125" Side Holes**
.250" Ears with Pad, .610" Insulator Height, Wire Wrap
- 86 = **Side Holes with #4-40 Threaded Insert**
.250" Ears with Pad, .610" Insulator Height

MODIFICATION CODE

CONSULT FACTORY FOR OTHER OPTIONS

- A = **Contacts Loaded one side only**
- B = **Center Barrier for 28/56** - .156" Dip Solder & Eyelet
- C = **.030" Longer Cardslot and Mounting Hole Centers for 22/44,** All .156" (Consult Factory)
- D = **.000050" Gold Plating** - (Consult Factory)
- E9 = **.200" Row Spacing on .156" Contact Centers**
- F = **6.802" Cardslot for 43/86** .156" Eyelet & Wire Wrap Only
- F9 = **6.802" Cardslot and .200" Row Spacing for 43/86** Dip Solder Only
- G = **.000030" Gold Plating on Contact Surface; .000010" Gold Overall**
- H = **.190" Contact Length** for .025" Square & .026" Round Contacts
.250" Contact Length without Standoffs
- J = **Low Insertion Force**
- K = **MPSL** - Selective Gold with Pure Tin, Matte Plating on Tails
MPL - Overall Pure Tin, Matte
- L = **.140" Contact Length** for .156" Dip Solder Only
- M = **Pad on Bottom of Mounting Ears** for .156", .431" Insulator Height, Dip Solder & Eyelet Only
- N = **Hi-light Contact ID on Bottom** (Consult Factory)
- P = **Engraving Reversed** (Consult Factory)
- Q = **Right Angle Connector Contacts Untrimmed** (Requires 'R' Modification Code)
- R = **Right Angle Connectors**
- S = **Shorter Overall Length**
- T = **Center Standoffs Removed** .100" & .125" Wire Wrap Only
- TT = **No Standoffs**
- U = **.000020" Gold Plating**
- X9 = **.200" Row Spacing** for .100" & .156" Dip Solder Only
.250" Row Spacing for .125" Dip Solder Only
- Y = **Beryllium Copper Contacts**
- Z = **Standoffs on .156" Wire Wrap**

Micro Plastics Edgcards

See applicable specification pages for more information.

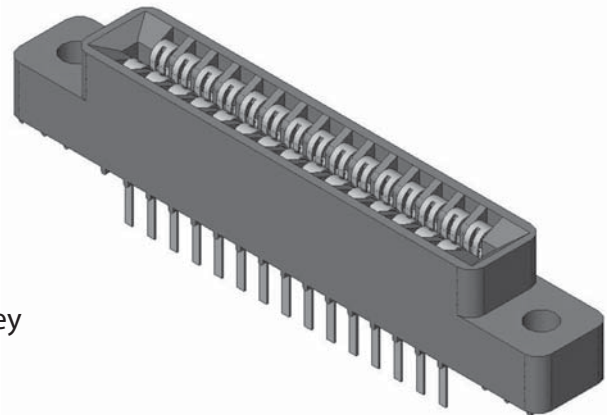
Specifications are subject to change without notice.



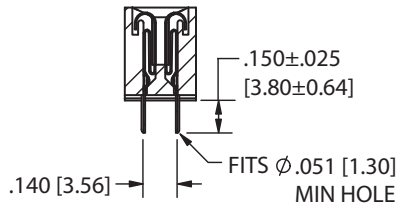
**.100" [2.54 mm] Contact Centers, .431" [10.95 mm] Insulator Height,
Dip Solder**

SPECIFICATIONS

- Accommodates $.062" \pm .008"$ [1.57 ± 0.20] PC Board
- Insulator Material available in PBT, PPS or PA9T
- 3 Amp Current Rating per contact
- Insulator / Contact Specifications and Part Number Coding See Pages 98-99
- Row Spacing Available in .140" or .200" (Use Modification Code 'X9' for .200")
- P/N 04-0003-000 for In Between Contact Position Key See Page 142 (Sold Separately)
- Molded-in Key Available - Consult Factory

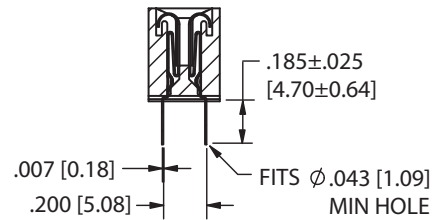


TERMINATION TYPE



**DIP SOLDER (S)
.140" ROW SPACING**

Example P/N: MP~~S~~L-0100-10-DS-1K

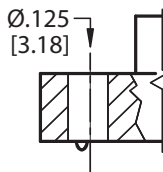


**DIP SOLDER (S)
.200" ROW SPACING
USE 'X9' MODIFICATION CODE**

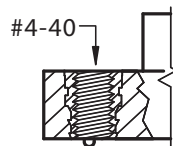
Example P/N: MP~~S~~L-0100-10-DS-1X9K

Micro Plastics Edgards

MOUNTING STYLE



(STYLE 1)



(STYLE 2)



(STYLE 3)



(STYLE 4)



.100" [2.54 mm] Contact Centers, .431" [10.95 mm] Insulator Height, Dip Solder

PART NUMBER CODING

MPSL - 0 100 - 10 - D S - 1 K

PLATING - RoHS Compliant

All Platings are Lead Free and have .000050" Nickel Underplate

Contact Surface Termination

*MPSL = .000010" Gold .000100" Pure Tin, Matte

*MPL = .000100" Overall Pure Tin, Matte

MP = .000010" Overall Gold

*Requires 'K' Modification Code

INSULATOR MATERIAL**

0 = PBT

CONTACT CENTERS

100 = .100" [2.54mm]

NUMBER OF POSITIONS

Contacts Per Row (See Position Chart Below)

MODIFICATION CODE**

K = Required on MPSL or MPL Plating
Omit for MP Plating (Overall Gold)

X9 = .200" Row Spacing

MOUNTING STYLE (See Opposite Page)

- 1 = .125" Clearance Hole
- 2 = #4-40 Threaded Insert
- 3 = Floating Bobbin
- 4 = No Mounting

TERMINATION TYPE (See Opposite Page)

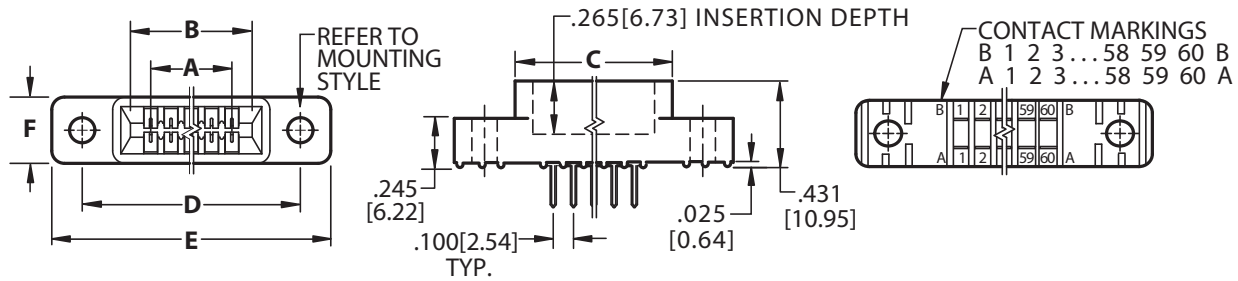
S = Dip Solder

READOUT

D = Dual

DIMENSIONS

Dimensions in [] are in millimeters, all others are in inches.



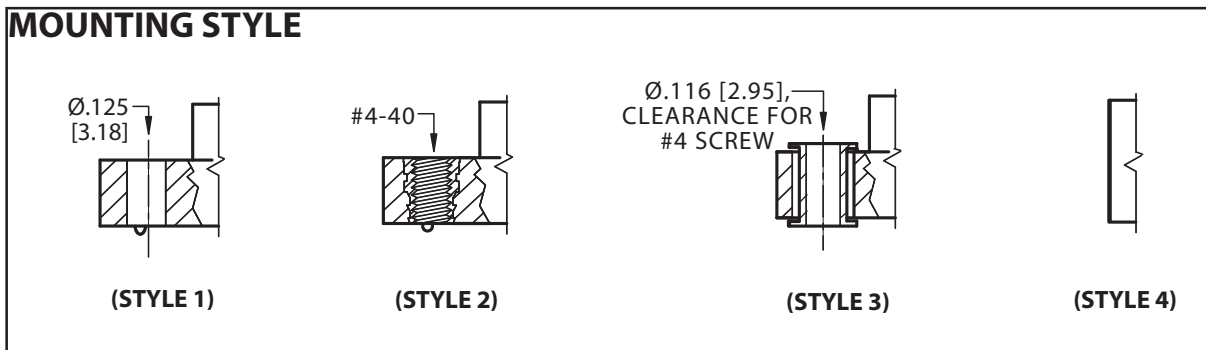
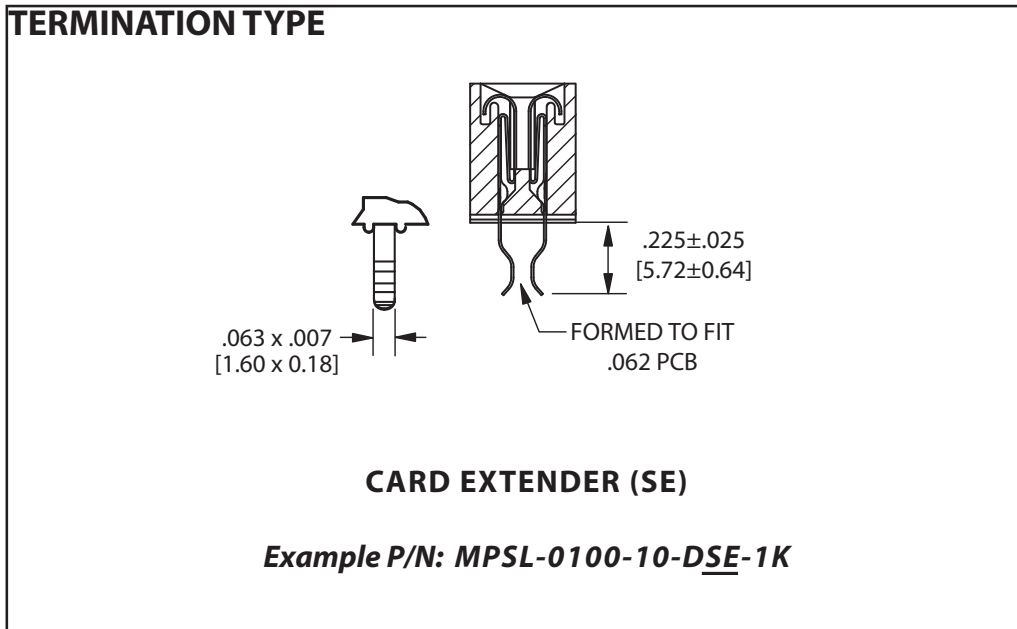
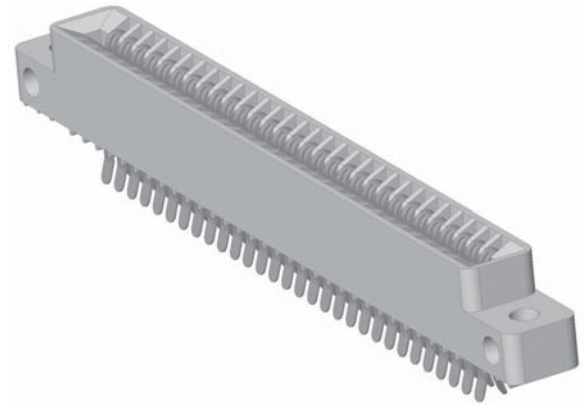
POSITIONS/ CONTACTS	INCHES					F±.005	[MILLIMETERS]					F±0.13
	A±.008	B±.008	C±.015	D±.010	E±.020		A±0.20	B±0.20	C±0.38	D±0.25	E±0.51	
05/10	0.400	0.600	0.775	1.075	1.375	0.330	10.16	15.24	19.69	27.31	34.93	8.38
06/12	0.500	0.700	0.875	1.175	1.475		12.70	17.78	22.23	29.85	37.47	
07/14	0.600	0.800	0.975	1.275	1.575		15.24	20.32	24.77	32.39	40.01	
08/16	0.700	0.900	1.075	1.375	1.675		17.78	22.86	27.31	34.93	42.55	
10/20	0.900	1.100	1.275	1.575	1.875		22.86	27.94	32.39	40.01	47.63	
12/24	1.100	1.300	1.475	1.775	2.075		27.94	33.02	37.47	45.09	52.71	
13/26	1.200	1.400	1.575	1.875	2.175		30.48	35.56	40.01	47.63	55.25	
15/30	1.400	1.600	1.775	2.075	2.375		35.56	40.64	45.09	52.71	60.33	
17/34	1.600	1.800	1.975	2.275	2.575		40.64	45.72	50.17	57.79	65.41	
18/36	1.700	1.900	2.075	2.375	2.675		43.18	48.26	52.71	60.33	67.95	
19/38	1.800	2.000	2.175	2.475	2.775		45.72	50.80	55.25	62.87	70.49	
20/40	1.900	2.100	2.275	2.575	2.875		48.26	53.34	57.79	65.41	73.03	
22/44	2.100	2.300	2.475	2.775	3.075		53.34	58.42	62.87	70.49	78.11	
25/50	2.400	2.600	2.775	3.075	3.375		60.96	66.04	70.49	78.11	85.73	
26/52	2.500	2.700	2.875	3.175	3.475		63.50	68.58	73.03	80.65	88.27	
28/56	2.700	2.900	3.075	3.375	3.675		68.58	73.66	78.11	85.73	93.35	
30/60	2.900	3.100	3.275	3.575	3.875		73.66	78.74	83.19	90.81	98.43	
31/62	3.000	3.200	3.375	3.675	3.975		76.20	81.28	85.73	93.35	100.97	
35/70	3.400	3.600	3.775	4.075	4.375		86.36	91.44	95.89	103.51	111.13	
36/72	3.500	3.700	3.875	4.175	4.475	88.90	93.98	98.43	106.05	113.67		
40/80	3.900	4.100	4.275	4.575	4.875	99.06	104.14	108.59	116.21	123.83		
43/86	4.200	4.400	4.575	4.875	5.175	106.68	111.76	116.21	123.83	131.45		
44/88	4.300	4.500	4.675	4.975	5.275	109.22	114.30	118.75	126.37	133.99		
49/98	4.800	5.000	5.175	5.475	5.775	121.92	127.00	131.45	139.07	146.69		
50/100	4.900	5.100	5.275	5.575	5.875	124.46	129.54	133.99	141.61	149.23		
60/120	5.900	6.100	6.275	6.575	6.875	149.86	154.94	159.39	167.01	174.63		
65/130	6.400	6.600	6.775	7.075	7.375	162.56	167.64	172.09	179.71	187.33		



**.100" [2.54 mm] Contact Centers, .431" [10.95 mm] Insulator Height,
Card Extender**

SPECIFICATIONS

- Accommodates $.062" \pm .008"$ [1.57 ± 0.20] PC Board
- Insulator Material available in PBT, PPS or PA9T
- 3 Amp Current Rating per contact
- Insulator / Contact Specifications and Part Number Coding See Pages 98-99
- P/N 04-0003-000 for In Between Contact Position Key See Page 142 (Sold Separately)
- Molded-in Key Available - Consult Factory



Micro Plastics Edgards



.100" [2.54 mm] Contact Centers, .431" [10.95 mm] Insulator Height, Card Extender

PART NUMBER CODING

MPSL - 0 100 - 10 - D SE - 1 K

PLATING - RoHS Compliant

All Platings are Lead Free and have .000050" Nickel Underplate

Contact Surface Termination

*MPSL = .000010" Gold .000100" Pure Tin Matte

*MPL = .000100" Overall Pure Tin, Matte

MP = .000010" Overall Gold

*** Requires 'K' Modification Code**

Other Plating and thicknesses available upon request

INSULATOR MATERIAL**

0 = PBT

CONTACT CENTERS

100 = .100" [2.54mm]

NUMBER OF POSITIONS

Contacts Per Row (See Position Chart Below)

PLATING MODIFICATION CODE**

K = Required on Tin Plating

Omit for MP Plating (Overall Gold)

MOUNTING STYLE (See Opposite Page)

- 1 = .125" Clearance Hole
- 2 = #4-40 Threaded Insert
- 3 = Floating Bobbin
- 4 = No Mounting

TERMINATION TYPE (See Opposite Page)

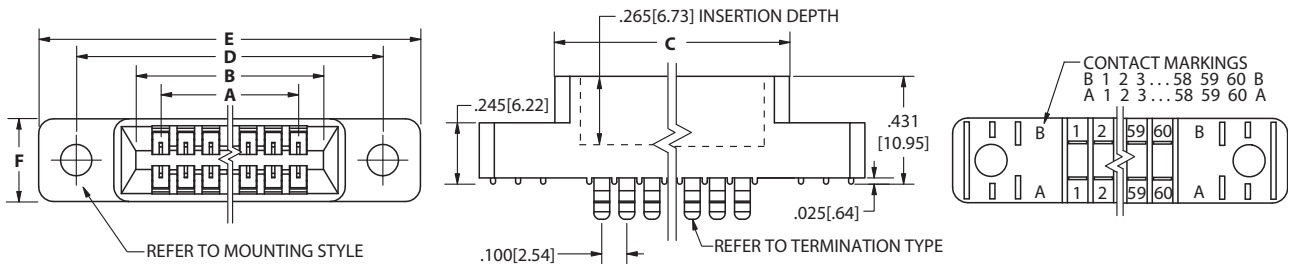
SE = Card Extender

READOUT

D = Dual

DIMENSIONS

Dimensions in [] are in millimeters, all others are in inches.



POSITIONS/ CONTACTS	INCHES						[MILLIMETERS]					
	A±.008	B±.008	C±.015	D±.010	E±.020	F±.005	A±0.20	B±0.20	C±0.38	D±0.25	E±0.51	F±0.13
05/10	0.400	0.600	0.775	1.075	1.375	0.330	10.16	15.24	19.69	27.31	34.93	8.38
06/12	0.500	0.700	0.875	1.175	1.475		12.70	17.78	22.23	29.85	37.47	
07/14	0.600	0.800	0.975	1.275	1.575		15.24	20.32	24.77	32.39	40.01	
08/16	0.700	0.900	1.075	1.375	1.675		17.78	22.86	27.31	34.93	42.55	
10/20	0.900	1.100	1.275	1.575	1.875		22.86	27.94	32.39	40.01	47.63	
12/24	1.100	1.300	1.475	1.775	2.075		27.94	33.02	37.47	45.09	52.71	
13/26	1.200	1.400	1.575	1.875	2.175		30.48	35.56	40.01	47.63	55.25	
15/30	1.400	1.600	1.775	2.075	2.375		35.56	40.64	45.09	52.71	60.33	
17/34	1.600	1.800	1.975	2.275	2.575		40.64	45.72	50.17	57.79	65.41	
18/36	1.700	1.900	2.075	2.375	2.675		43.18	48.26	52.71	60.33	67.95	
19/38	1.800	2.000	2.175	2.475	2.775		45.72	50.80	55.25	62.87	70.49	
20/40	1.900	2.100	2.275	2.575	2.875		48.26	53.34	57.79	65.41	73.03	
22/44	2.100	2.300	2.475	2.775	3.075		53.34	58.42	62.87	70.49	78.11	
25/50	2.400	2.600	2.775	3.075	3.375		60.96	66.04	70.49	78.11	85.73	
26/52	2.500	2.700	2.875	3.175	3.475		63.50	68.58	73.03	80.65	88.27	
28/56	2.700	2.900	3.075	3.375	3.675		68.58	73.66	78.11	85.73	93.35	
30/60	2.900	3.100	3.275	3.575	3.875		73.66	78.74	83.19	90.81	98.43	
31/62	3.000	3.200	3.375	3.675	3.975	76.20	81.28	85.73	93.35	100.97		
35/70	3.400	3.600	3.775	4.075	4.375	86.36	91.44	95.89	103.51	111.13		
36/72	3.500	3.700	3.875	4.175	4.475	88.90	93.98	98.43	106.05	113.67		
40/80	3.900	4.100	4.275	4.575	4.875	99.06	104.14	108.59	116.21	123.83		
43/86	4.200	4.400	4.575	4.875	5.175	106.68	111.76	116.21	123.83	131.45		
44/88	4.300	4.500	4.675	4.975	5.275	109.22	114.30	118.75	126.37	133.99		
49/98	4.800	5.000	5.175	5.475	5.775	121.92	127.00	131.45	139.07	146.69		
50/100	4.900	5.100	5.275	5.575	5.875	124.46	129.54	133.99	141.61	149.23		
60/120	5.900	6.100	6.275	6.575	6.875	149.86	154.94	159.39	167.01	174.63		
65/130	6.400	6.600	6.775	7.075	7.375	162.56	167.64	172.09	179.71	187.33		

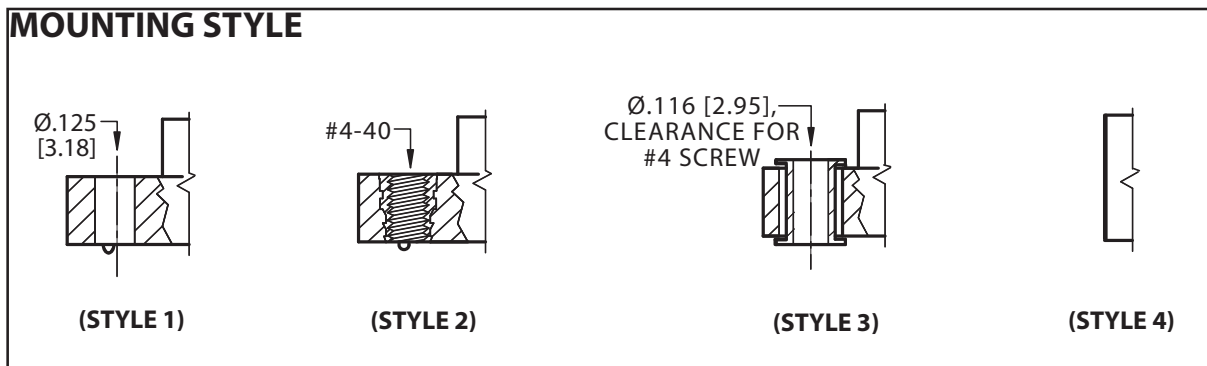
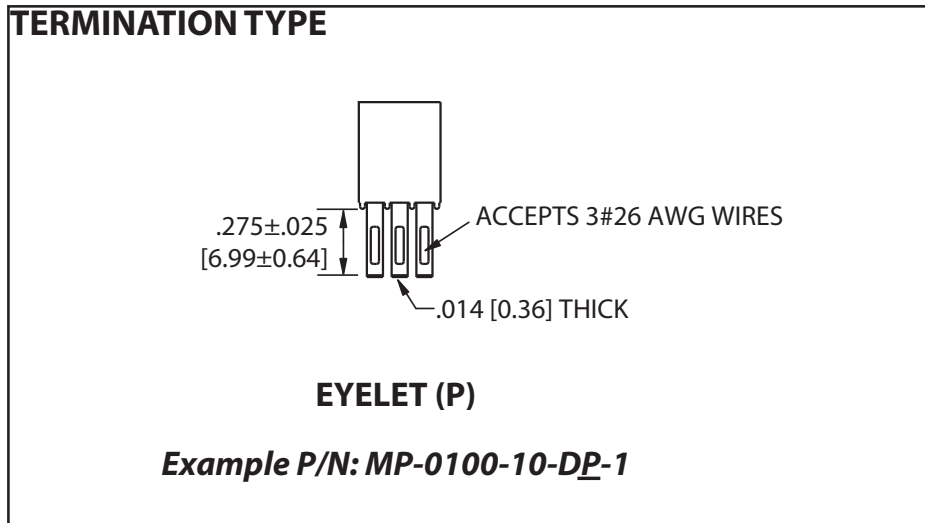
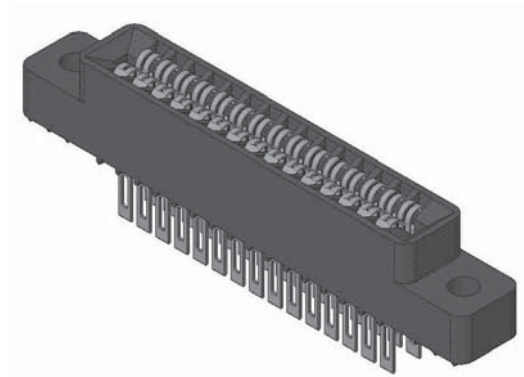
Micro Plastics Edgcards



.100" [2.54 mm] Contact Centers, .431" [10.95 mm] Insulator Height, Eyelet

SPECIFICATIONS

- Accommodates $.062" \pm .008"$ [1.57 ± 0.20] PC Board
- Insulator Material available in PBT, PPS or PA9T
- 3 Amp Current Rating per contact
- Insulator / Contact Specifications and Part Number Coding See Pages 98-99
- P/N 04-0003-000 for In Between Contact Position Key See Page 142 (Sold Separately)
- Molded-in Key Available - Consult Factory



Micro Plastics Edgards



PART NUMBER CODING

MPL - 0 100 - 10 - D P - 1 K

PLATING - RoHS Compliant

All Platings are Lead Free and have .000050" Nickel Underplate
 *MPL = .000100" Overall Pure Tin, Matte
 MP = .000010" Overall Gold
 * Requires 'K' Modification Code
 Other Plating and thicknesses available upon request

INSULATOR MATERIAL**

0 = PBT

CONTACT CENTERS

100 = .100" [2.54mm]

NUMBER OF POSITIONS

Contacts Per Row (See Position Chart Below)

PLATING MODIFICATION CODE**

K = Required on Tin Plating
 Omit for MP Plating (Overall Gold)

MOUNTING STYLE (See Opposite Page)

- 1 = .125" Clearance Hole
- 2 = #4-40 Threaded Insert
- 3 = Floating Bobbin
- 4 = No Mounting

TERMINATION TYPE (See Opposite Page)

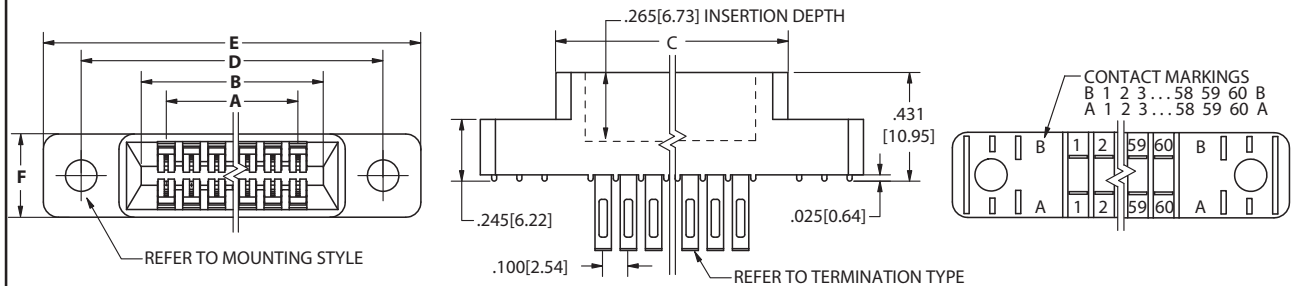
P = Pierced Eyelet, .014" Thick

READOUT

D = Dual

DIMENSIONS

Dimensions in [] are in millimeters, all others are in inches.



POSITIONS/ CONTACTS	INCHES						[MILLIMETERS]					
	A±.008	B±.008	C±.015	D±.010	E±.020	F±.005	A±0.20	B±0.20	C±0.38	D±0.25	E±0.51	F±0.13
05/10	0.400	0.600	0.775	1.075	1.375	0.330	10.16	15.24	19.69	27.31	34.93	8.38
06/12	0.500	0.700	0.875	1.175	1.475		12.70	17.78	22.23	29.85	37.47	
07/14	0.600	0.800	0.975	1.275	1.575		15.24	20.32	24.77	32.39	40.01	
08/16	0.700	0.900	1.075	1.375	1.675		17.78	22.86	27.31	34.93	42.55	
10/20	0.900	1.100	1.275	1.575	1.875		22.86	27.94	32.39	40.01	47.63	
12/24	1.100	1.300	1.475	1.775	2.075		27.94	33.02	37.47	45.09	52.71	
13/26	1.200	1.400	1.575	1.875	2.175		30.48	35.56	40.01	47.63	55.25	
15/30	1.400	1.600	1.775	2.075	2.375		35.56	40.64	45.09	52.71	60.33	
17/34	1.600	1.800	1.975	2.275	2.575		40.64	45.72	50.17	57.79	65.41	
18/36	1.700	1.900	2.075	2.375	2.675		43.18	48.26	52.71	60.33	67.95	
19/38	1.800	2.000	2.175	2.475	2.775		45.72	50.80	55.25	62.87	70.49	
20/40	1.900	2.100	2.275	2.575	2.875		48.26	53.34	57.79	65.41	73.03	
22/44	2.100	2.300	2.475	2.775	3.075		53.34	58.42	62.87	70.49	78.11	
25/50	2.400	2.600	2.775	3.075	3.375		60.96	66.04	70.49	78.11	85.73	
26/52	2.500	2.700	2.875	3.175	3.475		63.50	68.58	73.03	80.65	88.27	
28/56	2.700	2.900	3.075	3.375	3.675		68.58	73.66	78.11	85.73	93.35	
30/60	2.900	3.100	3.275	3.575	3.875		73.66	78.74	83.19	90.81	98.43	
31/62	3.000	3.200	3.375	3.675	3.975	76.20	81.28	85.73	93.35	100.97		
35/70	3.400	3.600	3.775	4.075	4.375	86.36	91.44	95.89	103.51	111.13		
36/72	3.500	3.700	3.875	4.175	4.475	88.90	93.98	98.43	106.05	113.67		
40/80	3.900	4.100	4.275	4.575	4.875	99.06	104.14	108.59	116.21	123.83		
43/86	4.200	4.400	4.575	4.875	5.175	106.68	111.76	116.21	123.83	131.45		
44/88	4.300	4.500	4.675	4.975	5.275	109.22	114.30	118.75	126.37	133.99		
49/98	4.800	5.000	5.175	5.475	5.775	121.92	127.00	131.45	139.07	146.69		
50/100	4.900	5.100	5.275	5.575	5.875	124.46	129.54	133.99	141.61	149.23		
60/120	5.900	6.100	6.275	6.575	6.875	149.86	154.94	159.39	167.01	174.63		
65/130	6.400	6.600	6.775	7.075	7.375	162.56	167.64	172.09	179.71	187.33		

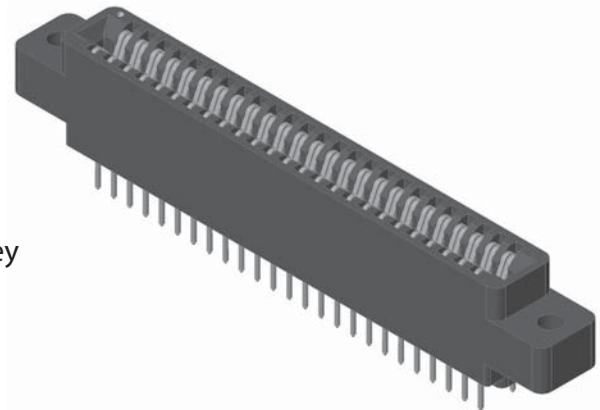
Micro Plastics Edgecards



**.100" [2.54 mm] Contact Centers, .610" [15.49 mm] Insulator Height,
Wire Wrap & Dip Solder**

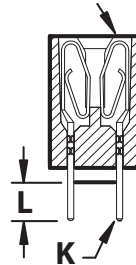
SPECIFICATIONS

- Accommodates .062" ± .008" [1.57 ± 0.20] PC Board
- Insulator Material available in PBT, PPS or PA9T
- 3 Amp Current Rating per contact
- Insulator / Contact Specifications and Part Number Coding See Pages 98-99
- P/N 04-0004-000 for In Between Contact Position Key See Page 142 (Sold Separately)
- Molded-in Key Available - Consult Factory



TERMINATION TYPE

LOOP BELLOWS

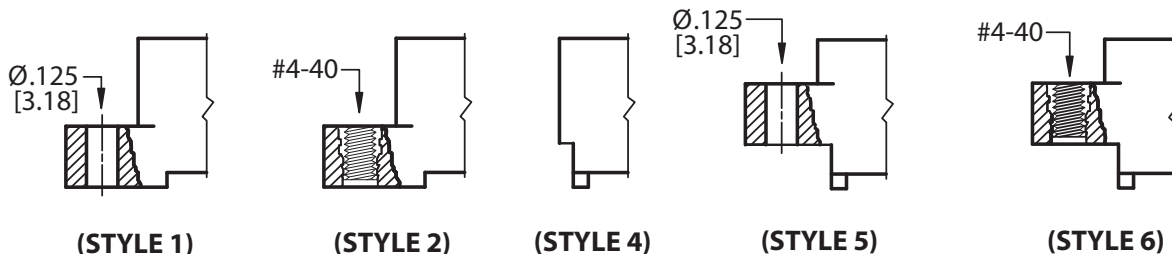


LOOP BELLOWS

TERMINATION CODE	MODIFICATION CODE	TYPE	POST CROSS SECTION K	POST LENGTH L	FITS MIN. HOLE SIZE	EXAMPLE PART NUMBER
R	H	Dip Solder	.026 [0.66] Round	.190 [4.83]	.030 [0.76]	<i>MPSL-0100-10-DR-1HK</i>
R	H(.165)	Dip Solder	.026 [0.66] Round	.165 [4.19]	.030 [0.76]	<i>MPSL-0100-10-DR-1HK(.165)</i>
W	H	Dip Solder	.025 [0.64] Square	.190 [4.83]	.040 [1.02]	<i>MPSL-0100-10-DW-1HK</i>
W	OMIT	Wire Wrap	.025 [0.64] Square	.560 [14.20]	.040 [1.02]	<i>MPSL-0100-10-DW-1K</i>

Micro Plastics Edgards

MOUNTING STYLE





.100" [2.54 mm] Contact Centers, .610" [15.49 mm] Insulator Height, Wire Wrap & Dip Solder

PART NUMBER CODING

MPSL - 0 100 - 10 - D W - 1 H K

PLATING - RoHS Compliant
All Platings are Lead Free and have .000050" Nickel Underplate

Contact Surface Termination

*MPSL = .000010" Gold .000100" Pure Tin, Matte
*MPL = .000100" Overall Pure Tin, Matte
MP = .000010" Overall Gold

***Requires 'K' Modification Code**

INSULATOR MATERIAL**
0 = PBT

CONTACT CENTERS
100 = .100" [2.54mm]

NUMBER OF POSITIONS
Contacts Per Row (See Position Chart Below)

READOUT
D = Dual

PLATING MODIFICATION CODE**
K = Required on MPSL or MPL Plating
Omit for MP Plating (Overall Gold)

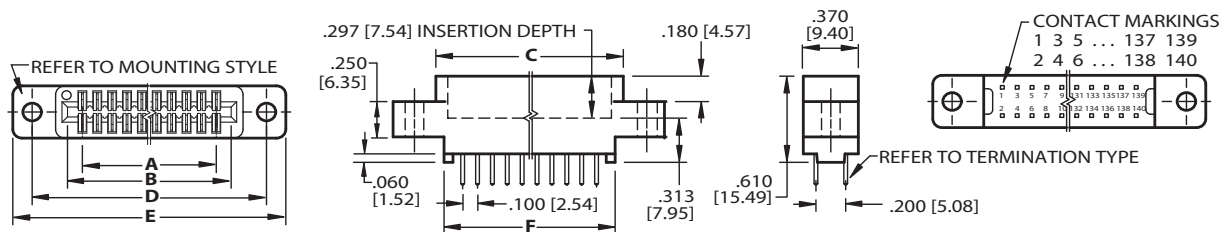
MODIFICATION CODE**
(See Opposite Page)
H = Dip Solder .190[4.83] Tail Length
(.026 Round or .025 Square)
H(.165) = Dip Solder .165[4.19] Tail Length
(.026 Round Only)

MOUNTING STYLE (See Opposite Page)
1 = .125" Clearance Hole
2 = #4-40 Threaded Insert
4 = No Mounting
5 = Raised, .125" Clearance Hole
6 = Raised, #4-40 Threaded Insert

TERMINATION TYPE (See Opposite Page)
LOOP BELLOWS
R = .026[.66mm] Round
W = .025[.64mm] Square

DIMENSIONS

Dimensions in [] are in millimeters, all others are in inches.



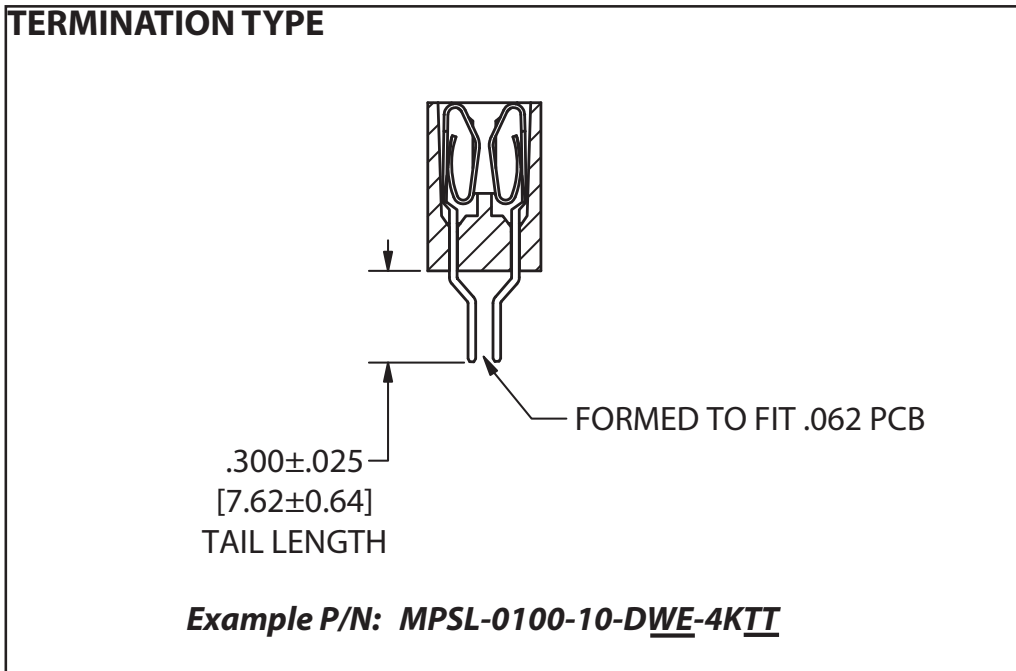
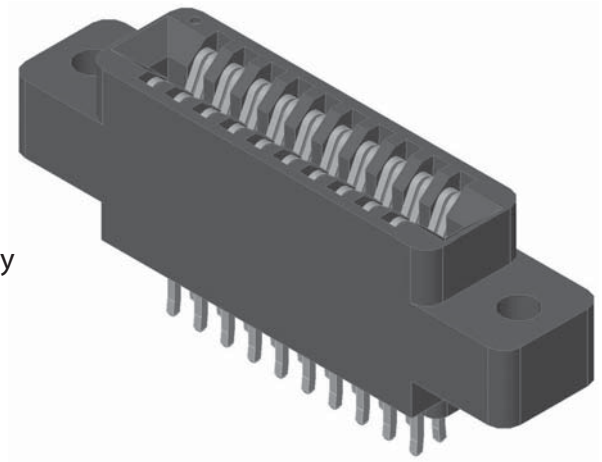
POSITIONS/ CONTACTS	INCHES						[MILLIMETERS]					
	A±.008	B±.008	C±.015	D±.010	E±.020	F±.015	A±0.20	B±0.20	C±0.38	D±0.25	E±0.51	F±0.38
06/12	0.500	0.700	0.860	1.175	1.435	0.750	12.70	17.78	21.84	29.85	36.45	19.05
08/16	0.700	0.900	1.060	1.375	1.635	0.950	17.78	22.86	26.92	34.93	41.53	24.13
10/20	0.900	1.100	1.260	1.575	1.835	1.150	22.86	27.94	32.00	40.01	46.61	29.21
12/24	1.100	1.300	1.460	1.775	2.035	1.350	27.94	33.02	37.08	45.09	51.69	34.29
13/26	1.200	1.400	1.560	1.875	2.135	1.450	30.48	35.56	39.62	47.63	54.23	36.83
15/30	1.400	1.600	1.760	2.075	2.335	1.650	35.56	40.64	44.70	52.71	59.31	41.91
17/34	1.600	1.800	1.960	2.275	2.535	1.850	40.64	45.72	49.78	57.79	64.39	46.99
18/36	1.700	1.900	2.060	2.375	2.635	1.950	43.18	48.26	52.32	60.33	66.93	49.53
20/40	1.900	2.100	2.260	2.575	2.835	2.150	48.26	53.34	57.40	65.41	72.01	54.61
22/44	2.100	2.300	2.460	2.775	3.035	2.350	53.34	58.42	62.48	70.49	77.09	59.69
24/48	2.300	2.500	2.660	2.975	3.235	2.550	58.42	63.50	67.56	75.57	82.17	64.77
25/50	2.400	2.600	2.760	3.075	3.335	2.650	60.96	66.04	70.10	78.11	84.71	67.31
28/56	2.700	2.900	3.060	3.375	3.635	2.950	68.58	73.66	77.72	85.73	92.33	74.93
30/60	2.900	3.100	3.260	3.575	3.835	3.150	73.66	78.74	82.80	90.81	97.41	80.01
31/62	3.000	3.200	3.360	3.675	3.935	3.250	76.20	81.28	85.34	93.35	99.95	82.55
35/70	3.400	3.600	3.760	4.075	4.335	3.650	86.36	91.44	95.50	103.51	110.11	92.71
36/72	3.500	3.700	3.860	4.175	4.435	3.750	88.90	93.98	98.04	106.05	112.65	95.25
40/80	3.900	4.100	4.260	4.575	4.835	4.150	99.06	104.14	108.20	116.21	122.81	105.41
43/86	4.200	4.400	4.560	4.875	5.135	4.450	106.68	111.76	115.82	123.83	130.43	113.03
44/88	4.300	4.500	4.660	4.975	5.235	4.550	109.22	114.30	118.36	126.37	132.97	115.57
50/100	4.900	5.100	5.260	5.575	5.835	5.150	124.46	129.54	133.60	141.61	148.21	130.81
55/110	5.400	5.600	5.760	6.075	6.335	5.650	137.16	142.24	146.30	154.31	160.91	143.51
60/120	5.900	6.100	6.260	6.575	6.835	6.150	149.86	154.94	159.00	167.01	173.61	156.21
61/122	6.000	6.200	6.360	6.675	6.935	6.250	152.40	157.48	161.54	169.55	176.15	158.75
65/130	6.400	6.600	6.760	7.075	7.335	6.650	162.56	167.64	171.70	179.71	186.31	168.91
70/140	6.900	7.100	7.260	7.575	7.835	7.150	175.26	180.34	184.40	192.41	199.01	181.61



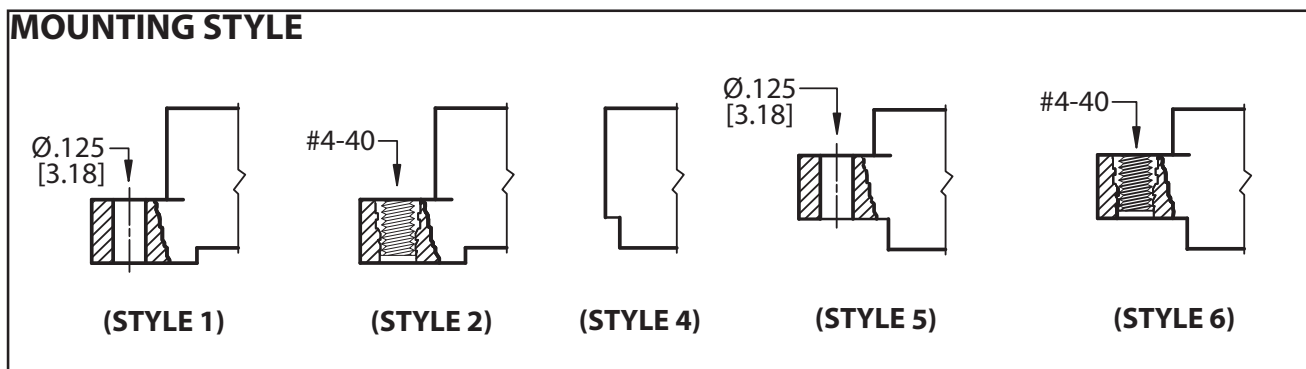
**.100" [2.54 mm] Contact Centers, .550" [13.90 mm] Insulator Height,
.025" [.64 mm] Square Card Extender**

SPECIFICATIONS

- Accommodates $.062" \pm .008"$ [1.57 ± 0.20] PC Board
- Insulator Material available in PBT, PPS or PA9T
- 3 Amp Current Rating per contact
- Insulator / Contact Specifications and Part Number Coding See Pages 98-99
- P/N 04-0004-000 for In Between Contact Position Key See Page 142 (Sold Separately)
- Molded-in Key Available - Consult Factory



Micro Plastics Edgards





.100" [2.54 mm] Contact Centers, .550" [13.90 mm] Insulator Height, .025" [.64 mm] Square Card Extender

PART NUMBER CODING

MPSL - 0 100 - 10 - D WE - 4 K TT

PLATING - RoHS Compliant
All Platings are Lead Free and have .000050" Nickel Underplate

Contact Surface	Termination
*MPSL = .000010" Gold	.000100" Pure Tin, Matte
*MPL = .000100" Overall Pure Tin, Matte	
MP = .000010" Overall Gold	

*Requires 'K' Modification Code

INSULATOR MATERIAL **
0 = PBT

CONTACT CENTERS
100 = .100" [2.54mm]

NUMBER OF POSITIONS
Contacts Per Row (See Position Chart Below)

READOUT
D = Dual

MODIFICATION CODE**
TT = No Standoffs

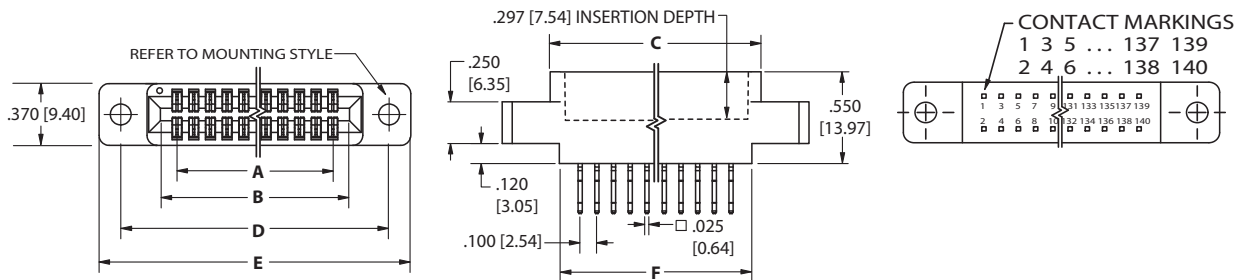
PLATING MODIFICATION CODE**
K = Required on MPSL or MPL Plating
Omit for MP Plating (Overall Gold)

MOUNTING STYLE (See Opposite Page)
1 = .125" Clearance Hole
2 = #4-40 Threaded Insert
4 = No Mounting
5 = Raised, .125" Clearance Hole
6 = Raised, #4-40 Threaded Insert

TERMINATION TYPE (See Opposite Page)
WE = Card Extender

DIMENSIONS

Dimensions in [] are in millimeters, all others are in inches.



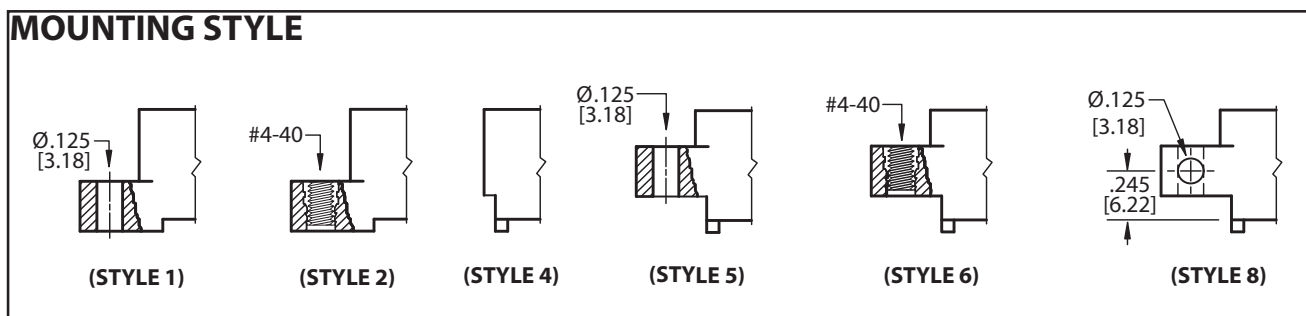
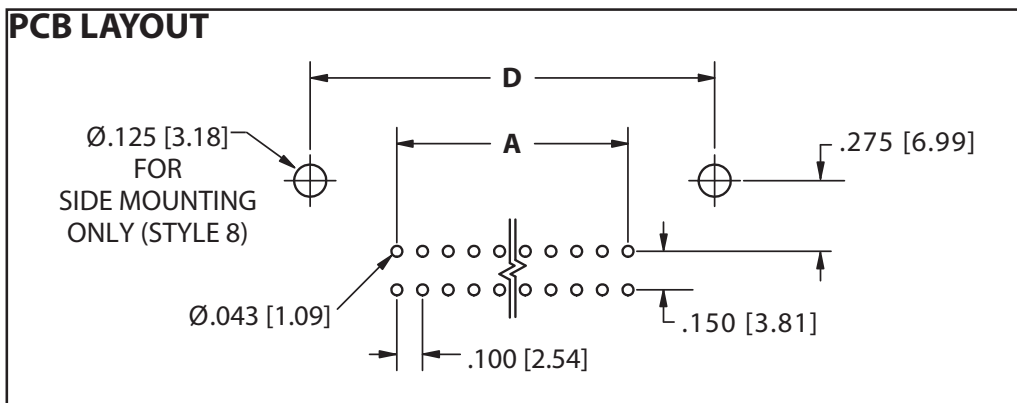
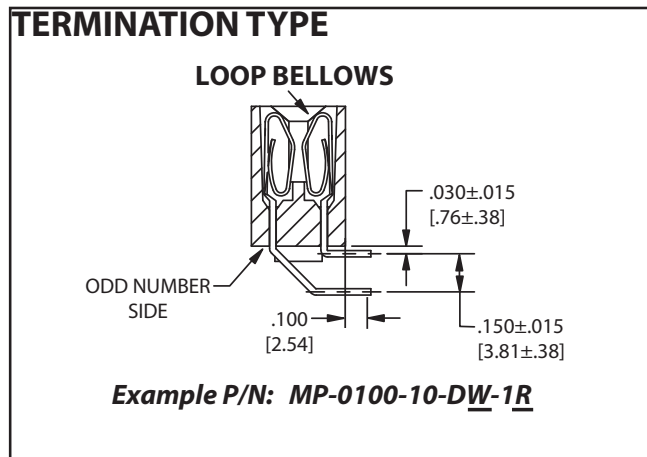
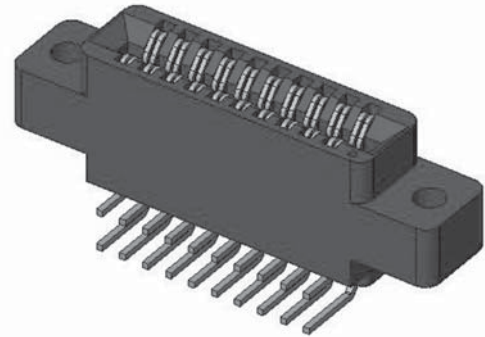
POSITIONS/ CONTACTS	INCHES						[MILLIMETERS]					
	A±.008	B±.008	C±.015	D±.010	E±.020	F±.015	A±0.20	B±0.20	C±0.38	D±0.25	E±0.51	F±0.38
06/12	0.500	0.700	0.860	1.175	1.435	0.750	12.70	17.78	21.84	29.85	36.45	19.05
08/16	0.700	0.900	1.060	1.375	1.635	0.950	17.78	22.86	26.92	34.93	41.53	24.13
10/20	0.900	1.100	1.260	1.575	1.835	1.150	22.86	27.94	32.00	40.01	46.61	29.21
12/24	1.100	1.300	1.460	1.775	2.035	1.350	27.94	33.02	37.08	45.09	51.69	34.29
13/26	1.200	1.400	1.560	1.875	2.135	1.450	30.48	35.56	39.62	47.63	54.23	36.83
15/30	1.400	1.600	1.760	2.075	2.335	1.650	35.56	40.64	44.70	52.71	59.31	41.91
17/34	1.600	1.800	1.960	2.275	2.535	1.850	40.64	45.72	49.78	57.79	64.39	46.99
18/36	1.700	1.900	2.060	2.375	2.635	1.950	43.18	48.26	52.32	60.33	66.93	49.53
20/40	1.900	2.100	2.260	2.575	2.835	2.150	48.26	53.34	57.40	65.41	72.01	54.61
22/44	2.100	2.300	2.460	2.775	3.035	2.350	53.34	58.42	62.48	70.49	77.09	59.69
24/48	2.300	2.500	2.660	2.975	3.235	2.550	58.42	63.50	67.56	75.57	82.17	64.77
25/50	2.400	2.600	2.760	3.075	3.335	2.650	60.96	66.04	70.10	78.11	84.71	67.31
28/56	2.700	2.900	3.060	3.375	3.635	2.950	68.58	73.66	77.72	85.73	92.33	74.93
30/60	2.900	3.100	3.260	3.575	3.835	3.150	73.66	78.74	82.80	90.81	97.41	80.01
31/62	3.000	3.200	3.360	3.675	3.935	3.250	76.20	81.28	85.34	93.35	99.95	82.55
35/70	3.400	3.600	3.760	4.075	4.335	3.650	86.36	91.44	95.50	103.51	110.11	92.71
36/72	3.500	3.700	3.860	4.175	4.435	3.750	88.90	93.98	98.04	106.05	112.65	95.25
40/80	3.900	4.100	4.260	4.575	4.835	4.150	99.06	104.14	108.20	116.21	122.81	105.41
43/86	4.200	4.400	4.560	4.875	5.135	4.450	106.68	111.76	115.82	123.83	130.43	113.03
44/88	4.300	4.500	4.660	4.975	5.235	4.550	109.22	114.30	118.36	126.37	132.97	115.57
50/100	4.900	5.100	5.260	5.575	5.835	5.150	124.46	129.54	133.60	141.61	148.21	130.81
55/110	5.400	5.600	5.760	6.075	6.335	5.650	137.16	142.24	146.30	154.31	160.91	143.51
60/120	5.900	6.100	6.260	6.575	6.835	6.150	149.86	154.94	159.00	167.01	173.61	156.21
61/122	6.000	6.200	6.360	6.675	6.935	6.250	152.40	157.48	161.54	169.55	176.15	158.75
65/130	6.400	6.600	6.760	7.075	7.335	6.650	162.56	167.64	171.70	179.71	186.31	168.91
70/140	6.900	7.100	7.260	7.575	7.835	7.150	175.26	180.34	184.40	192.41	199.01	181.61



**.100" [2.54 mm] Contact Centers, .610" [15.49 mm] Insulator Height,
Right Angle**

SPECIFICATIONS

- Accommodates $.062" \pm .008"$ [1.57 ± 0.20] PC Board
- Insulator Material available in PBT, PPS or PA9T
- 3 Amp Current Rating per contact
- Insulator / Contact Specifications and Part Number Coding See Pages 98-99
- P/N 04-0004-000 for In Between Contact Position Key See Page 142 (Sold Separately)
- Molded-in Key Available - Consult Factory



.100" [2.54 mm] Contact Centers, .610" [15.49 mm] Insulator Height, Right Angle



PART NUMBER CODING

MPSL - 0 100 - 10 - D W - 1 K R

PLATING - RoHS Compliant

All Platings are Lead Free and have .000050" Nickel Underplate

- | | |
|---|--------------------------|
| Contact Surface | Termination |
| *MPSL = .000010" Gold | .000100" Pure Tin, Matte |
| *MPL = .000100" Overall Pure Tin, Matte | |
| MP = .000010" Overall Gold | |
- *Requires 'K' Modification Code

INSULATOR MATERIAL**

0 = PBT

CONTACT CENTERS

100 = .100" [2.54mm]

NUMBER OF POSITIONS

Contacts Per Row (See Position Chart Below)

READOUT

D = Dual

MODIFICATION CODE**
R = Right Angle

PLATING MODIFICATION CODE**
K = Required on MPSL or MPL Plating
Omit for MP Plating (Overall Gold)

MOUNTING STYLE (See Opposite Page)

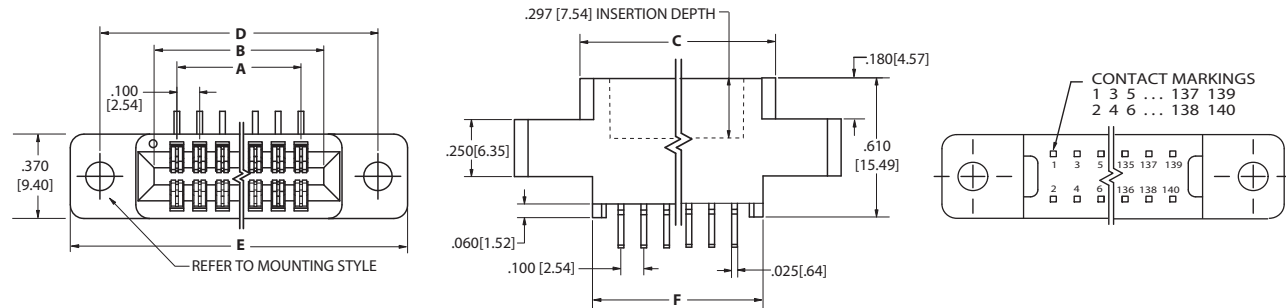
- 1 = .125" Clearance Hole
- 2 = #4-40 Threaded Insert
- 4 = No Mounting
- 5 = Raised, .125" Clearance Hole
- 6 = Raised, #4-40 Threaded Insert
- 8 = Raised, Side Mounting, .125" Clearance Hole

TERMINATION TYPE (See Opposite Page)

LOOP BELLOWS
W = .025 [.64] Square

DIMENSIONS

Dimensions in [] are in millimeters, all others are in inches.



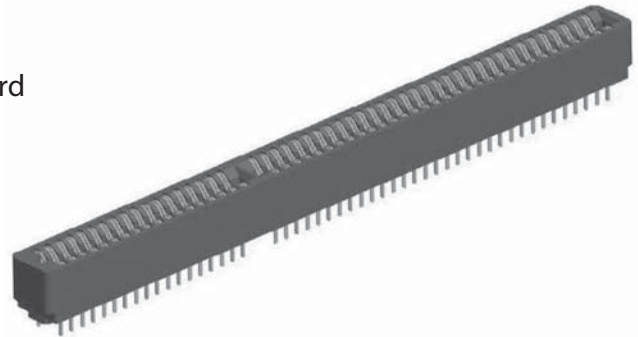
POSITIONS/ CONTACTS	INCHES						[MILLIMETERS]					
	A±.008	B±.008	C±.015	D±.010	E±.020	F±.015	A±0.20	B±0.20	C±0.38	D±0.25	E±0.51	F±0.38
06/12	0.500	0.700	0.860	1.175	1.435	0.750	12.70	17.78	21.84	29.85	36.45	19.05
08/16	0.700	0.900	1.060	1.375	1.635	0.950	17.78	22.86	26.92	34.93	41.53	24.13
10/20	0.900	1.100	1.260	1.575	1.835	1.150	22.86	27.94	32.00	40.01	46.61	29.21
12/24	1.100	1.300	1.460	1.775	2.035	1.350	27.94	33.02	37.08	45.09	51.69	34.29
13/26	1.200	1.400	1.560	1.875	2.135	1.450	30.48	35.56	39.62	47.63	54.23	36.83
15/30	1.400	1.600	1.760	2.075	2.335	1.650	35.56	40.64	44.70	52.71	59.31	41.91
17/34	1.600	1.800	1.960	2.275	2.535	1.850	40.64	45.72	49.78	57.79	64.39	46.99
18/36	1.700	1.900	2.060	2.375	2.635	1.950	43.18	48.26	52.32	60.33	66.93	49.53
20/40	1.900	2.100	2.260	2.575	2.835	2.150	48.26	53.34	57.40	65.41	72.01	54.61
22/44	2.100	2.300	2.460	2.775	3.035	2.350	53.34	58.42	62.48	70.49	77.09	59.69
24/48	2.300	2.500	2.660	2.975	3.235	2.550	58.42	63.50	67.56	75.57	82.17	64.77
25/50	2.400	2.600	2.760	3.075	3.335	2.650	60.96	66.04	70.10	78.11	84.71	67.31
28/56	2.700	2.900	3.060	3.375	3.635	2.950	68.58	73.66	77.72	85.73	92.33	74.93
30/60	2.900	3.100	3.260	3.575	3.835	3.150	73.66	78.74	82.80	90.81	97.41	80.01
31/62	3.000	3.200	3.360	3.675	3.935	3.250	76.20	81.28	85.34	93.35	99.95	82.55
35/70	3.400	3.600	3.760	4.075	4.335	3.650	86.36	91.44	95.50	103.51	110.11	92.71
36/72	3.500	3.700	3.860	4.175	4.435	3.750	88.90	93.98	98.04	106.05	112.65	95.25
40/80	3.900	4.100	4.260	4.575	4.835	4.150	99.06	104.14	108.20	116.21	122.81	105.41
43/86	4.200	4.400	4.560	4.875	5.135	4.450	106.68	111.76	115.82	123.83	130.43	113.03
44/88	4.300	4.500	4.660	4.975	5.235	4.550	109.22	114.30	118.36	126.37	132.97	115.57
50/100	4.900	5.100	5.260	5.575	5.835	5.150	124.46	129.54	133.60	141.61	148.21	130.81
55/110	5.400	5.600	5.760	6.075	6.335	5.650	137.16	142.24	146.30	154.31	160.91	143.51
60/120	5.900	6.100	6.260	6.575	6.835	6.150	149.86	154.94	159.00	167.01	173.61	156.21
61/122	6.000	6.200	6.360	6.675	6.935	6.250	152.40	157.48	161.54	169.55	176.15	158.75
65/130	6.400	6.600	6.760	7.075	7.335	6.650	162.56	167.64	171.70	179.71	186.31	168.91
70/140	6.900	7.100	7.260	7.575	7.835	7.150	175.26	180.34	184.40	192.41	199.01	181.61



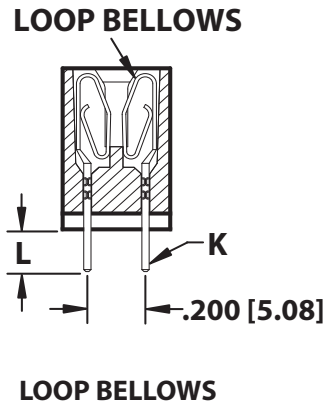
**.100" [2.54 mm] Contact Centers, .610" [15.49 mm] Insulator Height,
Special 18/31 with Barrier, Dip Solder/Wire Wrap, [ISA]**

SPECIFICATIONS

- ISA Connector
- Accommodates .062" ± .008" [1.57 ± 0.20] PC Board
- Insulator Material available in PBT, PPS or PA9T
- 3 Amp Current Rating per contact
- Insulator / Contact Specifications and Part Number Coding See Pages 98-99
- P/N 04-0004-000 for In Between Contact Position Key See Page 142 (Sold Separately)
- Molded-in Key Available - Consult Factory

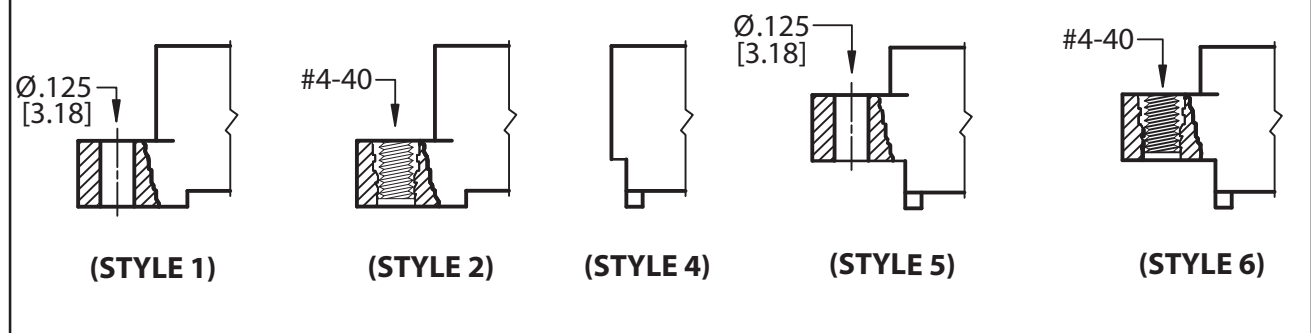


TERMINATION TYPE



TERMINATION CODE	MODIFICATION CODE	TYPE	POST CROSS SECTION K	POST LENGTH L	FITS MIN. HOLE SIZE	EXAMPLE PART NUMBER
R	H	Dip Solder	.026 [0.66] Round	.190 [4.83]	.030 [0.76]	<i>MPSL-0100-18/31-DR-1HK</i>
R	H(.165)	Dip Solder	.026 [0.66] Round	.165 [4.19]	.030 [0.76]	<i>MPSL-0100-18/31-DR-1HK(.165)</i>
W	H	Dip Solder	.025 [0.64] Square	.190 [4.83]	.040 [1.02]	<i>MPSL-0100-18/31-DW-1HK</i>
W	OMIT	Wire Wrap	.025 [0.64] Square	.560 [14.20]	.040 [1.02]	<i>MPSL-0100-18/31-DW-1K</i>

MOUNTING STYLE



Micro Plastics Edgards



**.100" [2.54 mm] Contact Centers, .610" [15.49 mm] Insulator Height,
Special 18/31 with Barrier, Dip Solder/Wire Wrap, [ISA]**

PART NUMBER CODING

MPSL - 0 100 - 18/31 - D W - 1 H K

PLATING - RoHS Compliant

All Platings are Lead Free and have .000050" Nickel Underplate

Contact Surface Termination

*MPSL = .000010" Gold .000100" Pure Tin, Matte

*MPL = .000100" Overall Pure Tin, Matte

MP = .000010" Overall Gold

*Requires 'K' Modification Code

INSULATOR MATERIAL**

0 = PBT

CONTACT CENTERS

100 = .100" [2.54mm]

NUMBER OF POSITIONS

18/31 Per Row

READOUT

D = Dual

PLATING MODIFICATION CODE**

K = Required on MPSL or MPL Plating

Omit for MP Plating (Overall Gold)

MODIFICATION CODE**

(See Opposite Page)

H = Dip Solder .190[4.83] Tail Length

(.026 Round or .025 Square)

H(.165) = Dip Solder .165[4.19] Tail Length

(.026 Round Only)

MOUNTING STYLE (See Opposite Page)

1 = .125" Clearance Hole

2 = #4-40 Threaded Insert

4 = No Mounting

5 = Raised, .125" Clearance Hole

6 = Raised, #4-40 Threaded Insert

TERMINATION TYPE (See Opposite Page)

LOOP BELLOWS

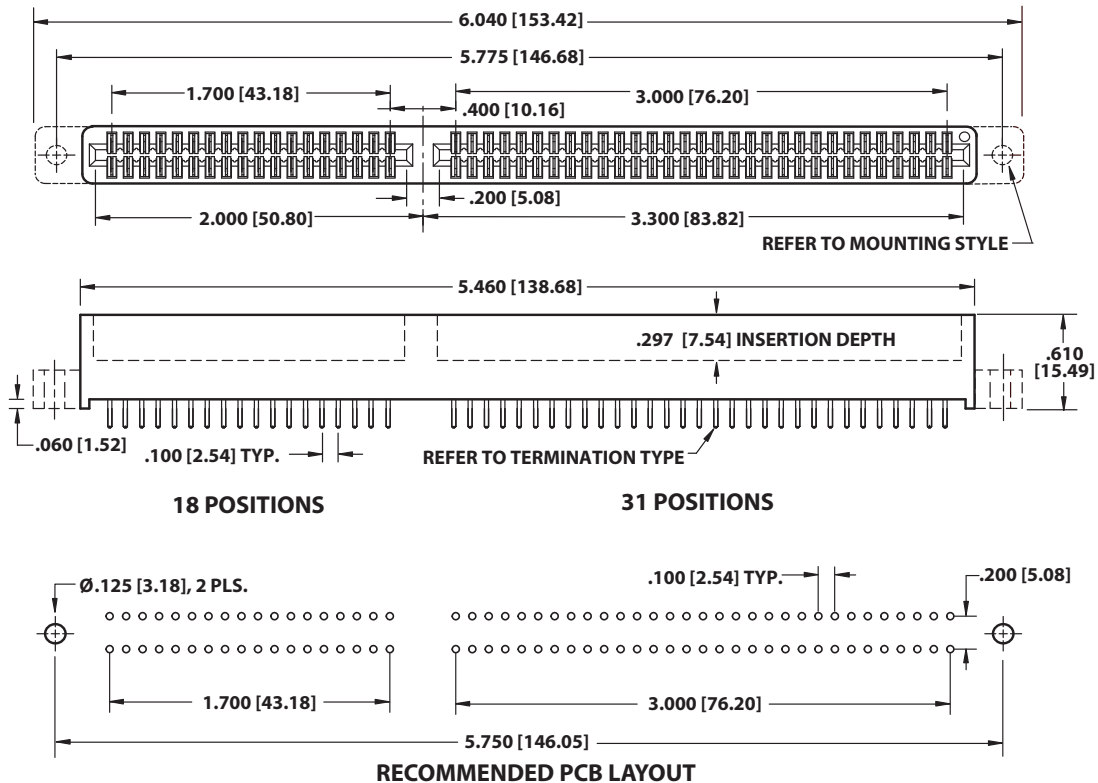
R = .026[.66mm] Round

W = .025[.64mm] Square

CONSULT FACTORY FOR RIGHT ANGLE VERSION

DIMENSIONS

Dimensions in [] are in millimeters, all others are in inches.

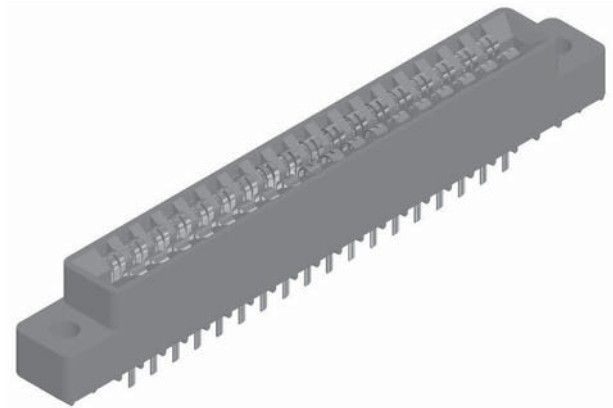




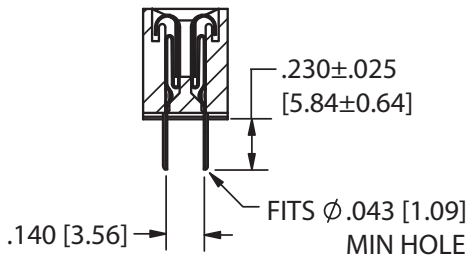
**.125" [3.18 mm] Contact Centers, .431" [10.95 mm] Insulator Height,
Dip Solder**

SPECIFICATIONS

- Accommodates $.062" \pm .008"$ [1.57 ± 0.20] PC Board
- Insulator Material available in PBT, PPS or PA9T
- 3 Amp Current Rating per contact
- Insulator / Contact Specifications and Part Number Coding See Page Pages 98-99
- Row Spacing Available in $.140"$ or $.200"$ (Use Modification Code 'X9' for $.200"$)
- P/N 04-0003-000 for In Between Contact Position Key See Page 142 (Sold Separately)
- Molded-in Key Available - Consult Factory

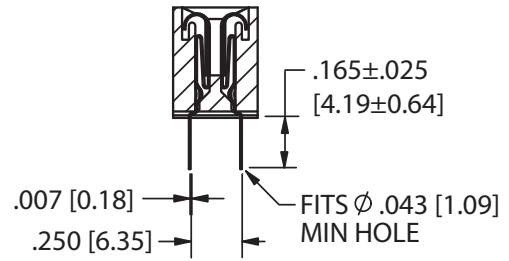


TERMINATION TYPE



**DIP SOLDER (S)
.140" ROW SPACING**

Example P/N: MPSL-0125-10-DS-1K

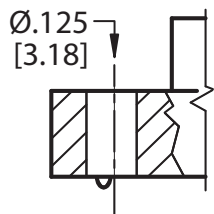


**DIP SOLDER (S)
.250" ROW SPACING
REQUIRES 'X9' MODIFICATION CODE**

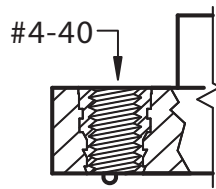
Example P/N: MPSL-0125-10-DS-1KX9

Micro Plastics Edgards

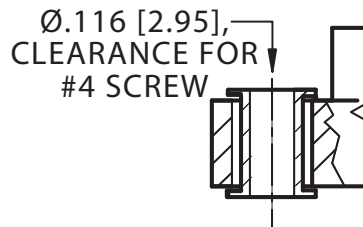
MOUNTING STYLE



(STYLE 1)



(STYLE 2)



(STYLE 3)



(STYLE 4)



.125" [3.18 mm] Contact Centers, .431" [10.95 mm] Insulator Height, Dip Solder

PART NUMBER CODING

MPL - 0 125 - 10 - D S - 1 K

PLATING - RoHS Compliant

All Platings are Lead Free and have .000050" Nickel Underplate

Contact Surface Termination

*MPSL = .000010" Gold .000100" Pure Tin, Matte

*MPL = .000100" Overall Pure Tin, Matte

MP = .000010" Overall Gold

***Requires 'K' Modification Code**

INSULATOR MATERIAL**

0 = PBT

CONTACT CENTERS

125 = .125" [3.18mm]

NUMBER OF POSITIONS

Contacts Per Row (See Position Chart Below)

MODIFICATION CODE**

K = Required on MPSL or MPL Plating
Omit for MP Plating (Overall Gold)

X9 = .250" Row Spacing

MOUNTING STYLE (See Opposite Page)

1 = .125" Clearance Hole
2 = #4-40 Threaded Insert
3 = Floating Bobbin
4 = No Mounting

TERMINATION TYPE (See Opposite Page)

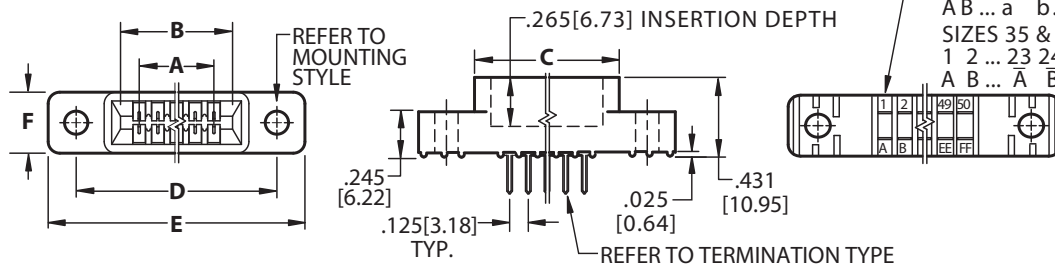
S = Dip Solder

READOUT

D = Dual

DIMENSIONS

Dimensions in [] are in millimeters, all others are in inches.



POSITIONS/ CONTACTS	INCHES						MILLIMETERS						
	A±.008	B±.008	C±.015	D±.010	E±.020	F±.005	A±0.20	B±0.20	C±0.38	D±0.25	E±0.51	F±0.13	
06/12	0.625	0.875	1.035	1.295	1.575	0.330	15.88	22.23	26.29	32.89	40.01	8.38	
10/20	1.125	1.375	1.535	1.795	2.075		28.58	34.93	38.99	45.59	52.71		
14/28	1.625	1.875	2.035	2.295	2.575		41.28	47.63	51.69	58.29	65.41		
15/30	1.750	2.000	2.160	2.420	2.700		44.45	50.80	54.86	61.47	68.58		
18/36	2.125	2.375	2.535	2.795	3.075		53.98	60.33	64.39	70.99	78.11		
22/44	2.625	2.875	3.035	3.295	3.575		66.68	73.03	77.09	83.69	90.81		
28/56	3.375	3.625	3.785	4.045	4.325		85.73	92.08	96.14	102.74	109.86		
30/60	3.625	3.875	4.035	4.295	4.575		92.08	98.43	102.49	109.09	116.21		
31/62	3.750	4.000	4.160	4.420	4.700		95.25	101.60	105.66	112.27	119.38		
35/70	4.250	4.500	4.660	4.920	5.200		107.95	114.30	118.36	124.97	132.08		
36/72	4.375	4.625	4.785	5.045	5.325		111.13	117.48	121.54	128.14	135.26		
37/74	4.500	4.750	4.910	5.170	5.450		114.30	120.65	124.71	131.32	138.43		
40/80	4.875	5.125	5.285	5.545	5.825		123.83	130.18	134.24	140.84	147.96		9.40
43/86	5.250	5.500	5.660	5.920	6.200		133.35	139.70	143.76	150.37	157.48		
44/88	5.375	5.625	5.785	6.045	6.325	136.53	142.88	146.94	153.54	160.66			
49/98	6.000	6.250	6.410	6.670	6.950	152.40	158.75	162.81	169.42	176.53			
50/100	6.125	6.375	6.535	6.795	7.075	155.58	161.93	165.99	172.59	179.71			

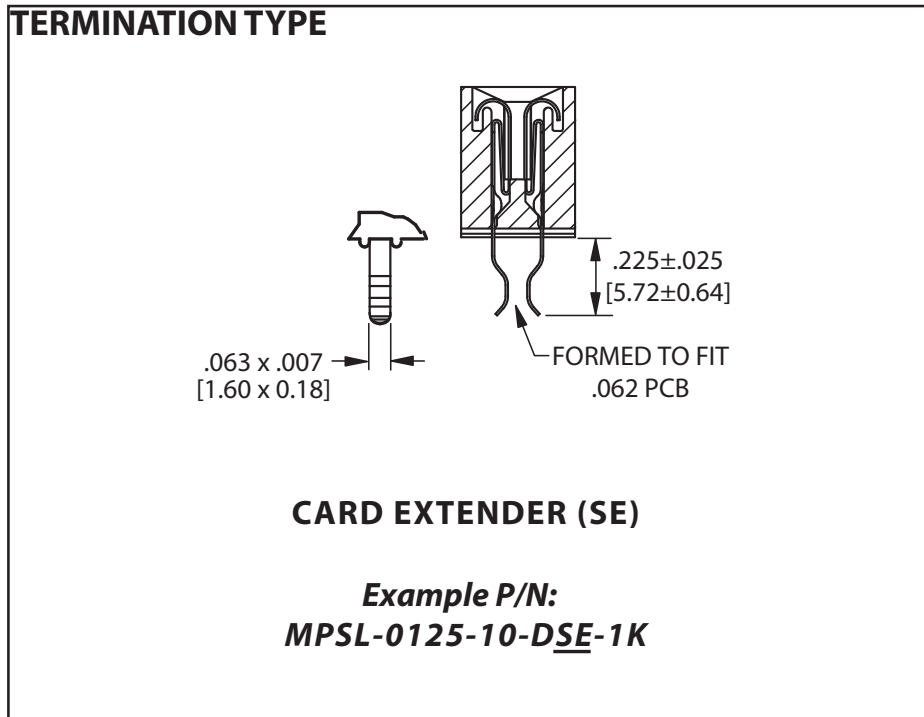
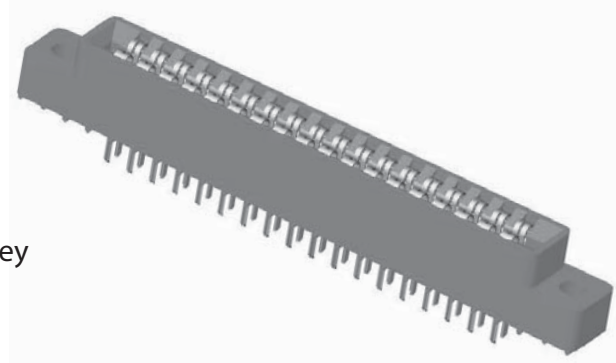
Micro Plastics Edgecards



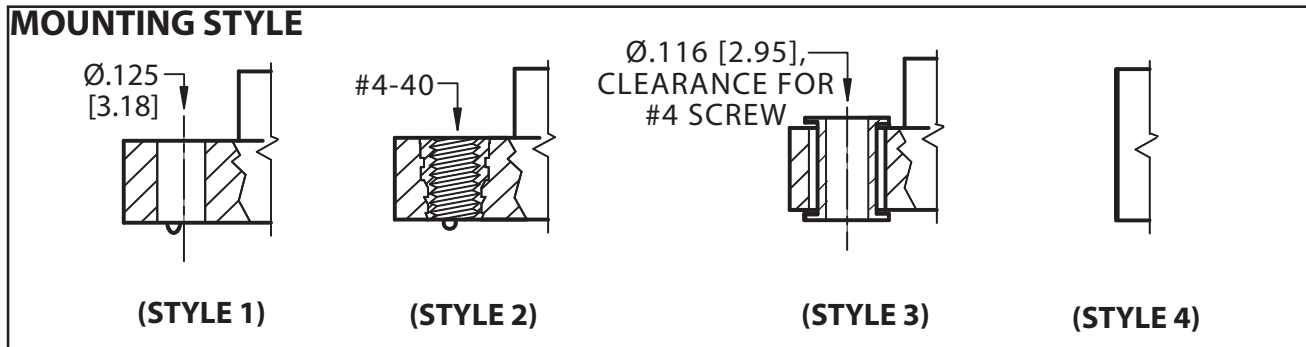
**.125" [3.18 mm] Contact Centers, .431" [10.95 mm] Insulator Height,
Card Extender**

SPECIFICATIONS

- Accommodates $.062" \pm .008"$ [1.57 ± 0.20] PC Board
- Insulator Material available in PBT, PPS or PA9T
- 3 Amp Current Rating per contact
- Insulator / Contact Specifications and Part Number Coding See Pages 98-99
- P/N 04-0003-000 for In Between Contact Position Key See Page 142 (Sold Separately)
- Molded-in Key Available - Consult Factory



Micro Plastics Edgards





PART NUMBER CODING

MPSL - 0 125 - 10 - D SE - 1 K

PLATING - RoHS Compliant

All Platings are Lead Free and have .000050" Nickel Underplate

Contact Surface Termination

*MPSL = .000010" Gold .000100" Pure Tin Matte

*MPL = .000100" Overall Pure Tin, Matte

MP = .000010" Overall Gold

* Requires 'K' Modification Code

Other Plating and thicknesses available upon request

INSULATOR MATERIAL**

0 = PBT

CONTACT CENTERS

125 = .125" [3.18mm]

NUMBER OF POSITIONS

Contacts Per Row (See Position Chart Below)

PLATING MODIFICATION CODE**

K = Required on MPSL or MPL Plating
Omit for MP Plating (Overall Gold)

MOUNTING STYLE (See Opposite Page)

- 1 = .125" Clearance Hole
- 2 = #4-40 Threaded Insert
- 3 = Floating Bobbin
- 4 = No Mounting

TERMINATION TYPE (See Opposite Page)

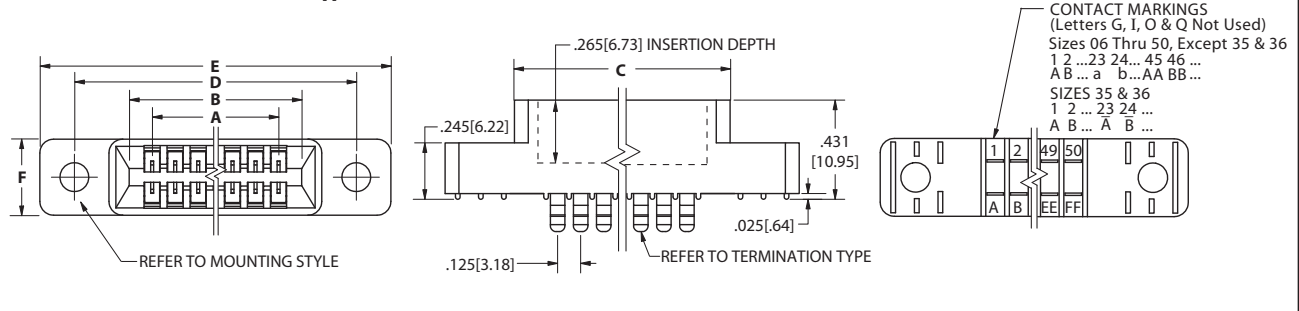
SE = Card Extender

READOUT

D = Dual

DIMENSIONS

Dimensions in [] are in millimeters, all others are in inches.



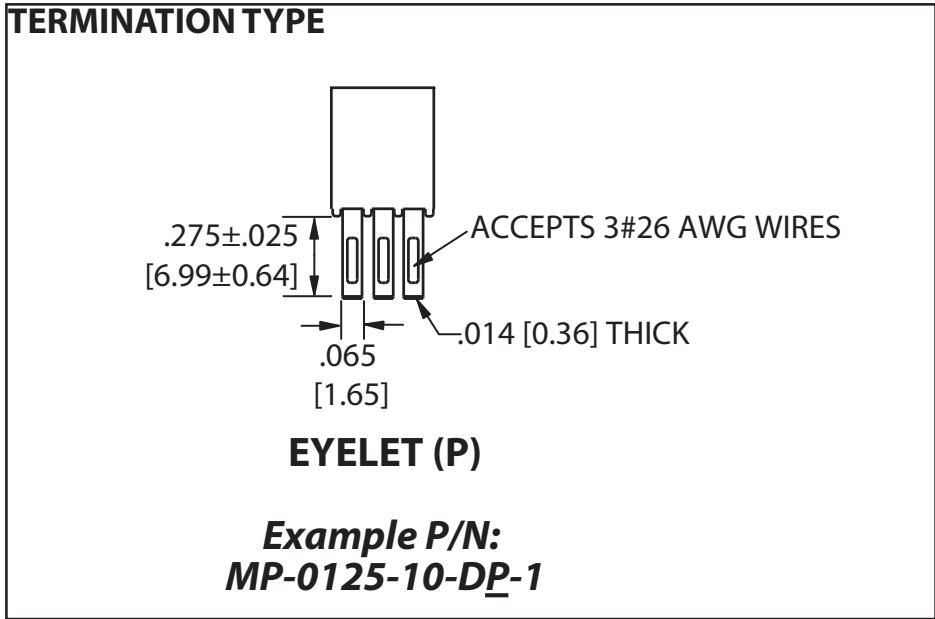
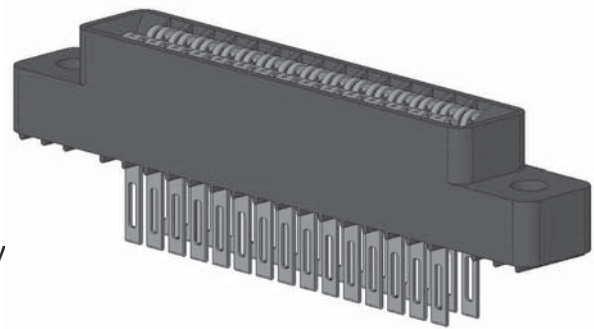
POSITIONS/ CONTACTS	INCHES						MILLIMETERS							
	A±.008	B±.008	C±.015	D±.010	E±.020	F±.005	A±0.20	B±0.20	C±0.38	D±0.25	E±0.51	F±0.13		
06/12	0.625	0.875	1.035	1.295	1.575	0.330	15.88	22.23	26.29	32.89	40.01	8.38		
10/20	1.125	1.375	1.535	1.795	2.075		28.58	34.93	38.99	45.59	52.71			
14/28	1.625	1.875	2.035	2.295	2.575		41.28	47.63	51.69	58.29	65.41			
15/30	1.750	2.000	2.160	2.420	2.700		44.45	50.80	54.86	61.47	68.58			
18/36	2.125	2.375	2.535	2.795	3.075		53.98	60.33	64.39	70.99	78.11			
22/44	2.625	2.875	3.035	3.295	3.575		66.68	73.03	77.09	83.69	90.81			
28/56	3.375	3.625	3.785	4.045	4.325		85.73	92.08	96.14	102.74	109.86			
30/60	3.625	3.875	4.035	4.295	4.575		92.08	98.43	102.49	109.09	116.21			
31/62	3.750	4.000	4.160	4.420	4.700		95.25	101.60	105.66	112.27	119.38			
35/70	4.250	4.500	4.660	4.920	5.200		107.95	114.30	118.36	124.97	132.08			
36/72	4.375	4.625	4.785	5.045	5.325		111.13	117.48	121.54	128.14	135.26			
37/74	4.500	4.750	4.910	5.170	5.450		114.30	120.65	124.71	131.32	138.43			
40/80	4.875	5.125	5.285	5.545	5.825		123.83	130.18	134.24	140.84	147.96		0.370	9.40
43/86	5.250	5.500	5.660	5.920	6.200		133.35	139.70	143.76	150.37	157.48			
44/88	5.375	5.625	5.785	6.045	6.325	136.53	142.88	146.94	153.54	160.66				
49/98	6.000	6.250	6.410	6.670	6.950	152.40	158.75	162.81	169.42	176.53				
50/100	6.125	6.375	6.535	6.795	7.075	155.58	161.93	165.99	172.59	179.71				



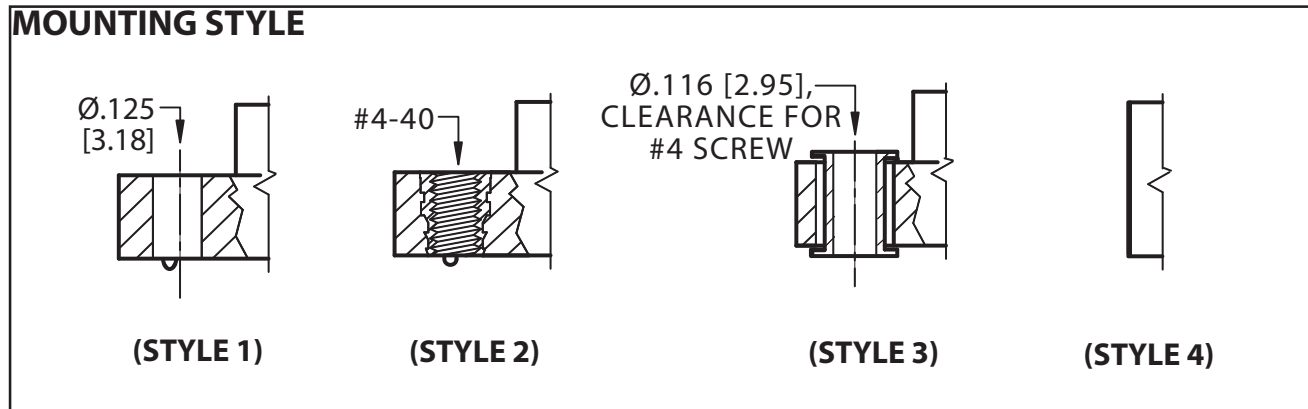
.125" [3.18 mm] Contact Centers, .431" [10.95 mm] Insulator Height, Eyelet

SPECIFICATIONS

- Accommodates $.062" \pm .008"$ [1.57 ± 0.20] PC Board
- Insulator Material available in PBT, PPS or PA9T
- 3 Amp Current Rating per contact
- Insulator / Contact Specifications and Part Number Coding See Pages 98-99
- P/N 04-0004-000 for In Between Contact Position Key See Page 142 (Sold Separately)
- Molded-in Key Available - Consult Factory



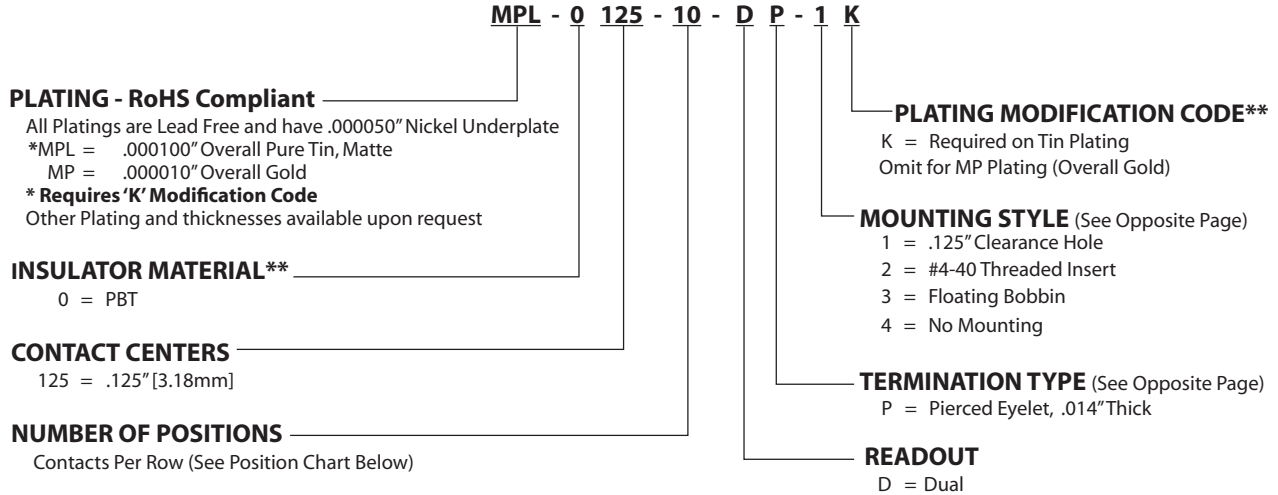
Micro Plastics Edgards





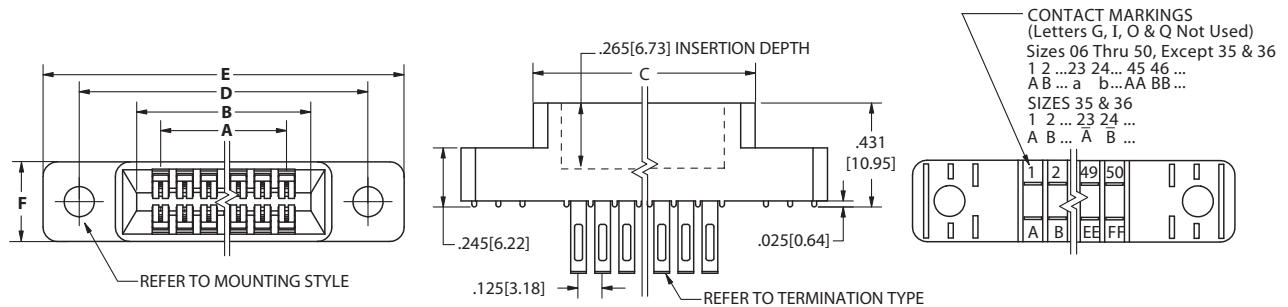
.125" [3.18 mm] Contact Centers, .431" [10.95 mm] Insulator Height, Eyelet

PART NUMBER CODING



DIMENSIONS

Dimensions in [] are in millimeters, all others are in inches.



POSITIONS/ CONTACTS	INCHES						MILLIMETERS						
	A±.008	B±.008	C±.015	D±.010	E±.020	F±.005	A±0.20	B±0.20	C±0.38	D±0.25	E±0.51	F±0.13	
06/12	0.625	0.875	1.035	1.295	1.575	0.330	15.88	22.23	26.29	32.89	40.01	8.38	
10/20	1.125	1.375	1.535	1.795	2.075		28.58	34.93	38.99	45.59	52.71		
14/28	1.625	1.875	2.035	2.295	2.575		41.28	47.63	51.69	58.29	65.41		
15/30	1.750	2.000	2.160	2.420	2.700		44.45	50.80	54.86	61.47	68.58		
18/36	2.125	2.375	2.535	2.795	3.075		53.98	60.33	64.39	70.99	78.11		
22/44	2.625	2.875	3.035	3.295	3.575		66.68	73.03	77.09	83.69	90.81		
28/56	3.375	3.625	3.785	4.045	4.325		85.73	92.08	96.14	102.74	109.86		
30/60	3.625	3.875	4.035	4.295	4.575		92.08	98.43	102.49	109.09	116.21		
31/62	3.750	4.000	4.160	4.420	4.700		95.25	101.60	105.66	112.27	119.38		
35/70	4.250	4.500	4.660	4.920	5.200		107.95	114.30	118.36	124.97	132.08		
36/72	4.375	4.625	4.785	5.045	5.325		111.13	117.48	121.54	128.14	135.26		
37/74	4.500	4.750	4.910	5.170	5.450		114.30	120.65	124.71	131.32	138.43		
40/80	4.875	5.125	5.285	5.545	5.825		123.83	130.18	134.24	140.84	147.96		9.40
43/86	5.250	5.500	5.660	5.920	6.200		133.35	139.70	143.76	150.37	157.48		
44/88	5.375	5.625	5.785	6.045	6.325	136.53	142.88	146.94	153.54	160.66			
49/98	6.000	6.250	6.410	6.670	6.950	152.40	158.75	162.81	169.42	176.53			
50/100	6.125	6.375	6.535	6.795	7.075	155.58	161.93	165.99	172.59	179.71			

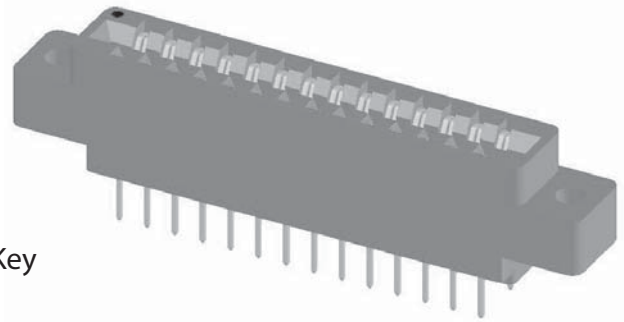
Micro Plastics Edgecards



**.125" [3.18 mm] Contact Centers, .610" [15.49 mm] Insulator Height,
Wire Wrap & Dip Solder**

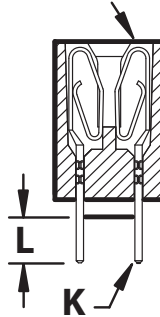
SPECIFICATIONS

- Accommodates .062" ± .008" [1.57 ± 0.20] PC Board
- Insulator Material available in PBT, PPS or PA9T
- 3 Amp Current Rating per contact
- Insulator / Contact Specifications and Part Number Coding See Pages 98-99
- P/N 04-0004-000 for In Between Contact Position Key See Page 142 (Sold Separately)
- Molded-in Key Available - Consult Factory



TERMINATION TYPE

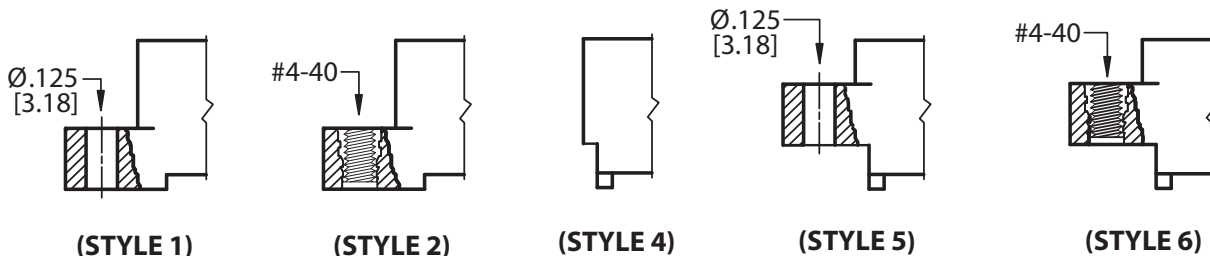
LOOP BELLOWS



LOOP BELLOWS

TERMINATION CODE	MODIFICATION CODE	TYPE	POST CROSS SECTION K	POST LENGTH L	FITS MIN. HOLE SIZE	EXAMPLE PART NUMBER
R	H	Dip Solder	.026 [0.66] Round	.190 [4.83]	.030 [0.76]	<i>MPSL-0125-10-DR-1HK</i>
R	H(.165)	Dip Solder	.026 [0.66] Round	.165 [4.19]	.030 [0.76]	<i>MPSL-0125-10-DR-1HK(.165)</i>
W	H	Dip Solder	.025 [0.64] Square	.190 [4.83]	.040 [1.02]	<i>MPSL-0125-10-DW-1HK</i>
W	OMIT	Wire Wrap	.025 [0.64] Square	.560 [14.20]	.040 [1.02]	<i>MPSL-0125-10-DW-1K</i>

MOUNTING STYLE



Micro Plastics Edgards

.125" [3.18 mm] Contact Centers, .610" [15.49 mm] Insulator Height, Wire Wrap & Dip Solder



PART NUMBER CODING

MPSL - 0 125 - 10 - D W - 1 H K

PLATING - RoHS Compliant
All Platings are Lead Free and have .000050" Nickel Underplate

Contact Surface Termination

*MPSL = .000010" Gold .000100" Pure Tin, Matte
*MPL = .000100" Overall Pure Tin, Matte
MP = .000010" Overall Gold

***Requires 'K' Modification Code**

INSULATOR MATERIAL**
0 = PBT

CONTACT CENTERS
125 = .125" [3.18mm]

NUMBER OF POSITIONS
Contacts Per Row (See Position Chart Below)

READOUT
D = Dual

PLATING MODIFICATION CODE**
K = Required on MPSL or MPL Plating
Omit for MP Plating (Overall Gold)

MODIFICATION CODE**
(See Opposite Page)
H = Dip Solder .190[4.83] Tail Length
(.026 Round or .025 Square)
H(.165) = Dip Solder .165[4.19] Tail Length
(.026 Round Only)

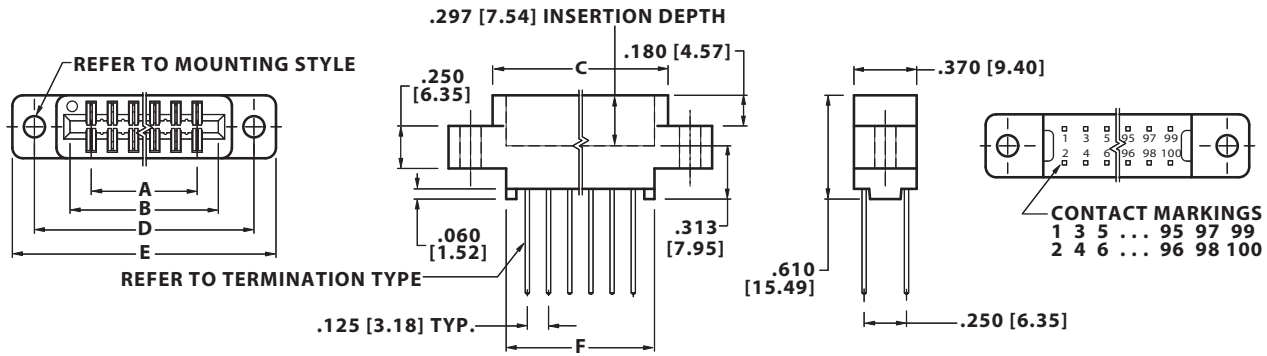
MOUNTING STYLE (See Opposite Page)
1 = .125" Clearance Hole
2 = #4-40 Threaded Insert
4 = No Mounting
5 = Raised, .125" Clearance Hole
6 = Raised, #4-40 Threaded Insert

TERMINATION TYPE (See Opposite Page)
LOOP BELLOWS
R = .026[.66mm] Round
W = .025[.64mm] Square

**** SEE PAGES 96-97 FOR SPECIFICATIONS AND OTHER VARIATIONS**

DIMENSIONS

Dimensions in [] are in millimeters, all others are in inches.



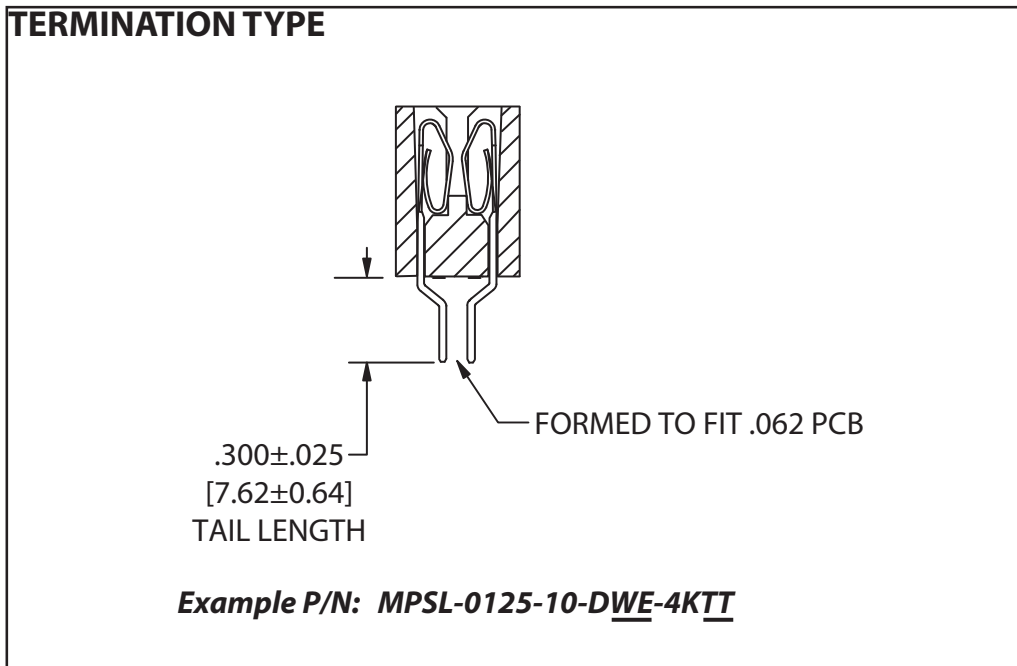
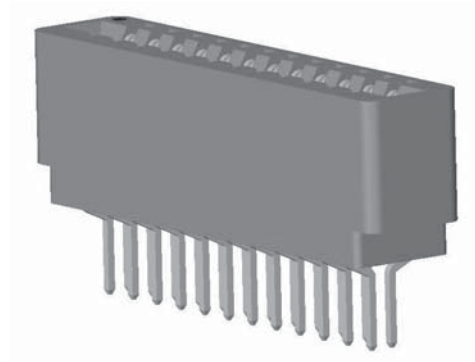
POSITIONS/ CONTACTS	INCHES						MILLIMETERS					
	A±.008	B±.008	C±.015	D±.010	E±.020	F±.015	A±0.20	B±0.20	C±0.38	D±0.25	E±0.51	F±0.38
06/12	0.625	0.875	1.035	1.295	1.555	0.875	15.88	22.23	26.29	32.89	39.50	22.23
10/20	1.125	1.375	1.535	1.795	2.055	1.375	28.58	34.93	38.99	45.59	52.20	34.93
14/28	1.625	1.875	2.035	2.295	2.555	1.875	41.28	47.63	51.69	58.29	64.90	47.63
15/30	1.750	2.000	2.160	2.420	2.680	2.000	44.45	50.80	54.86	61.47	68.07	50.80
18/36	2.125	2.375	2.535	2.795	3.055	2.375	53.98	60.33	64.39	70.99	77.60	60.33
22/44	2.625	2.875	3.035	3.295	3.555	2.875	66.68	73.03	77.09	83.69	90.30	73.03
24/48	2.875	3.125	3.285	3.545	3.805	3.125	73.03	79.38	83.44	90.04	96.65	79.38
28/56	3.375	3.625	3.785	4.045	4.305	3.625	85.73	92.08	96.14	102.74	109.35	92.08
30/60	3.625	3.875	4.035	4.295	4.555	3.875	92.08	98.43	102.49	109.09	115.70	98.43
31/62	3.750	4.000	4.160	4.420	4.680	4.000	95.25	101.60	105.66	112.27	118.87	101.60
32/64	3.875	4.125	4.285	4.545	4.805	4.125	98.43	104.78	108.84	115.44	122.05	104.78
35/70	4.250	4.500	4.660	4.920	5.180	4.500	107.95	114.30	118.36	124.97	131.57	114.30
36/72	4.375	4.625	4.785	5.045	5.305	4.625	111.13	117.48	121.54	128.14	134.75	117.48
40/80	4.875	5.125	5.285	5.545	5.805	5.125	123.83	130.18	134.24	140.84	147.45	130.18
43/86	5.250	5.500	5.660	5.920	6.180	5.500	133.35	139.70	143.76	150.37	156.97	139.70
44/88	5.375	5.625	5.785	6.045	6.305	5.625	136.53	142.88	146.94	153.54	160.15	142.88
49/98	6.000	6.250	6.410	6.670	6.930	6.250	152.40	158.75	162.81	169.42	176.02	158.75
50/100	6.125	6.375	6.535	6.795	7.055	6.375	155.58	161.93	165.99	172.59	179.20	161.93



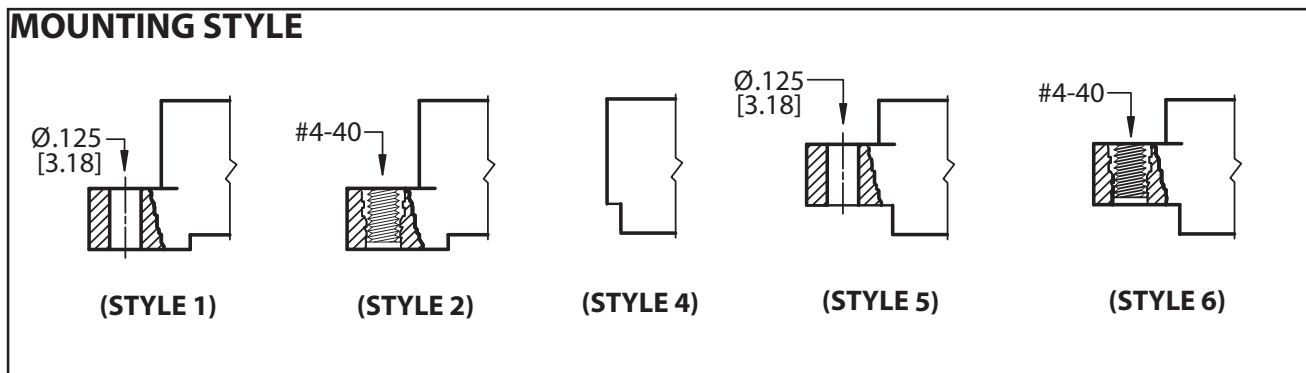
**.125" [3.18 mm] Contact Centers, .550" [13.90 mm] Insulator Height,
.025" [.64 mm] Square Card Extender**

SPECIFICATIONS

- Accommodates $.062" \pm .008"$ [1.57 ± 0.20] PC Board
- Insulator Material available in PBT, PPS or PA9T
- 3 Amp Current Rating per contact
- Insulator / Contact Specifications and Part Number Coding See Pages 98-99
- P/N 04-0004-000 for In Between Contact Position Key See Page 142 (Sold Separately)
- Molded-in Key Available - Consult Factory



Micro Plastics Edgards





.125" [3.18 mm] Contact Centers, .550" [13.90 mm] Insulator Height, .025" [.64 mm] Square Card Extender

PART NUMBER CODING

MPSL - 0 125 - 10 - D WE - 4 K TT

PLATING - RoHS Compliant
All Platings are Lead Free and have .000050" Nickel Underplate

Contact Surface	Termination
*MPSL = .000010" Gold	.000100" Pure Tin, Matte
*MPL = .000100" Overall Pure Tin, Matte	
MP = .000010" Overall Gold	

*Requires 'K' Modification Code

INSULATOR MATERIAL**
0 = PBT

CONTACT CENTERS
125 = .125" [3.18mm]

NUMBER OF POSITIONS
Contacts Per Row (See Position Chart Below)

READOUT
D = Dual

MODIFICATION CODE**
TT = No Standoffs

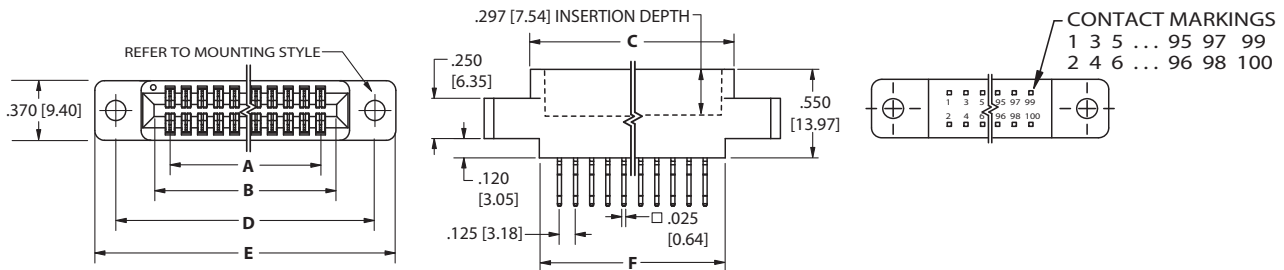
PLATING MODIFICATION CODE**
K = Required on MPSL or MPL Plating
Omit for MP Plating (Overall Gold)

MOUNTING STYLE (See Opposite Page)
1 = .125" Clearance Hole
2 = #4-40 Threaded Insert
4 = No Mounting
5 = Raised, .125" Clearance Hole
6 = Raised, #4-40 Threaded Insert

TERMINATION TYPE (See Opposite Page)
WE = Card Extender

DIMENSIONS

Dimensions in [] are in millimeters, all others are in inches.



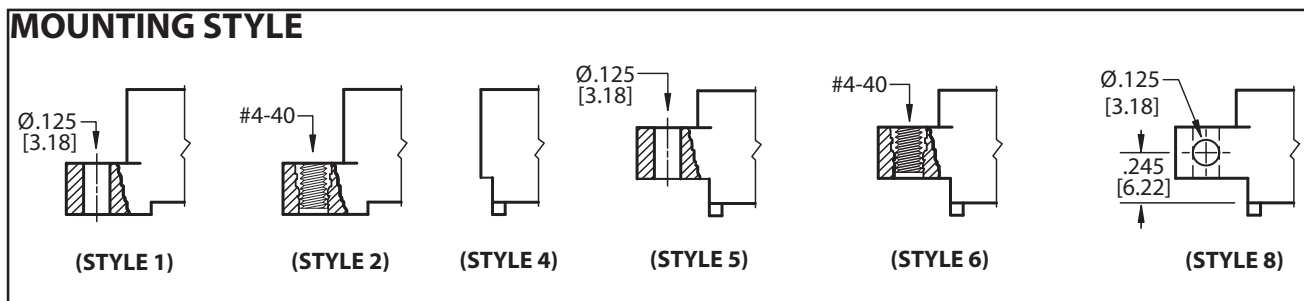
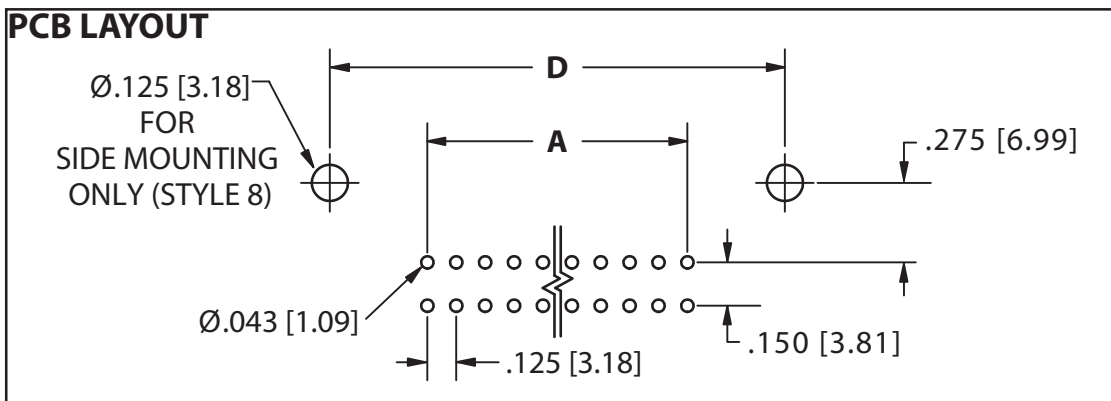
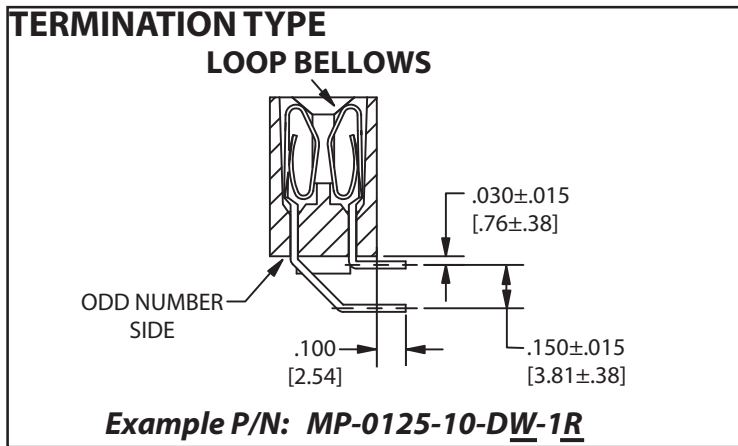
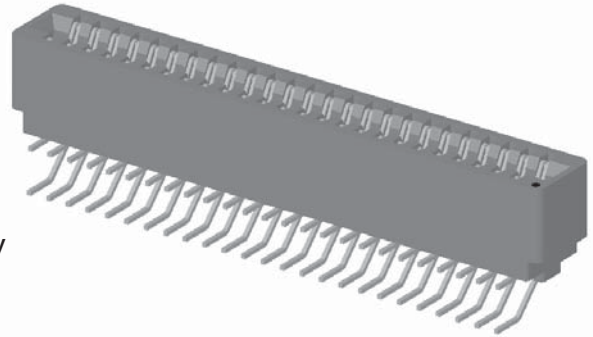
POSITIONS/ CONTACTS	INCHES						MILLIMETERS					
	A±.008	B±.008	C±.015	D±.010	E±.020	F±.015	A±0.20	B±0.20	C±0.38	D±0.25	E±0.51	F±0.38
06/12	0.625	0.875	1.035	1.295	1.555	0.875	15.88	22.23	26.29	32.89	39.50	22.23
10/20	1.125	1.375	1.535	1.795	2.055	1.375	28.58	34.93	38.99	45.59	52.20	34.93
14/28	1.625	1.875	2.035	2.295	2.555	1.875	41.28	47.63	51.69	58.29	64.90	47.63
15/30	1.750	2.000	2.160	2.420	2.680	2.000	44.45	50.80	54.86	61.47	68.07	50.80
18/36	2.125	2.375	2.535	2.795	3.055	2.375	53.98	60.33	64.39	70.99	77.60	60.33
22/44	2.625	2.875	3.035	3.295	3.555	2.875	66.68	73.03	77.09	83.69	90.30	73.03
24/48	2.875	3.125	3.285	3.545	3.805	3.125	73.03	79.38	83.44	90.04	96.65	79.38
28/56	3.375	3.625	3.785	4.045	4.305	3.625	85.73	92.08	96.14	102.74	109.35	92.08
30/60	3.625	3.875	4.035	4.295	4.555	3.875	92.08	98.43	102.49	109.09	115.70	98.43
31/62	3.750	4.000	4.160	4.420	4.680	4.000	95.25	101.60	105.66	112.27	118.87	101.60
32/64	3.875	4.125	4.285	4.545	4.805	4.125	98.43	104.78	108.84	115.44	122.05	104.78
35/70	4.250	4.500	4.660	4.920	5.180	4.500	107.95	114.30	118.36	124.97	131.57	114.30
36/72	4.375	4.625	4.785	5.045	5.305	4.625	111.13	117.48	121.54	128.14	134.75	117.48
40/80	4.875	5.125	5.285	5.545	5.805	5.125	123.83	130.18	134.24	140.84	147.45	130.18
43/86	5.250	5.500	5.660	5.920	6.180	5.500	133.35	139.70	143.76	150.37	156.97	139.70
44/88	5.375	5.625	5.785	6.045	6.305	5.625	136.53	142.88	146.94	153.54	160.15	142.88
49/98	6.000	6.250	6.410	6.670	6.930	6.250	152.40	158.75	162.81	169.42	176.02	158.75
50/100	6.125	6.375	6.535	6.795	7.055	6.375	155.58	161.93	165.99	172.59	179.20	161.93



**.125" [3.18 mm] Contact Centers, .610" [15.49 mm] Insulator Height,
Right Angle**

SPECIFICATIONS

- Accommodates $.062" \pm .008" [1.57 \pm 0.20]$ PC Board
- Insulator Material available in PBT, PPS or PA9T
- 3 Amp Current Rating per contact
- Insulator / Contact Specifications and Part Number Coding See Pages 98-99
- P/N 04-0004-000 for In Between Contact Position Key See Page 142 (Sold Separately)
- Molded-in Key Available - Consult Factory





PART NUMBER CODING

MPSL - 0 125 - 10 - D W - 1 K R

PLATING - RoHS Compliant
All Platings are Lead Free and have .000050" Nickel Underplate

Contact Surface	Termination
*MPSL = .000010" Gold	.000100" Pure Tin, Matte
*MPL = .000100" Overall Pure Tin, Matte	
MP = .000010" Overall Gold	

*Requires 'K' Modification Code

INSULATOR MATERIAL**
0 = PBT

CONTACT CENTERS
125 = .125" [3018mm]

NUMBER OF POSITIONS
Contacts Per Row (See Position Chart Below)

READOUT
D = Dual

MODIFICATION CODE**
R = Right Angle

PLATING MODIFICATION CODE**
K = Required on MPSL or MPL Plating
Omit for MP Plating (Overall Gold)

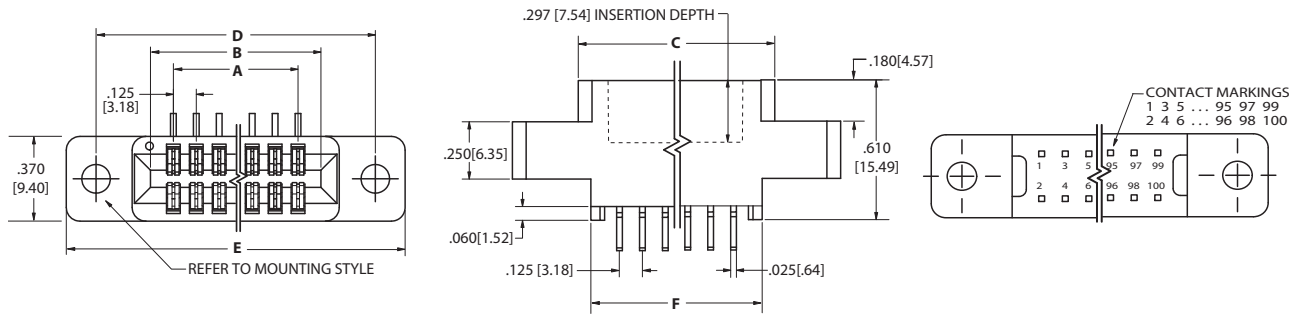
MOUNTING STYLE (See Opposite Page)

- 1 = .125" Clearance Hole
- 2 = #4-40 Threaded Insert
- 4 = No Mounting
- 5 = Raised, .125" Clearance Hole
- 6 = Raised, #4-40 Threaded Insert
- 8 = Raised, Side Mounting, .125" Clearance Hole

TERMINATION TYPE (See Opposite Page)
LOOP BELLOWS
W = .025 [.64] Square

DIMENSIONS

Dimensions in [] are in millimeters, all others are in inches.



POSITIONS/ CONTACTS	INCHES						MILLIMETERS					
	A±.008	B±.008	C±.015	D±.010	E±.020	F±.015	A±0.20	B±0.20	C±0.38	D±0.25	E±0.51	F±0.38
06/12	0.625	0.875	1.035	1.295	1.555	0.875	15.88	22.23	26.29	32.89	39.50	22.23
10/20	1.125	1.375	1.535	1.795	2.055	1.375	28.58	34.93	38.99	45.59	52.20	34.93
14/28	1.625	1.875	2.035	2.295	2.555	1.875	41.28	47.63	51.69	58.29	64.90	47.63
15/30	1.750	2.000	2.160	2.420	2.680	2.000	44.45	50.80	54.86	61.47	68.07	50.80
18/36	2.125	2.375	2.535	2.795	3.055	2.375	53.98	60.33	64.39	70.99	77.60	60.33
22/44	2.625	2.875	3.035	3.295	3.555	2.875	66.68	73.03	77.09	83.69	90.30	73.03
24/48	2.875	3.125	3.285	3.545	3.805	3.125	73.03	79.38	83.44	90.04	96.65	79.38
28/56	3.375	3.625	3.785	4.045	4.305	3.625	85.73	92.08	96.14	102.74	109.35	92.08
30/60	3.625	3.875	4.035	4.295	4.555	3.875	92.08	98.43	102.49	109.09	115.70	98.43
31/62	3.750	4.000	4.160	4.420	4.680	4.000	95.25	101.60	105.66	112.27	118.87	101.60
32/64	3.875	4.125	4.285	4.545	4.805	4.125	98.43	104.78	108.84	115.44	122.05	104.78
35/70	4.250	4.500	4.660	4.920	5.180	4.500	107.95	114.30	118.36	124.97	131.57	114.30
36/72	4.375	4.625	4.785	5.045	5.305	4.625	111.13	117.48	121.54	128.14	134.75	117.48
40/80	4.875	5.125	5.285	5.545	5.805	5.125	123.83	130.18	134.24	140.84	147.45	130.18
43/86	5.250	5.500	5.660	5.920	6.180	5.500	133.35	139.70	143.76	150.37	156.97	139.70
44/88	5.375	5.625	5.785	6.045	6.305	5.625	136.53	142.88	146.94	153.54	160.15	142.88
49/98	6.000	6.250	6.410	6.670	6.930	6.250	152.40	158.75	162.81	169.42	176.02	158.75
50/100	6.125	6.375	6.535	6.795	7.055	6.375	155.58	161.93	165.99	172.59	179.20	161.93

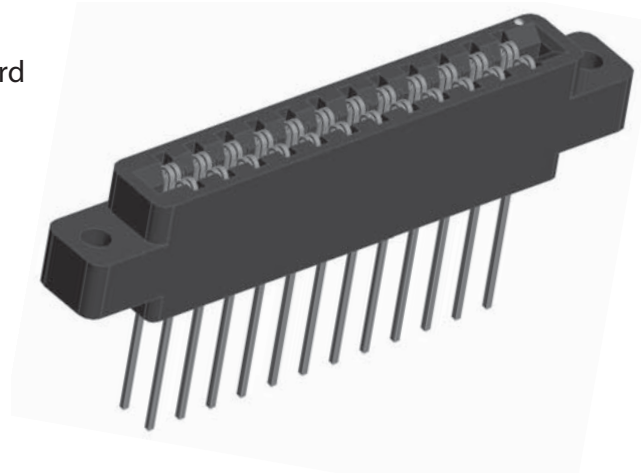
Micro Plastics Edgecards



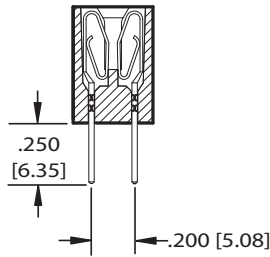
**.150" [3.81 mm] Contact Centers, .550" [13.90 mm] Insulator Height,
.025" [.64 mm] Square & .026" [.66 mm] Round Dip Solder**

SPECIFICATIONS

- Accommodates .062" ± .008" [1.57 ± 0.20] PC Board
- Insulator Material available in PBT, PPS or PA9T
- 3 Amp Current Rating per contact
- Insulator / Contact Specifications and Part Number Coding See Pages 98-99
- P/N 04-0004-000 for In Between Contact Position Key See Page 142 (Sold Separately)
- Molded-in Key Available - Consult Factory

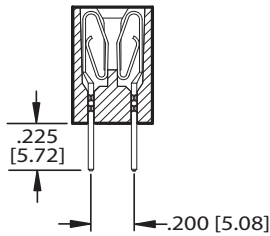


TERMINATION TYPE



.250 [6.35] TAIL LENGTH

Termination Code	Modification Code	Termination Type	Fits Min. Hole Size	Example Part Number
W	H	.025[.64] Square	.040[1.02]	<i>MPSL-0150-18-DW-1HK</i>
R	H	.026[.66] Round	.030[0.76]	<i>MPSL-0150-18-DR-1HK</i>

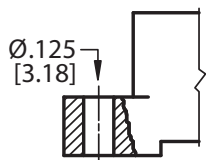


.225 [5.72] TAIL LENGTH

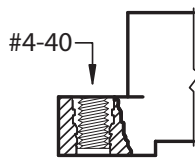
Termination Code	Modification Code	Termination Type	Fits Min. Hole Size	Example Part Number
R	H(.225)	.026[.66] Round	.030[0.76]	<i>MPSL-0150-18-DR-1HK(.225)</i>

Micro Plastics Edgards

MOUNTING STYLE



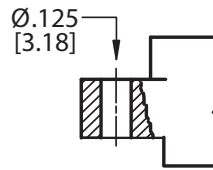
(STYLE 1)



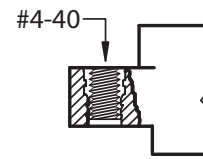
(STYLE 2)



(STYLE 4)



(STYLE 5)



(STYLE 6)



.150" [3.81 mm] Contact Centers, .550" [13.90 mm] Insulator Height, .025" [.64 mm] Square & .026" [.66 mm] Round Dip Solder

PART NUMBER CODING

MPSL - 0 150 - 18 - D W - 1 H K

PLATING - RoHS Compliant
All Platings are Lead Free and have .000050" Nickel Underplate

Contact Surface Termination

*MPSL = .000010" Gold .000100" Pure Tin Matte
*MPL = .000100" Overall Pure Tin, Matte
MP = .000010" Overall Gold

*** Requires 'K' Modification Code**

INSULATOR MATERIAL**
0 = PBT

CONTACT CENTERS
150 = .150" [3.81mm]

NUMBER OF POSITIONS
Contacts Per Row (See Position Chart Below)

READOUT
D = Dual

PLATING MODIFICATION CODE**
K = Required on MPSL or MPL Plating
Omit for MP Plating (Overall Gold)

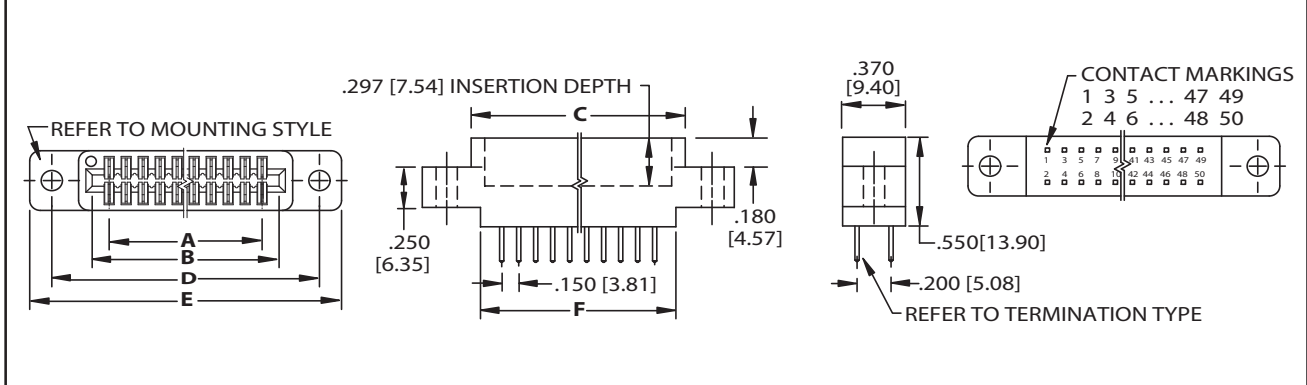
MODIFICATION CODE**
(See Opposite Page)
H = Dip Solder .250[6.35] Tail Length
(.026 Round or .025 Square)
H(.225) = Dip Solder .225[5.72] Tail Length
(.026 Round Only)

MOUNTING STYLE (See Opposite Page)
1 = .125" Clearance Hole
2 = #4-40 Threaded Insert
4 = No Mounting
5 = Raised, .125" Clearance Hole
6 = Raised, #4-40 Threaded Insert

TERMINATION TYPE (See Opposite Page)
LOOP BELLOWS
W = .025[.64mm] Square
R = .026[.66mm] Round

DIMENSIONS

Dimensions in [] are in millimeters, all others are in inches.



Micro Plastics Edgcards

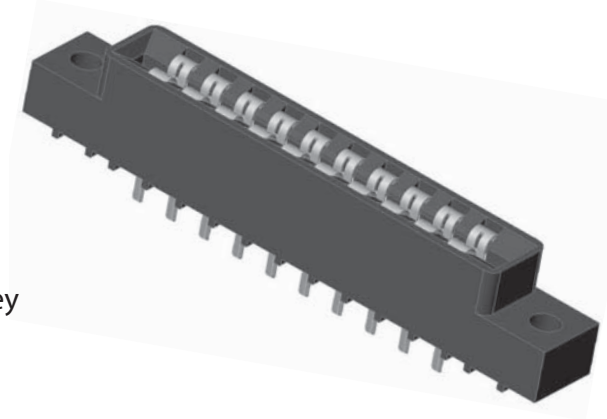
POSITIONS/ CONTACTS	INCHES						[MILLIMETERS]					
	A±.010	B±.010	C±.015	D±.015	E±.020	F±.015	A±0.25	B±0.25	C±0.38	D±0.38	E±0.51	F±0.20
18/36	2.550	2.850	2.990	3.300	3.550	2.800	64.77	72.39	75.95	83.82	90.17	71.12
25/50	3.600	3.900	4.040	-----	-----	3.850	91.44	99.06	102.62	-----	-----	97.79
26/52	3.750	4.050	4.190	4.500	4.750	4.000	95.25	102.87	106.43	114.30	120.65	101.60
28/56	4.050	4.350	4.490	4.800	5.050	4.300	102.87	110.49	114.05	121.92	128.27	109.22
32/64	4.650	4.950	5.090	-----	-----	4.900	118.11	125.73	129.29	-----	-----	124.46
50/100	7.350	7.650	7.800	-----	-----	7.600	186.69	194.31	198.12	-----	-----	193.04



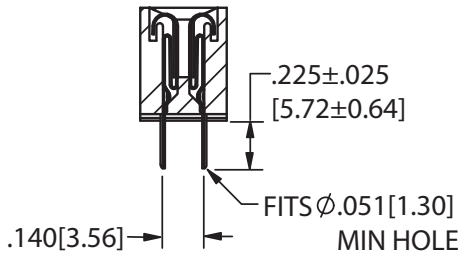
**.156" [3.96 mm] Contact Centers, .431" [10.95 mm] Insulator Height,
Dip Solder**

SPECIFICATIONS

- Accommodates $.062" \pm .008"$ [1.57 ± 0.20] PC Board
- Insulator Material available in PBT, PPS or PA9T
- 3 Amp Current Rating per contact
- Insulator / Contact Specifications and Part Number Coding See Page 98-99
- Row Spacing Available in $.140"$ or $.200"$ (Use Modification Code 'E9' or 'X9' for $.200"$)
- P/N 04-0003-000 for In Between Contact Position Key
P/N 04-0002-000 for In Contact Position Key
See Page 142 (Sold Separately)
- Molded-in Key Available - Consult Factory

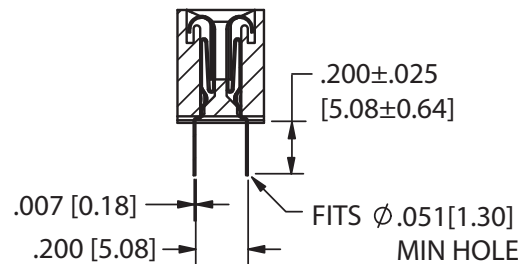


TERMINATION TYPE



**DIP SOLDER (S)
.140" ROW SPACING**

Example P/N: MPSL-0156-10-DS-1K

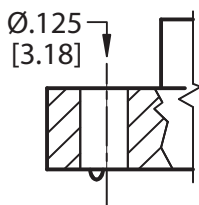


**DIP SOLDER (S)
.200" ROW SPACING
REQUIRES 'X9' MODIFICATION CODE**

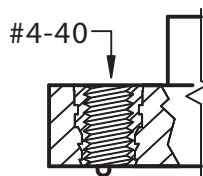
Example P/N: MPSL-0156-10-DS-1X9K

Micro Plastics Edgards

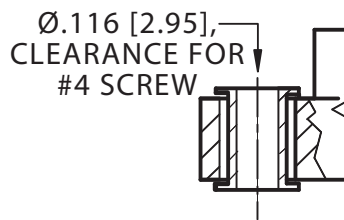
MOUNTING STYLE



(STYLE 1)



(STYLE 2)



(STYLE 3)



(STYLE 4)



PART NUMBER CODING

MPSL - 0 156 - 10 - D S - 1 K

PLATING - RoHS Compliant
All Platings are Lead Free and have .000050" Nickel Underplate

Contact Surface	Termination
*MPSL = .000010" Gold	.000100" Pure Tin, Matte
*MPL = .000100" Overall Pure Tin, Matte	
MP = .000010" Overall Gold	

*Requires 'K' Modification Code

INSULATOR MATERIAL**
0 = PBT

CONTACT CENTERS
156 = .156" [3.96mm]

NUMBER OF POSITIONS
Contacts Per Row (See Position Chart Below)

MODIFICATION CODE**
K = Required on MPSL or MPL Plating
Omit for MP Plating (Overall Gold)
E9, X9 = .200" Row Spacing

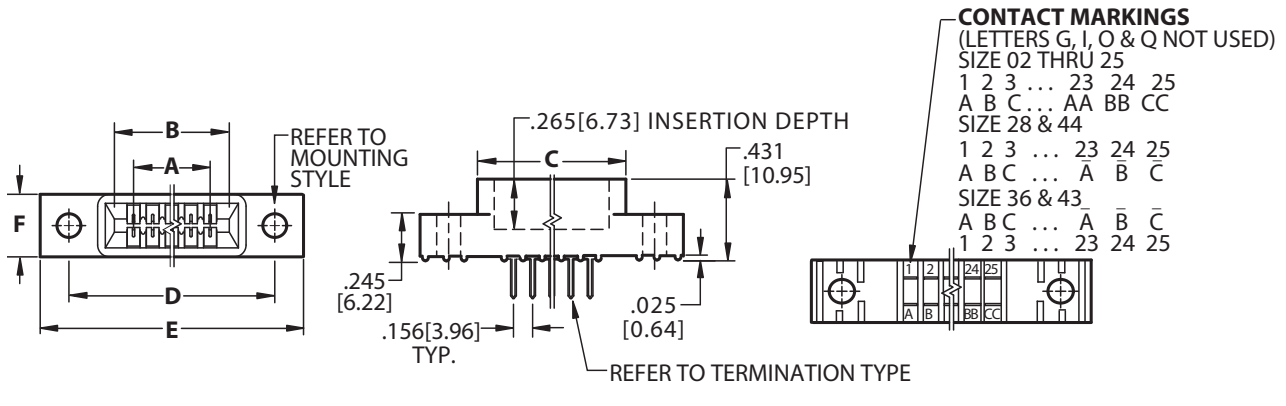
MOUNTING STYLE (See Opposite Page)
1 = .125" Clearance Hole
2 = #4-40 Threaded Insert
3 = Floating Bobbin
4 = No Mounting

TERMINATION TYPE (See Opposite Page)
S = Dip Solder

READOUT
D = Dual

DIMENSIONS

Dimensions in [] are in millimeters, all others are in inches.



POSITIONS/ CONTACTS	INCHES					[MILLIMETERS]						
	A±.008	B±.008	C±.015	D±.010	E MAX	F±.005	A±0.20	B±0.20	C±0.38	D±0.25	E MAX	F±0.13
02/04	0.156	0.476	0.596	'N' MOUNTING		0.325	3.96	12.09	15.14	'N' MOUNTING		
03/06	0.312	0.632	0.752	'N' MOUNTING			7.92	16.05	19.10	'N' MOUNTING		
06/12	0.780	1.100	1.220	1.533	1.902		19.81	27.94	30.99	38.94	48.31	
08/16	1.092	1.412	1.532	1.845	2.214		27.74	35.86	38.91	46.86	56.24	
10/20	1.404	1.724	1.844	2.157	2.526		35.66	43.79	46.84	54.79	64.16	
11/22	1.560	1.880	2.000	2.313	2.682		39.62	47.75	50.80	58.75	68.12	
12/24	1.716	2.036	2.156	2.469	2.838		43.59	51.71	54.76	62.71	72.09	
15/30	2.184	2.504	2.624	2.937	3.306		55.47	63.60	66.65	74.60	83.97	
18/36	2.652	2.972	3.092	3.405	3.774		67.36	75.49	78.54	86.49	95.86	
22/44	3.276	3.596	3.716	4.029	4.398		83.21	91.34	94.39	102.34	111.71	
24/48	3.588	3.908	4.028	4.341	4.710		91.14	99.26	102.31	110.26	119.63	
25/50	3.744	4.064	4.184	4.497	4.866		95.10	103.23	106.27	114.22	123.60	
28/56	4.212	4.532	4.652	4.965	5.334		106.98	115.11	118.16	126.11	135.48	
36/72	5.460	5.780	5.900	6.213	6.582	138.68	146.81	149.86	157.81	167.18		
43/86	6.552	6.872	6.992	7.305	7.674	166.42	174.55	177.60	185.55	194.92		
44/88	6.708	7.028	7.148	7.461	7.830	170.38	178.51	181.56	189.51	198.88		

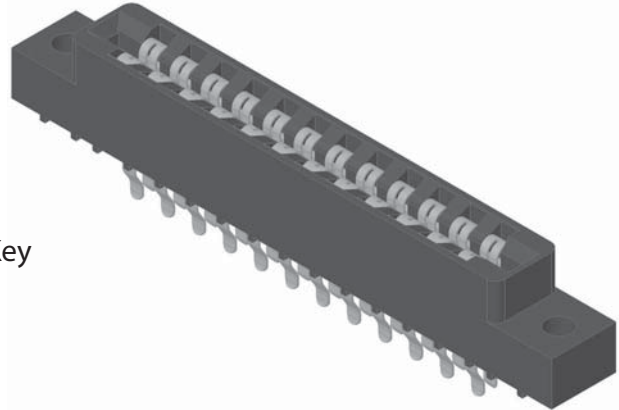
Micro Plastics Edgecards



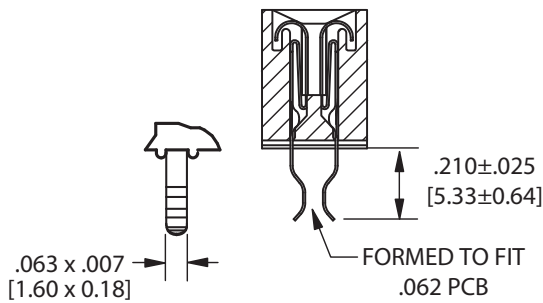
**.156" [3.96 mm] Contact Centers, .431" [10.95 mm] Insulator Height,
Card Extender**

SPECIFICATIONS

- Accommodates $.062" \pm .008"$ [1.57 ± 0.20] PC Board
- Insulator Material available in PBT, PPS or PA9T
- 3 Amp Current Rating per contact
- Insulator / Contact Specifications and Part Number Coding See Page 98-99
- P/N 04-0003-000 for In Between Contact Position Key
P/N 04-0002-000 for In Contact Position Key
See Page 142 (Sold Separately)
- Molded-in Key Available - Consult Factory

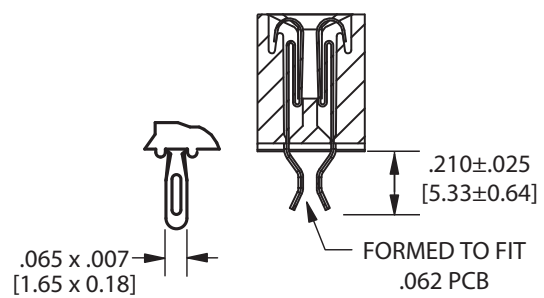


TERMINATION TYPE



CARD EXTENDER (SE)

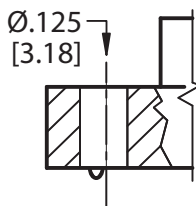
Example P/N: MPSL-0156-10-DSE-1K



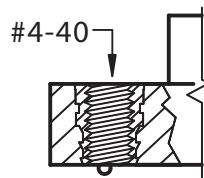
**ECONOMY EYELET
CARD EXTENDER (PE)**

Example P/N: EMPL-0156-10-DPE-1K

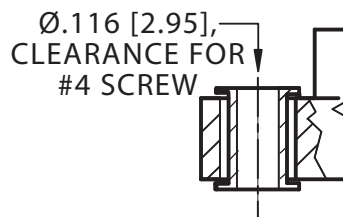
MOUNTING STYLE



(STYLE 1)



(STYLE 2)



(STYLE 3)



(STYLE 4)



.156" [3.96 mm] Contact Centers, .431" [10.95 mm] Insulator Height, Card Extender

PART NUMBER CODING

MPSL - 0 156 - 10 - D SE - 1 K

PLATING - RoHS Compliant

All Platings are Lead Free and have .000050" Nickel Underplate

Contact Surface Termination

- *MPSL = .000010" Gold .000100" Pure Tin Matte
- *MPL = .000100" Overall Pure Tin, Matte
- MP = .000010" Overall Gold

Platings that start with 'E' are for Economy Eyelet Only

- *EMPSL = .000010" Gold .000100" Pure Tin Matte
- *EMPL = .000100" Overall Pure Tin, Matte
- EMP = .000010" Overall Gold

*** Requires 'K' Modification Code**

Other Plating and thicknesses available upon request

INSULATOR MATERIAL**

0 = PBT

CONTACT CENTERS

156 = .156" [3.96mm]

NUMBER OF POSITIONS

Contacts Per Row (See Position Chart Below)

PLATING MODIFICATION CODE**

K = Required on MPSL or MPL Plating
Omit for MP Plating (Overall Gold)

MOUNTING STYLE (See Opposite Page)

- 1 = .125" Clearance Hole
- 2 = #4-40 Threaded Insert
- 3 = Floating Bobbin
- 4 = No Mounting

TERMINATION TYPE (See Opposite Page)

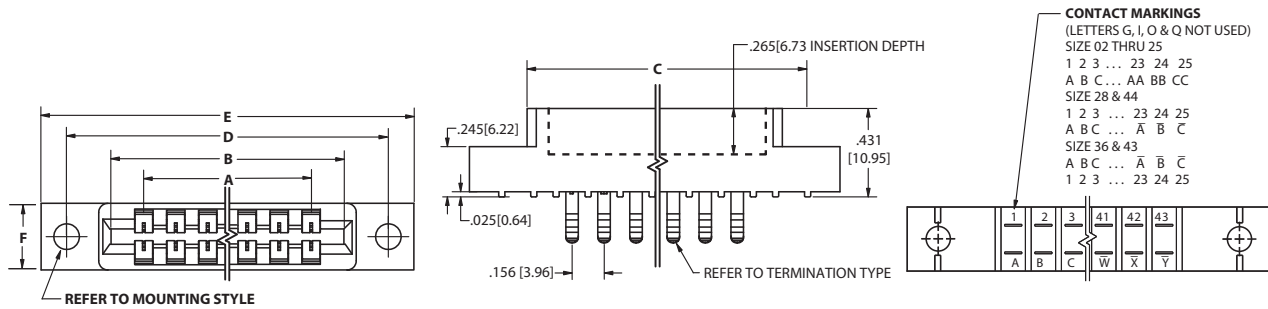
SE = Card Extender
Requires Part Number to start with 'M'
PE = Economy Eyelet Card Extender
Requires Part Number to start with 'E'

READOUT

D = Dual

DIMENSIONS

Dimensions in [] are in millimeters, all others are in inches.



POSITIONS/ CONTACTS	INCHES						[MILLIMETERS]					
	A±.008	B±.008	C±.015	D±.010	E MAX	F±.005	A±0.20	B±0.20	C±0.38	D±0.25	E MAX	F±0.13
02/04	0.156	0.476	0.596	'N' MOUNTING			3.96	12.09	15.14	'N' MOUNTING		
03/06	0.312	0.632	0.752	'N' MOUNTING			7.92	16.05	19.10	'N' MOUNTING		
06/12	0.780	1.100	1.220	1.533	1.902	0.325	19.81	27.94	30.99	38.94	48.31	8.26
08/16	1.092	1.412	1.532	1.845	2.214		27.74	35.86	38.91	46.86	56.24	
10/20	1.404	1.724	1.844	2.157	2.526		35.66	43.79	46.84	54.79	64.16	
11/22	1.560	1.880	2.000	2.313	2.682		39.62	47.75	50.80	58.75	68.12	
12/24	1.716	2.036	2.156	2.469	2.838		43.59	51.71	54.76	62.71	72.09	
15/30	2.184	2.504	2.624	2.937	3.306		55.47	63.60	66.65	74.60	83.97	
18/36	2.652	2.972	3.092	3.405	3.774		67.36	75.49	78.54	86.49	95.86	
22/44	3.276	3.596	3.716	4.029	4.398		83.21	91.34	94.39	102.34	111.71	
24/48	3.588	3.908	4.028	4.341	4.710		91.14	99.26	102.31	110.26	119.63	
25/50	3.744	4.064	4.184	4.497	4.866		95.10	103.23	106.27	114.22	123.60	
28/56	4.212	4.532	4.652	4.965	5.334	0.438	106.98	115.11	118.16	126.11	135.48	11.13
36/72	5.460	5.780	5.900	6.213	6.582		138.68	146.81	149.86	157.81	167.18	
43/86	6.552	6.872	6.992	7.305	7.674		166.42	174.55	177.60	185.55	194.92	
44/88	6.708	7.028	7.148	7.461	7.830	0.500	170.38	178.51	181.56	189.51	198.88	12.70

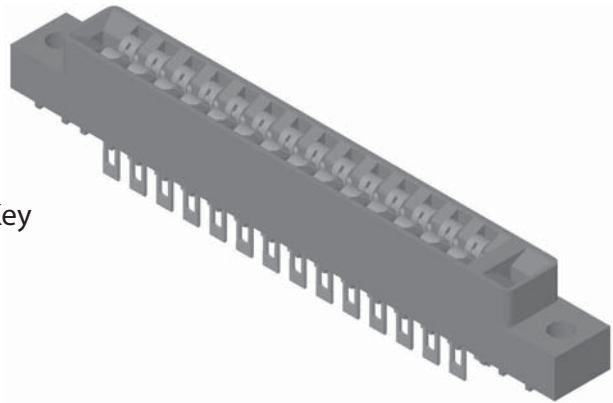
Micro Plastics Edgecards



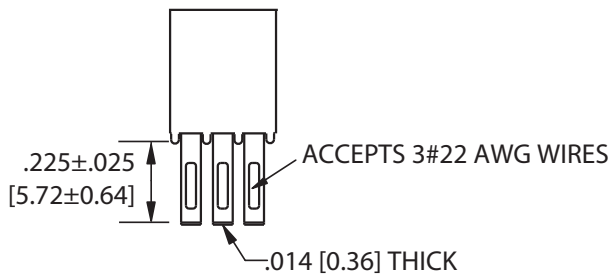
.156" [3.96 mm] Contact Centers, .431" [10.95 mm] Insulator Height, Eyelet

SPECIFICATIONS

- Accommodates $.062" \pm .008"$ [1.57 ± 0.20] PC Board
- Insulator Material available in PBT, PPS or PA9T
- 3 Amp Current Rating per contact
- Insulator / Contact Specifications and Part Number Coding See Page 98-99
- P/N 04-0003-000 for In Between Contact Position Key
P/N 04-0002-000 for In Contact Position Key
See Page 142 (Sold Separately)
- Molded-in Key Available - Consult Factory

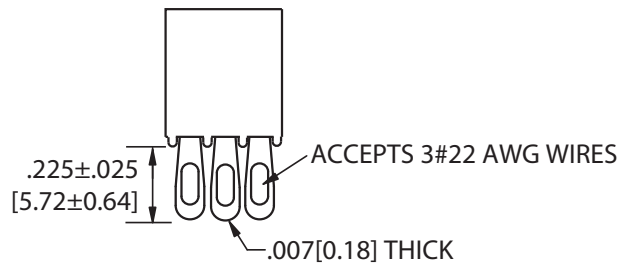


TERMINATION TYPE



EYELET (P)

Example P/N: MP-0156-10-DP-1

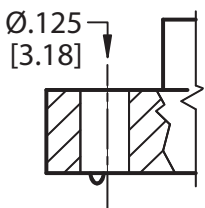


ECONOMY EYELET (P)

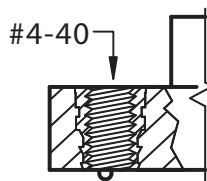
Example P/N: EMPSL-0156-10-DP-1K

Micro Plastics Edgards

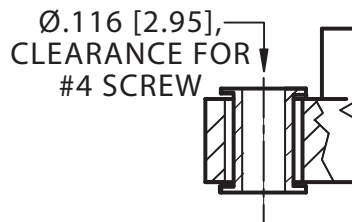
MOUNTING STYLE



(STYLE 1)



(STYLE 2)



(STYLE 3)



(STYLE 4)



.156" [3.96 mm] Contact Centers, .431" [10.95 mm] Insulator Height, Eyelet

PART NUMBER CODING

MPL - 0 156 - 10 - D P - 1 K

PLATING - RoHS Compliant

All Platings are Lead Free and have .000050" Nickel Underplate

Contact Surface	Termination
*MPL = .000100" Overall Pure Tin, Matte	
MP = .000010" Overall Gold	

Platings that start with 'E' are for Economy Eyelet Only

*EMPSL = .000010" Gold	.000100" Pure Tin Matte
*EMPL = .000100" Overall Pure Tin, Matte	
EMP = .000010" Overall Gold	

*** Requires 'K' Modification Code**

Other Plating and thicknesses available upon request

INSULATOR MATERIAL**

0 = PBT

CONTACT CENTERS

156 = .156" [3.96mm]

NUMBER OF POSITIONS

Contacts Per Row (See Position Chart Below)

PLATING MODIFICATION CODE**

K = Required on Tin Plating Terminations
Omit for MP and EMP Plating (Overall Gold)

MOUNTING STYLE (See Opposite Page)

1 = .125" Clearance Hole
2 = #4-40 Threaded Insert
3 = Floating Bobbin
4 = No Mounting

TERMINATION TYPE (See Opposite Page)

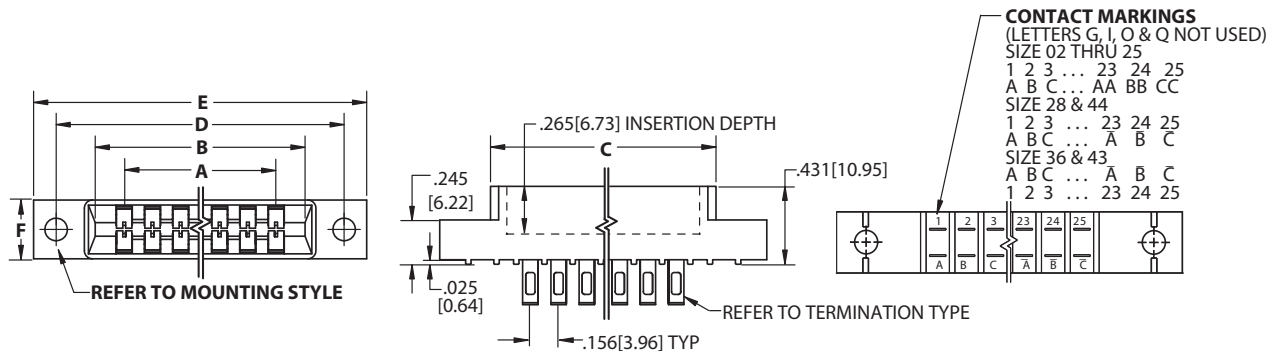
P = Pierced Eyelet, .014" Thick
MPL and MP Plating Only
P = Economy Eyelet, .007" Thick
Requires Part Number to start with 'E'

READOUT

D = Dual

DIMENSIONS

Dimensions in [] are in millimeters, all others are in inches.



POSITIONS/ CONTACTS	INCHES					[MILLIMETERS]						
	A±.008	B±.008	C±.015	D±.010	E MAX	F±.005	A±0.20	B±0.20	C±0.38	D±0.25	E MAX	F±0.13
02/04	0.156	0.476	0.596	'N' MOUNTING			3.96	12.09	15.14	'N' MOUNTING		
03/06	0.312	0.632	0.752	'N' MOUNTING			7.92	16.05	19.10	'N' MOUNTING		
06/12	0.780	1.100	1.220	1.533	1.902	0.325	19.81	27.94	30.99	38.94	48.31	8.26
08/16	1.092	1.412	1.532	1.845	2.214		27.74	35.86	38.91	46.86	56.24	
10/20	1.404	1.724	1.844	2.157	2.526		35.66	43.79	46.84	54.79	64.16	
11/22	1.560	1.880	2.000	2.313	2.682		39.62	47.75	50.80	58.75	68.12	
12/24	1.716	2.036	2.156	2.469	2.838		43.59	51.71	54.76	62.71	72.09	
15/30	2.184	2.504	2.624	2.937	3.306		55.47	63.60	66.65	74.60	83.97	
18/36	2.652	2.972	3.092	3.405	3.774		67.36	75.49	78.54	86.49	95.86	
22/44	3.276	3.596	3.716	4.029	4.398		83.21	91.34	94.39	102.34	111.71	
24/48	3.588	3.908	4.028	4.341	4.710		91.14	99.26	102.31	110.26	119.63	
25/50	3.744	4.064	4.184	4.497	4.866		95.10	103.23	106.27	114.22	123.60	
28/56	4.212	4.532	4.652	4.965	5.334	0.438	106.98	115.11	118.16	126.11	135.48	11.13
36/72	5.460	5.780	5.900	6.213	6.582		138.68	146.81	149.86	157.81	167.18	
43/86	6.552	6.872	6.992	7.305	7.674	0.500	166.42	174.55	177.60	185.55	194.92	12.70
44/88	6.708	7.028	7.148	7.461	7.830		170.38	178.51	181.56	189.51	198.88	

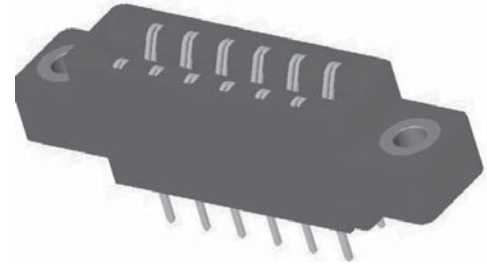
Micro Plastics Edgecards



**.156" [3.96 mm] Contact Centers, .610" [15.49 mm] Insulator Height,
Wire Wrap & Dip Solder**

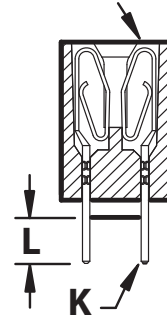
SPECIFICATIONS

- Accommodates .062" ± .008" [1.57 ± 0.20] PC Board
- Insulator Material available in PBT, PPS or PA9T
- 3 Amp Current Rating per contact
- Insulator / Contact Specifications and Part Number Coding See Page 98-99
- P/N 04-0004-000 for In Between Contact Position Key See Page 142 (Sold Separately)
- Molded-in Key Available - Consult Factory



TERMINATION TYPE

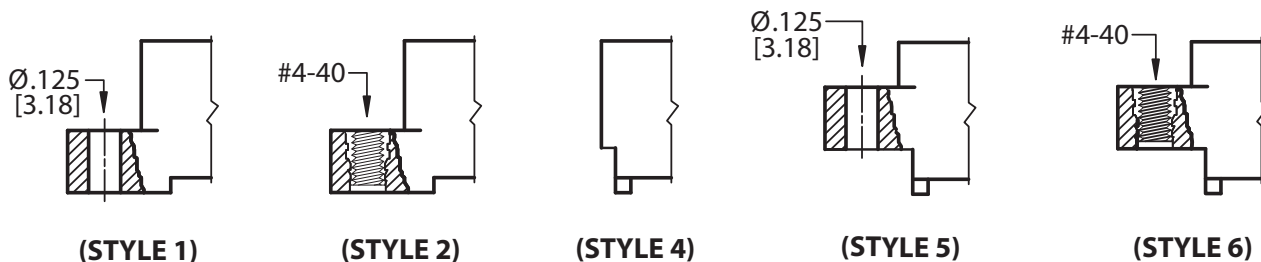
LOOP BELLOWS



LOOP BELLOWS

TERMINATION CODE	MODIFICATION CODE	TYPE	POST CROSS SECTION K	POST LENGTH L	FITS MIN. HOLE SIZE	EXAMPLE PART NUMBER
R	H	Dip Solder	.026 [0.66] Round	.190 [4.83]	.030 [0.76]	<i>MPSL-0156-10-DR-1HK</i>
R	H(.165)	Dip Solder	.026 [0.66] Round	.165 [4.19]	.030 [0.76]	<i>MPSL-0156-10-DR-1HK(.165)</i>
W	H	Dip Solder	.025 [0.64] Square	.190 [4.83]	.040 [1.02]	<i>MPSL-0156-10-DW-1HK</i>
W	OMIT	Wire Wrap	.025 [0.64] Square	.560 [14.20]	.040 [1.02]	<i>MPSL-0156-10-DW-1K</i>

MOUNTING STYLE





.156" [3.96 mm] Contact Centers, .610" [15.49 mm] Insulator Height, Wire Wrap & Dip Solder

PART NUMBER CODING

MPSL - 0 156 - 10 - D W - 1 H K

PLATING - RoHS Compliant
All Platings are Lead Free and have .000050" Nickel Underplate

Contact Surface Termination

*MPSL = .000010" Gold .000100" Pure Tin, Matte

*MPL = .000100" Overall Pure Tin, Matte

MP = .000010" Overall Gold

***Requires 'K' Modification Code**

INSULATOR MATERIAL**
0 = PBT

CONTACT CENTERS
156 = .156" [3.96mm]

NUMBER OF POSITIONS
Contacts Per Row (See Position Chart Below)

READOUT
D = Dual

PLATING MODIFICATION CODE**
K = Required on MPSL or MPL Plating
Omit for MP Plating (Overall Gold)

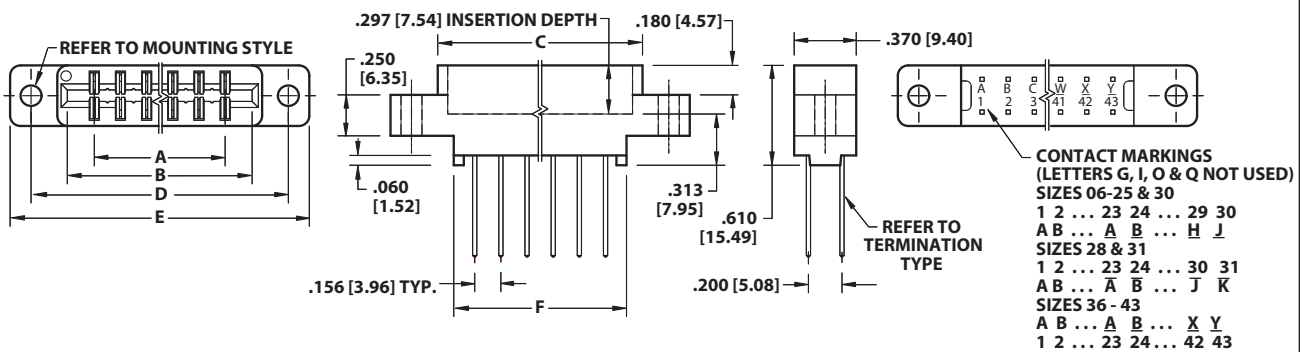
MODIFICATION CODE**
(See Opposite Page)
H = Dip Solder .190[4.83] Tail Length
(.026 Round or .025 Square)
H(.165) = Dip Solder .165[4.19] Tail Length
(.026 Round Only)

MOUNTING STYLE (See Opposite Page)
1 = .125" Clearance Hole
2 = #4-40 Threaded Insert
4 = No Mounting
5 = Raised, .125" Clearance Hole
6 = Raised, #4-40 Threaded Insert

TERMINATION TYPE (See Opposite Page)
LOOP BELLOWS
R = .026[.66mm] Round
W = .025[.64mm] Square

DIMENSIONS

Dimensions in [] are in millimeters, all others are in inches.



POSITIONS/ CONTACTS	INCHES						[MILLIMETERS]					
	A±.008	B±.008	C±.015	D±.010	E±.020	F±.015	A±0.20	B±0.20	C±0.38	D±0.25	E±0.51	F±0.38
06/12	0.780	1.102	1.221	1.534	1.784	1.030	19.81	27.99	31.01	38.96	45.31	26.16
08/16	1.092	1.414	1.533	1.846	2.096	1.342	27.74	35.92	38.94	46.89	53.24	34.09
10/20	1.404	1.726	1.845	2.158	2.408	1.654	35.66	43.84	46.86	54.81	61.16	42.01
12/24	1.716	2.038	2.157	2.470	2.720	1.966	43.59	51.77	54.79	62.74	69.09	49.94
15/30	2.184	2.506	2.625	2.938	3.188	2.434	55.47	63.65	66.68	74.63	80.98	61.82
18/36	2.652	2.974	3.093	3.406	3.656	2.902	67.36	75.54	78.56	86.51	92.86	73.71
20/40*	2.964	3.286	3.405	3.718	3.968	3.214	75.29	83.46	86.49	94.44	100.79	81.64
22/44	3.276	3.598	3.717	4.030	4.280	3.526	83.21	91.39	94.41	102.36	108.71	89.56
24/48	3.588	3.910	4.029	4.342	4.592	3.838	91.14	99.31	102.34	110.29	116.64	97.49
25/50	3.744	4.066	4.185	4.498	4.748	3.994	95.10	103.28	106.30	114.25	120.60	101.45
28/56	4.212	4.534	4.653	4.966	5.216	4.462	106.98	115.16	118.19	126.14	132.49	113.33
30/60	4.524	4.846	4.965	5.278	5.528	4.774	114.91	123.09	126.11	134.06	140.41	121.26
31/62	4.680	5.002	5.121	5.434	5.684	4.930	118.87	127.05	130.07	138.02	144.37	125.22
36/72	5.460	5.782	5.901	6.214	6.464	5.710	138.68	146.86	149.89	157.84	164.19	145.03
40/80	6.084	6.406	6.525	6.838	7.088	6.334	154.53	162.71	165.74	173.69	180.04	160.88
43/86	6.552	6.874	6.993	7.306	7.556	6.802	166.42	174.60	177.62	185.57	191.92	172.77

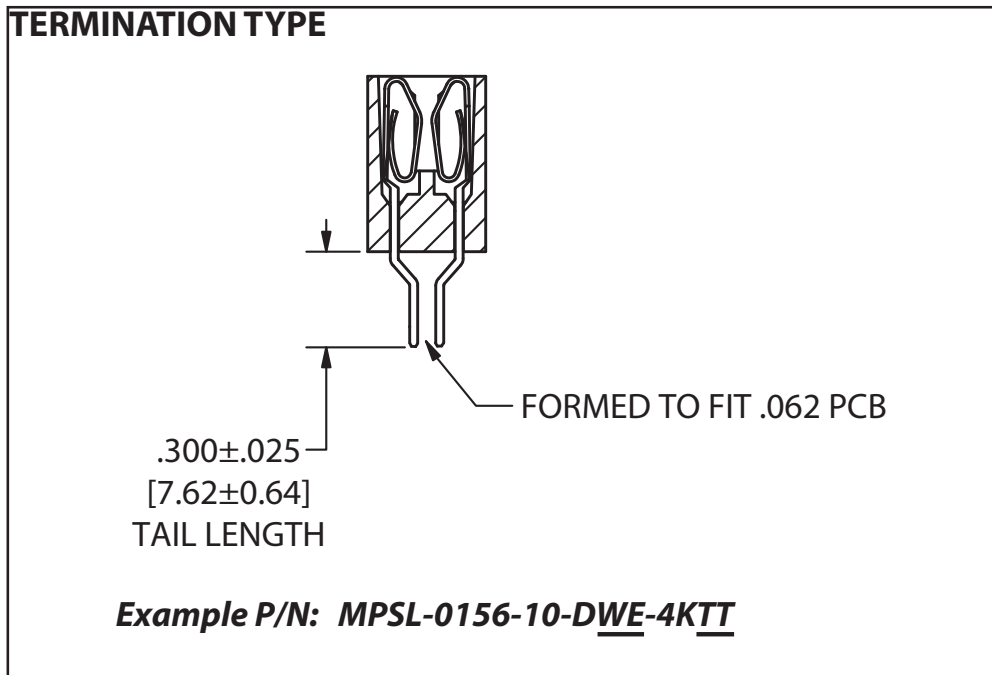
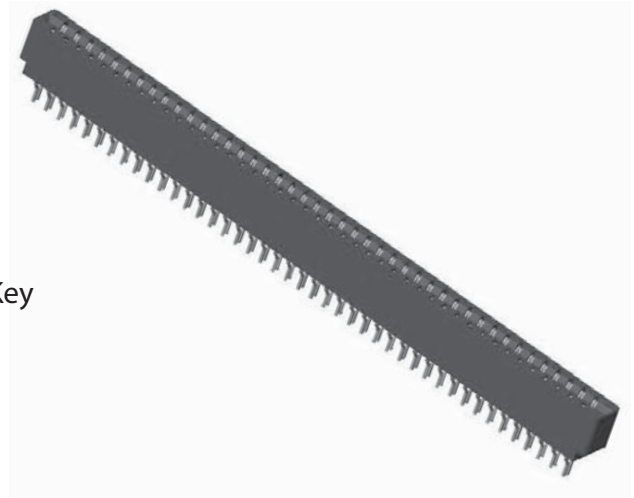
* Consult Factory for availability.



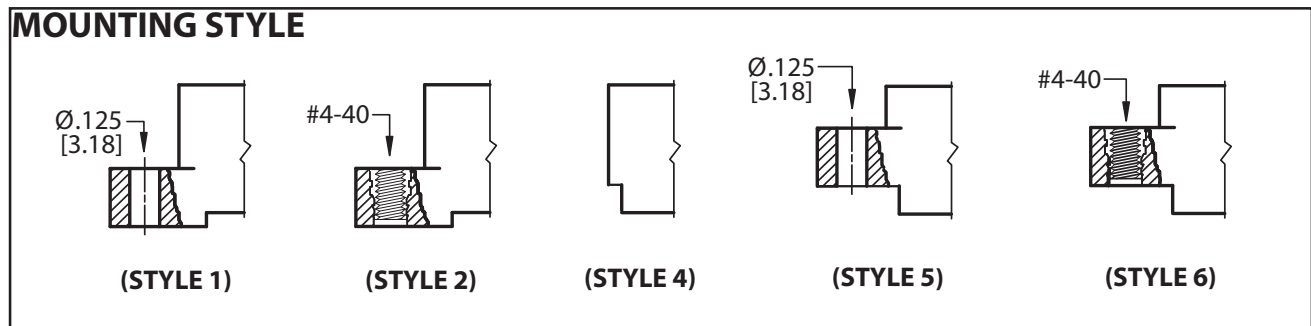
**.156" [3.96 mm] Contact Centers, .550" [13.97 mm] Insulator Height,
.025" [.64 mm] Square Card Extender**

SPECIFICATIONS

- Accommodates $.062" \pm .008"$ [1.57 ± 0.20] PC Board
- Insulator Material available in PBT, PPS or PA9T
- 3 Amp Current Rating per contact
- Insulator / Contact Specifications and Part Number Coding See Page 98-99
- P/N 04-0004-000 for In Between Contact Position Key See Page 142 (Sold Separately)
- Molded-in Key Available - Consult Factory



Micro Plastics Edgards





.156" [3.96 mm] Contact Centers, .550" [13.97 mm] Insulator Height, .025" [.64 mm] Square Card Extender

PART NUMBER CODING

MPSL - 0 156 - 10 - D WE - 4 K TT

PLATING - RoHS Compliant

All Platings are Lead Free and have .000050" Nickel Underplate

Contact Surface Termination

*MPSL = .000010" Gold .000100" Pure Tin, Matte

*MPL = .000100" Overall Pure Tin, Matte

MP = .000010" Overall Gold

***Requires 'K' Modification Code**

INSULATOR MATERIAL **

0 = PBT

CONTACT CENTERS

156 = .156" [3.96mm]

NUMBER OF POSITIONS

Contacts Per Row (See Position Chart Below)

MODIFICATION CODE**

TT = No Standoffs

PLATING MODIFICATION CODE**

K = Required on MPSL or MPL Plating
Omit for MP Plating (Overall Gold)

MOUNTING STYLE (See Opposite Page)

1 = .125" Clearance Hole
2 = #4-40 Threaded Insert
4 = No Mounting
5 = Raised, .125" Clearance Hole
6 = Raised, #4-40 Threaded Insert

TERMINATION TYPE (See Opposite Page)

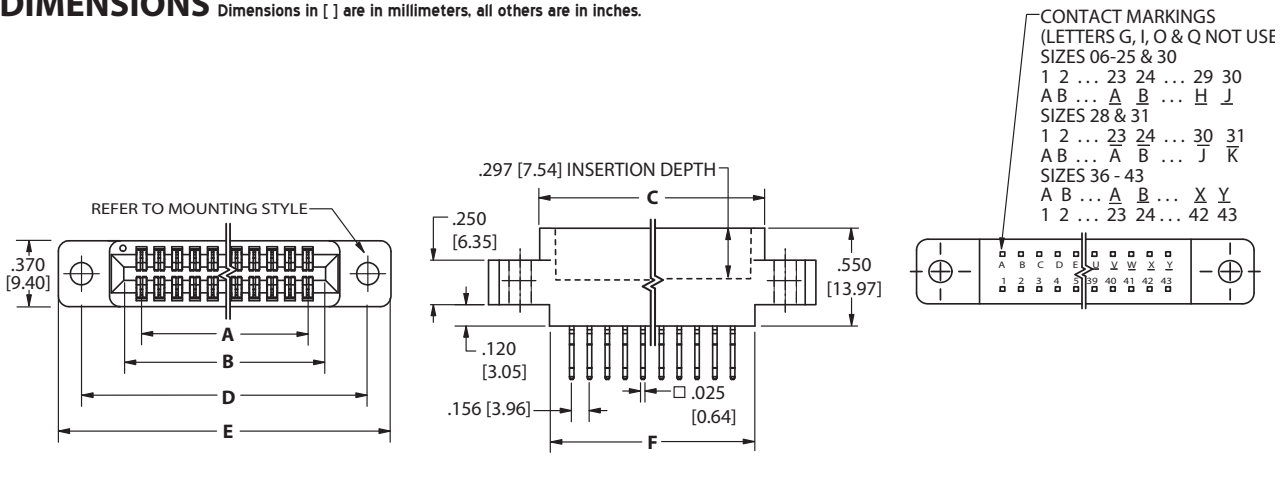
WE = Card Extender

READOUT

D = Dual

DIMENSIONS

Dimensions in [] are in millimeters, all others are in inches.



POSITIONS/ CONTACTS	INCHES						[MILLIMETERS]					
	A±.008	B±.008	C±.015	D±.010	E±.020	F±.015	A±0.20	B±0.20	C±0.38	D±0.25	E±0.51	F±0.38
06/12	0.780	1.102	1.221	1.534	1.784	1.030	19.81	27.99	31.01	38.96	45.31	26.16
08/16	1.092	1.414	1.533	1.846	2.096	1.342	27.74	35.92	38.94	46.89	53.24	34.09
10/20	1.404	1.726	1.845	2.158	2.408	1.654	35.66	43.84	46.86	54.81	61.16	42.01
12/24	1.716	2.038	2.157	2.470	2.720	1.966	43.59	51.77	54.79	62.74	69.09	49.94
15/30	2.184	2.506	2.625	2.938	3.188	2.434	55.47	63.65	66.68	74.63	80.98	61.82
18/36	2.652	2.974	3.093	3.406	3.656	2.902	67.36	75.54	78.56	86.51	92.86	73.71
20/40*	2.964	3.286	3.405	3.718	3.968	3.214	75.29	83.46	86.49	94.44	100.79	81.64
22/44	3.276	3.598	3.717	4.030	4.280	3.526	83.21	91.39	94.41	102.36	108.71	89.56
24/48	3.588	3.910	4.029	4.342	4.592	3.838	91.14	99.31	102.34	110.29	116.64	97.49
25/50	3.744	4.066	4.185	4.498	4.748	3.994	95.10	103.28	106.30	114.25	120.60	101.45
28/56	4.212	4.534	4.653	4.966	5.216	4.462	106.98	115.16	118.19	126.14	132.49	113.33
30/60	4.524	4.846	4.965	5.278	5.528	4.774	114.91	123.09	126.11	134.06	140.41	121.26
31/62	4.680	5.002	5.121	5.434	5.684	4.930	118.87	127.05	130.07	138.02	144.37	125.22
36/72	5.460	5.782	5.901	6.214	6.464	5.710	138.68	146.86	149.89	157.84	164.19	145.03
40/80	6.084	6.406	6.525	6.838	7.088	6.334	154.53	162.71	165.74	173.69	180.04	160.88
43/86	6.552	6.874	6.993	7.306	7.556	6.802	166.42	174.60	177.62	185.57	191.92	172.77

* Consult Factory for availability.

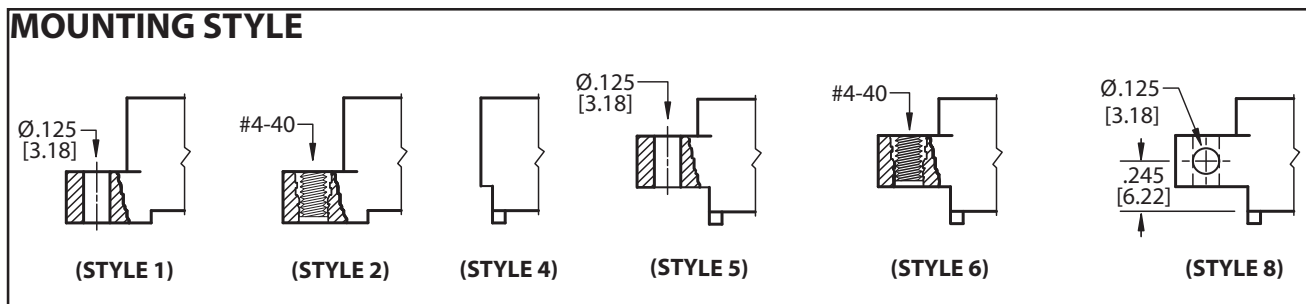
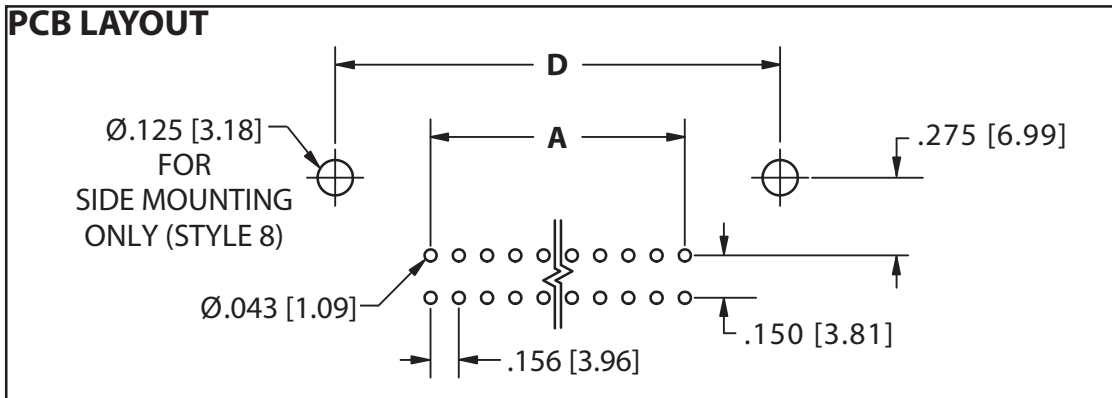
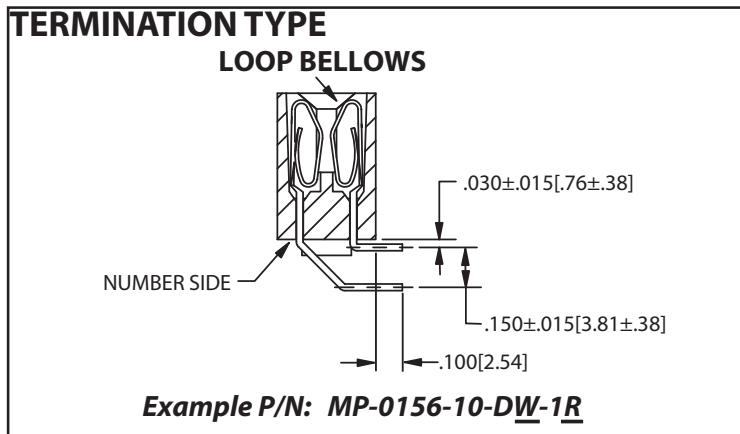
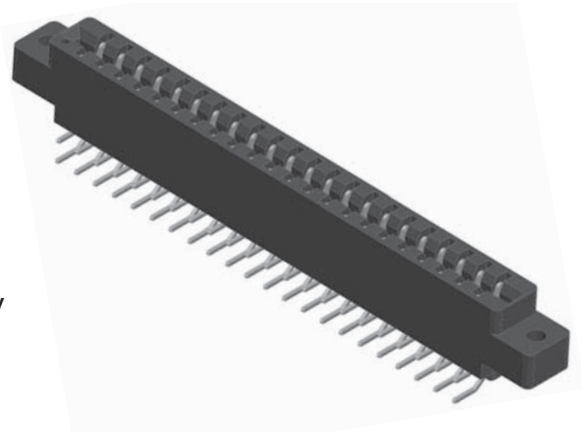
Micro Plastics Edgecards



**.156" [3.96 mm] Contact Centers, .610" [15.49 mm] Insulator Height,
Right Angle**

SPECIFICATIONS

- Accommodates $.062" \pm .008"$ [1.57 ± 0.20] PC Board
- Insulator Material available in PBT, PPS or PA9T
- 3 Amp Current Rating per contact
- Insulator / Contact Specifications and Part Number Coding See Page 98-99
- P/N 04-0004-000 for In Between Contact Position Key See Page 142 (Sold Separately)
- Molded-in Key Available - Consult Factory



Micro Plastics Edgards



.156" [3.96 mm] Contact Centers, .610" [15.49 mm] Insulator Height, Right Angle

PART NUMBER CODING

MPSL - 0 156 - 10 - D W - 1 K R

PLATING - RoHS Compliant

All Platings are Lead Free and have .000050" Nickel Underplate

Contact Surface Termination

*MPSL = .000010" Gold .000100" Pure Tin, Matte

*MPL = .000100" Overall Pure Tin, Matte

MP = .000010" Overall Gold

*Requires 'K' Modification Code

INSULATOR MATERIAL**

0 = PBT

CONTACT CENTERS

156 = .156" [3.96mm]

NUMBER OF POSITIONS

Contacts Per Row (See Position Chart Below)

READOUT

D = Dual

MODIFICATION CODE**

R = Right Angle

PLATING MODIFICATION CODE**

K = Required on MPSL or MPL Plating

Omit for MP Plating (Overall Gold)

MOUNTING STYLE (See Opposite Page)

- 1 = .125" Clearance Hole
- 2 = #4-40 Threaded Insert
- 4 = No Mounting
- 5 = Raised, .125" Clearance Hole
- 6 = Raised, #4-40 Threaded Insert
- 8 = Raised, Side Mounting, .125" Clearance Hole

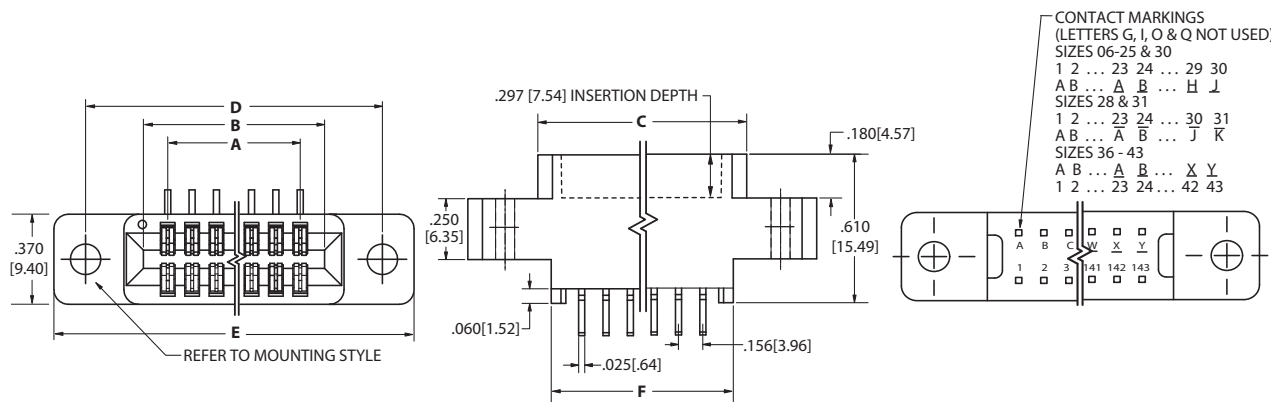
TERMINATION TYPE

LOOP BELLOWS

W = .025 [1.64] Square

DIMENSIONS

Dimensions in [] are in millimeters, all others are in inches.



POSITIONS/ CONTACTS	INCHES						[MILLIMETERS]					
	A±.008	B±.008	C±.015	D±.010	E±.020	F±.015	A±0.20	B±0.20	C±0.38	D±0.25	E±0.51	F±0.38
06/12	0.780	1.102	1.221	1.534	1.784	1.030	19.81	27.99	31.01	38.96	45.31	26.16
08/16	1.092	1.414	1.533	1.846	2.096	1.342	27.74	35.92	38.94	46.89	53.24	34.09
10/20	1.404	1.726	1.845	2.158	2.408	1.654	35.66	43.84	46.86	54.81	61.16	42.01
12/24	1.716	2.038	2.157	2.470	2.720	1.966	43.59	51.77	54.79	62.74	69.09	49.94
15/30	2.184	2.506	2.625	2.938	3.188	2.434	55.47	63.65	66.68	74.63	80.98	61.82
18/36	2.652	2.974	3.093	3.406	3.656	2.902	67.36	75.54	78.56	86.51	92.86	73.71
20/40*	2.964	3.286	3.405	3.718	3.968	3.214	75.29	83.46	86.49	94.44	100.79	81.64
22/44	3.276	3.598	3.717	4.030	4.280	3.526	83.21	91.39	94.41	102.36	108.71	89.56
24/48	3.588	3.910	4.029	4.342	4.592	3.838	91.14	99.31	102.34	110.29	116.64	97.49
25/50	3.744	4.066	4.185	4.498	4.748	3.994	95.10	103.28	106.30	114.25	120.60	101.45
28/56	4.212	4.534	4.653	4.966	5.216	4.462	106.98	115.16	118.19	126.14	132.49	113.33
30/60	4.524	4.846	4.965	5.278	5.528	4.774	114.91	123.09	126.11	134.06	140.41	121.26
31/62	4.680	5.002	5.121	5.434	5.684	4.930	118.87	127.05	130.07	138.02	144.37	125.22
36/72	5.460	5.782	5.901	6.214	6.464	5.710	138.68	146.86	149.89	157.84	164.19	145.03
40/80	6.084	6.406	6.525	6.838	7.088	6.334	154.53	162.71	165.74	173.69	180.04	160.88
43/86	6.552	6.874	6.993	7.306	7.556	6.802	166.42	174.60	177.62	185.57	191.92	172.77

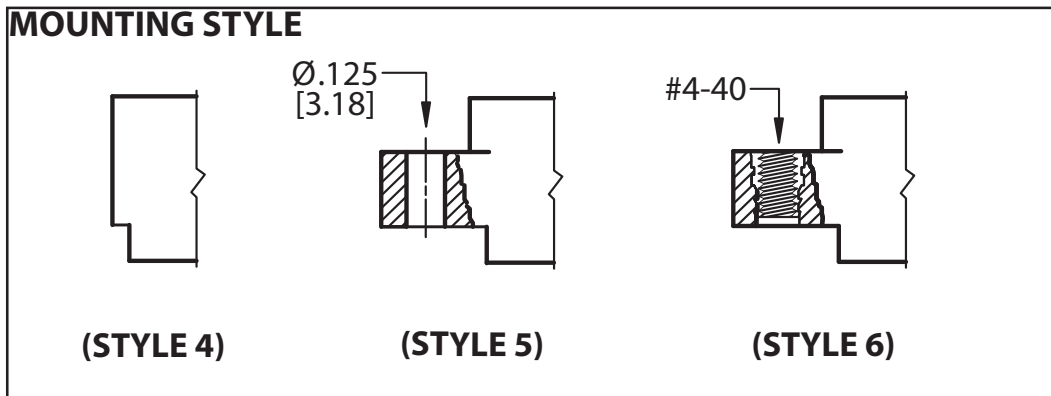
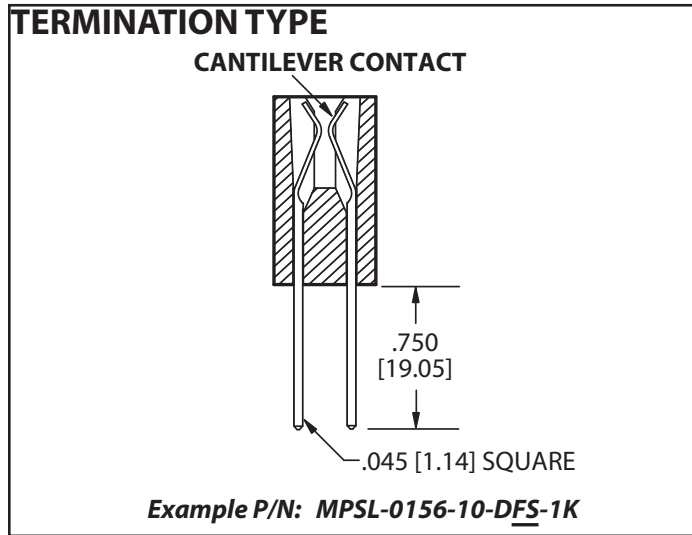
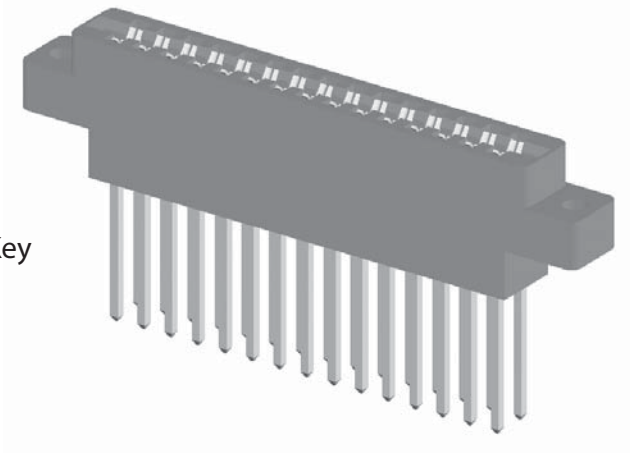
* Consult Factory for availability.



**.156" [3.96 mm] Contact Centers, .720" [18.29 mm] Insulator Height,
.045" [1.14 mm] Square Wire Wrap**

SPECIFICATIONS

- Accommodates $.062" \pm .008"$ [1.57 ± 0.20] PC Board
- Insulator Material available in PBT
- 5 Amp Current Rating per contact
- Insulator / Contact Specifications and Part Number Coding See Page 98-99
- P/N 04-0004-000 for In Between Contact Position Key See Page 142 (Sold Separately)
- Molded-in Key Available - Consult Factory





.156" [3.96 mm] Contact Centers, .720" [18.29 mm] Insulator Height, .045" [1.14 mm] Square Wire Wrap

PART NUMBER CODING

MPSL - 0 156 - 10 - D FS - 4 K

PLATING - RoHS Compliant
All Platings are Lead Free and have .000050" Nickel Underplate

Contact Surface	Termination
*MPSL = .000010" Gold	.000100" Pure Tin, Matte
*MPL = .000100" Overall Pure Tin, Matte	
MP = .000010" Overall Gold	

*Requires 'K' Modification Code

INSULATOR MATERIAL**
0 = PBT

CONTACT CENTERS
156 = .156" [3.96mm]

NUMBER OF POSITIONS
Contacts Per Row (See Position Chart Below)

MODIFICATION CODE**

PLATING MODIFICATION CODE**
K = Required on MPSL or MPL Plating
Omit for MP Plating (Overall Gold)

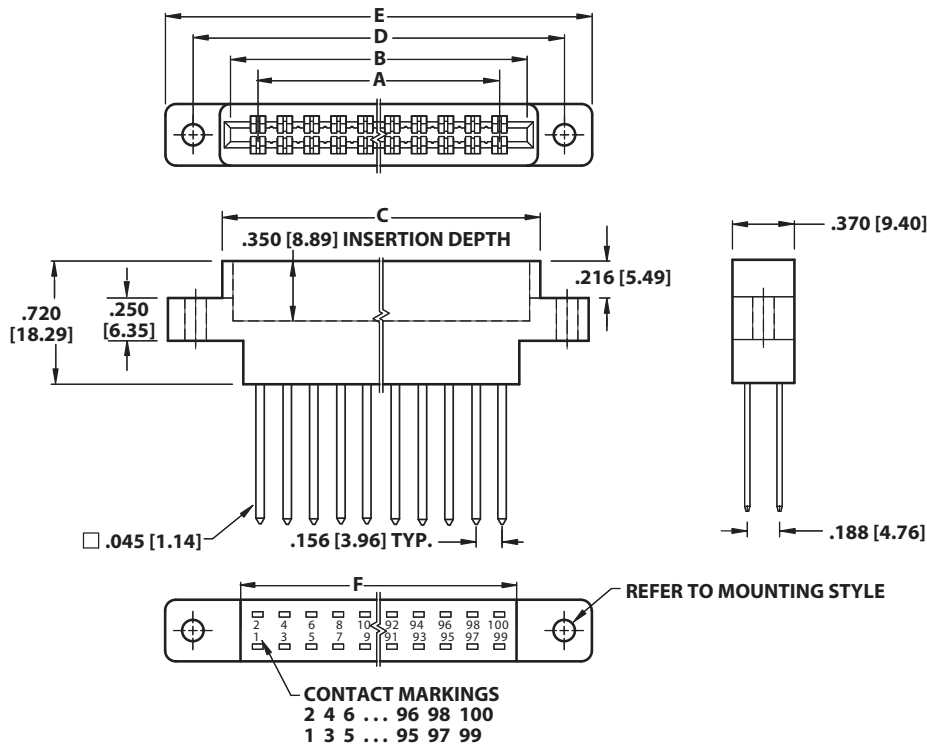
MOUNTING STYLE (See Opposite Page)
4 = No Mounting
5 = Raised, .125" Clearance Hole
6 = Raised, #4-40 Threaded Insert

TERMINATION TYPE (See Opposite Page)
FS = .045 Square Contacts

READOUT
D = Dual

DIMENSIONS

Dimensions in [] are in millimeters, all others are in inches.



POSITIONS/ CONTACTS	INCHES						[MILLIMETERS]					
	A±.008	B±.008	C±.015	D±.010	E±.020	F±.015	A±0.20	B±0.20	C±0.38	D±0.25	E±0.51	F±0.38
10/20	1.404	1.724	1.848	2.158	2.408	1.604	35.66	43.79	46.94	54.81	61.16	40.74
12/24	1.716	2.036	2.160	2.470	2.720	1.916	43.59	51.71	54.86	62.74	69.09	48.67
15/30	2.184	2.504	2.628	2.938	3.188	2.384	55.47	63.60	66.75	74.63	80.98	60.55
18/36	2.652	2.972	3.096	3.406	3.656	2.852	67.36	75.49	78.64	86.51	92.86	72.44
22/44	3.276	3.596	3.720	4.030	4.280	3.476	83.21	91.34	94.49	102.36	108.71	88.29
25/50	3.744	4.064	4.188	4.498	4.748	3.944	95.10	103.23	106.38	114.25	120.60	100.18
28/56	4.212	4.532	4.656	4.966	5.216	4.412	106.98	115.11	118.26	126.14	132.49	112.06
30/60	4.524	4.844	4.968	5.278	5.528	4.724	114.91	123.04	126.19	134.06	140.41	119.99
36/72	5.460	5.780	5.904	6.214	6.464	5.660	138.68	146.81	149.96	157.84	164.19	143.76
43/86	6.552	6.872	6.996	7.306	7.556	6.752	166.42	174.55	177.70	185.57	191.92	171.50

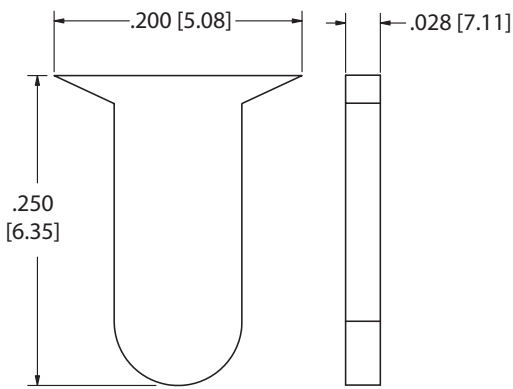
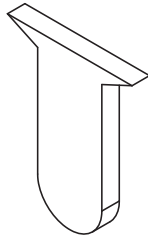


ALL KEYS ORDERED SEPARATELY

IN BETWEEN CONTACT KEY

P/N: 04-0001-000

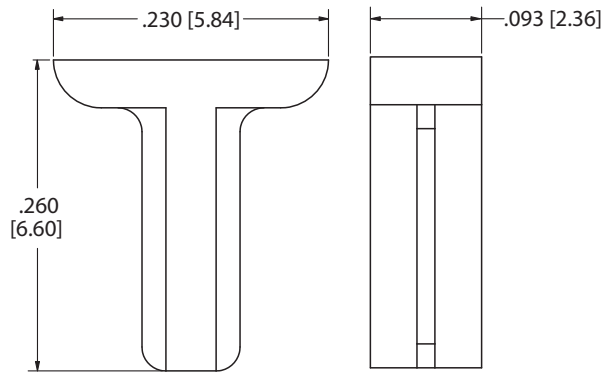
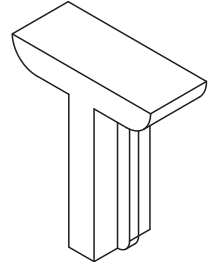
SULLINS PART: PLM-K1



IN CONTACT KEY

P/N: 04-0002-000

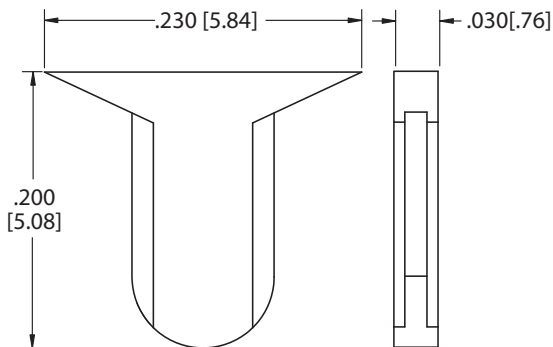
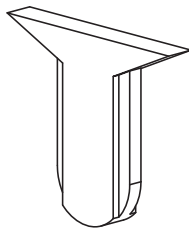
SULLINS PART: PLM-K2



IN BETWEEN CONTACT KEY

P/N: 04-0003-000

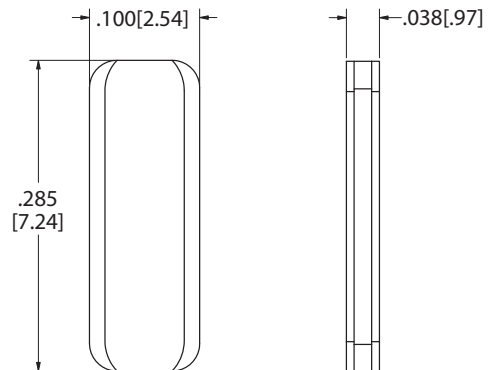
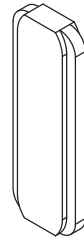
SULLINS PART: PLA-K1



IN BETWEEN CONTACT KEY

P/N: 04-0004-000

SULLINS PART: PLC-K1





Now it is faster and easier to identify connectors when you only have a part number. Simply use your part number to find the pages containing more information about your connector in this catalog and then contact us to place an order.

The underscore sign represents design variations in the part number coding. For example: if your part number is **EBA10DCAS**, you would look for **__ A __ DCA _**, which is on pages 50-51.

SULLINS EDGE CARDS AND HEADERS

Sullins Part Number	Page	Sullins Part Number	Page	Sullins Part Number	Page
__ A __ CA _	50-51	__ A __ TB _ -S664	52-53	__ B66DHA _ -S621	18-19
__ A __ CB _	50-51	__ A __ TE _	48-49	__ B66DHB _ -S621	18-19
__ A __ CC _	50-51	__ A __ TE _ -S734	48-49	__ B66DHF _ -S578	16-17
__ A __ CK _	50-51	__ A __ TK _	50-51	__ B66DHF _ -S621	16-17
__ A __ DCK _ -S288	50-51	__ A __ DTK _ -S288	50-51	__ B66DHH _ -S578	16-17
		__ A __ TM _	50-51	__ B66DHH _ -S621	16-17
__ A __ CM _	50-51	__ A __ TM _ -S273	52-53		
__ A __ DCM _ -S288	50-51	__ A __ TM _ -S664	52-53	__ B66DHL _ -S578	16-17
__ A __ CS _	50-51			__ B66DHL _ -S621	16-17
__ A __ DCS _ -S288	50-51	__ B __ DHA _	14-15	__ B66DHN _ -S578	16-17
__ A __ CT _	50-51	__ B __ DHB _	14-15	__ B66DHN _ -S621	16-17
		__ B __ DHF _	12'-13	__ B66DHR _ -S578	16-17
__ A __ DCT _ -S288	50-51	__ B __ DHH _	12'-13	__ B66DHR _ -S621	16-17
__ A __ CW _	50-51	__ B __ DHL _	12'-13		
__ A __ RA _	48-49	__ B __ DHN _	12'-13	__ B91DHA _ -S621	18-19
__ A __ RA _ -S734	48-49	__ B __ DHR _	12'-13	__ B91DHB _ -S621	18-19
				__ B91DHF _ -S578	16-17
__ A __ RE _	48-49	__ B56DHA _ -S621	18-19	__ B91DHF _ -S621	16-17
__ A __ DRE _ -S13	48-49	__ B56DHB _ -S621	18-19	__ B91DHH _ -S578	16-17
__ A __ RE _ -S734	48-49	__ B56DHF _ -S578	16-17	__ B91DHH _ -S621	16-17
__ A __ RJ _	48-49	__ B56DHF _ -S621	16-17		
__ A __ RJ _ -S734	48-49	__ B56DHH _ -S578	16-17	__ B91DHL _ -S578	16-17
		__ B56DHH _ -S621	16-17	__ B91DHL _ -S621	16-17
__ A __ RM _	50-51	__ B56DHL _ -S578	16-17	__ B91DHN _ -S578	16-17
__ A __ RM _ -S273	52-53	__ B56DHL _ -S621	16-17	__ B91DHN _ -S621	16-17
__ A __ DRM _ -S288	50-51	__ B56DHN _ -S578	16-17	__ B91DHR _ -S578	16-17
__ A __ RM _ -S664	52-53	__ B56DHN _ -S621	16-17	__ B91DHR _ -S621	16-17
__ A __ RS _	50-51	__ B56DHR _ -S578	16-17		
		__ B56DHR _ -S621	16-17	__ B92DHA _ -S250	22-23
__ A __ RS _ -S273	52-53			__ B92DHA _ -S329	22-23
__ A __ DRS _ -S288	50-51	__ B60DHA _ -S621	22-23	__ B92DHB _ -S250	22-23
__ A __ RS _ -S664	52-53	__ B60DHA _ -S793	22-23	__ B92DHB _ -S329	22-23
__ A __ RT _	48-49	__ B60DHB _ -S621	22-23		
__ A __ DRT _ -S13	48-49	__ B60DHB _ -S793	22-23	__ B92DHF _ -S250	20-21
		__ B60DHF _ -S578	20-21	__ B92DHF _ -S329	20-21
__ A __ RT _ -S734	48-49	__ B60DHF _ -S621	20-21	__ B92DHF _ -S330	20-21
__ A __ RX _	48-49			__ B92DHF _ -S378	20-21
__ A __ RX _ -S734	48-49	__ B60DHH _ -S578	20-21		
__ A __ RY _	48-49	__ B60DHH _ -S621	20-21	__ B92DHH _ -S250	20-21
__ A __ DRY _ -S13	48-49	__ B60DHL _ -S578	20-21	__ B92DHH _ -S329	20-21
__ A __ RY _ -S734	48-49	__ B60DHL _ -S621	20-21	__ B92DHH _ -S330	20-21
				__ B92DHH _ -S378	20-21
__ A __ TA _	50-51				
__ A __ TA _ -S273	52-53	__ B60DHN _ -S578	20-21	__ B92DHL _ -S250	20-21
__ A __ TA _ -S664	52-53	__ B60DHN _ -S621	20-21	__ B92DHL _ -S329	20-21
__ A __ TB _	50-51	__ B60DHR _ -S578	20-21	__ B92DHL _ -S330	20-21
__ A __ TB _ -S273	52-53	__ B60DHR _ -S621	20-21	__ B92DHL _ -S378	20-21



PART NUMBER INDEX, Cont.

Sullins Part Number	Page	Sullins Part Number	Page	Sullins Part Number	Page
__ B92DHN _ -S250	20-21	__ C _ _ _ CB _	38-39	__ C _ _ _ DJG _	34-35
__ B92DHN _ -S329	20-21	__ C _ _ _ DCB _ -S189	38-39	__ C _ _ _ DJG _ -S1136	34-35
__ B92DHN _ -S330	20-21	__ C _ _ _ CB _ -S371	44-45	__ C _ _ _ DJW _	34-35
__ B92DHN _ -S378	20-21	__ C _ _ _ CB _ -S605	44-45	__ C _ _ _ DJW _ -S1136	34-35
		__ C _ _ _ CC _	38-39	__ C _ _ _ DJX _	34-35
__ B92DHR _ -S250	20-21	__ C _ _ _ DCC _ -S189	38-39	__ C _ _ _ DJX _ -S1136	34-35
__ B92DHR _ -S329	20-21	__ C _ _ _ CC _ -S371	44-45		
__ B92DHR _ -S330	20-21	__ C _ _ _ CC _ -S605	44-45	__ C _ _ _ DJY _	34-35
__ B92DHR _ -S378	20-21			__ C _ _ _ DJY _ -S1136	34-35
		__ C _ _ _ CK _	38-39	__ C _ _ _ DJZ _	34-35
__ B106DHA _ -S621	18-19	__ C _ _ _ DCK _ -S288	38-39	__ C _ _ _ DJZ _ -S1136	34-35
__ B106DHB _ -S621	18-19	__ C _ _ _ CM _	38-39		
__ B106DHF _ -S578	16-17	__ C _ _ _ DCM _ -S288	38-39	__ C _ _ _ KA _	38-39
__ B106DHF _ -S621	16-17	__ C _ _ _ CM _ -S371	44-45	__ C _ _ _ DKA _ -S189	38-39
__ B106DHH _ -S578	16-17	__ C _ _ _ CM _ -S420	44-45	__ C _ _ _ DKA _ -S1191	42-43
__ B106DHH _ -S621	16-17			__ C _ _ _ DKA _ -S1243	42-43
		__ C _ _ _ DCS _	38-39		
__ B106DHL _ -S578	16-17	__ C _ _ _ DCS _ -S36	46-47	__ C _ _ _ KD _	38-39
__ B106DHL _ -S621	16-17	__ C _ _ _ DCS _ -S288	38-39	__ C _ _ _ DKD _ -S1191	42-43
__ B106DHN _ -S578	16-17	__ C _ _ _ CS _ -S371	44-45	__ C _ _ _ DKD _ -S1243	42-43
__ B106DHN _ -S621	16-17				
__ B106DHR _ -S578	16-17	__ C _ _ _ CS _ -S420	44-45	__ C _ _ _ KE _	38-39
__ B106DHR _ -S621	16-17	__ C _ _ _ CS _ -S518	44-45	__ C _ _ _ KE _ -S189	38-39
		__ C _ _ _ CS _ -S524	44-45	__ C _ _ _ KE _ -S1191	42-43
__ B _ _ _ DKB _	26-27	__ C _ _ _ DCS _ -S527	46-47	__ C _ _ _ KE _ -S1243	42-43
__ B _ _ _ DKB _ -S1075	26-27				
__ B _ _ _ DKB _ -S1076	26-27	__ C _ _ _ CT _	38-39	__ C _ _ _ KJ _	38-39
__ B _ _ _ DKB _ -S1176	26-27	__ C _ _ _ DCT _ -S288	38-39	__ C _ _ _ DKJ _ -S189	38-39
		__ C _ _ _ CT _ -S371	44-45	__ C _ _ _ DKJ _ -S1191	42-43
__ B _ _ _ DLR _	24-25	__ C _ _ _ CT _ -S420	44-45	__ C _ _ _ DKJ _ -S1243	42-43
__ B _ _ _ DLT _	24-25	__ C _ _ _ CT _ -S518	44-45		
__ B _ _ _ DLR _ -S1176	24-25	__ C _ _ _ CT _ -S524	44-45	__ C _ _ _ KM _	38-39
__ B _ _ _ DLT _ -S1176	24-25			__ C _ _ _ DKM _ -S1191	42-43
		__ C _ _ _ CW _	38-39	__ C _ _ _ DKM _ -S1243	42-43
__ C _ _ _ DAA _	90-91	__ C _ _ _ CW _ -S371	44-45	__ C _ _ _ DKN _	38-39
__ C _ _ _ DAB _	90-91	__ C _ _ _ CW _ -S420	44-45	__ C _ _ _ DKN _ -S1191	42-43
__ C _ _ _ DAB _ -M30	90-91	__ C _ _ _ CW _ -S518	44-45	__ C _ _ _ DKN _ -S1243	42-43
__ C _ _ _ DAC _	90-91	__ C _ _ _ CW _ -S524	44-45		
__ C _ _ _ DAD _	90-91			__ C _ _ _ DKR _	38-39
__ C _ _ _ DAE _	90-91	__ C _ _ _ DFA _	90-91	__ C _ _ _ DKR _ -S1191	42-43
		__ C _ _ _ DFB _	90-91	__ C _ _ _ DKR _ -S1243	42-43
__ C _ _ _ DAF _	90-91	__ C _ _ _ DFB _ -M30	90-91	__ C _ _ _ KS _	38-39
__ C _ _ _ DAG _	90-91	__ C _ _ _ DFC _	90-91	__ C _ _ _ DKS _ -S1191	42-43
__ C _ _ _ DAH _	90-91			__ C _ _ _ DKS _ -S1243	42-43
__ C _ _ _ DBA _	90-91	__ C _ _ _ DFD _	90-91		
__ C _ _ _ DBB _	90-91	__ C _ _ _ DFE _	90-91	__ C _ _ _ KU _	38-39
		__ C _ _ _ DGA _	90-91	__ C _ _ _ DKU _ -S189	38-39
__ C _ _ _ DBC _	90-91	__ C _ _ _ DGB _	90-91	__ C _ _ _ DKU _ -S1191	42-43
__ C _ _ _ DBD _	90-91			__ C _ _ _ DKU _ -S1243	42-43
__ C _ _ _ DBE _	90-91	__ C _ _ _ DJB _	34-35		
__ C _ _ _ CA _	38-39	__ C _ _ _ DJB _ -S1136	34-35	__ C _ _ _ DPB _	36-37
__ C _ _ _ DCA _ -S189	38-39	__ C _ _ _ DJC _	34-35	__ C _ _ _ DPD _	36-37
__ C _ _ _ CA _ -S371	44-45	__ C _ _ _ DJC _ -S1136	34-35	__ C _ _ _ DPE _	36-37
__ C _ _ _ CA _ -S605	44-45	__ C _ _ _ DJF _	34-35	__ C _ _ _ DPF _	36-37
__ C _ _ _ DCA _ -S757	46-47	__ C _ _ _ DJF _ -S1136	34-35	__ C _ _ _ DPG _	36-37



Sullins Part Number	Page	Sullins Part Number	Page	Sullins Part Number	Page
__ C __ DPJ _	36-37	__ C __ TB _ -S371	44-45	__ C __ SBB _	90-91
__ C __ DPM _	36-37	__ C __ TB _ -S605	44-45	__ C __ SBC _	90-91
__ C __ DPN _	36-37	__ C __ TB _ -S664	40-41	__ C __ SBD _	90-91
__ C __ DPP _	36-37	__ C __ TE _	30-31	__ C __ SBE _	90-91
__ C __ DPR _	36-37	__ C __ TE _ -S734	30-31	__ C __ SBF _	90-91
__ C __ DPS _	36-37	__ C __ TK _	38-39	__ C __ SBS _ -M89	90-91
__ C __ DPU _	36-37	__ C __ DTK _ -S288	38-39	__ C __ SBG _	90-91
__ C __ RA _	30-31	__ C __ TK _ -S371	44-45	__ C __ SFA _	90-91
__ C __ RA _ -S93	32-33	__ C __ TK _ -S420	44-45	__ C __ SFB _	90-91
__ C __ RA _ -S734	30-31	__ C __ TK _ -S518	44-45	__ C __ SFB _ -M30	90-91
__ C __ RE _	30-31	__ C __ TK _ -S524	44-45	__ C __ SFC _	90-91
__ C __ DRE _ -S13	30-31	__ C __ TM _	38-39	__ C __ SFD _	90-91
__ C __ RE _ -S93	32-33	__ C __ DTM _ -S189	38-39	__ C __ SFE _	90-91
__ C __ RE _ -S734	30-31	__ C __ TM _ -S273	40-41	__ C __ SGA _	90-91
__ C __ RM _	38-39	__ C __ TM _ -S371	44-45	__ C __ SGB _	90-91
__ C __ RM _ -S273	40-41	__ C __ TM _ -S605	44-45	__ C __ SGC _	90-91
__ C __ DRM _ -S288	38-39	__ C __ TM _ -S664	40-41	__ C __ SGD _	90-91
__ C __ RM _ -S371	44-45	__ C __ DZA _	90-91	__ C __ SGS _ -M89	90-91
__ C __ RM _ -S420	44-45	__ C __ DZC _	90-91	__ C __ SZA _	90-91
__ C __ RM _ -S664	40-41	__ C __ DZD _	90-91	__ C __ SZC _	90-91
__ C __ RS _	38-39	__ C __ MMA _	28-29	__ C __ SZD _	90-91
__ C __ RS _ -S273	40-41	__ C __ MMA _ -S189	28-29	__ E __ DHA _	6-7
__ C __ DRS _ -S288	38-39	__ C __ MMB _	28-29	__ E __ DHB _	6-7
__ C __ RS _ -S371	44-45	__ C __ MMB _ -S189	28-29	__ E __ DHF _	4-5
__ C __ RS _ -S420	44-45	__ C __ MMD _	28-29	__ E __ DHH _	4-5
__ C __ RS _ -S518	44-45	__ C __ MMD _ -S189	28-29	__ E __ DHHN-T911	8-9
__ C __ RS _ -S524	44-45	__ C __ MMJ _	28-29	__ E __ DHHN-T921	8-9
__ C __ RS _ -S664	40-41	__ C __ MMJ _ -S189	28-29	__ E __ DHHN-T931	8-9
__ C __ RT _	30-31	__ C __ MMK _	28-29	__ E __ DHR _	4-5
__ C __ DRT _ -S13	30-31	__ C __ MMK _ -S189	28-29	__ E __ DHRN-T941	10-11
__ C __ RT _ -S93	32-33	__ C __ MMM _	28-29	__ E __ DHRN-T9410	10-11
__ C __ RT _ -S734	30-31	__ C __ MMN _	28-29	__ E __ DHRQ-T941	10-11
__ C __ RX _	30-31	__ C __ MMR _	28-29	__ J __ MC _	54-55
__ C __ RX _ -S734	30-31	__ C __ MMS _	28-29	__ J __ SC _	54-55
__ C __ RY _	30-31	__ C __ MMV _	28-29	__ K __ DKB _	56-57
__ C __ DRY _ -S13	30-31	__ C __ MMV _ -S189	28-29	__ K __ DKB _ -S1075	56-57
__ C __ RY _ -S93	32-33	__ C __ MMW _	28-29	__ K __ DKB _ -S1076	56-57
__ C __ RY _ -S734	30-31	__ C __ SAA _	90-91	__ M __ CA _	66-67
__ C __ TA _	38-39	__ C __ SAB _	90-91	__ M __ DCA _ -S189	66-67
__ C __ DTA _ -S189	38-39	__ C __ SAB _ -M30	90-91	__ M __ CB _	66-67
__ C __ TA _ -S273	40-41	__ C __ SAC _	90-91	__ M __ DCB _ -S189	66-67
__ C __ TA _ -S371	44-45	__ C __ SAD _	90-91	__ M __ CC _	66-67
__ C __ TA _ -S605	44-45	__ C __ SAE _	90-91	__ M __ DCC _ -S189	66-67
__ C __ TA _ -S664	40-41	__ C __ SAF _	90-91	__ M __ CK _	66-67
__ C __ TB _	38-39	__ C __ SAG _	90-91	__ M __ DCK _ -S288	66-67
__ C __ DTB _ -S189	38-39	__ C __ SAH _	90-91	__ M __ CM _	66-67
__ C __ TB _ -S273	40-41	__ C __ SBA _	90-91		

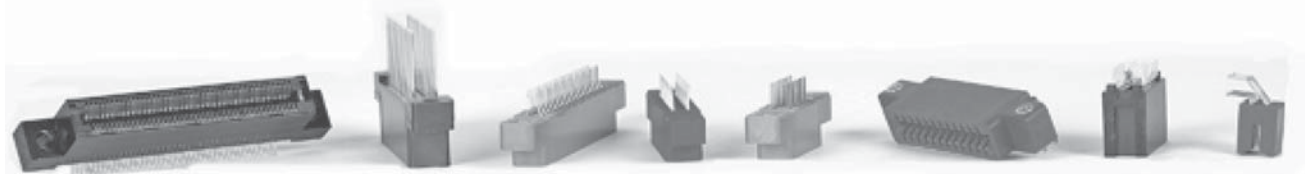


PART NUMBER INDEX, Cont.

Sullins Part Number	Page	Sullins Part Number	Page	Sullins Part Number	Page
-- M _ DCM _ -S288	66-67	-- M _ RP _ -S37	62-63	-- M _ MMA _	58-59
-- M _ CS _	66-67	-- M _ RP _ -S92	62-63	-- M _ MMA _ -S189	58-59
-- M _ DCS _ -S288	66-67	-- M _ RS _	66-67	-- M _ MMB _	58-59
-- M _ CT _	66-67	-- M _ RS _ -S273	68-69	-- M _ MMB _ -S189	58-59
-- M _ DCT _ -S288	66-67	-- M _ DRS _ -S288	66-67	-- M _ MMD _	58-59
-- M _ CW _	66-67	-- M _ RS _ -S664	68-69	-- M _ MMD _ -S189	58-59
-- M _ DCW _ -S288	66-67				
		-- M _ RT _	60-61	-- M _ MMJ _	58-59
-- M _ DJBN	64-65	-- M _ DRT _ -S13	60-61	-- M _ MMJ _ -S189	58-59
-- M _ DJBN-S1136	64-65	-- M _ RT _ -S37	62-63	-- M _ MMK _	58-59
-- M _ DJCN	64-65	-- M _ RT _ -S92	62-63	-- M _ MMK _ -S189	58-59
-- M _ DJCN-S1136	64-65	-- M _ RU _	60-61	-- M _ MMM _	58-59
		-- M _ RU _ -S37	62-63		
-- M _ DJWN	64-65	-- M _ RU _ -S92	62-63	-- M _ MMN _	58-59
-- M _ DJWN-S1136	64-65			-- M _ MMR _	58-59
-- M _ DJXN	64-65	-- M _ RX _	60-61	-- M _ MMS _	58-59
-- M _ DJXN-S1136	64-65	-- M _ RX _ -S37	62-63	-- M _ MMV _	58-59
		-- M _ RX _ -S92	62-63	-- M _ MMV _ -S189	58-59
-- M _ KA _	66-67	-- M _ RY _	60-61	-- M _ MMW _	58-59
-- M _ DKA _ -S189	66-67	-- M _ DRY _ -S13	60-61		
-- M _ KD _	66-67	-- M _ RY _ -S37	62-63	_ P _ C _ 1KFX _ -RC	92-93
-- M _ KE _	66-67	-- M _ RY _ -S92	62-63	_ P _ C _ 1LGB _ -RC	92-93
-- M _ DKE _ -S189	66-67			_ P _ C _ 2LJB _ -RC	92-93
		-- M _ SA _	60-61		
-- M _ KJ _	66-67	-- M _ SA _ -S37	62-63	_ PPN _ 1BFC _ -RC	86-87
-- M _ DKJ _ -S189	66-67	-- M _ SA _ -S92	62-63	_ PPN _ 1BFL _ -RC	86-87
-- M _ KK _	70-71	-- M _ SE _	60-61	_ PPN _ 1FGG _ -RC	86-87
-- M _ KL _	70-71	-- M _ DSE _ -S13	60-61	_ PPN _ 2AFC _ -RC	86-87
		-- M _ SE _ -S37	62-63	_ PPN _ 2AFE _ -RC	86-87
-- M _ KM _	66-67	-- M _ SE _ -S92	62-63	_ PPN _ 2FFK _ -RC	86-87
-- M _ DKN _	66-67				
-- M _ DKR _	66-67	-- M _ DSU _	60-61	_ PPN _ 2FJF _ -RC	86-87
-- M _ KS _	66-67	-- M _ DSU _ -S37	62-63	_ PPN _ 2GFN _ -RC	86-87
-- M _ KU _	66-67	-- M _ DSU _ -S92	62-63	_ PPN _ 4EFC _ -RC	86-87
-- M _ DKU _ -S189	66-67	-- M _ DSX _	60-61	_ RPN _ 1PAE _ -RC	84-85
		-- M _ DSX _ -S37	62-63		
-- M _ RA _	60-61	-- M _ DSX _ -S92	62-63	_ RPN _ 1PAR _ -RC	84-85
-- M _ RA _ -S37	62-63			_ RPN _ 2MAM _ -RC	84-85
-- M _ RA _ -S92	62-63	-- M _ TA _	66-67	_ RPN _ 2PAE _ -RC	84-85
-- M _ RE _	60-61	-- M _ DTA _ -S189	66-67	_ RPN _ 2PAR _ -RC	84-85
-- M _ RE _ -S37	62-63	-- M _ TA _ -S273	68-69	_ RPN _ 4RCC _ -RC	84-85
-- M _ RE _ -S92	62-63	-- M _ TA _ -S664	68-69		
				GRPB _ 1VWCN-RC	76-77
-- M _ RF _	60-61	-- M _ TB _	66-67	GRPB _ 1VWTC-RC	76-77
-- M _ RK _	60-61	-- M _ DTB _ -S189	66-67	GRPB _ 1VWVN-RC	76-77
-- M _ DRK _ -S13	60-61	-- M _ TB _ -S273	68-69		
-- M _ RK _ -S37	62-63	-- M _ TB _ -S664	68-69	GRPB _ 2MWCN-RC	76-77
-- M _ RK _ -S92	62-63			GRPB _ 2VWQP-RC	76-77
		-- M _ TK _	66-67	GRPB _ 2VWQS-RC	76-77
-- M _ RM _	66-67	-- M _ DTK _ -S288	66-67	GRPB _ 2VWVN-RC	76-77
-- M _ RM _ -S273	68-69	-- M _ TM _	66-67		
-- M _ DRM _ -S288	66-67	-- M _ DTM _ -S189	66-67	LPPB _ 1NFFN-RC	78-79
-- M _ RM _ -S664	68-69	-- M _ TM _ -S273	68-69	LPPB _ 1NFSC-RC	78-79
		-- M _ TM _ -S664	68-69	LPPB _ 1NGCN-RC	78-79
-- M _ RP _	60-61	-- M _ WW _	70-71	LPPB _ 2CFFN-RC	78-79



Sullins Part Number	Page	Sullins Part Number	Page	Sullins Part Number	Page
LPPB __ 2NFSP-RC	78-79	SFH11-P __ C-D __ -ST-GY-M181	95	SFM210- __ __ E-S __ -ST-BK	74-75
LPPB __ 2NFSS-RC	78-79	SFH21-PP _ N-D __ -ID-BK	89	SFM210- __ __ E-S __ -SC-BK	74-75
PLA-K1	142	SFH21-PP _ N-D __ -ID-BK-M181	89	SFM210- __ __ E-S __ -SD-BK	74-75
PLC-K1	142	SFH21-PP _ N-D __ -ID-GY	89	SIP110-PP _ C-D __ -SK-BK	97
PLM-K2	142	SFH21-PP _ N-D __ -ID-GY-M181	89	SIP110-PP _ C-D __ -ST-BK	97
SBH11-PBPC-D __ -RA-BK	94	SFH210-PP _ C-D __ -ID-BK	96	SMH100- __ __ E-D __ - RA-BK	72-73
SBH11-NBPC-D __ -SM-BK	94	SFH210-PP _ C-D __ -ID-BK-M181	96	SMH100- __ __ E-D __ -ST-BK	72-73
SBH11-PBPC-D __ -ST-BK	94	SFH210-PP _ C-D __ -ID-BK-M207	96	SMH100- __ __ E-S __ -ST-BK	72-73
SBH21-NBPN-D __ -RA-BK	88	SFH210-PP _ C-D __ -ID-BK-M208	96	SMH101- __ __ E-D __ -SM-BK	72-73
SBH21-NBPN-D __ -SM-BK	88	SFH213-PP _ C-D __ -ID-BK	96	SMH101- __ __ E-D __ -SP-BK	72-73
SBH21-NBPN-D __ -ST-BK	88	SFH213-PP _ C-D __ -ID-BK-M181	96	SMH101- __ __ E-S __ -RA-BK	72-73
SBH31-NBPB-D __ -RA-BK	80	SFH213-PP _ N-D __ -ID-BK	89	SMH101- __ __ E-S __ -SC-BK	72-73
SBH31-NBPB-D __ -SM-BK	80	SFH213-PP _ N-D __ -ID-BK-M181	89	SMH101- __ __ E-S __ -SD-BK	72-73
SBH31-NBPB-D __ -SP-BK	80	SFH213-PP _ N-D __ -ID-GY	89	SMH102- __ __ E-D __ -SM-BK	72-73
SBH31-NBPB-D __ -ST-BK	80	SFH213-PP _ N-D __ -ID-GY-M181	89	SMH102- __ __ E-D __ -SP-BK	72-73
SBH41-NBPB-D __ -RA-BK	82	SFH31-NP _ B-D __ -SP-BK	81	SMH150- __ __ E-D __ -ST-BK	72-73
SBH41-NBPB-D __ -SM-BK	82	SFH31-NP _ B-D __ -SP-GY	81	SMH151- __ __ E-D __ -SM-BK	72-73
SBH41-NBPB-D __ -SP-BK	82	SFH41-PP _ B-D __ -ID-BK	83	SMH151- __ __ E-D __ -SP-BK	72-73
SBH41-NBPB-D __ -ST-BK	82	SFH41-PP _ B-D __ -ID-GY	83	SMH152- __ __ E-D __ -SM-BK	72-73
SFH11-P __ C-D __ -RA-BK	95	SFH413-PP _ B-D __ -ID-BK	83	SMH152- __ __ E-D __ -SP-BK	72-73
SFH11-P __ C-D __ -RA-BK-M181	95	SFH413-PP _ B-D __ -ID-GY	83	SPC02SYAN	90-91
SFH11-P __ C-D __ -RA-GY	95	SFM210- __ __ E-D __ -SM-BK	74-75	SPN02SYBN-RC	84-85
SFH11-P __ C-D __ -RA-GY-M181	95	SFM210- __ __ E-D __ -SP-BK	74-75	SSC02SYAN	90-91
SFH11-P __ C-D __ -ST-BK	95	SFM210- __ __ E-D __ -ST-BK	74-75	STC02SYAN	90-91
SFH11-P __ C-D __ -ST-BK-M181	95	SFM315- __ __ E-D __ -SM-BK	74-75	STN02SYBN-RC	84-85
SFH11-P __ C-D __ -ST-GY	95	SFM315- __ __ E-D __ -SP-BK	74-75		





MICRO PLASTICS PART NUMBER INDEX

Micro Plastics Part Number	Page
04-0001-000	142
04-0002-000	142
04-0003-000	142
04-0004-000	142
EMP- _ 156- _ _ -DP- _ _	132-133
EMP- _ 156- _ _ -DPE- _ _	130-131
EMPL- _ 156- _ _ -DP- _ K _	132-133
EMPL- _ 156- _ _ -DPE- _ K _	130-131
EMPSL- _ 156- _ _ -DP- _ K _	132-133
EMPSL- _ 156- _ _ -DPE- _ K _	130-131
MP- _ 100- _ _ -DP- _ _	104-105
MP- _ 100- _ _ -DR- _ _	106-107
MP- _ 100- _ _ -DS- _ _	100-101
MP- _ 100- _ _ -DS- _ X9 _	100-101
MP- _ 100- _ _ -DSE- _ _	102-103
MP- _ 100- _ _ -DW- _ _	106-107
MP- _ 100- _ _ -DW- _ R _	110-111
MP- _ 100- _ _ -DWE- _ _	108-109
MP- _ 100-18/31-DR- _ _	112-113
MP- _ 100-18/31-DW- _ _	112-113
MP- _ 125- _ _ -DP- _ _	118-119
MP- _ 125- _ _ -DR- _ _	120-121
MP- _ 125- _ _ -DS- _ _	114-115
MP- _ 125- _ _ -DS- _ X9 _	114-115
MP- _ 125- _ _ -DSE- _ _	116-117
MP- _ 125- _ _ -DW- _ _	120-121
MP- _ 125- _ _ -DW- _ R _	124-125
MP- _ 125- _ _ -DWE- _ _	122-123
MP- _ 150- _ _ -DR- _ _	126-127
MP- _ 150- _ _ -DW- _ _	126-127
MP- _ 156- _ _ -DFS- _ _	140-141
MP- _ 156- _ _ -DP- _ _	132-133
MP- _ 156- _ _ -DR- _ _	134-135
MP- _ 156- _ _ -DS- _ _	128-129
MP- _ 156- _ _ -DS- _ X9 _	128-129
MP- _ 156- _ _ -DSE- _ _	130-131
MP- _ 156- _ _ -DW- _ _	134-135
MP- _ 156- _ _ -DW- _ R _	138-139
MP- _ 156- _ _ -DWE- _ _	136-137
MPL- _ 100- _ _ -DP- _ K _	104-105
MPL- _ 100- _ _ -DR- _ K _	106-107
MPL- _ 100- _ _ -DS- _ K _	100-101
MPL- _ 100- _ _ -DS- _ X9K _	100-101
MPL- _ 100- _ _ -DSE- _ K _	102-103
MPL- _ 100- _ _ -DW- _ K _	106-107
MPL- _ 100- _ _ -DW- _ KR _	110-111
MPL- _ 100- _ _ -DWE- _ K _	108-109
MPL- _ 100-18/31-DR- _ K _	112-113
MPL- _ 100-18/31-DW- _ K _	112-113
MPL- _ 125- _ _ -DR- _ K _	120-121
MPL- _ 125- _ _ -DS- _ K _	114-115
MPL- _ 125- _ _ -DS- _ X9K _	114-115
MPL- _ 125- _ _ -DSE- _ K _	116-117
MPL- _ 125- _ _ -DW- _ K _	120-121
MPL- _ 125- _ _ -DW- _ KR _	124-125
MPL- _ 125- _ _ -DWE- _ K _	122-123
MPL- _ 150- _ _ -DR- _ K _	126-127
MPL- _ 150- _ _ -DW- _ K _	126-127
MPL- _ 156- _ _ -DFS- _ K _	140-141
MPL- _ 156- _ _ -DP- _ K _	132-133
MPL- _ 156- _ _ -DR- _ K _	134-135
MPL- _ 156- _ _ -DS- _ X9K _	128-129
MPL- _ 156- _ _ -DS- _ K _	128-129
MPL- _ 156- _ _ -DSE- _ K _	130-131
MPL- _ 156- _ _ -DW- _ K _	134-135
MPL- _ 156- _ _ -DW- _ KR _	138-139
MPL- _ 156- _ _ -DWE- _ K _	136-137

Micro Plastics Part Number	Page
MPL- _ 100- _ _ -DWE- _ K _	108-109
MPL- _ 100-18/31-DR- _ K _	112-113
MPL- _ 100-18/31-DW- _ K _	112-113
MPL- _ 125- _ _ -DP- _ K _	118-119
MPL- _ 125- _ _ -DR- _ K _	120-121
MPL- _ 125- _ _ -DS- _ K _	114-115
MPL- _ 125- _ _ -DS- _ X9K _	114-115
MPL- _ 125- _ _ -DSE- _ K _	116-117
MPL- _ 125- _ _ -DW- _ K _	120-121
MPL- _ 125- _ _ -DW- _ KR _	124-125
MPL- _ 125- _ _ -DWE- _ K _	122-123
MPL- _ 150- _ _ -DR- _ K _	126-127
MPL- _ 150- _ _ -DW- _ K _	126-127
MPL- _ 156- _ _ -DFS- _ K _	140-141
MPL- _ 156- _ _ -DP- _ K _	132-133
MPL- _ 156- _ _ -DR- _ K _	134-135
MPL- _ 156- _ _ -DS- _ K _	128-129
MPL- _ 156- _ _ -DS- _ X9K _	128-129
MPL- _ 156- _ _ -DSE- _ K _	130-131
MPL- _ 156- _ _ -DW- _ K _	134-135
MPL- _ 156- _ _ -DW- _ KR _	138-139
MPL- _ 156- _ _ -DWE- _ K _	136-137
MPSL- _ 100- _ _ -DR- _ K _	106-107
MPSL- _ 100- _ _ -DS- _ K _	100-101
MPSL- _ 100- _ _ -DS- _ X9K _	100-101
MPSL- _ 100- _ _ -DSE- _ K _	102-103
MPSL- _ 100- _ _ -DW- _ K _	106-107
MPSL- _ 100- _ _ -DW- _ KR _	110-111
MPSL- _ 100- _ _ -DWE- _ K _	108-109
MPSL- _ 100-18/31-DR- _ K _	112-113
MPSL- _ 100-18/31-DW- _ K _	112-113
MPSL- _ 125- _ _ -DR- _ K _	120-121
MPSL- _ 125- _ _ -DS- _ K _	114-115
MPSL- _ 125- _ _ -DS- _ X9K _	114-115
MPSL- _ 125- _ _ -DSE- _ K _	116-117
MPSL- _ 125- _ _ -DW- _ K _	120-121
MPSL- _ 125- _ _ -DW- _ KR _	124-125
MPSL- _ 125- _ _ -DWE- _ K _	122-123
MPSL- _ 150- _ _ -DR- _ K _	126-127
MPSL- _ 150- _ _ -DW- _ K _	126-127
MPSL- _ 156- _ _ -DFS- _ K _	140-141
MPSL- _ 156- _ _ -DR- _ K _	134-135
MPSL- _ 156- _ _ -DS- _ X9K _	128-129
MPSL- _ 156- _ _ -DS- _ K _	128-129
MPSL- _ 156- _ _ -DSE- _ K _	130-131
MPSL- _ 156- _ _ -DW- _ K _	134-135
MPSL- _ 156- _ _ -DW- _ KR _	138-139
MPSL- _ 156- _ _ -DWE- _ K _	136-137