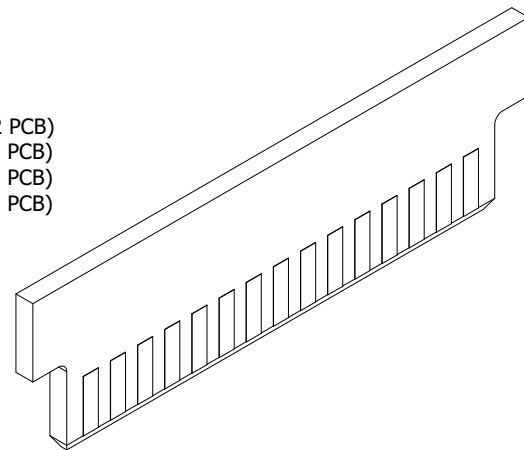
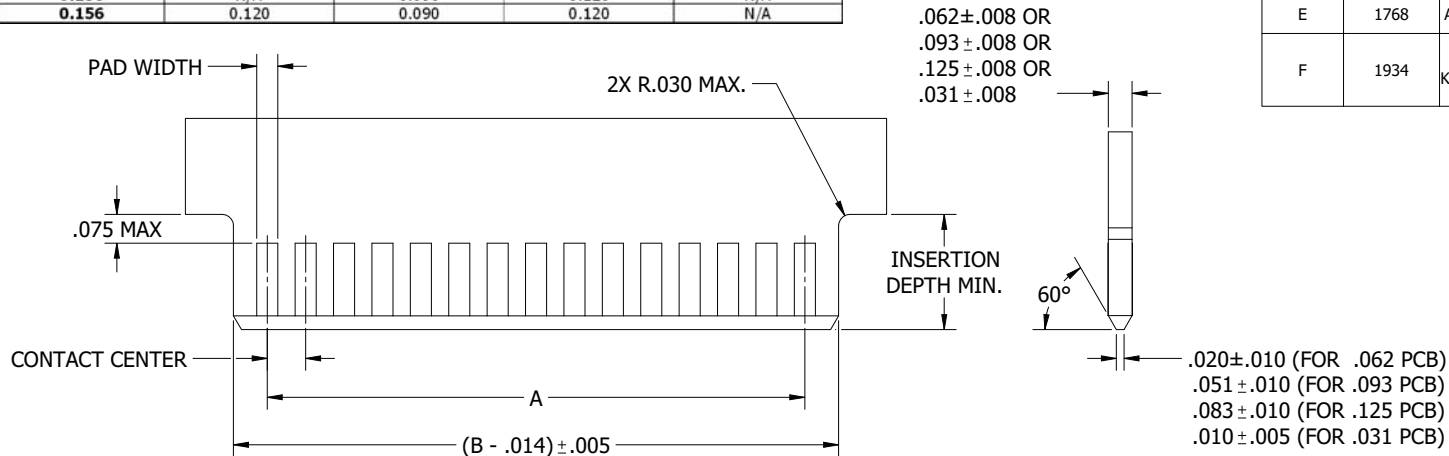


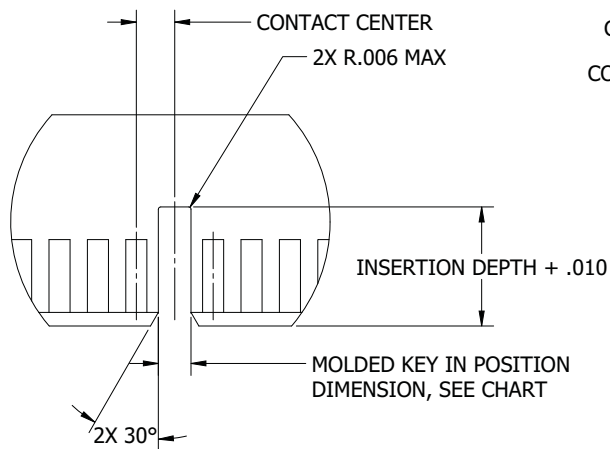
NOTE: REFER TO CATALOG FOR 'A' AND 'B' DIMENSIONS.

CONTACT CENTER (INCH)	MAXIMUM PAD WIDTH (INCH)			
	.431 BODY HEIGHT	.610 BODY HEIGHT	.720 BODY HEIGHT	.915 BODY HEIGHT
0.039	N/A	0.030	N/A	0.040
0.050	N/A	0.040	N/A	0.040
0.100	0.070	0.070	N/A	N/A
0.125	0.100	0.090	0.100	N/A
0.150	N/A	0.090	0.120	N/A
0.156	0.120	0.090	0.120	N/A

REVISIONS				
REV.	ECO. NO	DESCRIPTION	DATE	BY
A		INITIAL RELEASE	11/21/1994	NOP
B	105	UPDATED DRAWING	12/12/2003	AN
C	321	ADDED .030 MAX DIMENSION	6/16/2004	JFW
D	1647	ADD .039 CONTACT CENTER, REVISE DIM/TOL, WAS: .100 IS: .075, WAS: .062±.007 IS: .062±.008	3/27/2008	VJ
E	1768	ADDED NEW DIMENSION AND UPDATE NEW FORMAT	7/25/2008	IA
F	1934	EXTENDED THE PADS TO EDGE OF CHAMFER, DELETED .080 MAX DIMENSION, ADDED MOLDED KEY IN POSITIONS & BETWEEN DIM. TABLE, ADDED .031" & .125" PCB THICKNESS	3/19/2009	TT



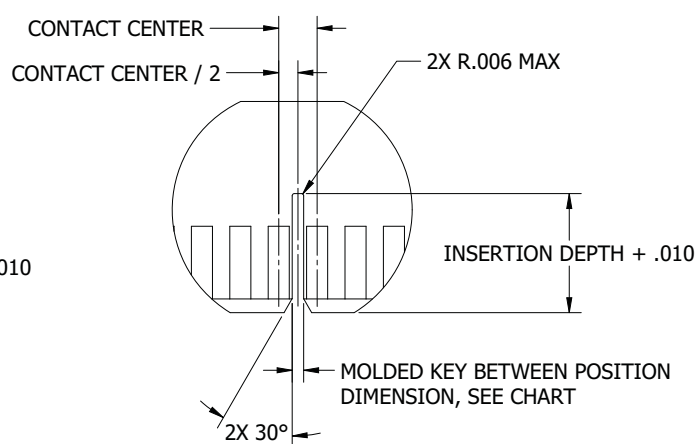
P/N'S CALLING OUT MOLDED KEY MODIFICATION



MOLDED KEY IN POSITION (ONLY) LAYOUT RECOMMEND

CONTACT CENTER (INCH)	MOLDED KEY IN POSITION DIMENSION	
	.431 BODY HEIGHT	.610 BODY HEIGHT
0.039	N/A	0.033
0.050	N/A	0.033
0.100	0.080	0.070
0.125	0.080	0.070
0.150	0.080	0.070
0.156	0.100	0.070

* PRESS FIT, .031" x .062" PINS, .045" SQ. PINS, HIGH PROFILE MBB, AND ALL OTHER CONNECTORS NOT LIST HERE PLEASE CONSULT FACTORY



MOLDED KEY BETWEEN (ONLY) LAYOUT RECOMMEND

CONTACT CENTER (INCH)	MOLDED KEY BETWEEN DIMENSION	
	.431 BODY HEIGHT	.610 BODY HEIGHT
0.039	N/A	0.022
0.050	N/A	0.033
0.100	0.040	0.050
0.125	0.065	0.075
0.150	0.040	0.048
0.156	0.042	0.048

* PRESS FIT, .031" x .062" PINS, .045" SQ. PINS, HIGH PROFILE MBB, AND ALL OTHER CONNECTORS NOT LIST HERE PLEASE CONSULT FACTORY



RoHS COMPLIANT

UNLESS OTHERWISE SPECIFIED:
 DIMENSIONS ARE IN INCHES[MM]
 TOLERANCES:
 ANGULAR: ± 30°
 PROPRIETARY INFORMATION OF SULLINS ELECTRONICS AND IS NOT TO BE REPRODUCED, USED OR DISCLOSED TO OTHERS FOR ANY PURPOSE EXCEPT AS SPECIFICALLY AUTHORIZED IN WRITING BY AN OFFICER OF SULLINS ELECTRONICS.
 XXXX ± .005 [.1270]
 .XXX ± .0005 [.0127]
 SURFACE FINISH: .63 Rq
 REMOVE ALL BURRS AND SHARP EDGES .010 MAX
 INTERPRET DIMENSIONS AND GEOMETRIC TOLERANCING PER: ANSI Y14.5M-1994

DRAWN	DATE	NAME
6/20/2007	MNH	

SULLINS CONNECTOR SOLUTIONS

DESCRIPTION: DAUGHTER CARD LAYOUT

PART NUMBER: N/A

SIZE DWG. NO. 900

SCALE: 4:1

REV F

SHEET 1 OF 1