

POSITIONS/ CONTACTS	A		B	
	INCH	MM	INCH	MM
02/04	0.079	2.00	0.177	4.50
03/06	0.157	4.00	0.256	6.50
04/08	0.236	6.00	0.335	8.50
05/10	0.315	8.00	0.413	10.50
06/12	0.394	10.00	0.492	12.50
07/14	0.472	12.00	0.571	14.50
08/16	0.551	14.00	0.650	16.50
09/18	0.630	16.00	0.728	18.50
10/20	0.709	18.00	0.807	20.50
11/22	0.787	20.00	0.886	22.50
12/24	0.866	22.00	0.965	24.50
13/26	0.945	24.00	1.043	26.50
14/28	1.024	26.00	1.122	28.50
15/30	1.102	28.00	1.201	30.50
16/32	1.181	30.00	1.280	32.50
17/34	1.260	32.00	1.358	34.50
18/36	1.339	34.00	1.437	36.50
19/38	1.417	36.00	1.516	38.50
20/40	1.496	38.00	1.594	40.50
21/42	1.575	40.00	1.673	42.50
22/44	1.654	42.00	1.752	44.50
23/46	1.732	44.00	1.831	46.50
24/48	1.811	46.00	1.909	48.50
25/50	1.890	48.00	1.988	50.50
26/52	1.969	50.00	2.067	52.50
27/54	2.047	52.00	2.146	54.50
28/56	2.126	54.00	2.224	56.50
29/58	2.205	56.00	2.303	58.50
30/60	2.283	58.00	2.382	60.50
31/62	2.362	60.00	2.461	62.50
32/64	2.441	62.00	2.539	64.50
33/66	2.520	64.00	2.618	66.50
34/68	2.598	66.00	2.697	68.50
35/70	2.677	68.00	2.776	70.50
36/72	2.756	70.00	2.854	72.50
37/74	2.835	72.00	2.933	74.50
38/76	2.913	74.00	3.012	76.50
39/78	2.992	76.00	3.091	78.50
40/80	3.071	78.00	3.169	80.50

PART NUMBER CODING

NPPNxx2AFCN-RC

NUMBER OF POSITIONS

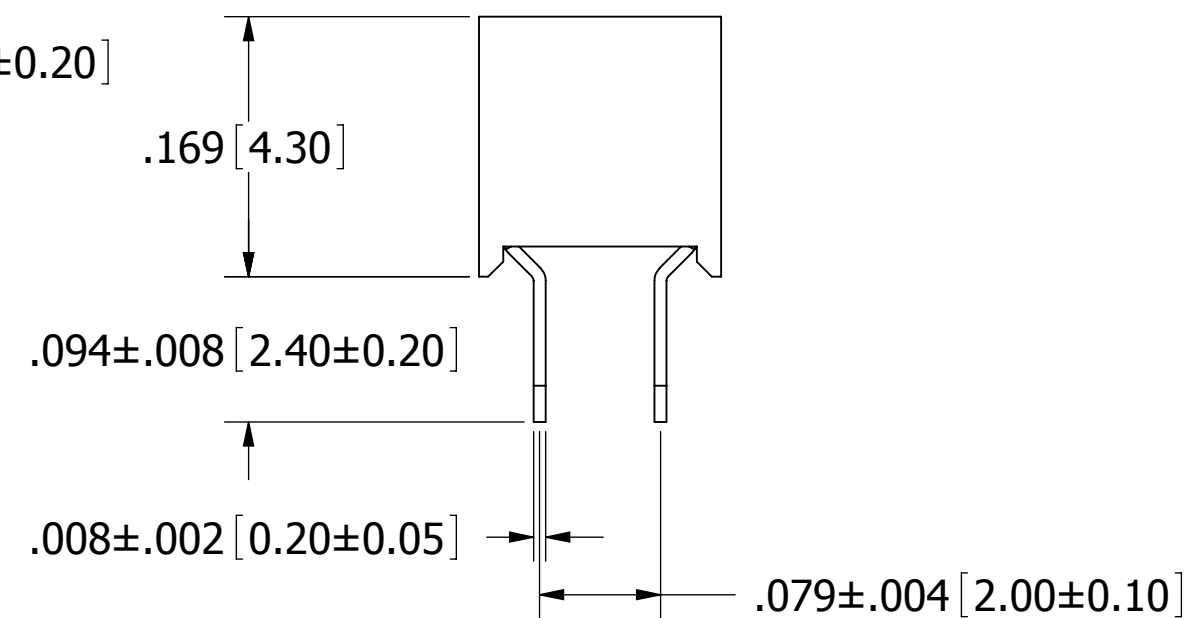
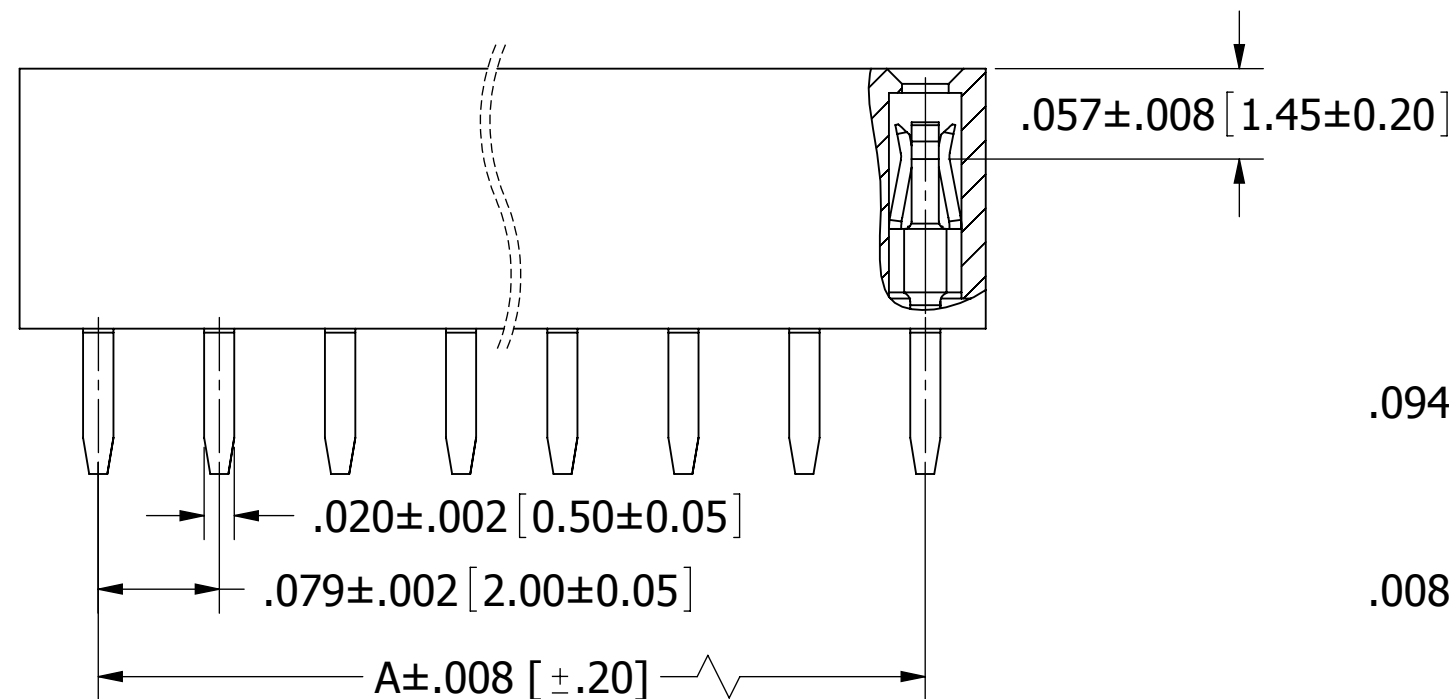
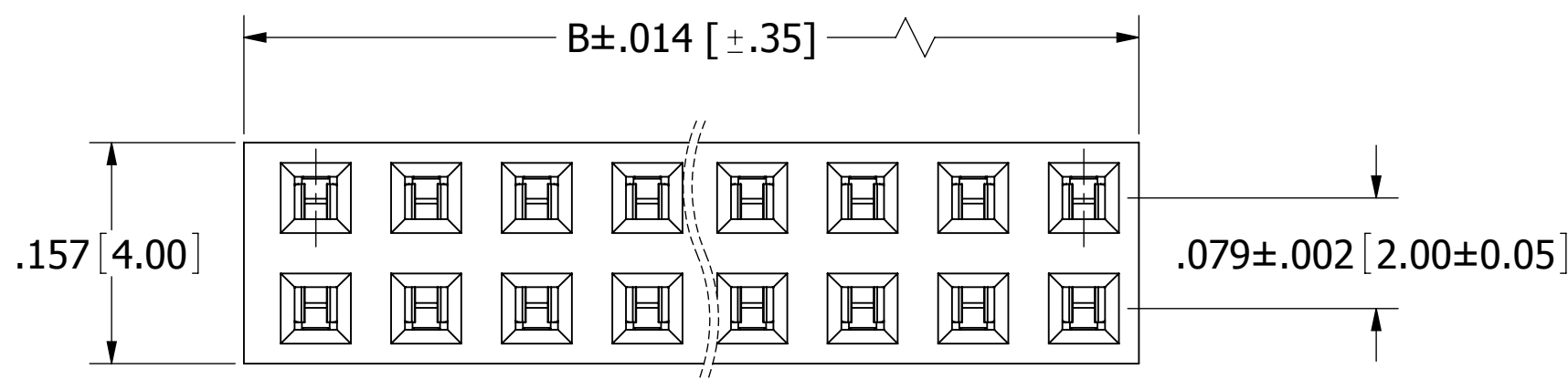
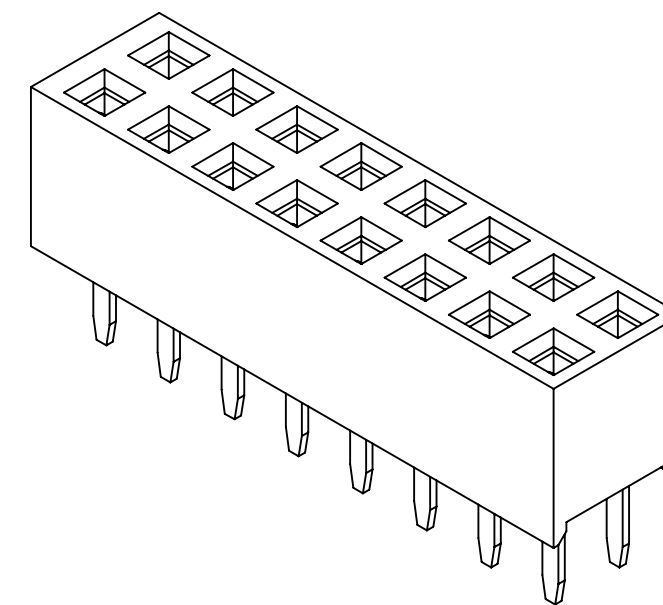
(CONTACTS PER ROW, 2 THRU 40)

INSULATOR MATERIAL

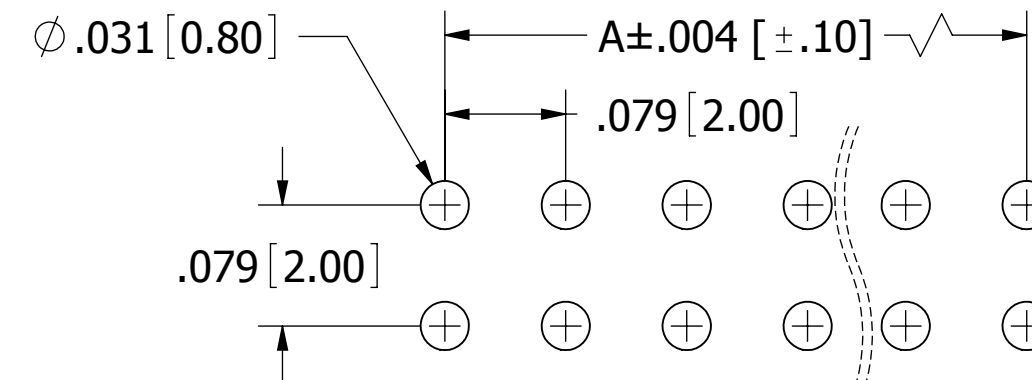
N = NYLON 6T, UL 94V-0.

P = OBSOLETE, REPLACE WITH N.

REVISIONS				
REV.	ECO. NO	DESCRIPTION	DATE	BY
A	649	INITIAL RELEASE	6/16/2005	TT
B	724	B DIM .5mm LONGER, INSULATOR FROM 4.0 TO 4.3 mm	9/2/2005	TT
C	1126	UPDATE SPECIFICATIONS	9/12/2005	MV
D	1811	ADD POSI. 2, UPDATE P/N CODING, TOLERANCE BLOCK	1/09/09	JH



02-20, 0.20mm MAX.
21-40, 0.30mm MAX.

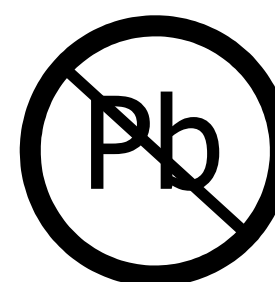


RECOMMENDED PCB LAYOUT

NOTES:

- INSULATOR MATERIAL: SEE PART NUMBER CODING.
- CONTACT MATERIAL: PHOSPHOR BRONZE.
- CONTACT PLATING: GOLD FLASH OVERALL.
- CURRENT RATING: 1 AMP.
- INSULATOR RESISTANCE: 5000 MEGOHMS MIN.
- CONTACT RESISTANCE: 20 MILLIOHMS MAX.
- DIELECTRIC WITHSTANDING: AC 500V.
- OPERATING TEMPERATURE: -40° C TO +105° C.
- *PROCESSING TEMP.: 260° C FOR 10 SECS MAX.

*INDICATED TEMPERATURE AND TIME IS FOR COMPONENT INSULATOR. HIGHER PROCESSING TEMPERATURES MAY BE USED, PROVIDED HEAT IS APPLIED FROM BACK SIDE OF PCB, AND INSULATOR DOES NOT EXCEED INDICATED TEMPERATURE AND TIME.



RoHS COMPLIANT

UNLESS OTHERWISE SPECIFIED:
DIMENSIONS ARE IN INCHES[MM]
TOLERANCES:
ANGULAR: ± 5°
.X = ± .012 [.30]
.XX = ± .008 [.20]
.XXX = ± .006 [.15]
SURFACE FINISH: 63 R_a
REMOVE ALL BURRS AND SHARP EDGES .010 MAX

DATE	NAME
1/10/09	JH

THE INFORMATION HEREIN CONTAINS PROPRIETARY INFORMATION OF SULLINS ELECTRONICS AND IS NOT TO BE REPRODUCED, USED OR DISCLOSED TO OTHERS FOR ANY PURPOSE EXCEPT AS SPECIFICALLY AUTHORIZED IN WRITING BY AN OFFICER OF SULLINS ELECTRONICS.



DESCRIPTION	PART NUMBER	SIZE	DWG. NO.	REV
HEADER, FEMALE 2mm CC, 2 ROWS, ST	NPPNxx2AFCN-RC	C	10497	D

SCALE: 12:1 SHEET 1 OF 1