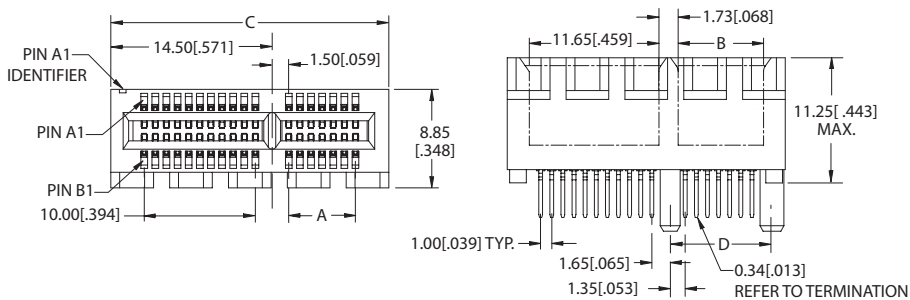


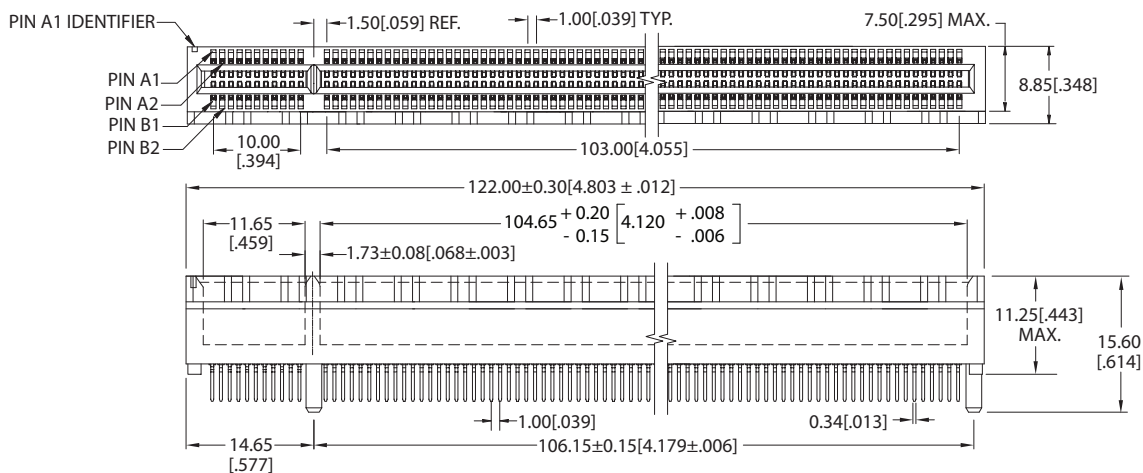


### DIMENSIONS Dimensions in [ ] are in inches, all others are in millimeters.

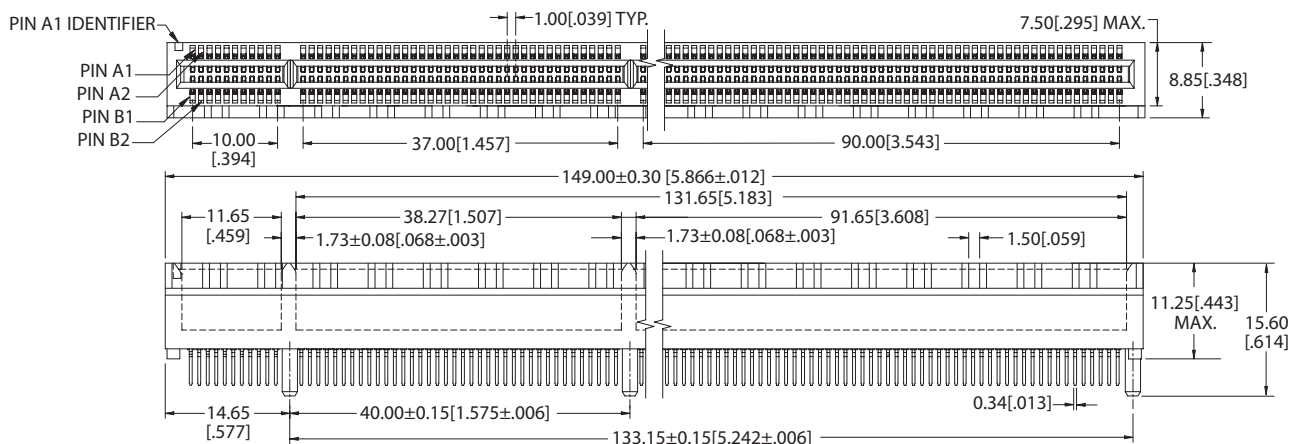


**18/36, 32/64, 49/98, 82/164 POSITION, STAGGERED DIP SOLDER (HH)**

POSITIONS/ CONTACTS	MILLIMETERS				INCHES			
	A±0.15	B+0.20/-0.15	C±0.30	D±0.10	A±0.006	B+0.008/-0.006	C±0.012	D±0.004
18/36	6.00	7.65	25.00	9.15	0.236	0.301	0.984	0.360
32/64	20.00	21.65	39.00	23.15	0.787	0.852	1.535	0.911
49/98	37.00	38.65	56.00	40.15	1.457	1.522	2.205	1.581
82/164	70.00	71.65	89.00	73.15	2.756	2.821	3.504	2.880



**115/230 POSITION, STAGGERED DIP SOLDER (HH)**



**140/280 POSITION, STAGGERED DIP SOLDER (HH)**



### PART NUMBER OPTIONS

#### MATERIALS (INSULATOR/CONTACT)

G = Nylon/Phosphor Bronze

#### CONTACT FINISH - RoHS Compliant

All platings are Lead Free and have .000050" Nickel underplate

#### Contact Surface

B = .000010" Gold

C = .000030" Gold

W = Gold Flash

#### Termination

.000100" Pure Tin, Matte

.000100" Pure Tin, Matte

.000100" Pure Tin, Matte

#### CONTACT CENTERS

E = 1 mm [.039"]

#### NUMBER OF CONTACT POSITIONS

18, 32, 49, 82, 115, 140

#### READOUT

D = Dual

G B E 18 D HH N -T9 2 1

#### COLOR

1 = Black

Consult factory for alternate colors

#### TAIL LENGTH

1 = 2.30 mm [.091"]

2 = 2.54 mm [.100"]

3 = 3.10 mm [.122"]

#### MODIFICATION CODE

T7 = Gen 3

T9 = Gen 1

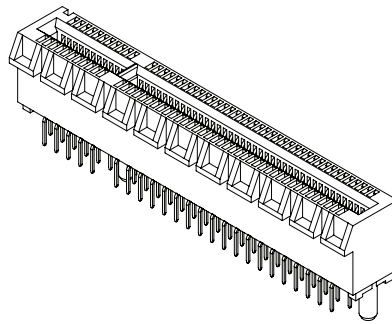
#### MOUNTING STYLE

N = No Mounting

#### TERMINATION TYPE

HH = Staggered Dip Solder

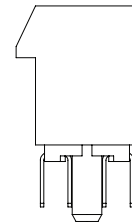
Operating & Processing Temperature: Consult Factory



### SPECIFICATIONS

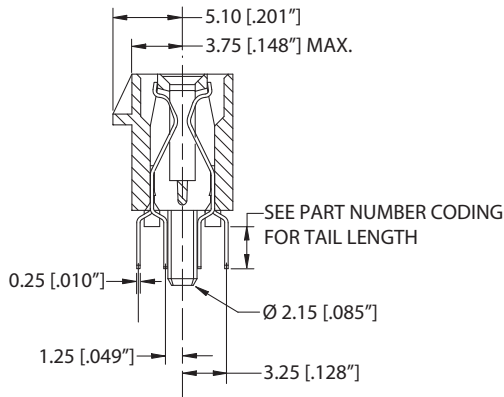
- All PCI Express parts meet the latest PCI Express specifications
- Supports 2.5 GT/s, 5.0 GT/s or 8.0 GT/s Data Transfer Rate (per pair data bandwidth)
- Accommodates 1.57 mm [.062"] PC board
- 1.1 Amp current rating per contact
- UL Flammability Rating: 94V-0

#### READOUT



DUAL (D)

#### TERMINATION TYPE



Staggered Dip Solder (HH)

#### MOUNTING STYLE



No Mounting Ears (N)